



US00D730337S

(12) **United States Design Patent**
Kim

(10) **Patent No.:** **US D730,337 S**

(45) **Date of Patent:** **** May 26, 2015**

(54) **MOBILE PHONE**

(71) Applicant: **Samsung Electronics Co., Ltd.**,
Suwon-si (KR)

(72) Inventor: **Kuk-Hwan Kim**, Seoul (KR)

(73) Assignee: **Samsung Electronics Co., Ltd.**,
Suwon-si (KR)

(**) Term: **14 Years**

(21) Appl. No.: **29/464,811**

(22) Filed: **Aug. 21, 2013**

(30) **Foreign Application Priority Data**

Feb. 21, 2013 (KR) 30-2013-0008947

(51) **LOC (10) Cl.** **14-03**

(52) **U.S. Cl.**
USPC **D14/248**

(58) **Field of Classification Search**

CPC H04R 2499/11; H04R 1/2811; H04R 1/00
USPC D14/138, 138 A, 138 R, 138 G, 138 AD,
D14/138 AC, 496, 248, 218, 439, 434, 250,
D14/191, 138 C, 138 AA, 138 AB,
D14/203.1-203.8, 238.1, 247, 137,
D14/341-347, 440; D18/7; D21/517, 333;
D10/65, 78, 104.1; D13/168, 107-108,
D13/119; 455/575, 1, 556.2, 575.3, 575.4;
361/679.3, 679.56; 379/433.01, 433.04
See application file for complete search history.

(56) **References Cited**

U.S. PATENT DOCUMENTS

D451,102 S * 11/2001 Huang D14/496
D494,168 S * 8/2004 Hammond et al. D14/346
D521,993 S * 5/2006 Pletikosa et al. D14/346

D545,305 S * 6/2007 Mulcahy et al. D14/346
D546,349 S * 7/2007 Lee et al. D14/496
D546,837 S * 7/2007 Yeo D14/496
D548,735 S * 8/2007 Tang D14/343
D550,664 S * 9/2007 Leung D14/346
D654,888 S * 2/2012 Chung D14/138 G
D665,761 S * 8/2012 Russo D14/138 G

* cited by examiner

Primary Examiner — Carl Jobe Wright

Assistant Examiner — Holly E Thurman

(74) *Attorney, Agent, or Firm* — NSIP Law

(57) **CLAIM**

The ornamental design for a mobile phone, as shown and described.

DESCRIPTION

FIG. 1 is a front perspective view of a mobile phone showing my new design;

FIG. 2 is a front view thereof;

FIG. 3 is a rear view thereof;

FIG. 4 is a left-side view thereof;

FIG. 5 is a right-side view thereof;

FIG. 6 is a top view thereof;

FIG. 7 is a bottom view thereof;

FIG. 8 is an enlarged view of the encircled portion shown in FIG. 1; and,

FIG. 9 is an enlarged view of the encircled portion show in FIG. 4.

The contours of the claimed right side portion shown in FIGS. 3 and 5 are a mirror image of the contours of the claimed left side portion shown in FIGS. 1, 3, 4, 8, and 9.

The dash-dash broken lines depict unclaimed portions of the mobile phone only and form no part of the claimed design.

The dot-dash broken lines in FIGS. 1, 4, 8, and 9 indicate portions of the claimed design shown on an enlarged scale in FIGS. 8 and 9.

1 Claim, 6 Drawing Sheets

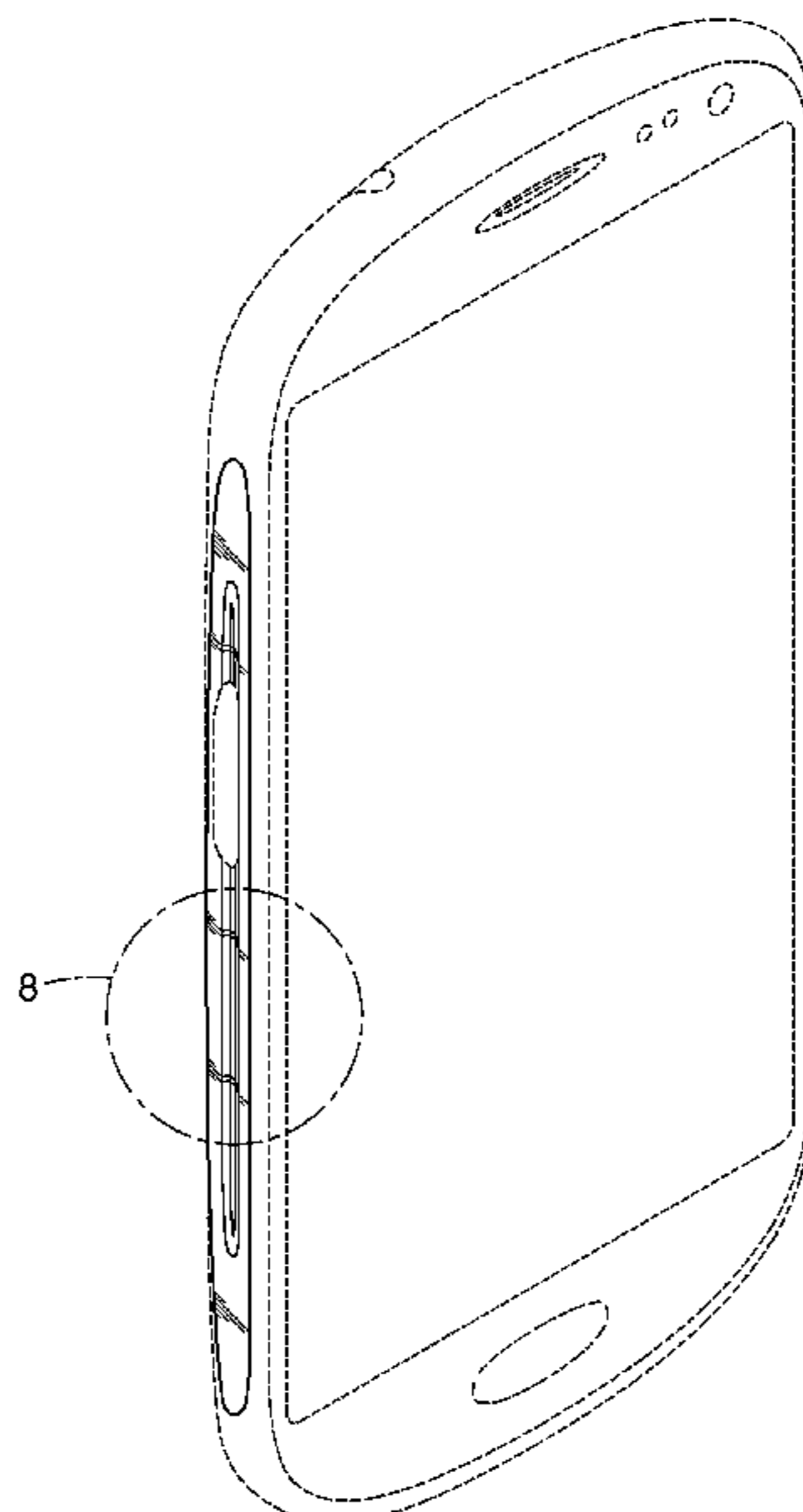


FIG. 1

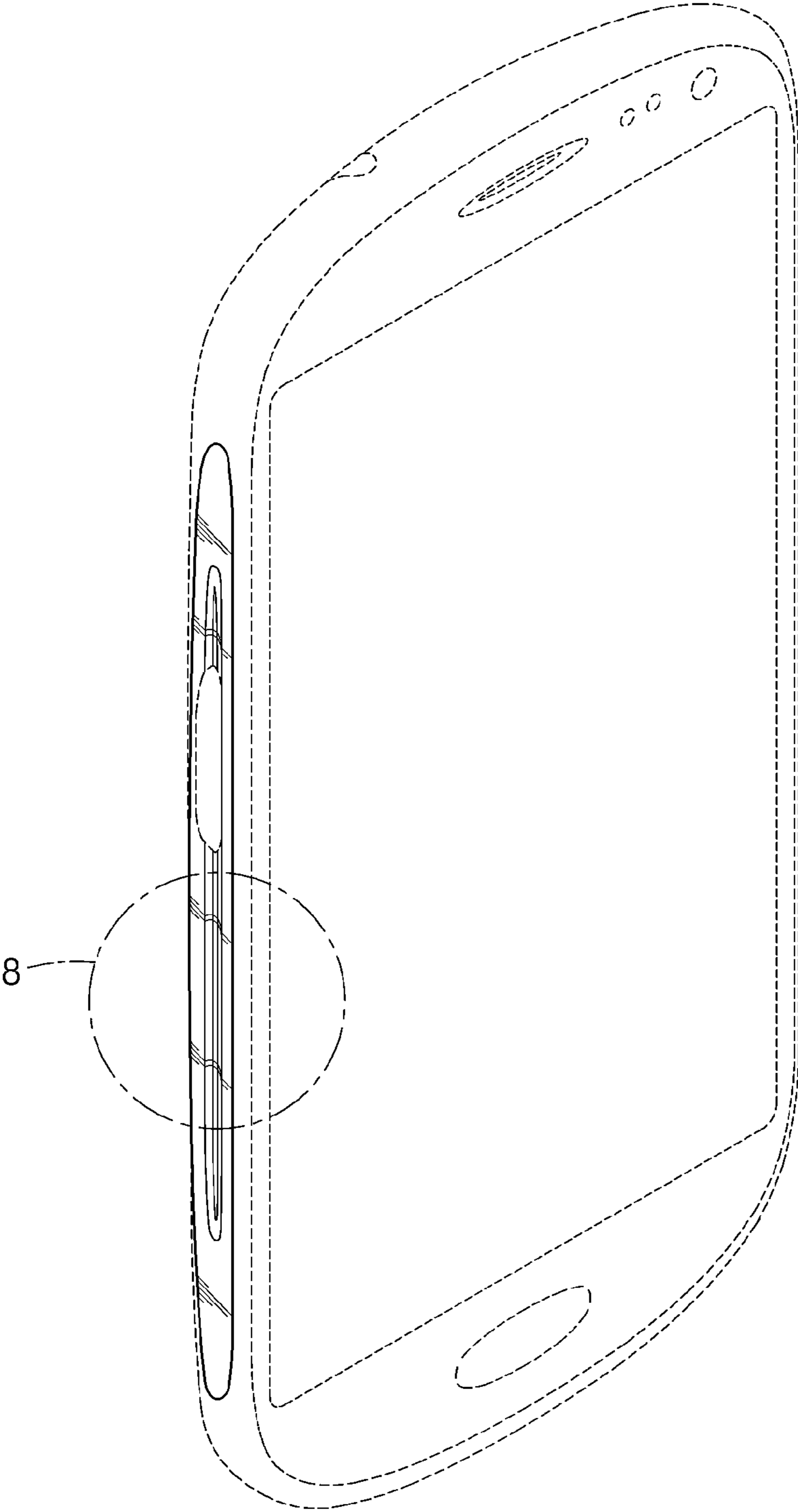


FIG.2

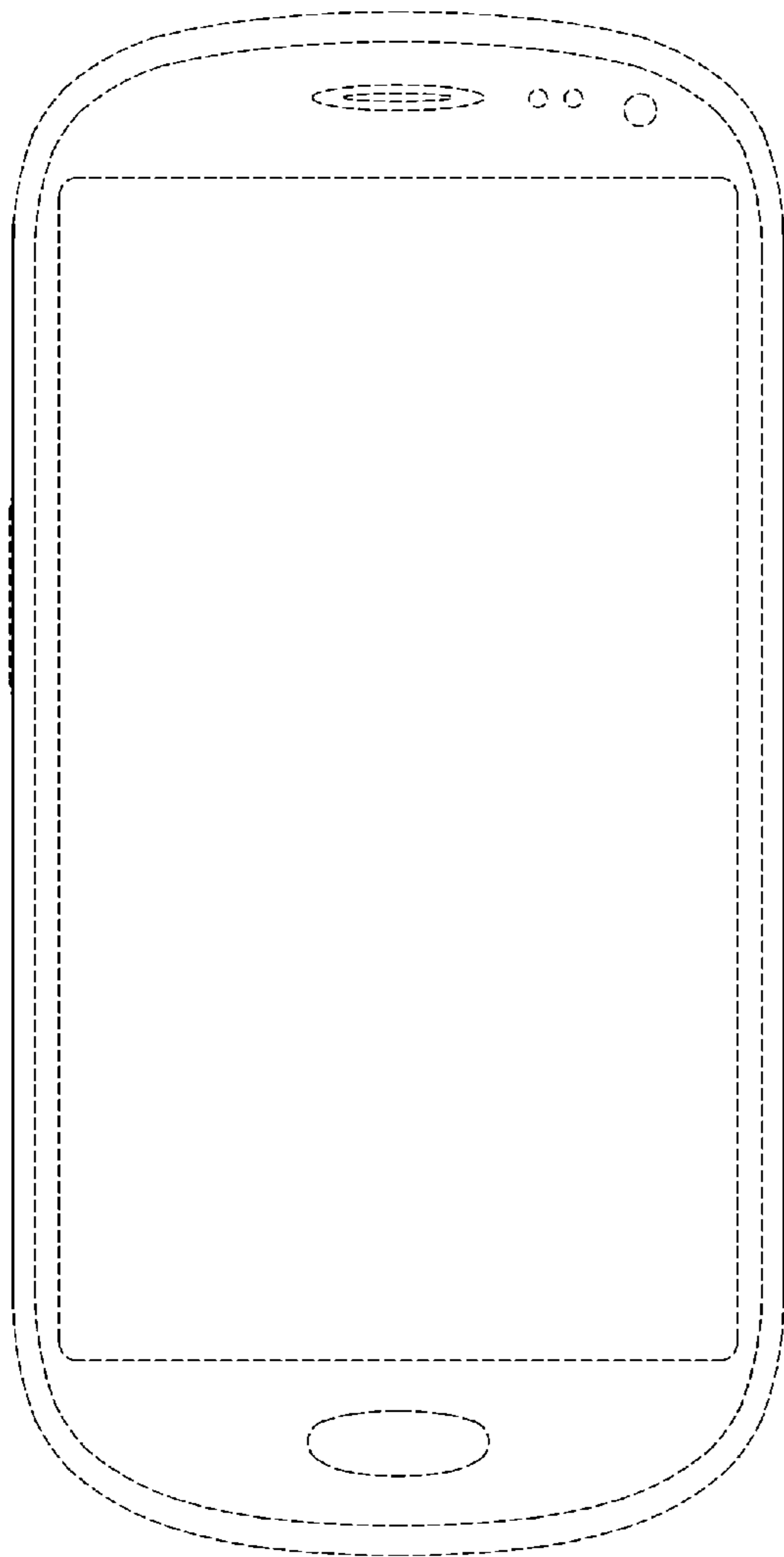


FIG.3

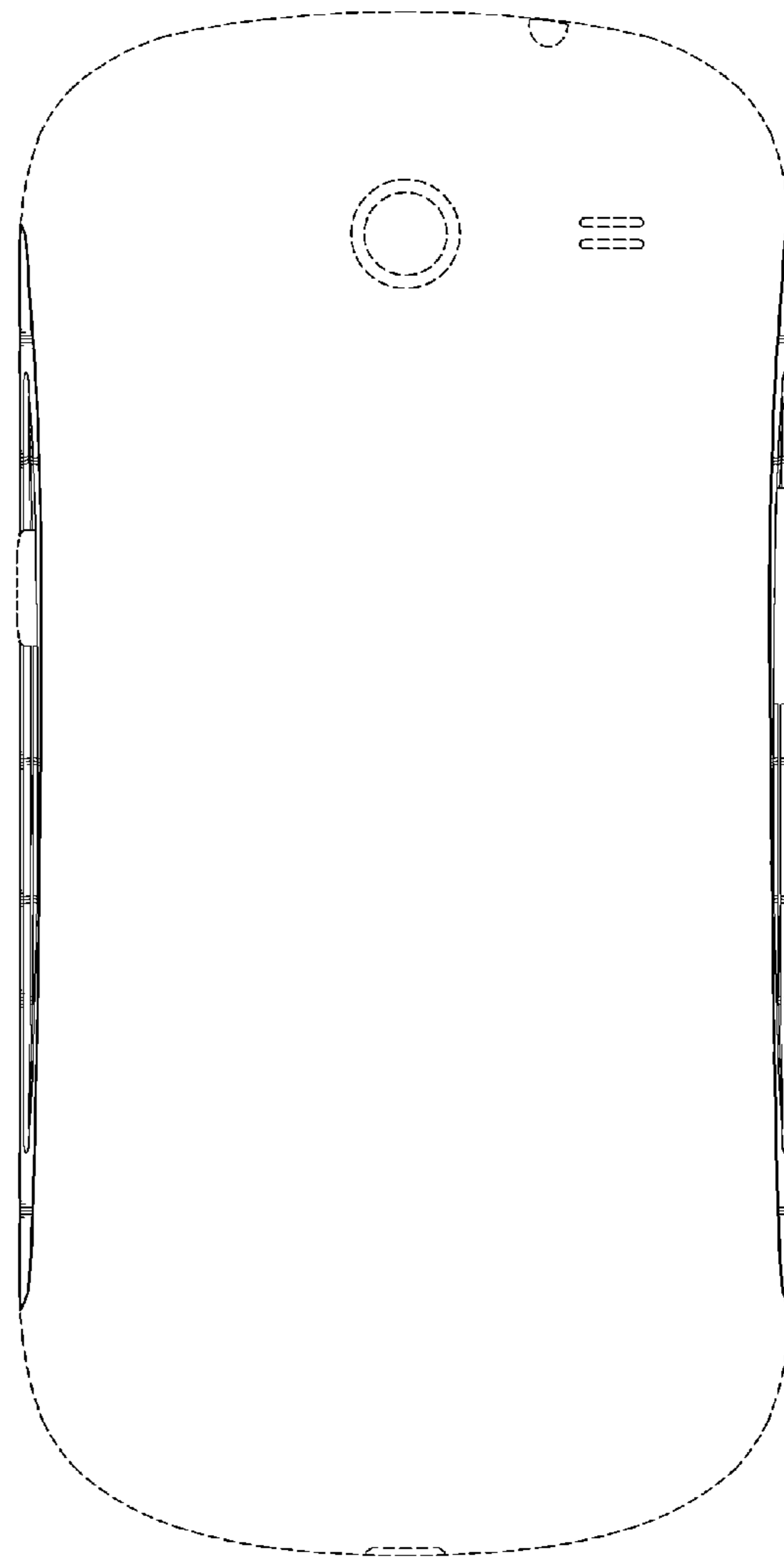


FIG. 4

FIG. 5

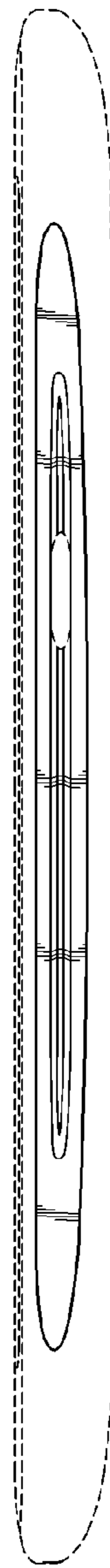
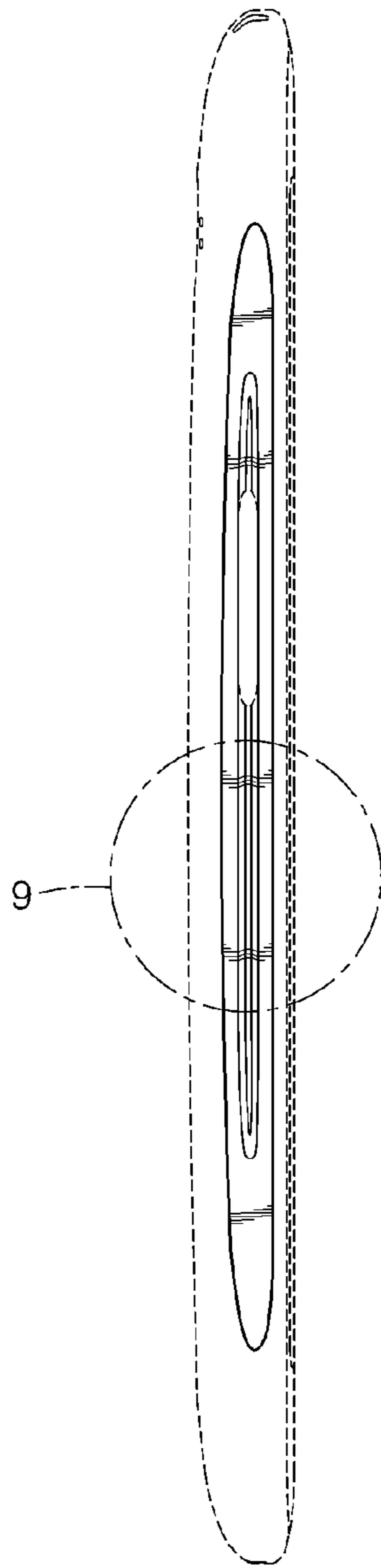


FIG. 6



FIG. 7

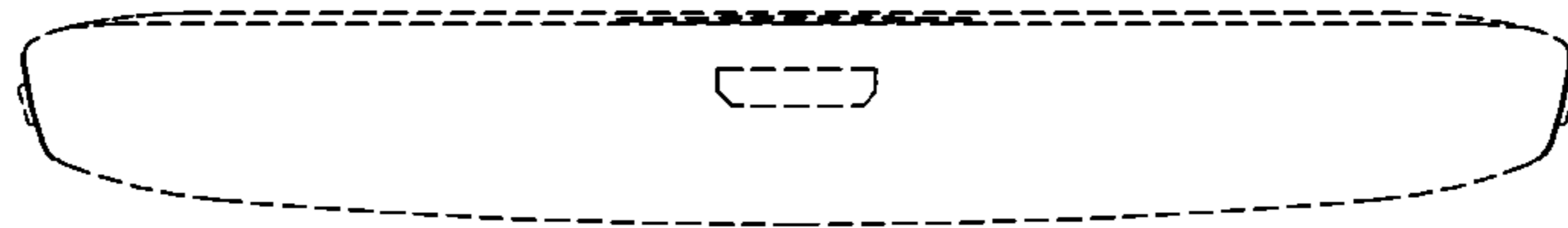


FIG. 8

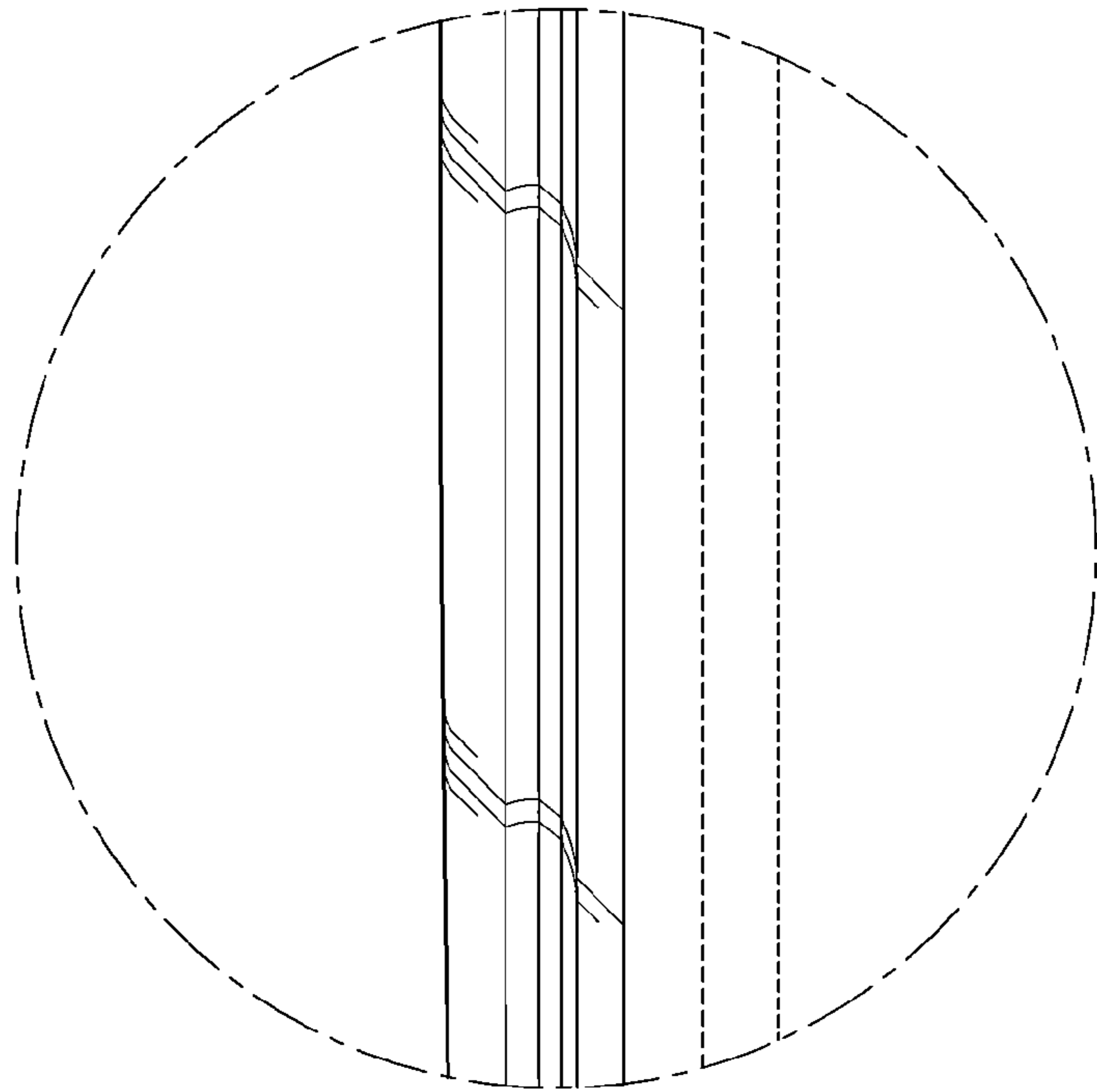


FIG. 9

