



US00D730333S

(12) **United States Design Patent**
Matsumoto

(10) **Patent No.:** **US D730,333 S**

(45) **Date of Patent:** **** May 26, 2015**

(54) **WIRELESS COMMUNICATION REPEATER**

(56)

References Cited

(71) Applicant: **NEC CORPORATION**, Minato-ku,
Tokyo (JP)

(72) Inventor: **Kazuya Matsumoto**, Tokyo (JP)

(73) Assignee: **NEC CORPORATION**, Tokyo (JP)

(**) Term: **14 Years**

(21) Appl. No.: **29/459,831**

(22) Filed: **Jul. 3, 2013**

(30) **Foreign Application Priority Data**

Jan. 23, 2013 (JP) 2013-001118

(51) **LOC (10) Cl.** **14-03**

(52) **U.S. Cl.**
USPC **D14/240**

(58) **Field of Classification Search**

CPC H04L 12/00; H03K 17/00; H04W 88/00;
H04W 88/005; H04W 88/02; H04W 88/08;
H04W 88/085; H04W 88/10; H04W 88/12;
H04W 88/14; H04B 1/38
USPC D14/242, 240, 357, 358, 140-140.9,
D14/155, 137, 139, 243, 348, 349, 351, 354,
D14/355; 375/222; 455/557; 725/111

See application file for complete search history.

U.S. PATENT DOCUMENTS

D370,011	S	*	5/1996	Lindeman	D14/137
D416,873	S	*	11/1999	Korsunsky et al.	D14/140.5
D422,999	S	*	4/2000	Overton et al.	D14/137
D609,221	S	*	2/2010	Kim et al.	D14/218
D640,692	S	*	6/2011	Waisman-Diamond	D14/358
D641,740	S	*	7/2011	Jeon et al.	D14/240
D644,221	S	*	8/2011	Kemery et al.	D14/358
D651,200	S	*	12/2011	Sugime et al.	D14/240
D660,828	S	*	5/2012	Petsch	D14/240
D695,727	S	*	12/2013	Shimizu	D14/240
D705,748	S	*	5/2014	He	D14/155
D711,359	S	*	8/2014	Marzynski et al.	D14/240
2004/0110469	A1	*	6/2004	Judd et al.	455/15

* cited by examiner

Primary Examiner — Bridget L Eland

(74) *Attorney, Agent, or Firm* — Sughrue Mion, PLLC

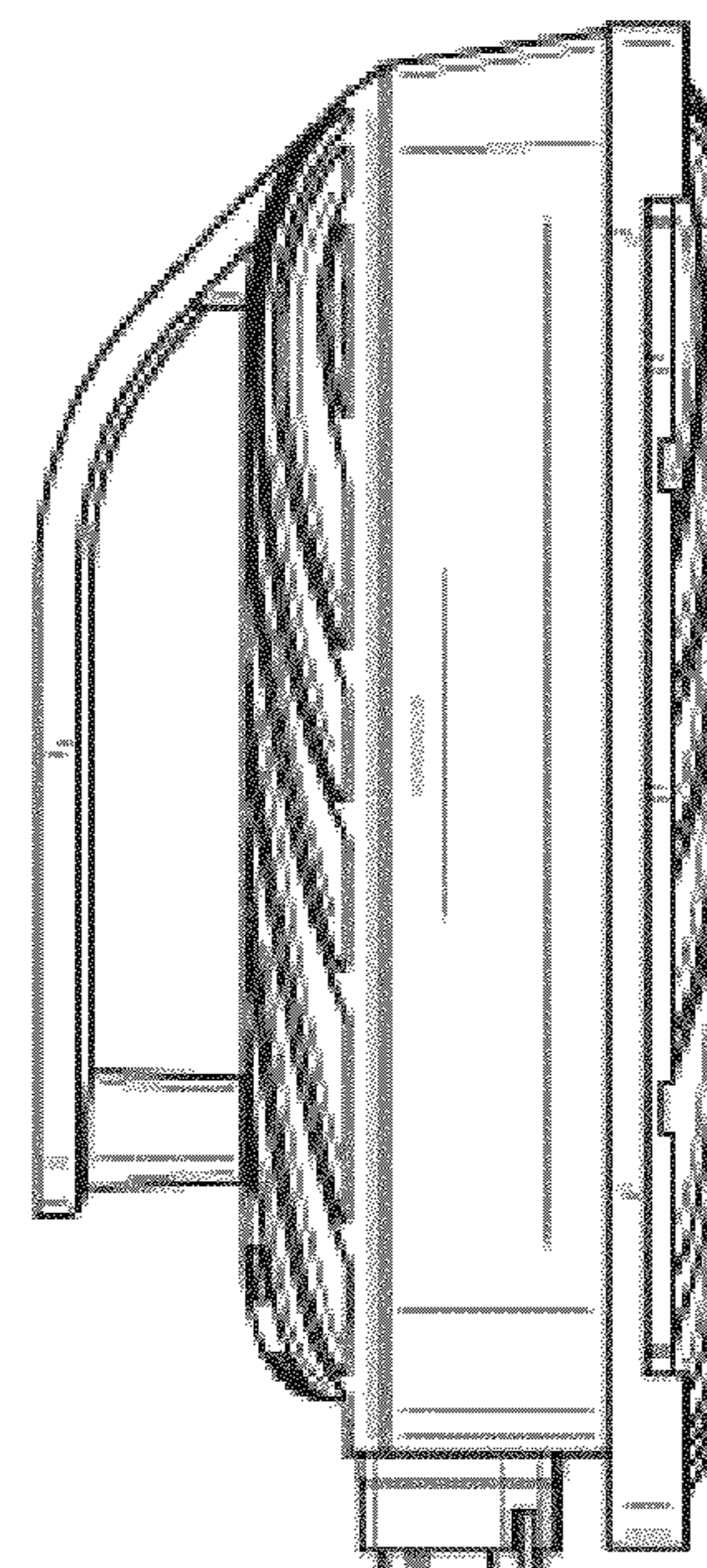
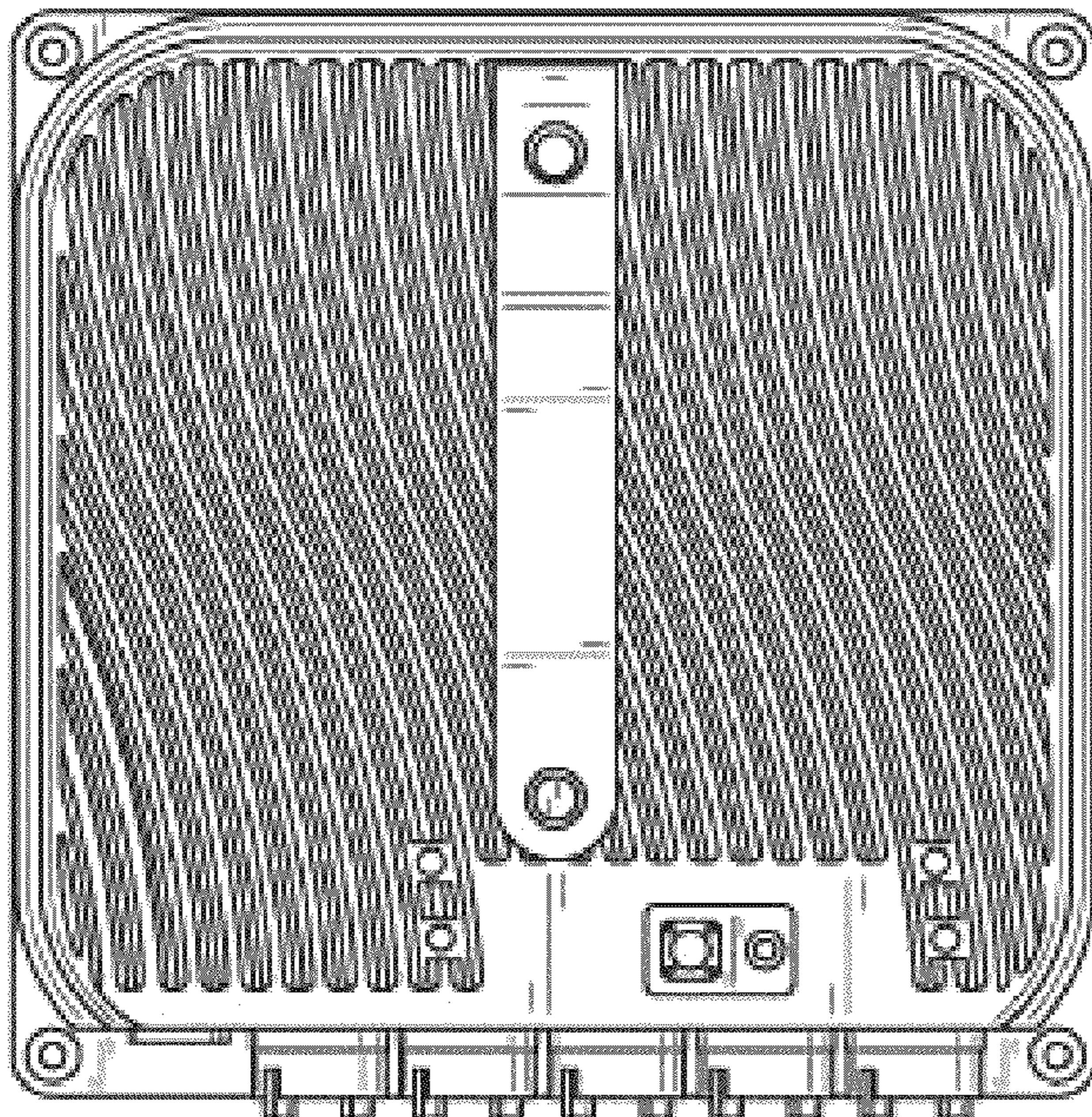
(57) **CLAIM**

The ornamental design for a wireless communication repeater, as shown and described.

DESCRIPTION

FIG. 1 is a perspective view of a wireless communication repeater showing my new design;
FIG. 2 is a front view thereof;
FIG. 3 is a rear view thereof;
FIG. 4 is a left side view thereof;
FIG. 5 is a right side view thereof;
FIG. 6 is a top plan view thereof; and,
FIG. 7 is a bottom plan view thereof.
The broken lines shown in the views are included for the purpose of illustrating portions of the wireless communication repeater that form no part of the claimed design.

1 Claim, 7 Drawing Sheets



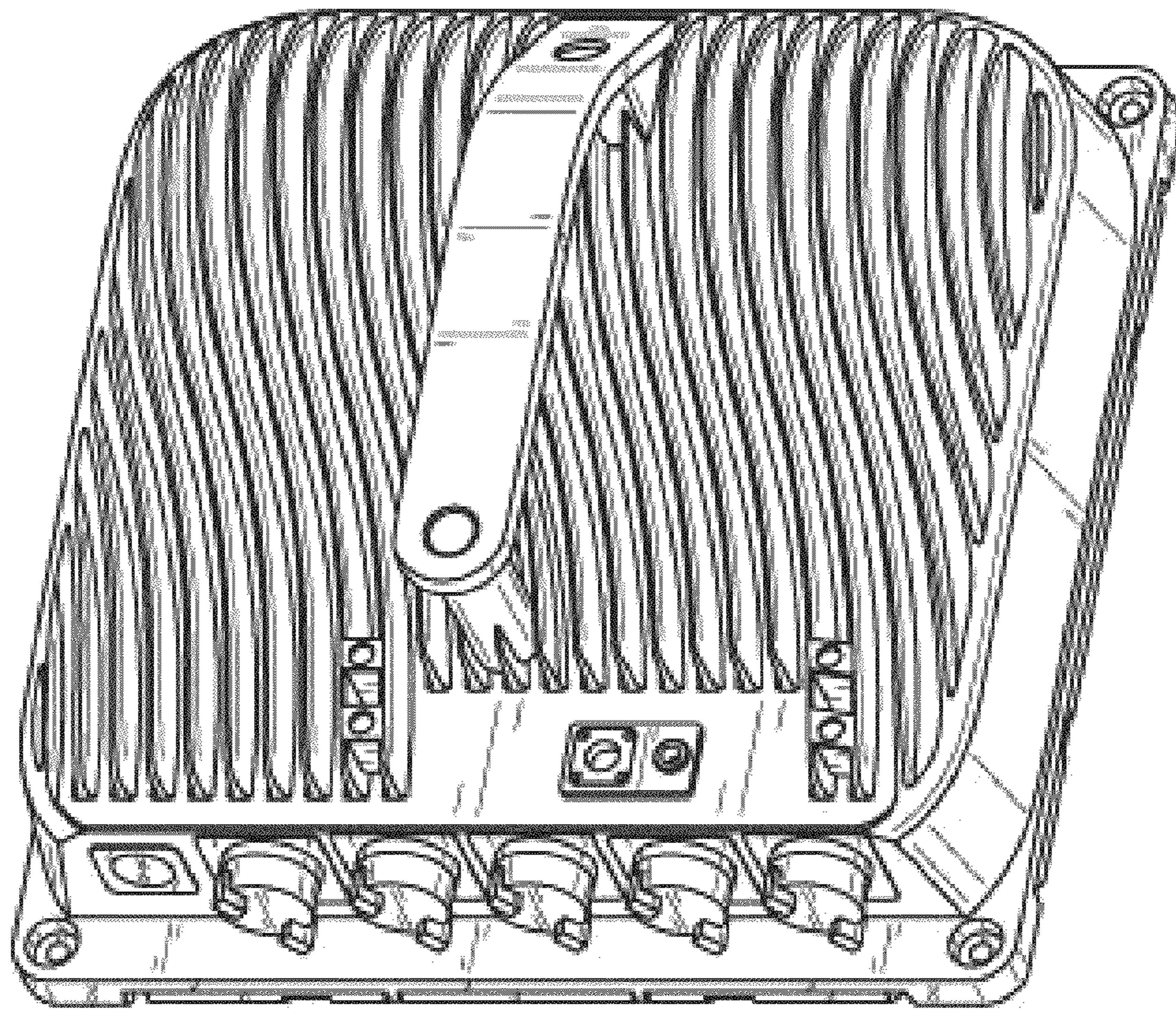


FIG. 1

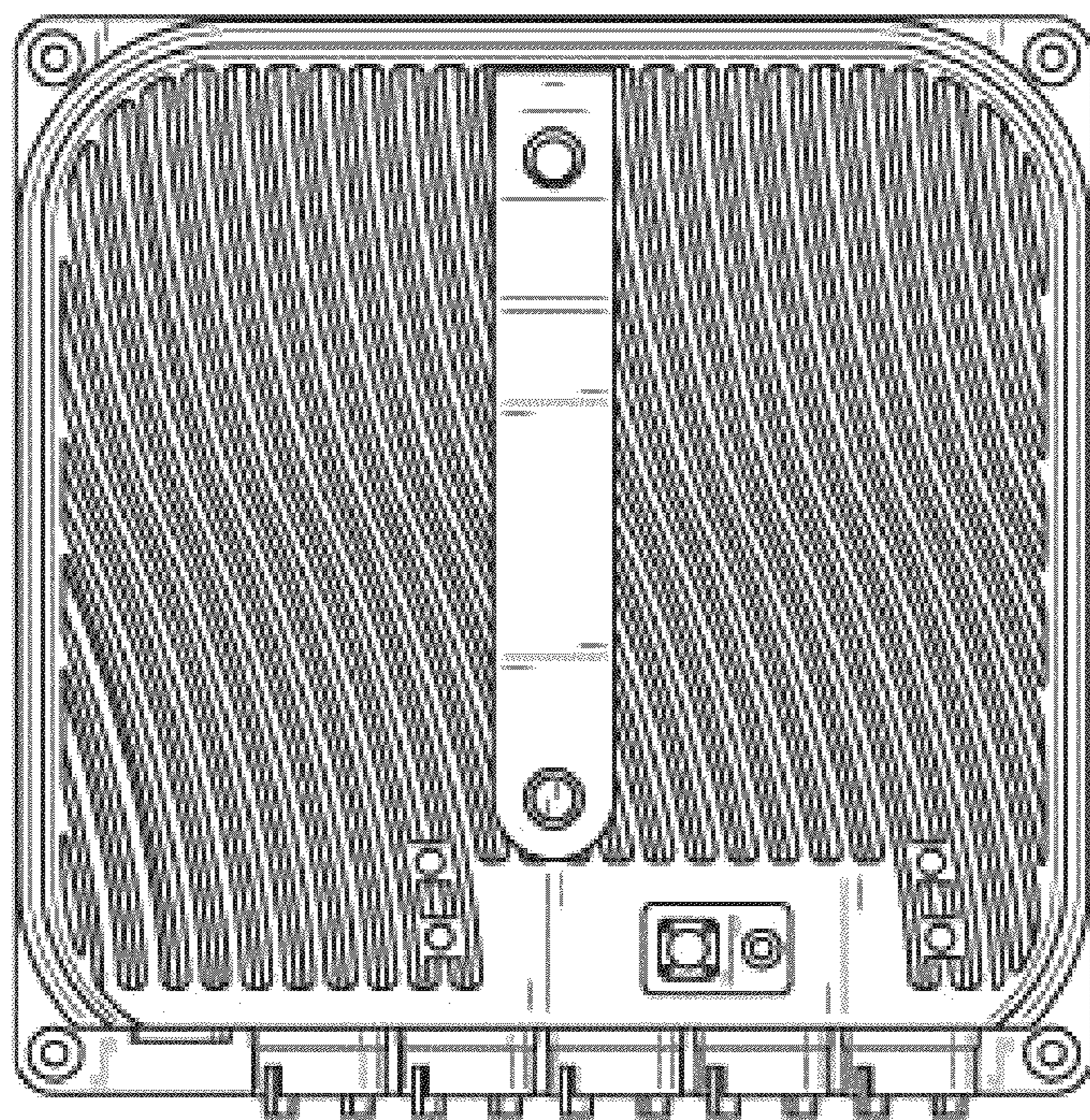


FIG. 2

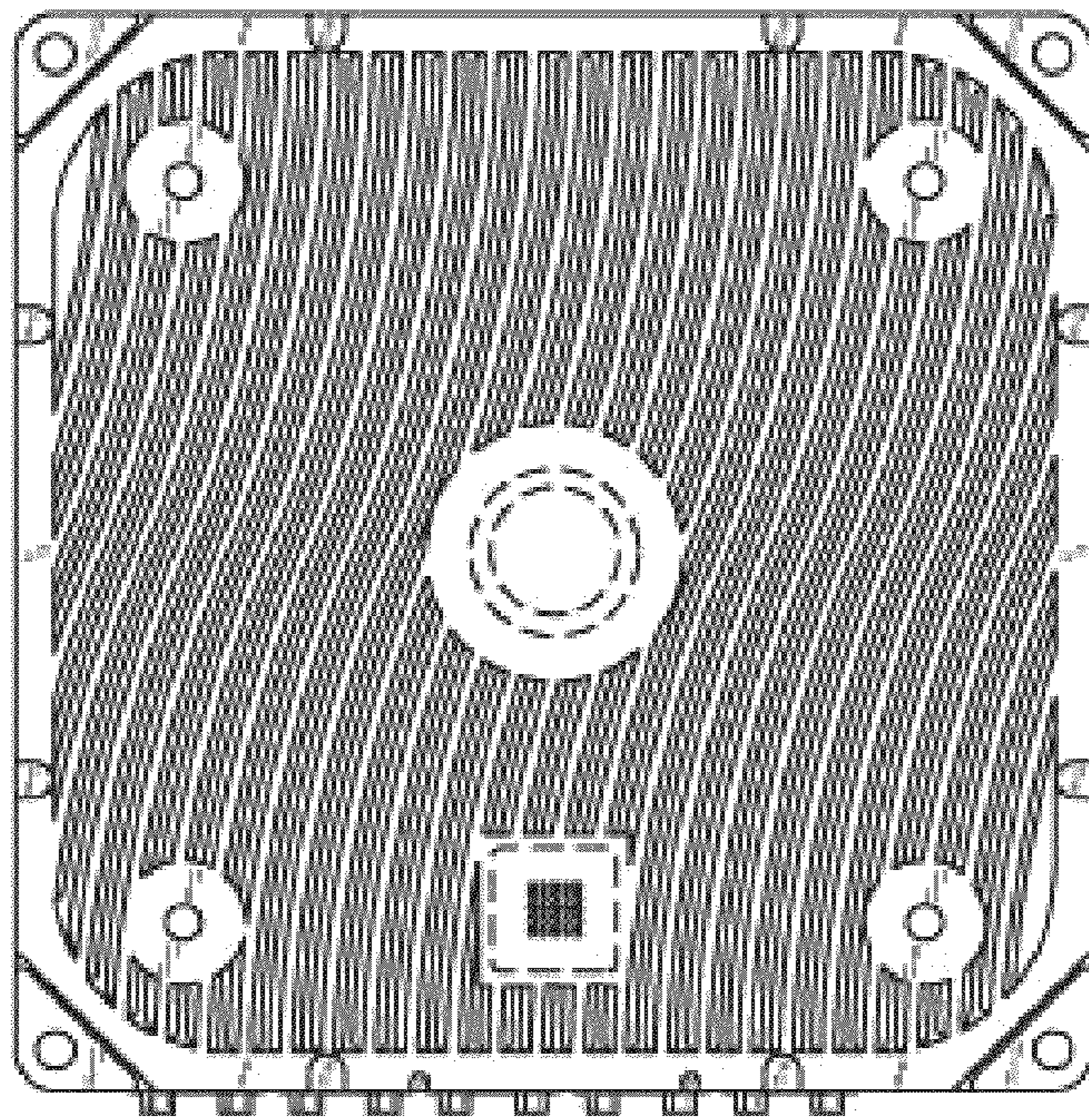


FIG. 3

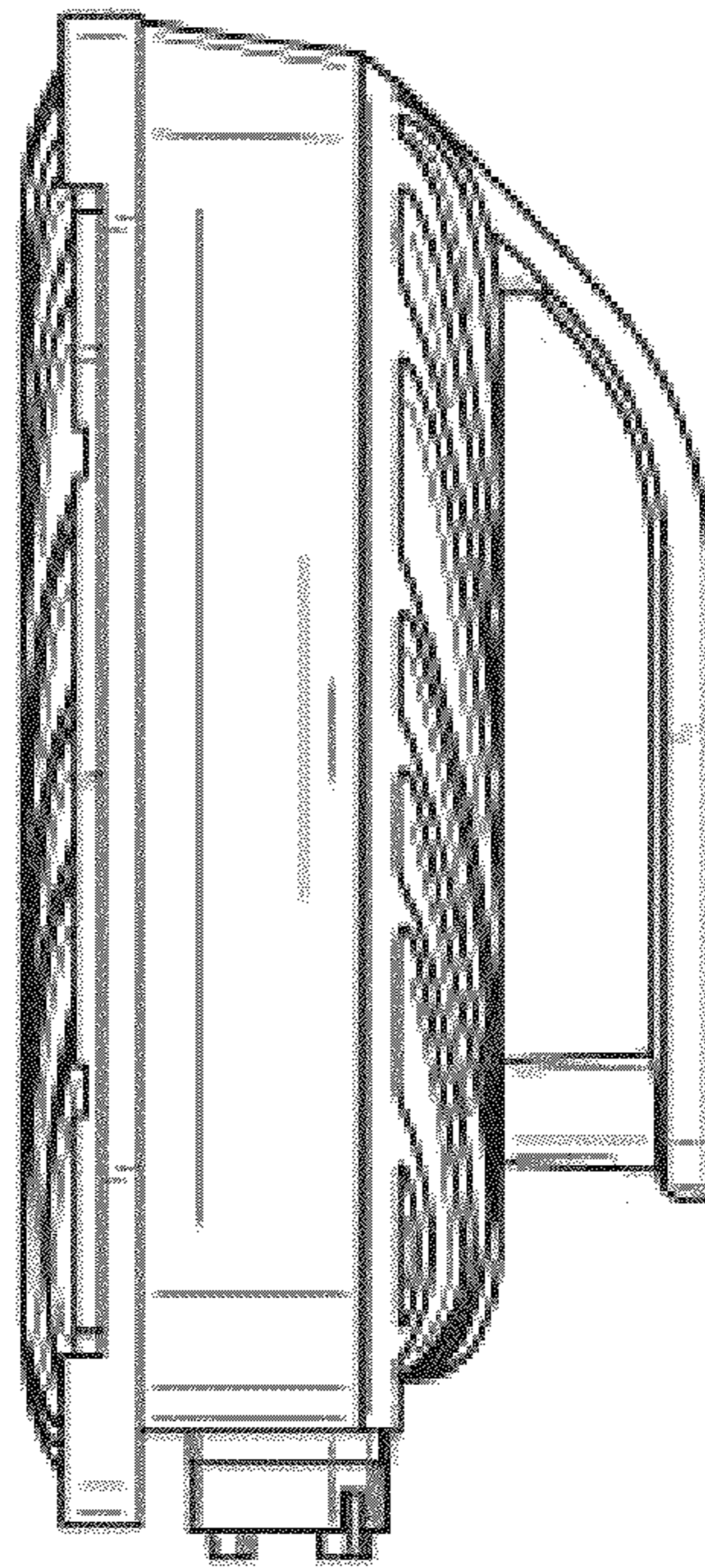


FIG. 4

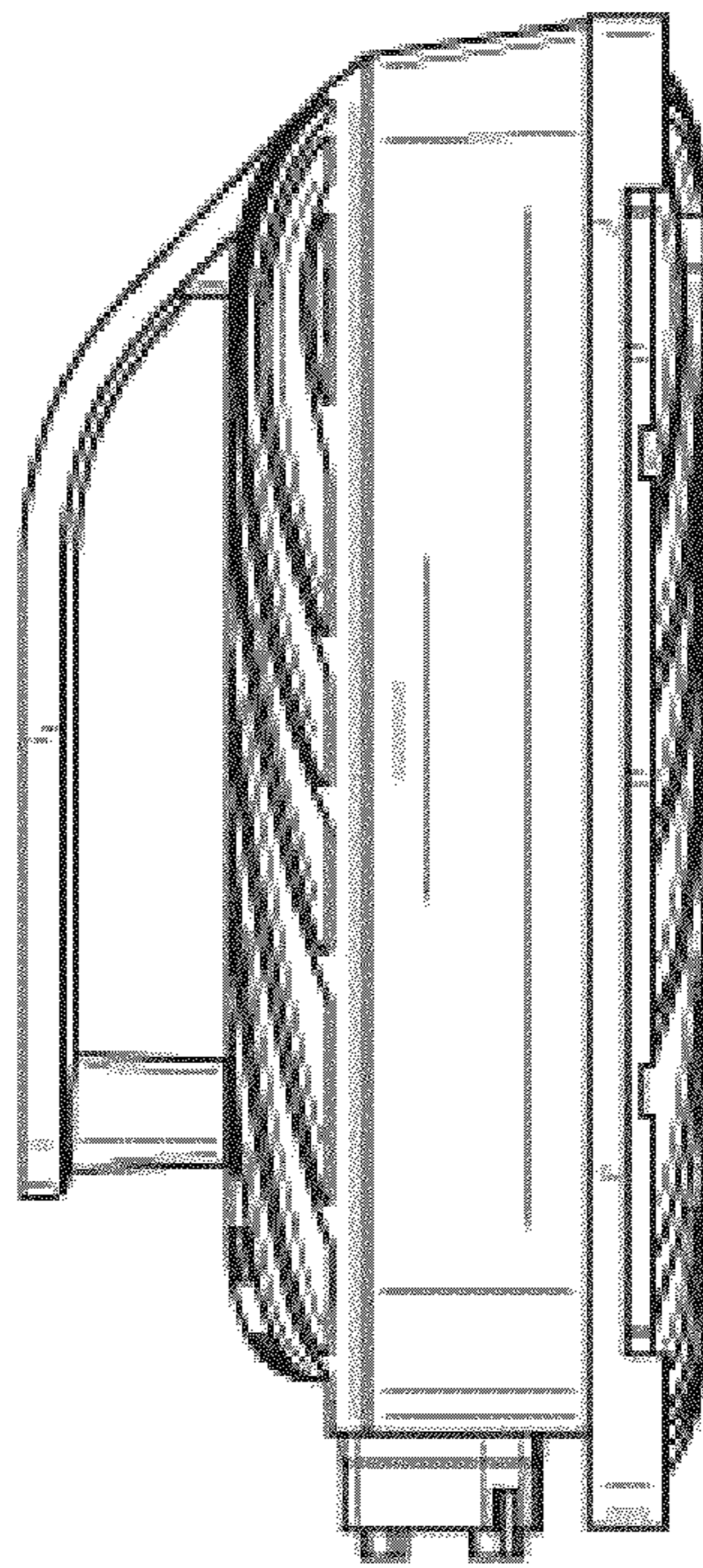


FIG. 5

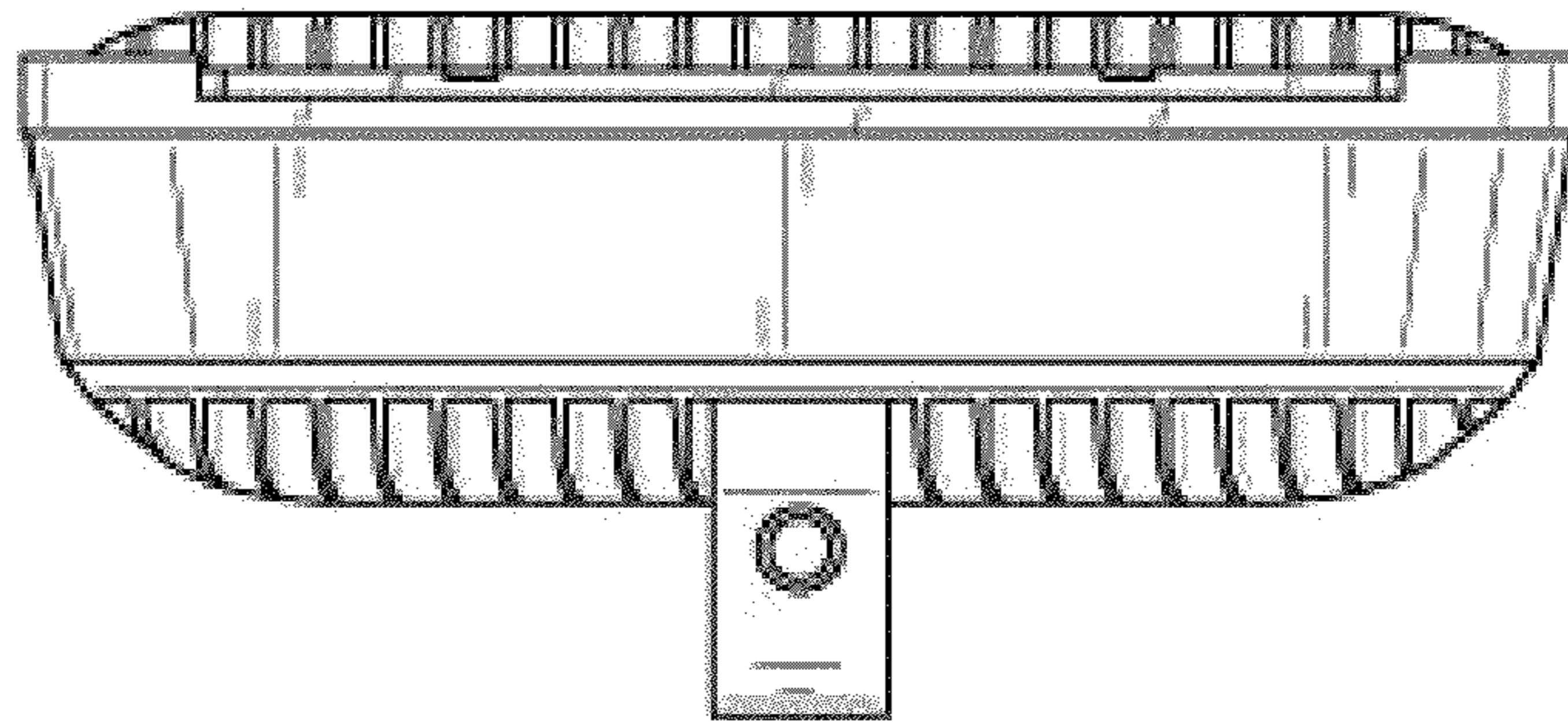


FIG. 6

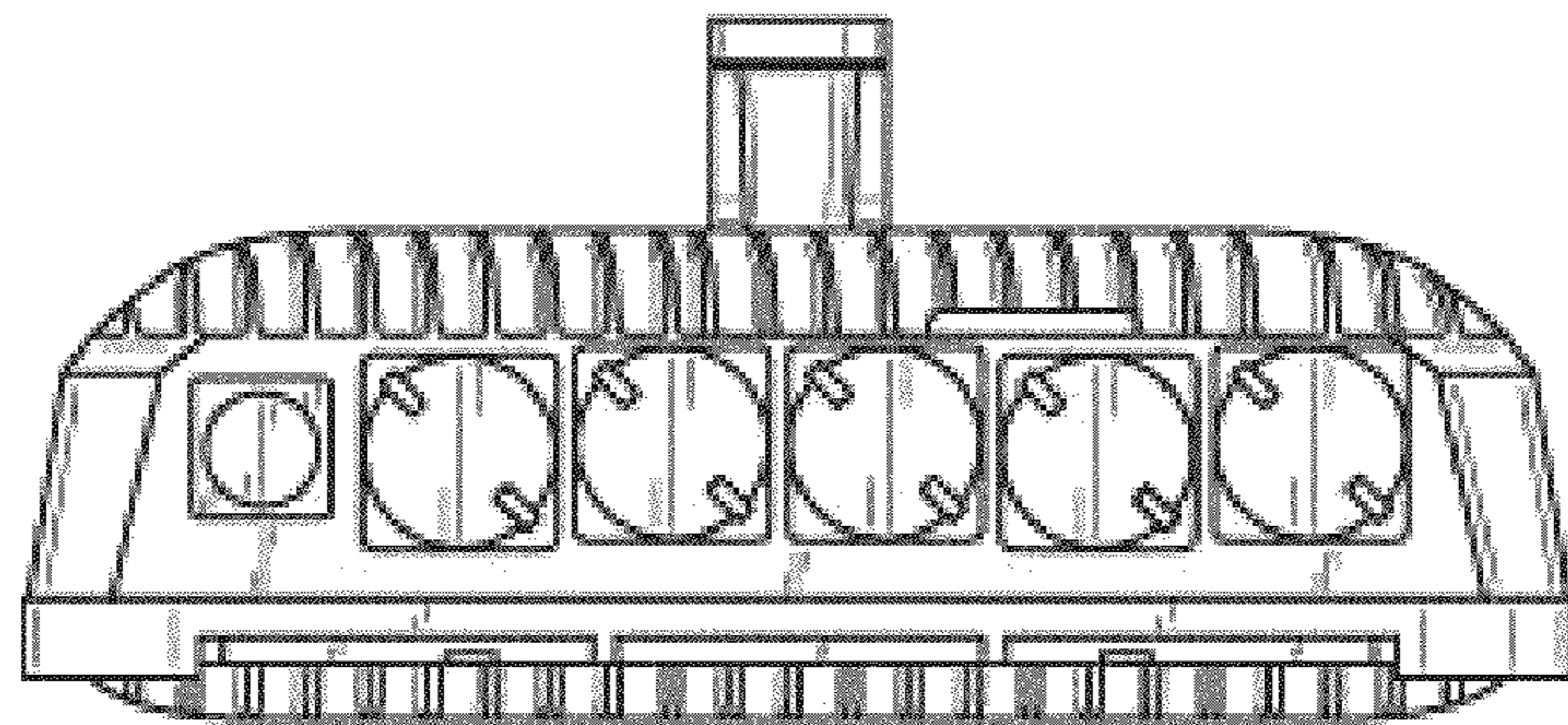


FIG. 7