



US00D730332S

(12) **United States Design Patent**
Kumano

(10) **Patent No.:** **US D730,332 S**
(45) **Date of Patent:** **** May 26, 2015**

- (54) **PANEL DISPLAY**
- (71) Applicant: **Sony Corporation**, Tokyo (JP)
- (72) Inventor: **Daigaku Kumano**, Tokyo (JP)
- (73) Assignee: **Sony Corporation**, Tokyo (JP)
- (**) Term: **14 Years**
- (21) Appl. No.: **29/442,067**
- (22) Filed: **Nov. 30, 2012**

D501,185 S	1/2005	Sato et al.	
D508,055 S *	8/2005	Lo	D14/451
D534,508 S	1/2007	Yamada	
D541,765 S	5/2007	Niitsu	
D545,777 S	7/2007	Kim	
D556,159 S	11/2007	Park et al.	
D556,160 S	11/2007	Lee et al.	
D567,199 S	4/2008	Kim et al.	
D570,841 S	6/2008	Kim et al.	
D573,118 S	7/2008	Yang et al.	
D573,559 S	7/2008	Kim et al.	
D596,596 S *	7/2009	Honda	D14/126
D601,143 S	9/2009	Oikawa et al.	
D609,658 S	2/2010	Kim et al.	

(Continued)

Related U.S. Application Data

- (60) Continuation of application No. 29/371,997, filed on Apr. 12, 2012, now Pat. No. Des. 673,129, which is a division of application No. 29/347,609, filed on Mar. 12, 2010, now Pat. No. Des. 659,660.
- (51) **LOC (10) Cl.** **14-03**
- (52) **U.S. Cl.**
USPC **D14/239**
- (58) **Field of Classification Search**
CPC H04N 5/64; H04N 5/645; H04N 5/655
USPC D14/125-129, 239, 371-375, 336, 337;
341/12; 345/104, 156, 168, 173;
348/180, 184, 325, 739; 349/1, 2, 11,
349/62; 361/679.05-679.07, 679.21;
D6/300, 308
See application file for complete search history.

References Cited

U.S. PATENT DOCUMENTS

D380,213 S	6/1997	Morimiya	
D432,102 S	10/2000	Arie	
D455,725 S	4/2002	Isono	
D474,452 S	5/2003	Kanatani	
D474,453 S	5/2003	Kanatani	
D483,368 S *	12/2003	Olson et al.	D14/375
D488,451 S	4/2004	Niitsu	

FOREIGN PATENT DOCUMENTS

JP	D1106380 S	4/2001
JP	D1150327 S	8/2002

(Continued)

Primary Examiner — Randall Gholson

(74) *Attorney, Agent, or Firm* — Fishman Stewart Yamaguchi PLLC

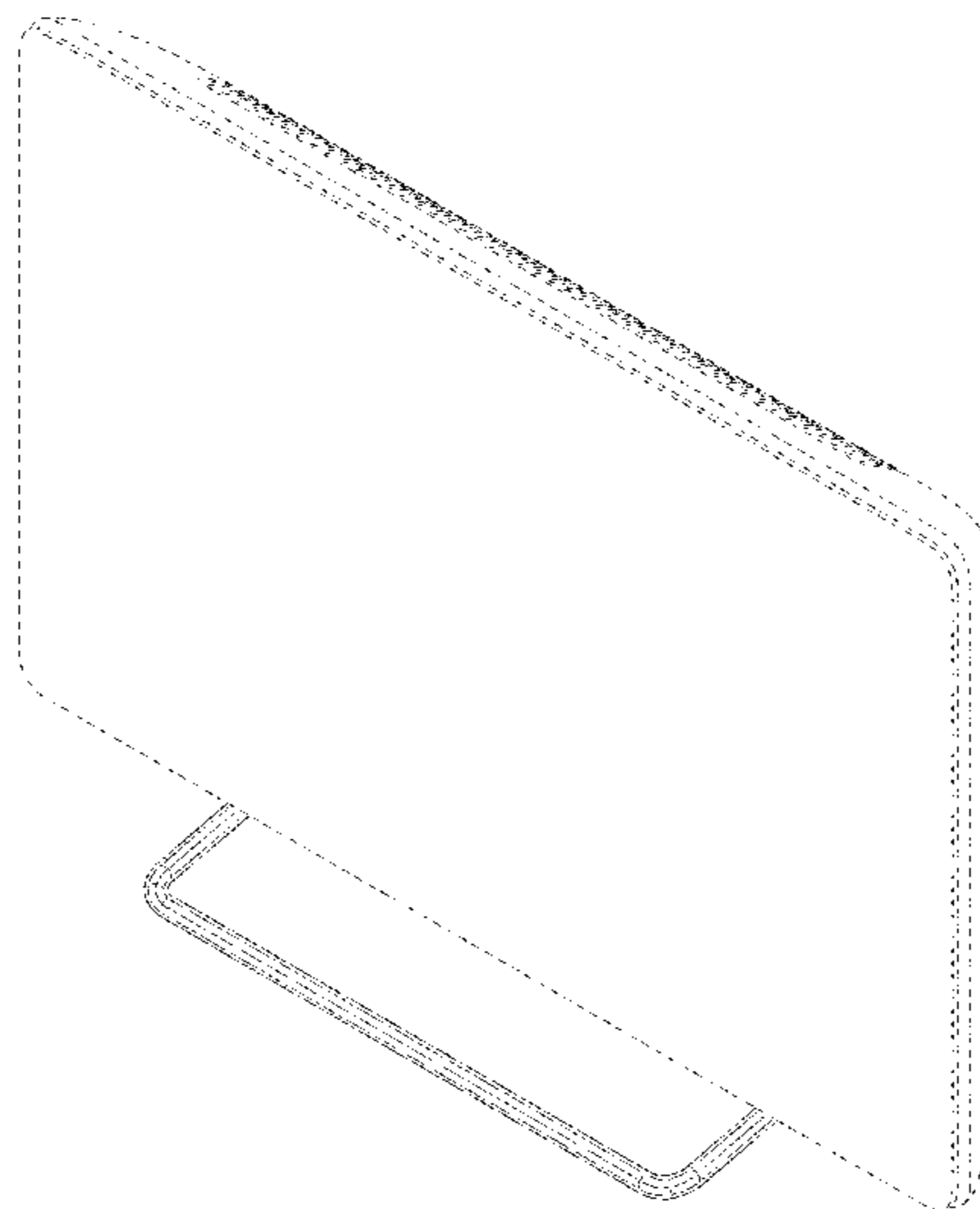
(57) **CLAIM**

The ornamental design for a panel display, as shown and described.

DESCRIPTION

FIG. 1 is a perspective view of a panel display showing my new design;
 FIG. 2 is a front elevational view thereof;
 FIG. 3 is a rear elevational view thereof;
 FIG. 4 is a left side elevational view thereof;
 FIG. 5 is a right side elevational view thereof;
 FIG. 6 is a top plan view thereof; and,
 FIG. 7 is a bottom plan view thereof.
 The broken lines depict portions of the panel display that form no part of the claimed design.

1 Claim, 6 Drawing Sheets



(56)

References Cited

FOREIGN PATENT DOCUMENTS

U.S. PATENT DOCUMENTS							
				JP	D1158658 S	11/2002	
				JP	D1224649 S	12/2004	
D609,660 S	2/2010	VanDuyn et al.		JP	D1224650 S	12/2004	
D609,661 S	2/2010	VanDuyn et al.		JP	D1322102 S	2/2008	
D609,705 S	2/2010	Andre et al.		JP	D1322104 S	2/2008	
D615,508 S	5/2010	Kumano		JP	D1245997 S	6/2008	
D621,375 S *	8/2010	Nagase	D14/126	JP	D1337650 S	8/2008	
D624,513 S	9/2010	Mitsubishi		JP	D1367992 S	8/2009	
D628,172 S *	11/2010	Chien	D14/126	JP	D1368035 S	8/2009	
D629,373 S	12/2010	Kim et al.					
D630,209 S	1/2011	Lee et al.					
D637,195 S	5/2011	Stammers et al.					
D649,950 S *	12/2011	Chiu	D14/126				
D658,140 S *	4/2012	Hwangbo et al.	D14/126				
D671,513 S *	11/2012	Jang et al.	D14/126				

* cited by examiner

FIG.1

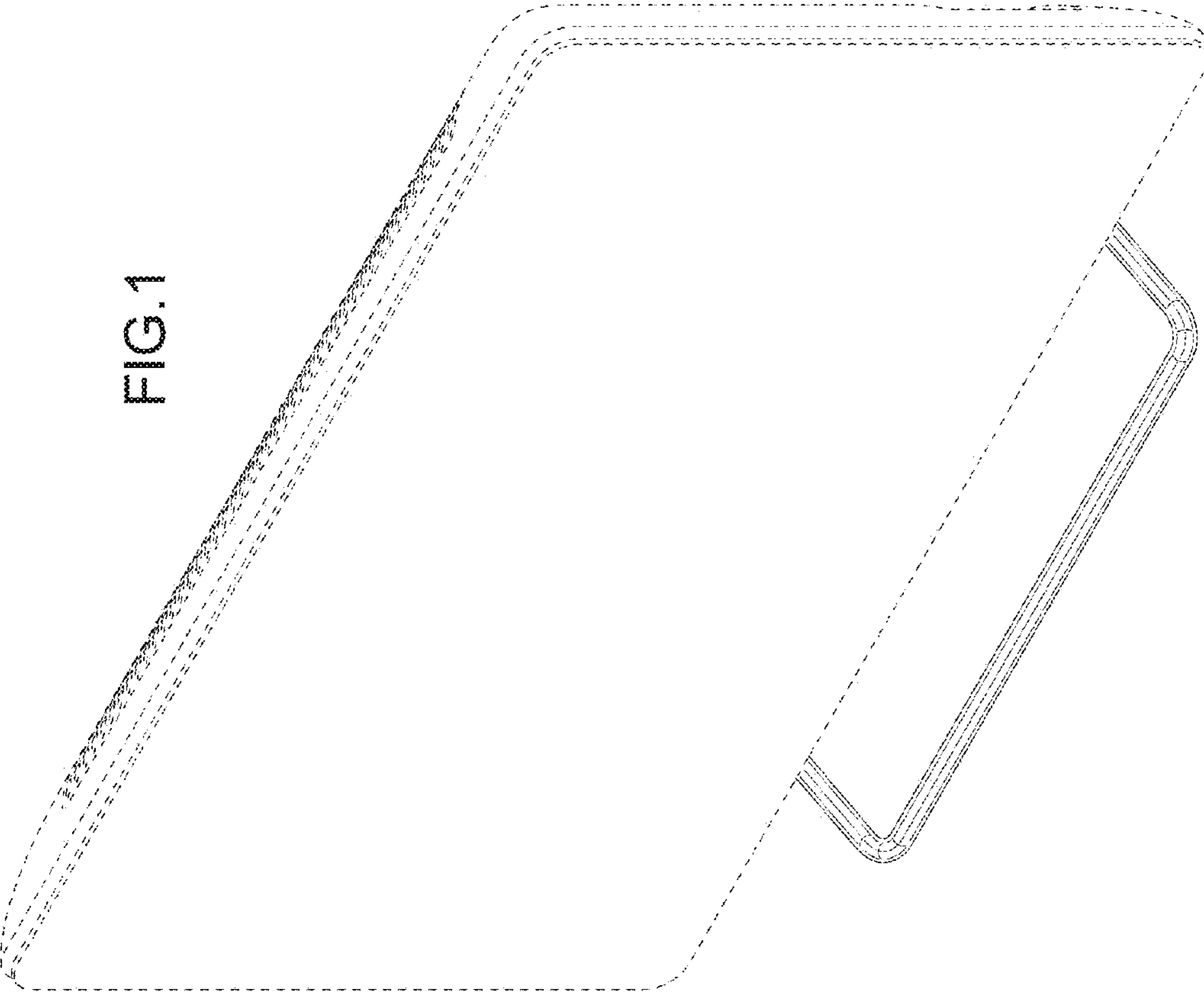


FIG.2

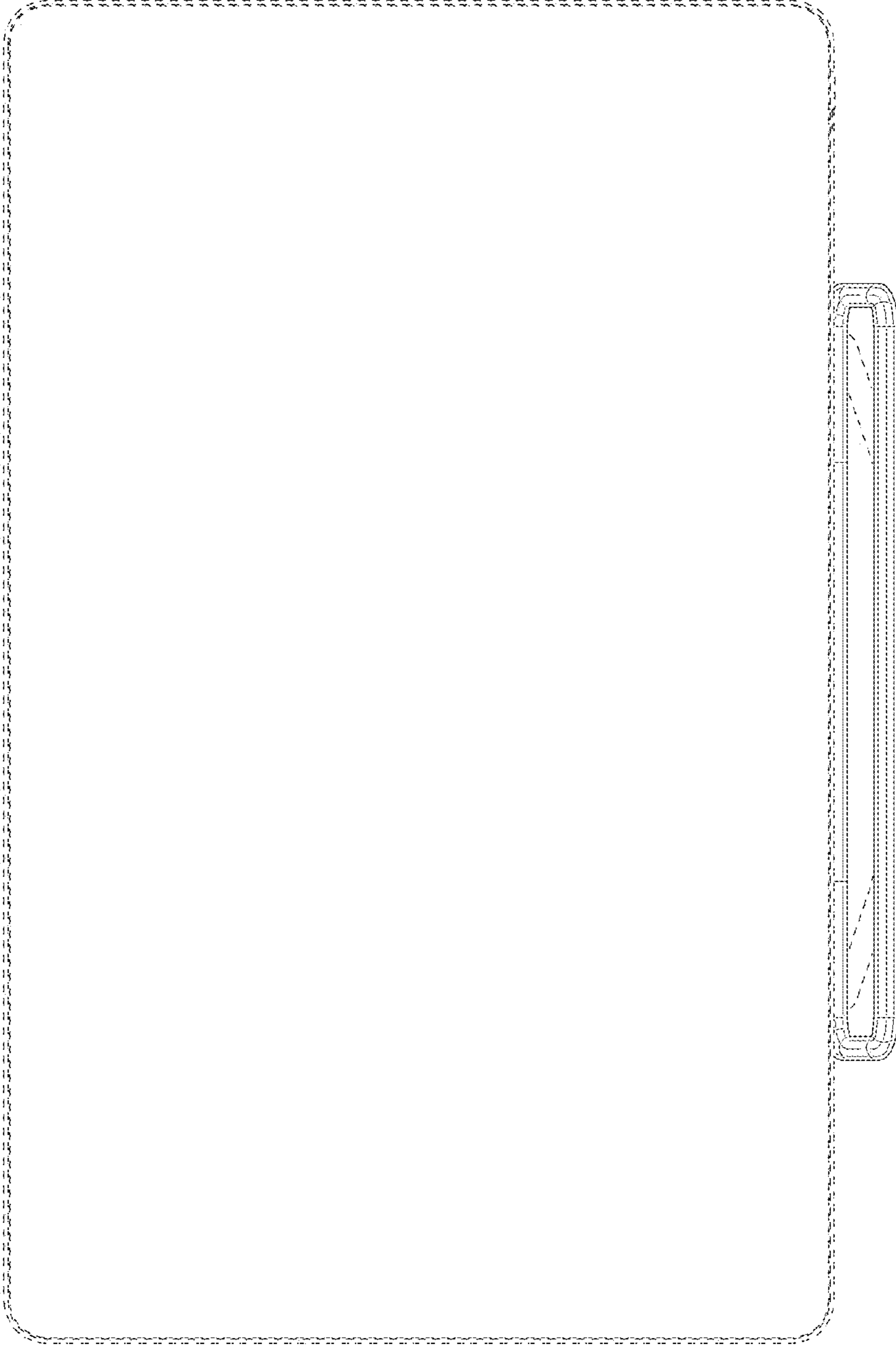


FIG. 3

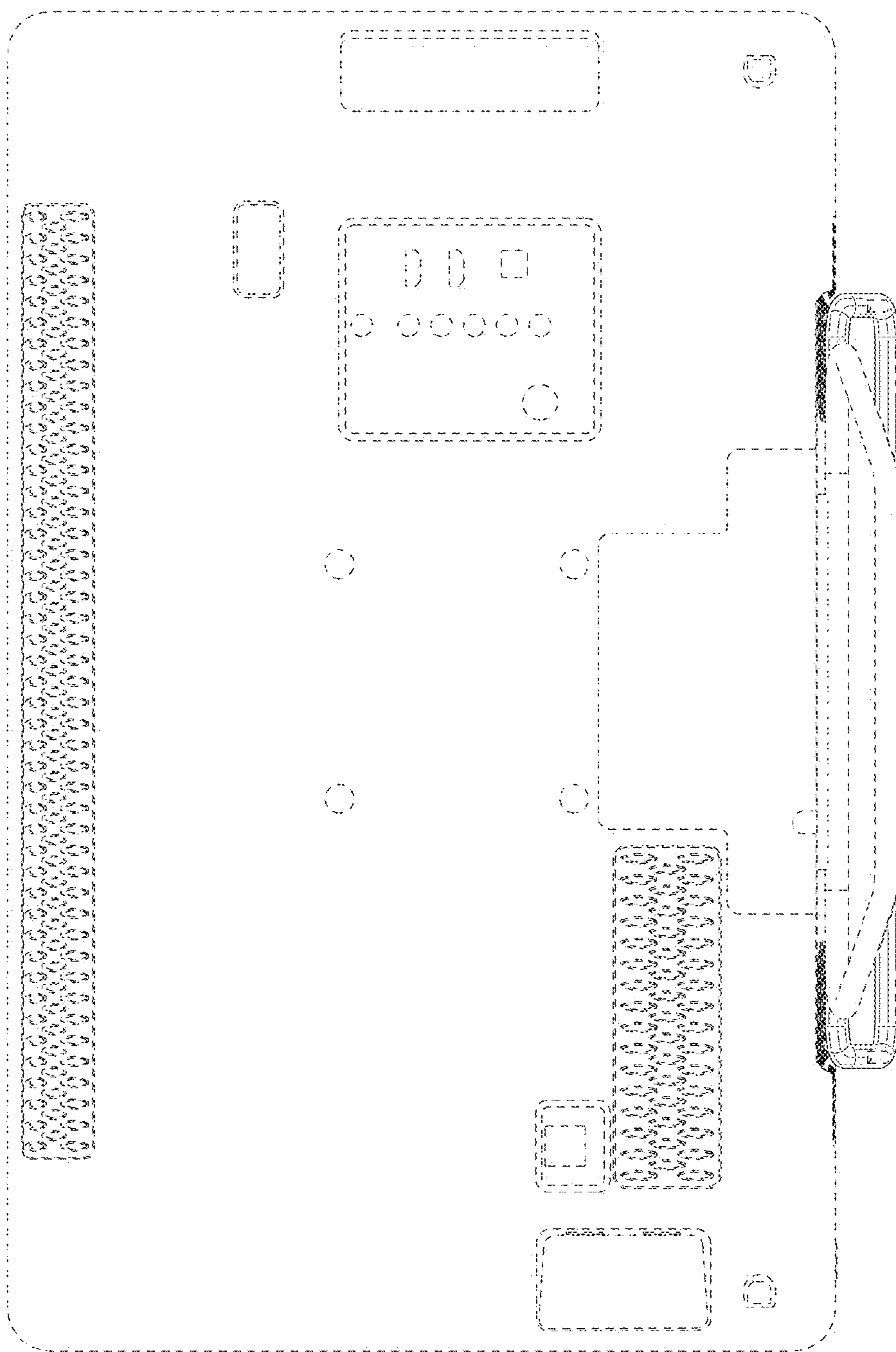


FIG.5

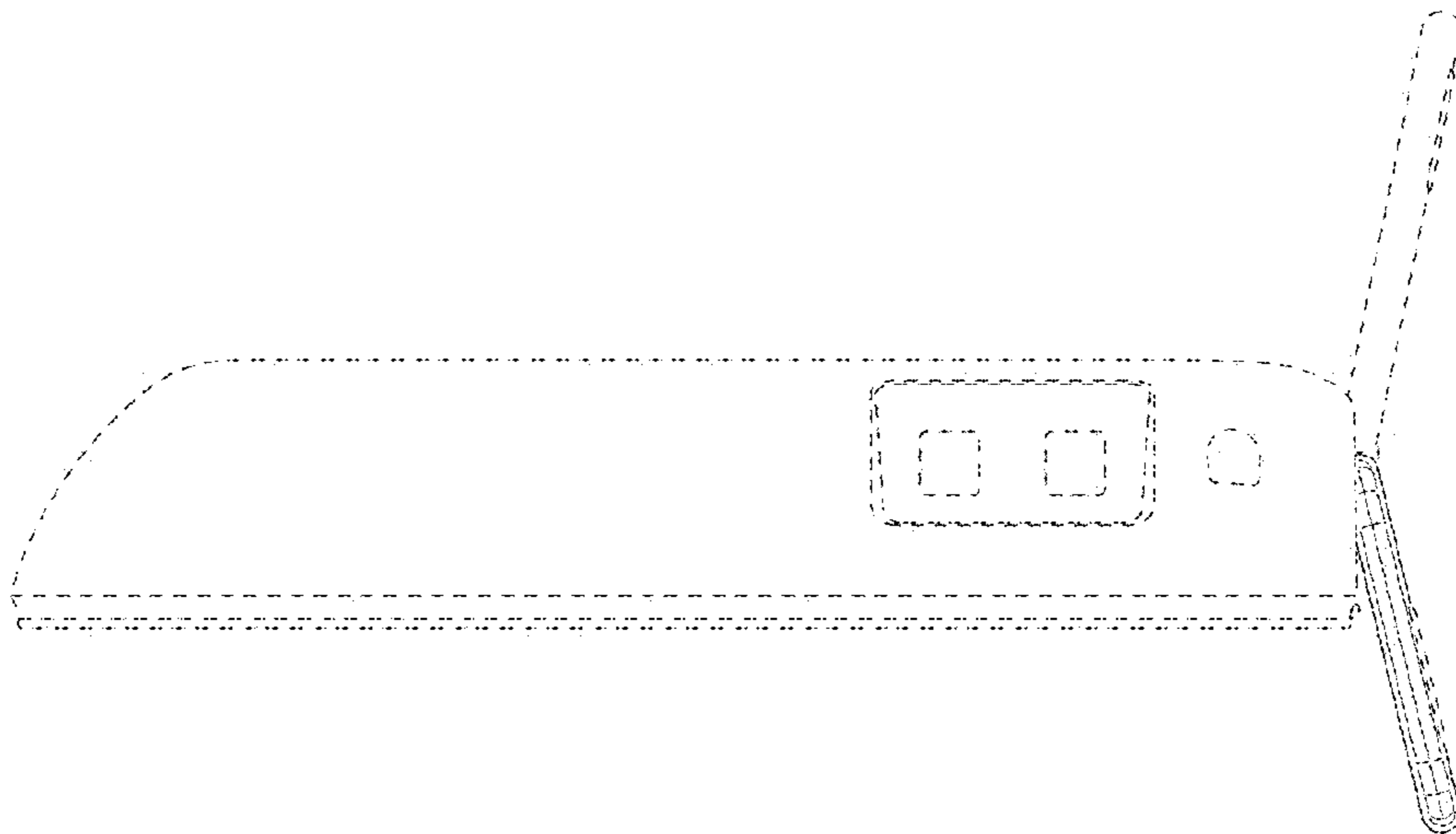


FIG.4

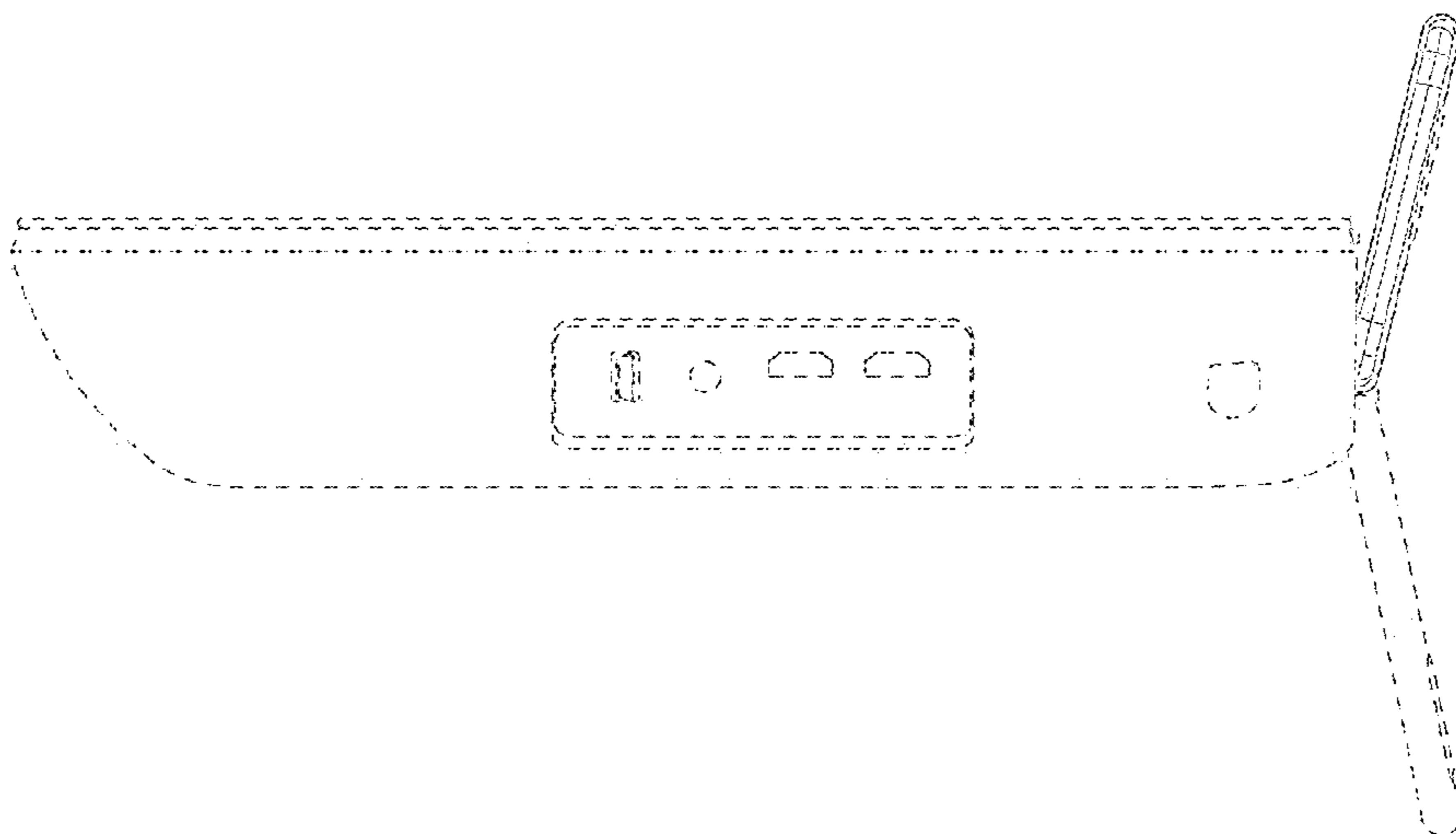
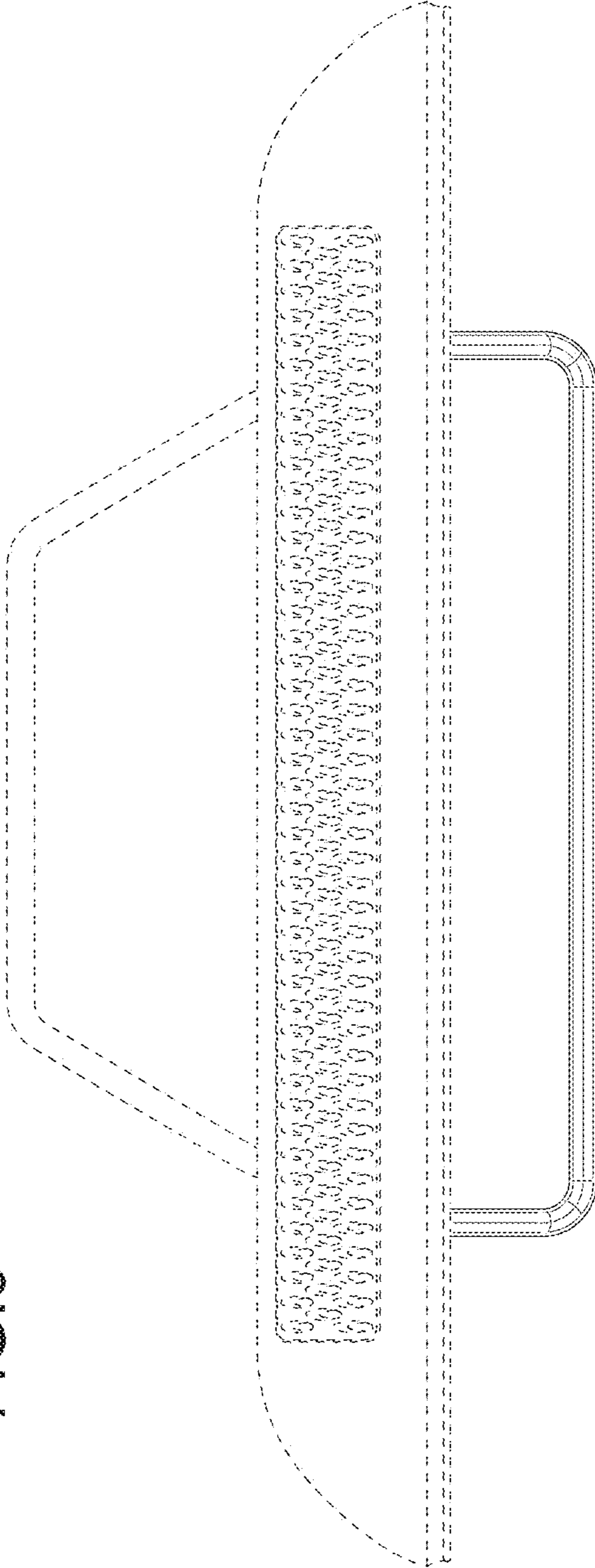


FIG.6



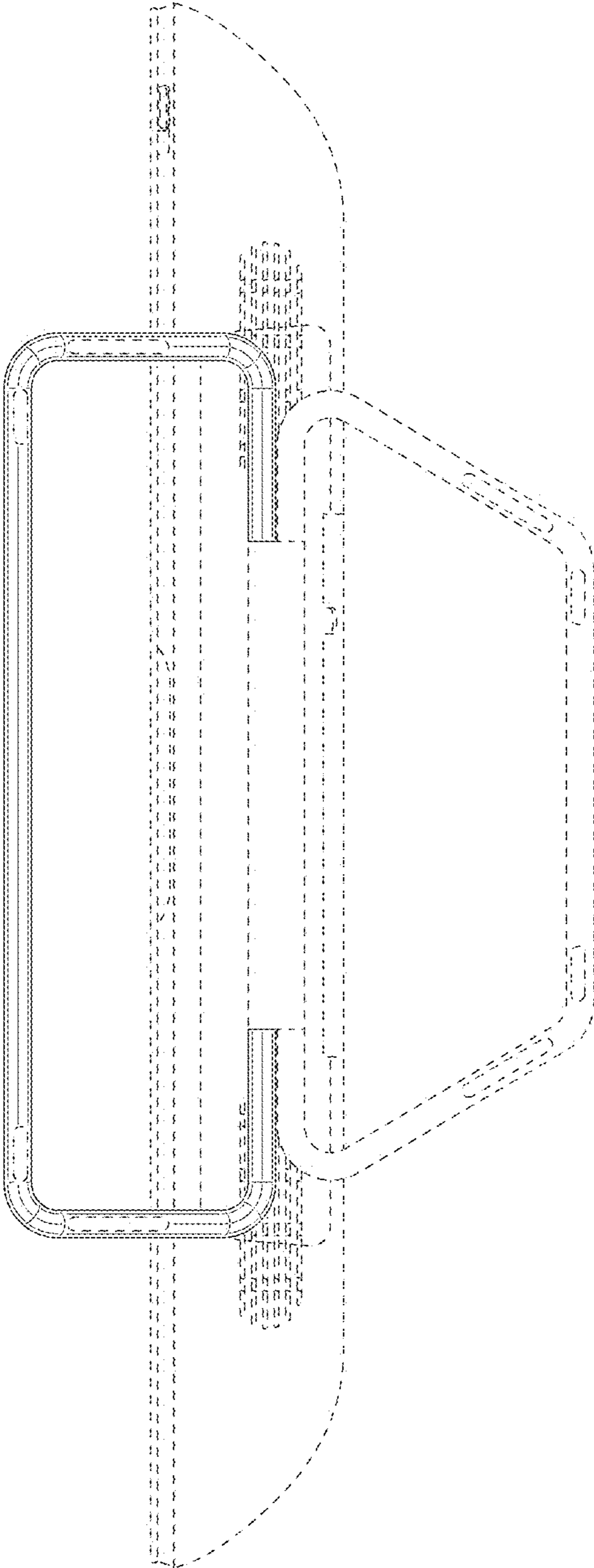


FIG.7