

US00D730328S

(12) **United States Design Patent**
Chun et al.

(10) **Patent No.:** **US D730,328 S**

(45) **Date of Patent:** **** May 26, 2015**

(54) **ANTENNA**

(71) Applicant: **SAMSUNG ELECTRONICS CO., LTD.**, Suwon-si, Gyeonggi-do (KR)

(72) Inventors: **Bum-Ho Chun**, Seoul (KR); **Tai-Hyung Ju**, Seoul (KR)

(73) Assignee: **SAMSUNG ELECTRONICS CO., LTD.** (KR)

(**) Term: **14 Years**

(21) Appl. No.: **29/470,251**

(22) Filed: **Oct. 18, 2013**

(30) **Foreign Application Priority Data**

Apr. 25, 2013 (KR) 30-2013-0021930

(51) **LOC (10) Cl.** **14-03**

(52) **U.S. Cl.**
USPC **D14/230**; D14/233

(58) **Field of Classification Search**
USPC D14/138, 230-238, 299, 358; D12/42, D12/43; 343/700 MS, 700 R-705, 711-713, 343/735, 736, 741, 748, 767, 795, 819, 840, 343/846, 866, 871-908; 455/90.2, 90.3, 91, 455/128, 269, 344, 347, 562.1; 333/193, 333/195

See application file for complete search history.

(56) **References Cited**

U.S. PATENT DOCUMENTS

D227,785 S * 7/1973 Kaysen D14/233
D306,583 S * 3/1990 Krolopp et al. D14/137
D408,823 S * 4/1999 Kirby D14/240
D414,187 S * 9/1999 Lange et al. D14/231
D427,182 S * 6/2000 Andrew et al. D14/230
D430,028 S * 8/2000 Panansewicz D9/432
D438,532 S * 3/2001 Gargani et al. D14/240
D440,961 S * 4/2001 Inoue D14/230
D480,712 S * 10/2003 Noro D14/230

D482,350 S * 11/2003 Noro et al. D14/230
D487,892 S * 3/2004 Ogura D14/358
D493,447 S * 7/2004 Noro et al. D14/230
D520,499 S * 5/2006 Nagatomi D14/233
D521,508 S * 5/2006 Ting D14/341
7,084,821 B2 * 8/2006 Noro et al. 343/713
7,106,272 B2 * 9/2006 Noro et al. 343/872
D531,025 S * 10/2006 Tanner D9/426
D540,318 S * 4/2007 Wang D14/300
D550,660 S * 9/2007 Noro et al. D14/230
D567,032 S * 4/2008 Gilbert D7/629
D589,946 S * 4/2009 Yamamoto D14/230
D590,379 S * 4/2009 Deguchi et al. D14/230
D592,649 S * 5/2009 L'Henaff et al. D14/240
D596,626 S * 7/2009 Andre et al. D14/240
D597,543 S * 8/2009 Urban D14/356
D598,375 S * 8/2009 Nomi D13/108
D618,240 S * 6/2010 Larmour et al. D14/358
D624,541 S * 9/2010 Kemery et al. D14/358
D624,912 S * 10/2010 Chen et al. D14/356
D635,940 S * 4/2011 Cho et al. D14/125
D638,317 S * 5/2011 Nguyen et al. D10/65
D641,740 S * 7/2011 Jeon et al. D14/240

(Continued)

Primary Examiner — John Windmuller

(74) *Attorney, Agent, or Firm* — Cantor Colburn LLP

(57) **CLAIM**

The ornamental design for an antenna, as shown and described.

DESCRIPTION

FIG. 1 is a top front perspective view of an antenna showing our new design;

FIG. 2 is a front view thereof;

FIG. 3 is a rear view thereof;

FIG. 4 is a side view thereof;

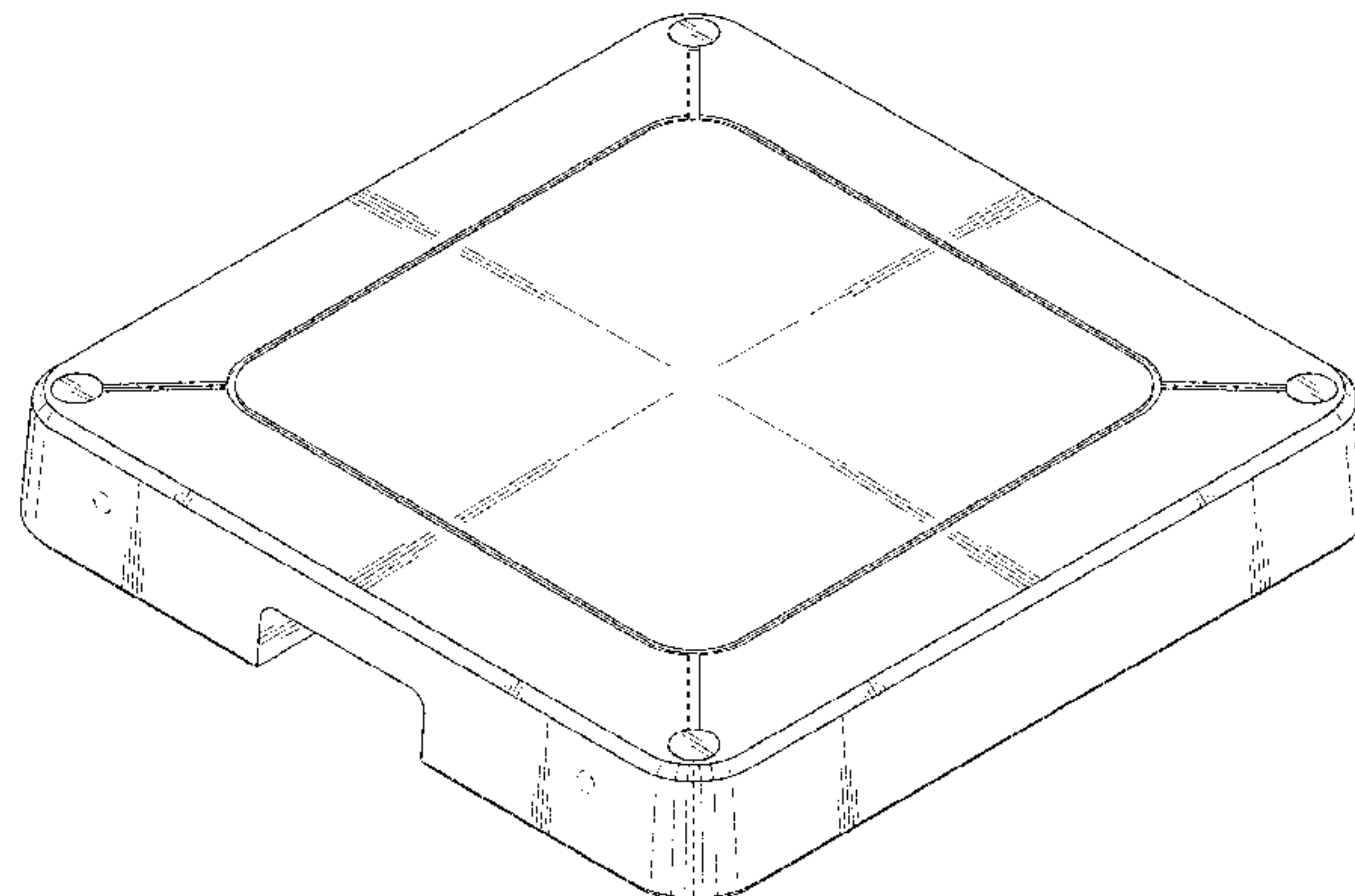
FIG. 5 is another side view thereof;

FIG. 6 is a top view thereof; and,

FIG. 7 is a bottom view thereof.

The broken lines illustrating portions of the antenna are for environmental purposes only and form no part of the claimed design.

1 Claim, 3 Drawing Sheets



(56)

References Cited

U.S. PATENT DOCUMENTS

D647,896 S *	11/2011	Chen et al.	D14/314	D695,727 S *	12/2013	Shimizu	D14/240
D656,126 S *	3/2012	Choi et al.	D14/218	D698,980 S *	2/2014	Yu	D26/89
D667,162 S *	9/2012	Choi et al.	D26/89	D704,176 S *	5/2014	Kwak et al.	D14/240
D673,533 S *	1/2013	Ennabli	D14/230	D705,201 S *	5/2014	Isaacs et al.	D14/240
D675,569 S *	2/2013	Chang	D13/133	D706,249 S *	6/2014	Holzer	D14/240
D685,752 S *	7/2013	Kimura et al.	D14/125	D716,772 S *	11/2014	Cavero et al.	D14/225
					2004/0189532 A1 *	9/2004	Nakano et al.	343/700 MS
					2005/0225489 A1 *	10/2005	Aizawa et al.	343/713
					2013/0264144 A1 *	10/2013	Hudson et al.	181/282

* cited by examiner

FIG. 1

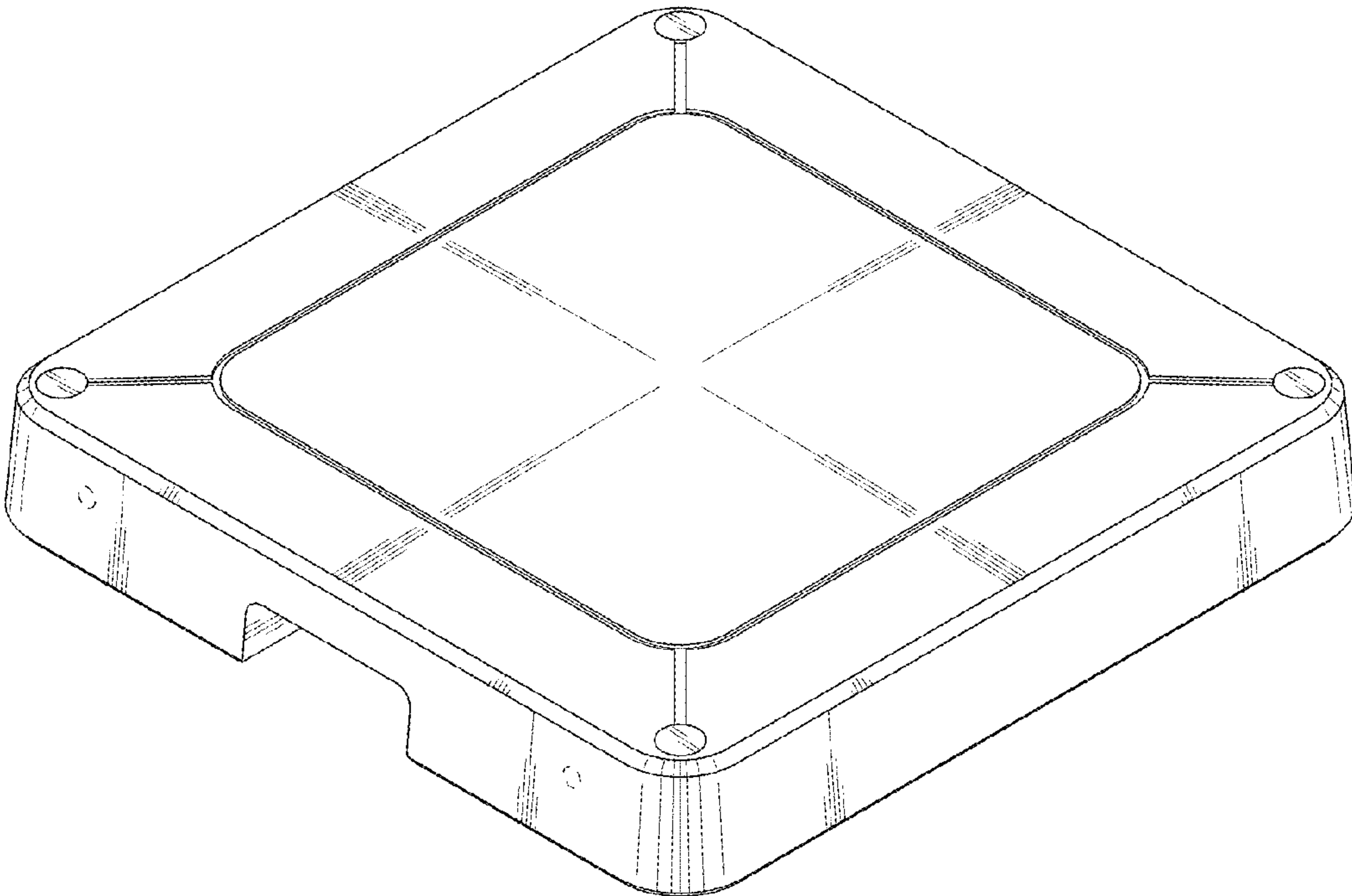


FIG.2

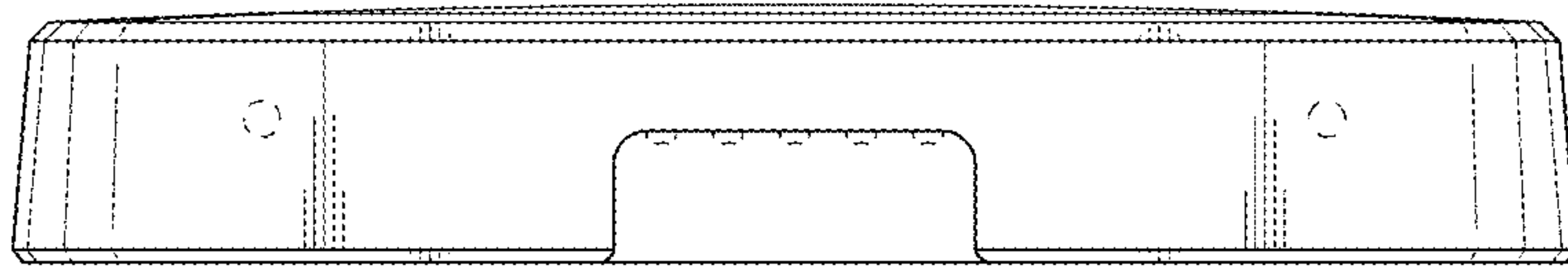


FIG.3

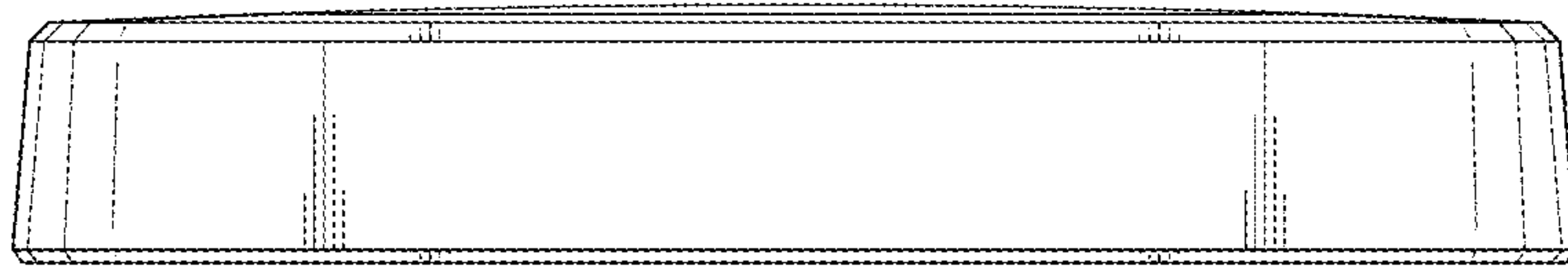


FIG.4

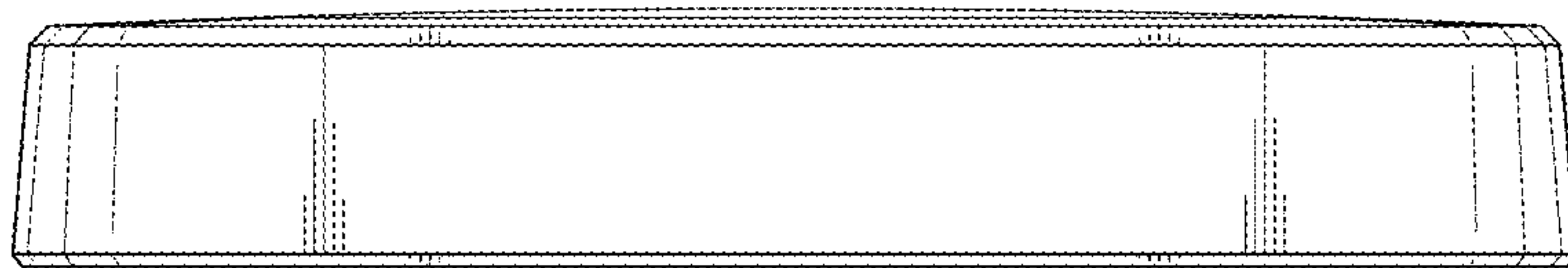


FIG.5

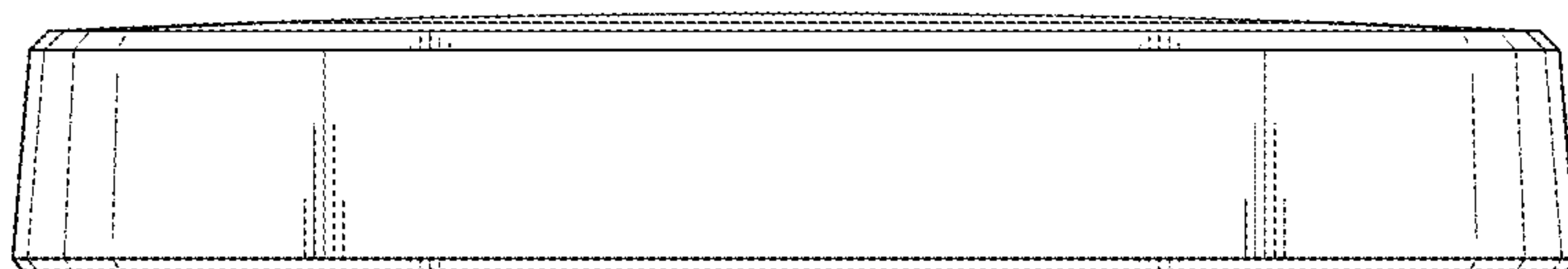


FIG.6

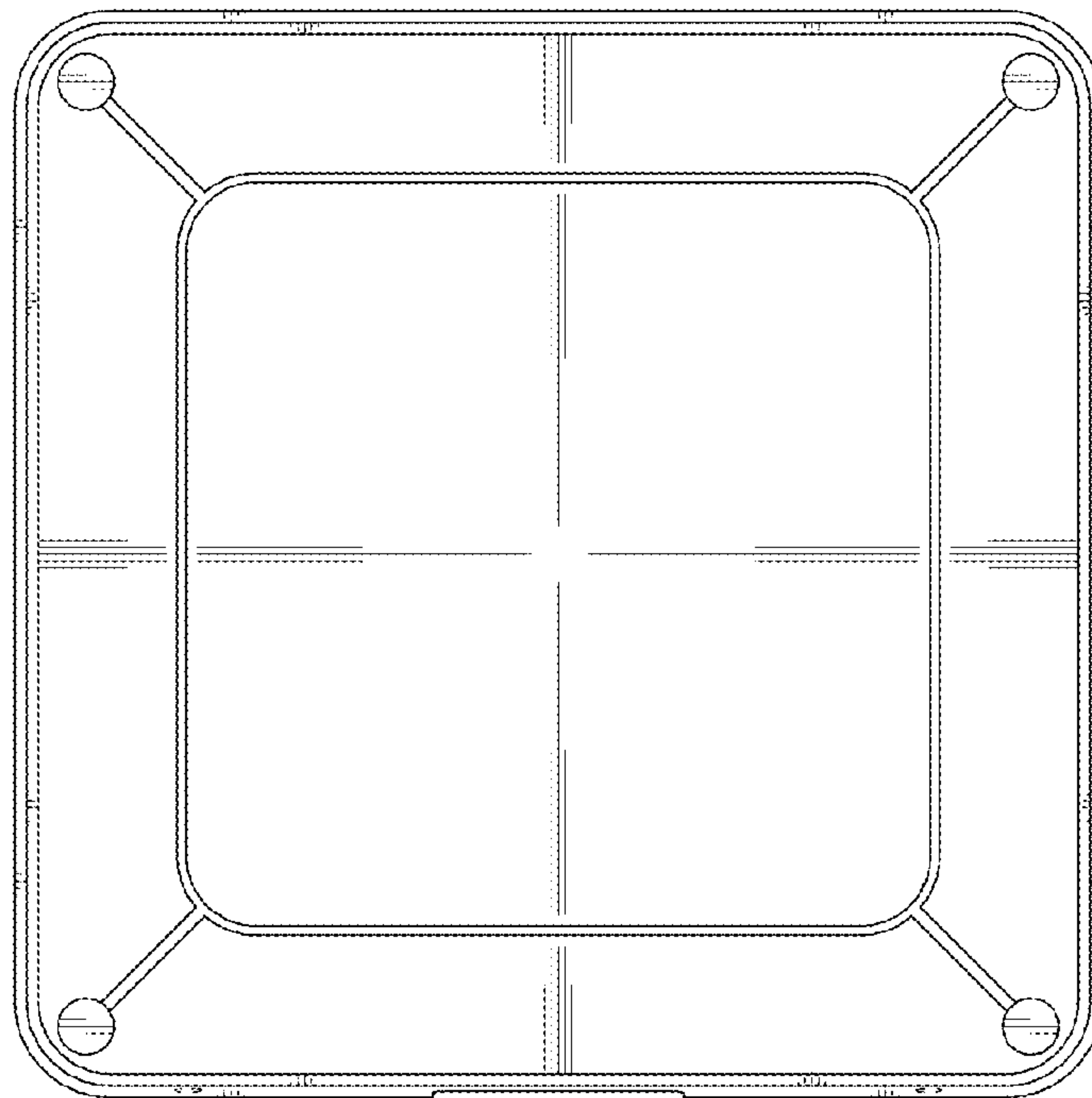


FIG.7

