

US00D730315S

(12) **United States Design Patent**
Stevinson

(10) **Patent No.:** **US D730,315 S**

(45) **Date of Patent:** **** May 26, 2015**

(54) **EARPHONE CADDY**

(71) Applicant: **Dean Stevenson**, Centennial, CO (US)

(72) Inventor: **Dean Stevenson**, Centennial, CO (US)

(**) Term: **14 Years**

(21) Appl. No.: **29/445,405**

(22) Filed: **Feb. 11, 2013**

(51) **LOC (10) Cl.** **14-01**

(52) **U.S. Cl.**
USPC **D14/205; D3/201**

(58) **Field of Classification Search**
USPC D14/205, 204, 201, 251–252, 144, 243;
D3/201, 203.1, 218, 269; 206/45.24,
206/216, 314, 305, 320, 457, 701;
455/569.1, 575.1–575.8; 381/74
See application file for complete search history.

(56) **References Cited**

U.S. PATENT DOCUMENTS

363,495 A	5/1887	Wilson, Jr.
D22,417 S	5/1893	Scheuer
1,426,537 A	8/1922	Bauer
2,287,368 A	6/1942	Anderson
D136,783 S	12/1943	Veck
2,396,906 A	3/1946	Windson
2,981,990 A	5/1961	Balderree, Jr.
3,161,723 A	12/1964	Flower et al.
D209,330 S	11/1967	Coderre et al.

(Continued)

FOREIGN PATENT DOCUMENTS

WO	WO 2012/177285	12/2012
WO	WO 2014/124445	8/2014

OTHER PUBLICATIONS

Ex Parte Quayle Action corresponding to U.S. Appl. No. 29/409,525,
mailed Sep. 26, 2012, 6 pgs.

(Continued)

Primary Examiner — Catheri Oliver-Garcia

(74) *Attorney, Agent, or Firm* — Lathrop & Gage LLP

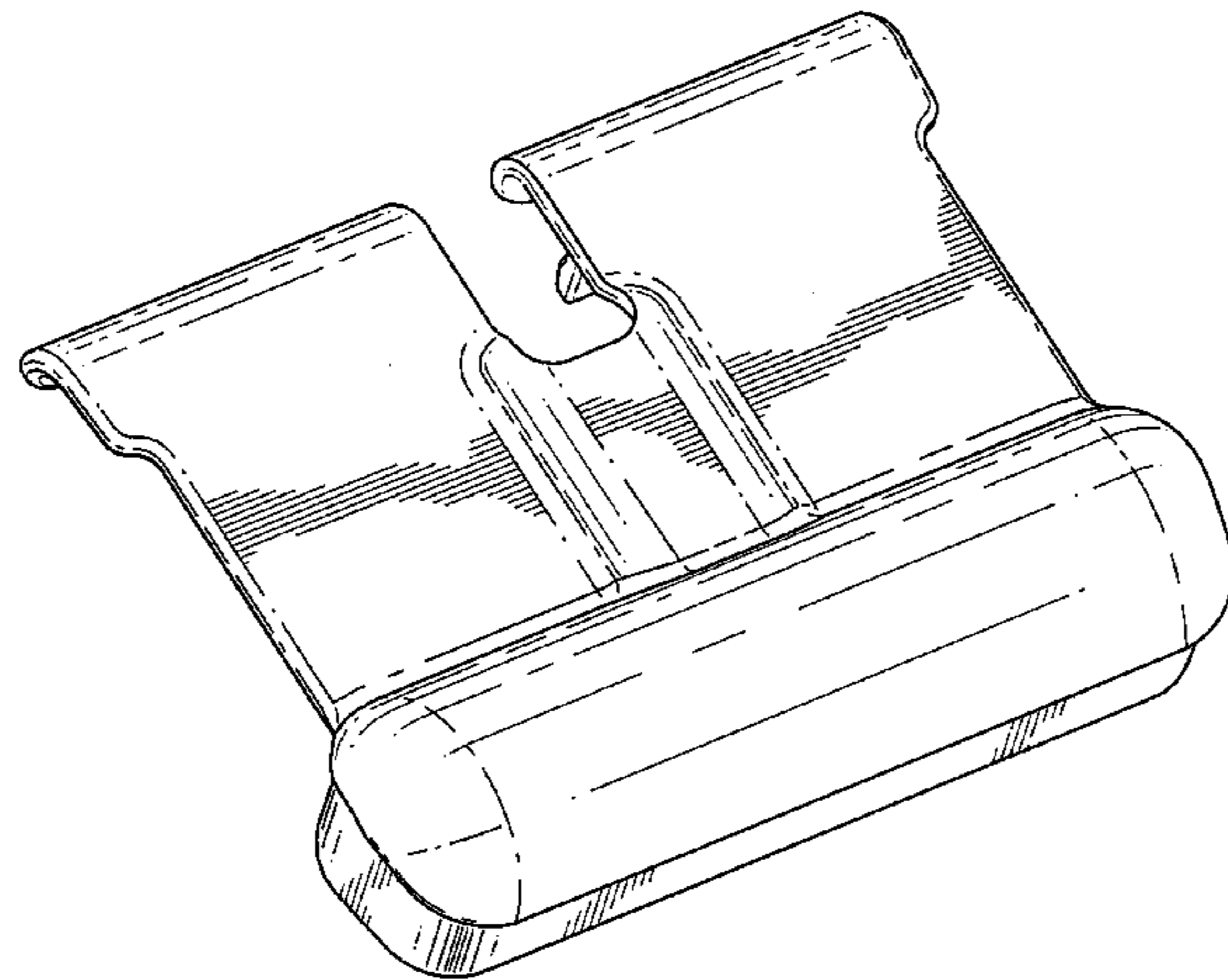
(57) **CLAIM**

The ornamental design for an earphone caddy, as shown and described.

DESCRIPTION

FIG. 1 is a rear perspective view of a first embodiment of the earphone caddy;
 FIG. 2 is a front perspective view of the first embodiment of the earphone caddy;
 FIG. 3 is a top plan view of the first embodiment of the earphone caddy;
 FIG. 4 is a bottom plan view of the first embodiment of the earphone caddy;
 FIG. 5 is a right side elevation of the first embodiment of the earphone caddy;
 FIG. 6 is a left side elevation of the first embodiment of the earphone caddy;
 FIG. 7 is a rear elevation of the first embodiment of the earphone caddy;
 FIG. 8 is a front elevation of the first embodiment of the earphone caddy;
 FIG. 9 is a rear perspective view of a second embodiment of the earphone caddy;
 FIG. 10 is a front perspective view of the second embodiment of the earphone caddy;
 FIG. 11 is a top plan view of the second embodiment of the earphone caddy;
 FIG. 12 is a bottom plan view of the second embodiment of the earphone caddy;
 FIG. 13 is a right side elevation of the second embodiment of the earphone caddy;
 FIG. 14 is a left side elevation of the second embodiment of the earphone caddy;
 FIG. 15 is a rear elevation of the second embodiment of the earphone caddy; and,
 FIG. 16 is a front elevation of the second embodiment of the earphone caddy.

1 Claim, 12 Drawing Sheets



(56)

References Cited

U.S. PATENT DOCUMENTS

3,353,232 A 11/1967 Brownson
 3,465,391 A 9/1969 Armstrong
 D221,511 S 8/1971 Dufault
 3,736,925 A 6/1973 Erman
 3,785,080 A 1/1974 Wallace
 D235,850 S 7/1975 Diforte, Jr. et al.
 3,953,911 A 5/1976 Fishack
 4,270,247 A 6/1981 Freedom
 D284,299 S 6/1986 Auerbach et al.
 4,680,886 A 7/1987 Caselli, Sr.
 D347,989 S 6/1994 De Ward
 5,383,091 A 1/1995 Snell
 5,867,355 A 2/1999 Arai et al.
 5,984,224 A 11/1999 Yang
 6,006,915 A 12/1999 Moor
 6,254,114 B1 7/2001 Pulling et al.
 6,370,401 B1 4/2002 Baranowski et al.
 6,434,249 B1 8/2002 Wei
 6,542,757 B2 4/2003 Bae
 6,601,808 B1 8/2003 Nagel
 6,633,770 B1 10/2003 Gitzinger et al.
 D485,834 S 1/2004 Davetas
 D488,460 S 4/2004 Alwicker et al.
 6,847,724 B1 1/2005 Weng et al.
 D502,388 S 3/2005 Cortez et al.
 D508,605 S 8/2005 Hwang et al.
 6,928,704 B2 8/2005 Johnson
 D514,923 S 2/2006 Brown
 D519,275 S 4/2006 Shertzer
 7,086,512 B2 8/2006 Shack et al.
 D529,288 S 10/2006 Ham
 D553,352 S 10/2007 Allen
 D556,020 S 11/2007 Whitney
 D565,290 S 4/2008 Brandenburg et al.
 D576,785 S 9/2008 TerMeer
 D576,867 S 9/2008 Kretz
 D582,405 S 12/2008 Andre et al.
 7,492,917 B2 2/2009 Ito
 7,500,644 B2 3/2009 Naudet et al.
 D592,399 S 5/2009 Sage
 D593,062 S 5/2009 Lee et al.
 D596,480 S 7/2009 Murphy
 D600,673 S 9/2009 Kim et al.
 D601,879 S 10/2009 Kim et al.
 D601,992 S 10/2009 Choi et al.
 D603,376 S 11/2009 Blasko
 D604,501 S 11/2009 Lee
 D606,529 S 12/2009 Ferrari et al.
 7,669,829 B2 3/2010 Ogatsu
 D615,078 S 5/2010 Bradley
 D620,781 S 8/2010 Weckworth
 D621,393 S 8/2010 Panahi et al.
 D623,642 S 9/2010 Wang
 D624,064 S 9/2010 Esposito
 D624,304 S 9/2010 Danze et al.
 7,801,322 B2 9/2010 Chiu
 D626,129 S 10/2010 Lutz
 D634,115 S 3/2011 Long, Jr. et al.
 D635,555 S 4/2011 Giles
 D638,398 S 5/2011 Morison
 D641,974 S 7/2011 Stampfli
 D643,433 S 8/2011 Hsieh et al.
 D644,428 S 9/2011 Feng
 D644,639 S 9/2011 Weller et al.
 D645,032 S 9/2011 Fathollahi
 8,016,107 B2 9/2011 Emsky
 D647,892 S 11/2011 Ragde, Jr.
 D651,791 S 1/2012 Cataldo et al.
 D653,656 S 2/2012 Charnas et al.
 D654,931 S 2/2012 Lemelman et al.
 D657,137 S 4/2012 Weller et al.
 D661,482 S 6/2012 Chang et al.
 D667,823 S 9/2012 Merenda
 D667,910 S 9/2012 Behr
 D673,936 S 1/2013 Michie et al.

D673,940 S 1/2013 Chang et al.
 D673,941 S 1/2013 Melanson et al.
 8,345,913 B2 1/2013 Pang et al.
 D676,021 S 2/2013 Stevinson
 D676,022 S 2/2013 Stevinson
 D676,416 S 2/2013 Stevinson
 D681,026 S 4/2013 Weller et al.
 D682,807 S 5/2013 Stevinson
 D683,955 S 6/2013 Melanson et al.
 D685,344 S * 7/2013 Mercs D14/205
 8,485,404 B2 7/2013 Monaco et al.
 D688,234 S 8/2013 Esses
 D688,654 S 8/2013 Stevinson
 D688,655 S 8/2013 Rey-Hipolito et al.
 D689,303 S 9/2013 Davison
 D691,581 S 10/2013 Mercs et al.
 8,579,172 B2 11/2013 Monaco et al.
 D698,772 S 2/2014 Merenda
 D703,650 S 4/2014 Ehrlich
 D703,651 S 4/2014 Ehrlich
 D704,181 S 5/2014 Stevinson
 D705,199 S 5/2014 Huang et al.
 D705,764 S 5/2014 Thoni
 8,720,683 B2 5/2014 Mao
 8,774,446 B2 7/2014 Merenda
 8,783,531 B2 7/2014 Kroupa
 8,787,610 B2 7/2014 Stevinson
 D710,346 S 8/2014 Smith et al.
 8,842,872 B2 9/2014 Stevinson
 D720,330 S * 12/2014 Stevinson D14/205
 D720,718 S * 1/2015 Stevinson D14/205
 2001/0035242 A1 11/2001 Hughs et al.
 2002/0079244 A1 6/2002 Kwong
 2003/0096640 A1 5/2003 Bae
 2003/0157973 A1 8/2003 Yang
 2005/0150796 A1 7/2005 Wong et al.
 2006/0287006 A1 12/2006 McIntyre et al.
 2007/0154048 A1 7/2007 Chang
 2008/0009329 A1 1/2008 Adler
 2008/0053851 A1 3/2008 Ko et al.
 2008/0080732 A1 4/2008 Sneed
 2008/0090626 A1 4/2008 Griffin et al.
 2008/0242376 A1 10/2008 Lin et al.
 2009/0036175 A1 2/2009 Brandenburg et al.
 2009/0242364 A1 10/2009 Prest et al.
 2010/0096284 A1 4/2010 Bau
 2011/0077061 A1 3/2011 Danze et al.
 2011/0130174 A1 6/2011 Kroupa
 2011/0203954 A1 8/2011 Kroupa
 2011/0317865 A1 12/2011 Stevinson
 2012/0077556 A1 3/2012 McKendrick
 2013/0140195 A1 6/2013 Law et al.
 2013/0148839 A1 6/2013 Stevinson
 2013/0208937 A1 8/2013 Stern et al.
 2013/0237290 A1 9/2013 Simmons, Jr. et al.
 2014/0079237 A1 3/2014 Cataldo et al.
 2014/0105441 A1 4/2014 Kroupa

OTHER PUBLICATIONS

International Search Report with Written Opinion corresponding to International Patent Application No. PCT/US2011/067263, mailed Jul. 11, 2012, 13 pgs.
 Notice of Allowance corresponding to U.S. Appl. No. 13/336,918, mailed Mar. 14, 2014, 11 pgs.
 Notice of Allowance corresponding to U.S. Appl. No. 13/764,666, mailed May 16, 2014, 10 pgs.
 Notice of Allowance corresponding to U.S. Appl. No. 29/409,520, mailed Oct. 3, 2012, 8 pgs.
 Notice of Allowance corresponding to U.S. Appl. No. 29/409,521, mailed Sep. 26, 2012, 7 pgs.
 Notice of Allowance corresponding to U.S. Appl. No. 29/409,525, mailed Jan. 9, 2013, 8 pgs.
 Notice of Allowance corresponding to U.S. Appl. No. 29/409,528, mailed Sep. 26, 2012, 8 pgs.
 Notice of Allowance corresponding to U.S. Appl. No. 29/409,531, mailed Dec. 6, 2013, 11 pgs.

(56)

References Cited

OTHER PUBLICATIONS

Notice of Allowance corresponding to U.S. Appl. No. 29/409,535, mailed Apr. 15, 2013, 7 pgs.
Notice of Allowance corresponding to U.S. Appl. No. 29/445,399, mailed Oct. 7, 2014, 11 pgs.
Notice of Allowance corresponding to U.S. Appl. No. 29/445,400, mailed Oct. 10, 2014, 12 pgs.
Notice of Allowance corresponding to U.S. Appl. No. 29/445,401, mailed Aug. 22, 2014, 8 pgs.
Notice of Allowance corresponding to U.S. Appl. No. 29/445,402, mailed Aug. 21, 2014, 8 pgs.
Notice of Allowance corresponding to U.S. Appl. No. 29/445,403, mailed Oct. 22, 2014, 12 pgs.
Office Action corresponding to U.S. Appl. No. 13/167,662, mailed Sep. 25, 2014, 9 pgs.
Office Action corresponding to U.S. Appl. No. 13/336,918, mailed Sep. 25, 2013, 14 pgs.
Office Action corresponding to U.S. Appl. No. 29/409,529, mailed Dec. 4, 2013, 13 pgs.

Office Action corresponding to U.S. Appl. No. 29/409,529, mailed May 13, 2014, 9 pgs.
Office Action corresponding to U.S. Appl. No. 29/409,547, mailed Jan. 8, 2013, 7 pgs.
Office Action corresponding to U.S. Appl. No. 29/409,547, mailed Jul. 23, 2013, 7 pgs.
Office Action corresponding to U.S. Appl. No. 29/445,408, mailed Oct. 3, 2014, 11 pgs.
Response to Office Action corresponding to U.S. Appl. No. 13/336,918, Dec. 20, 2013, 9 pgs.
Response to Office Action corresponding to U.S. Appl. No. 29/409,529, filed Mar. 3, 2014, 16 pgs.
Response to Office Action corresponding to U.S. Appl. No. 29/409,547, Apr. 8, 2013, 9 pgs.
Response to Restriction Requirement corresponding to U.S. Appl. No. 29/445,397, Oct. 27, 2014, 5 pgs.
Restriction Requirement corresponding to U.S. Appl. No. 29/445,397, mailed Aug. 28, 2014, 7 pgs.
Restriction Requirement corresponding to U.S. Appl. No. 29/453,281, mailed Sep. 4, 2014, 7 pgs.

* cited by examiner

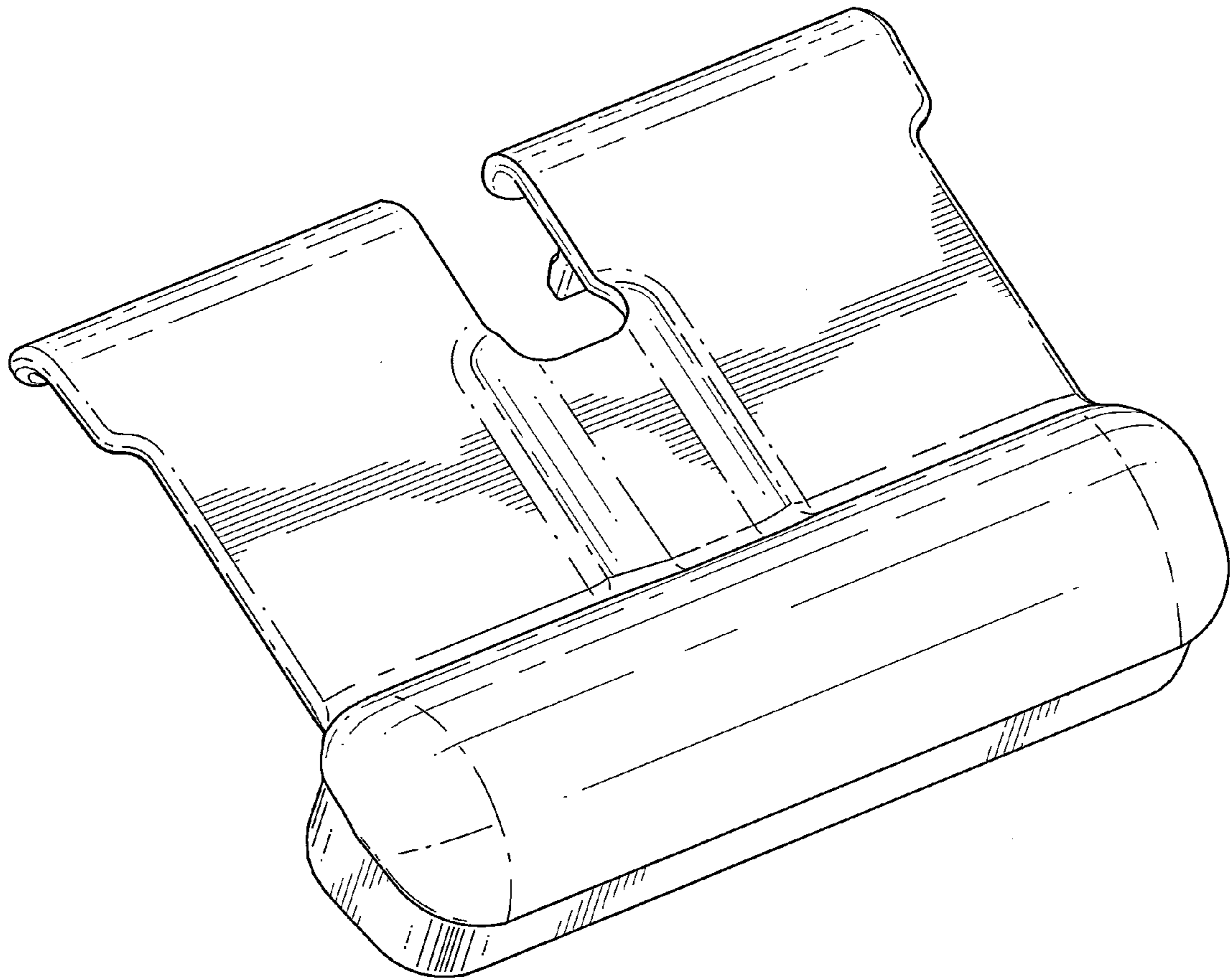


FIG. 1

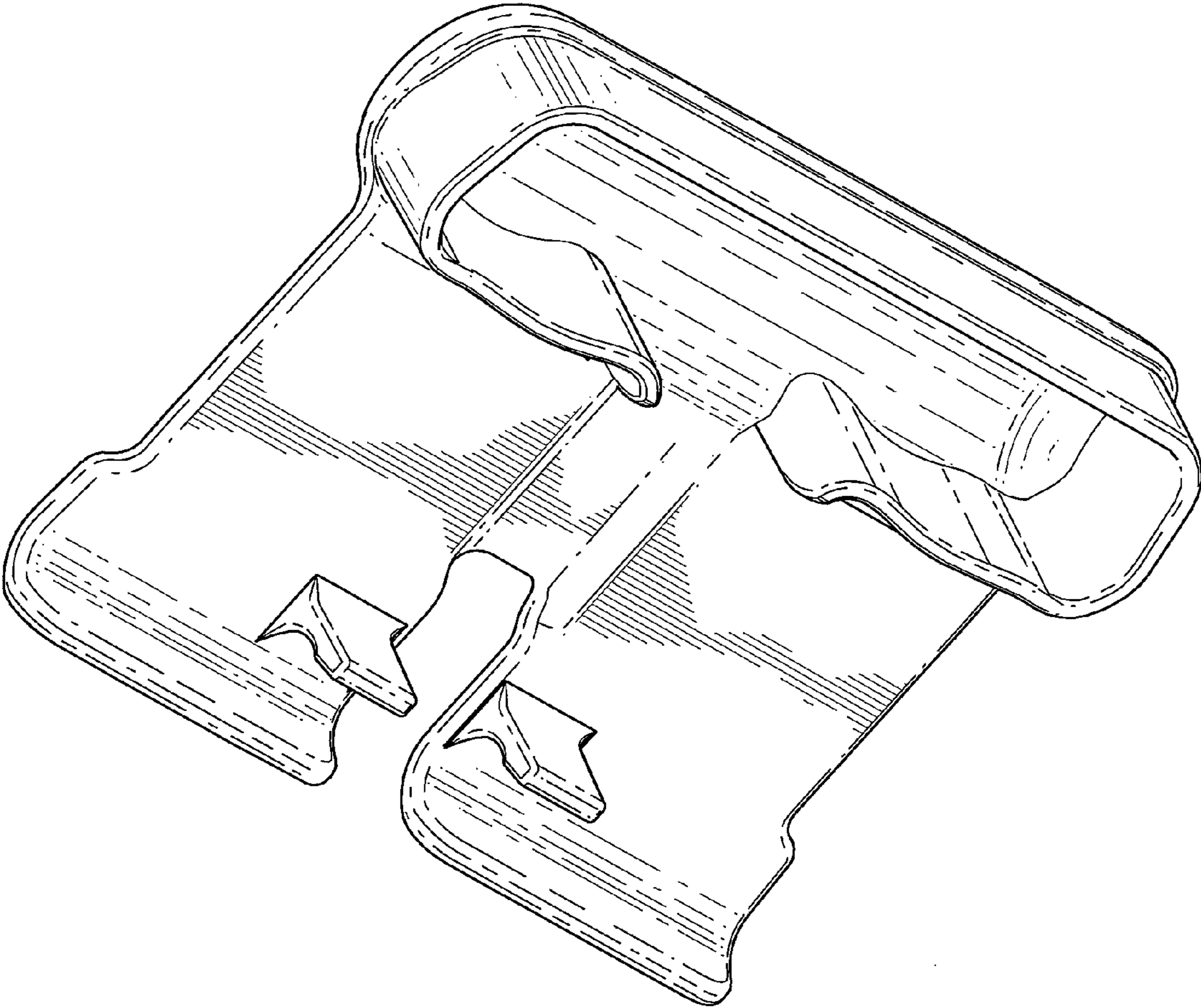


FIG. 2

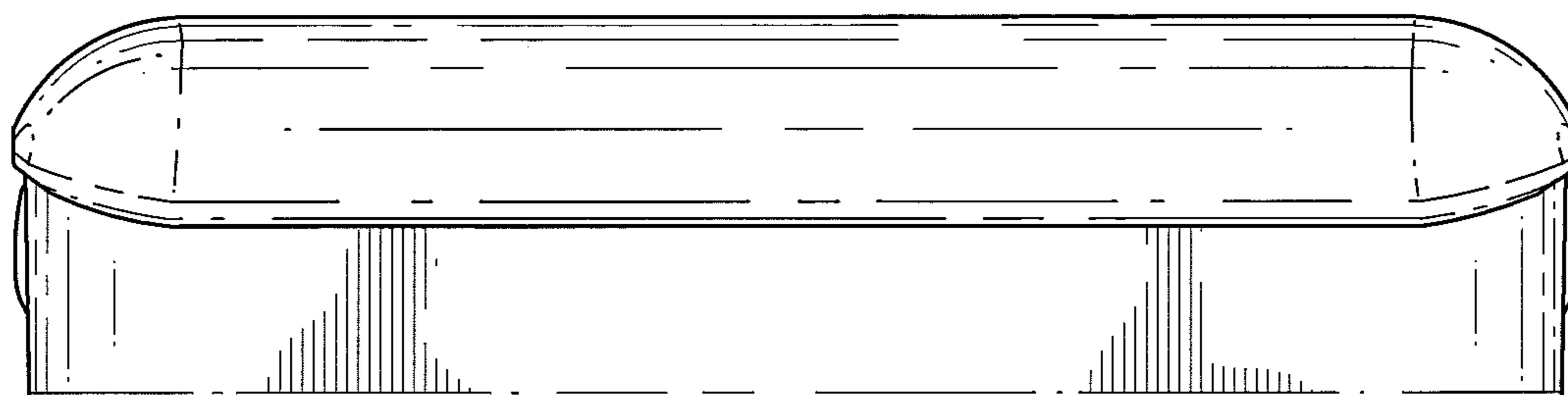


FIG. 3

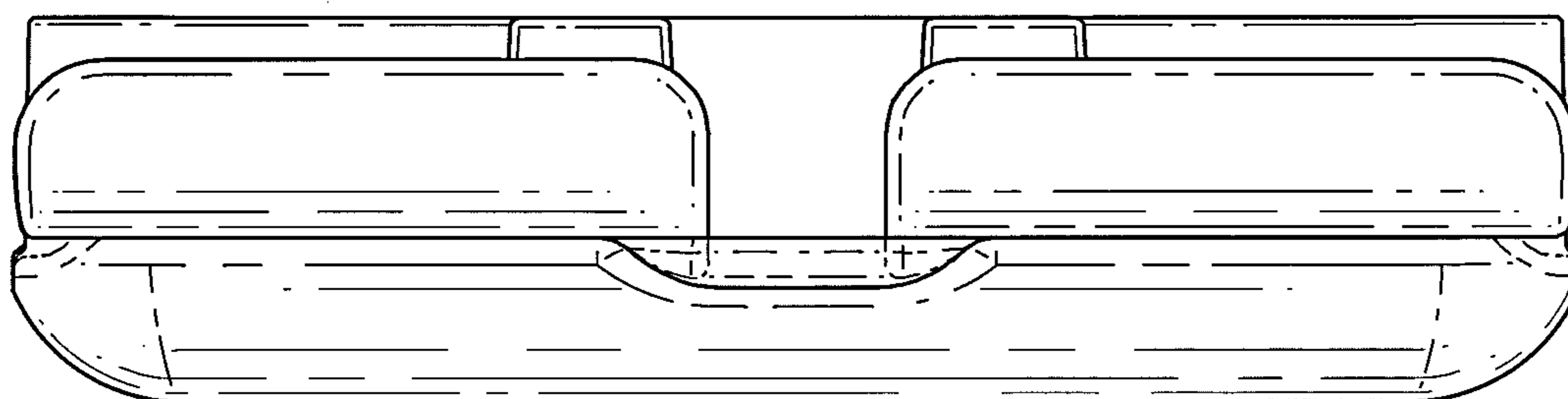


FIG. 4

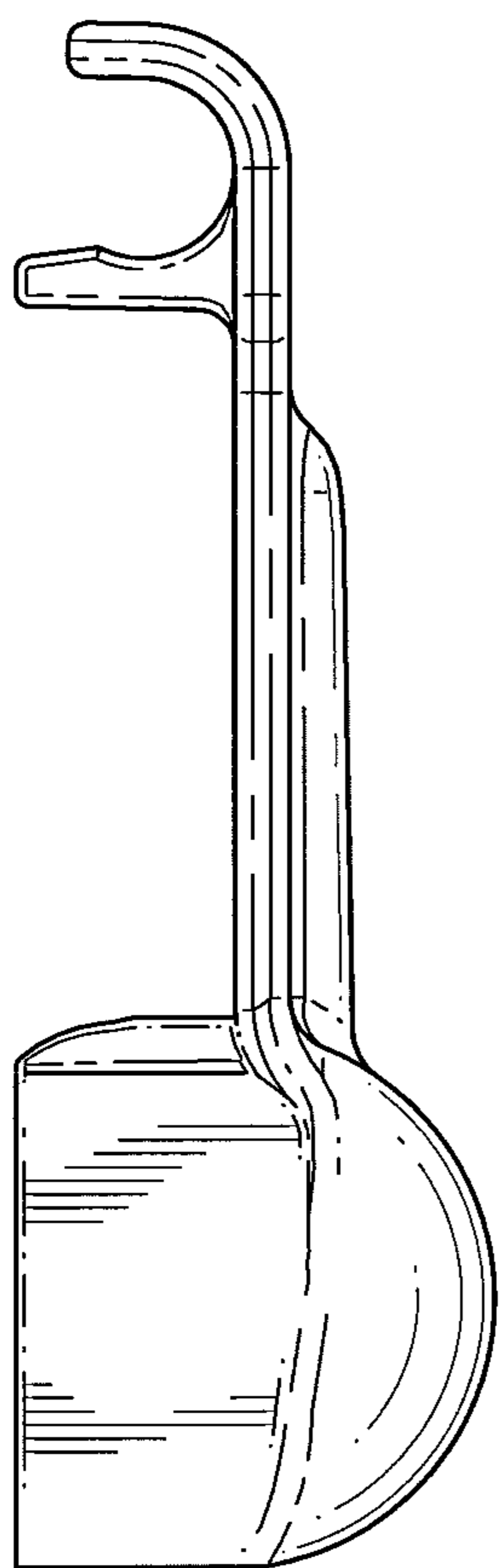


FIG. 5

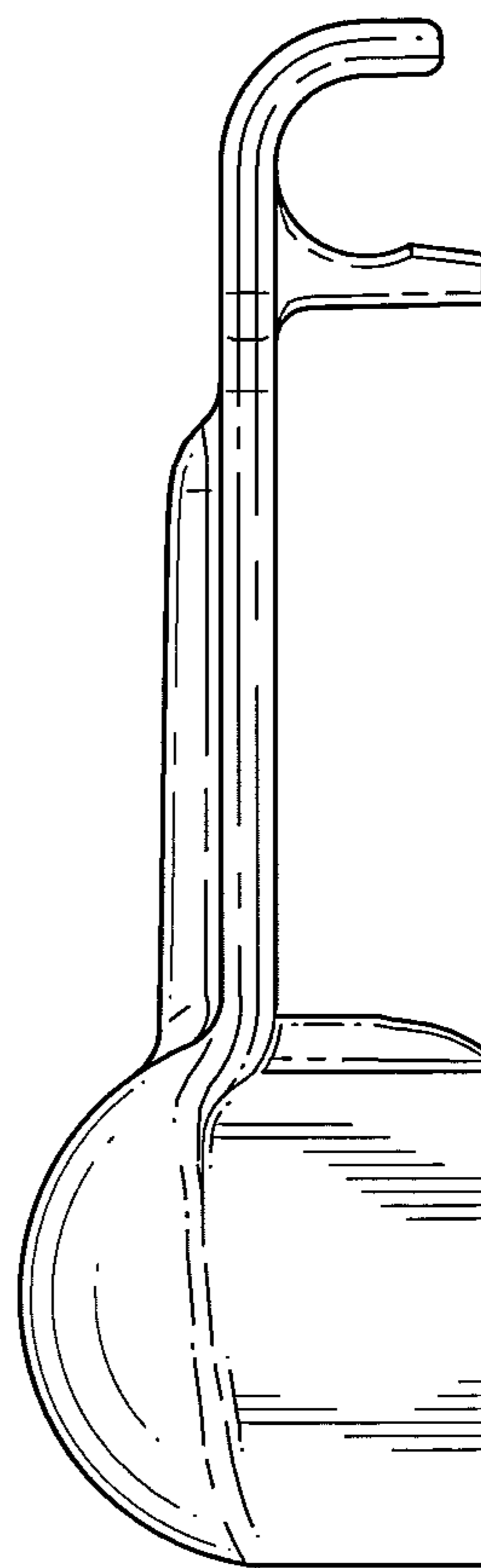


FIG. 6

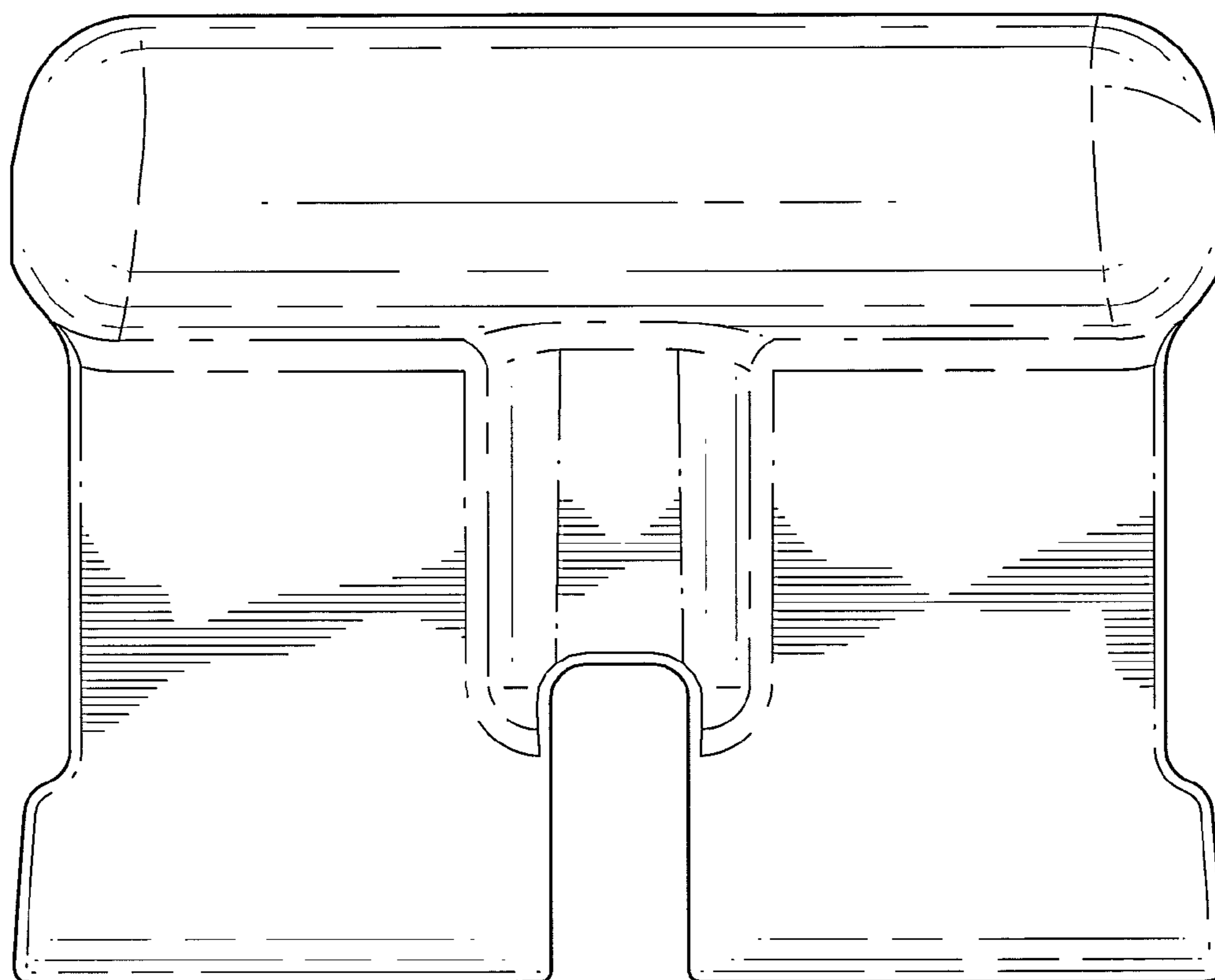


FIG. 7

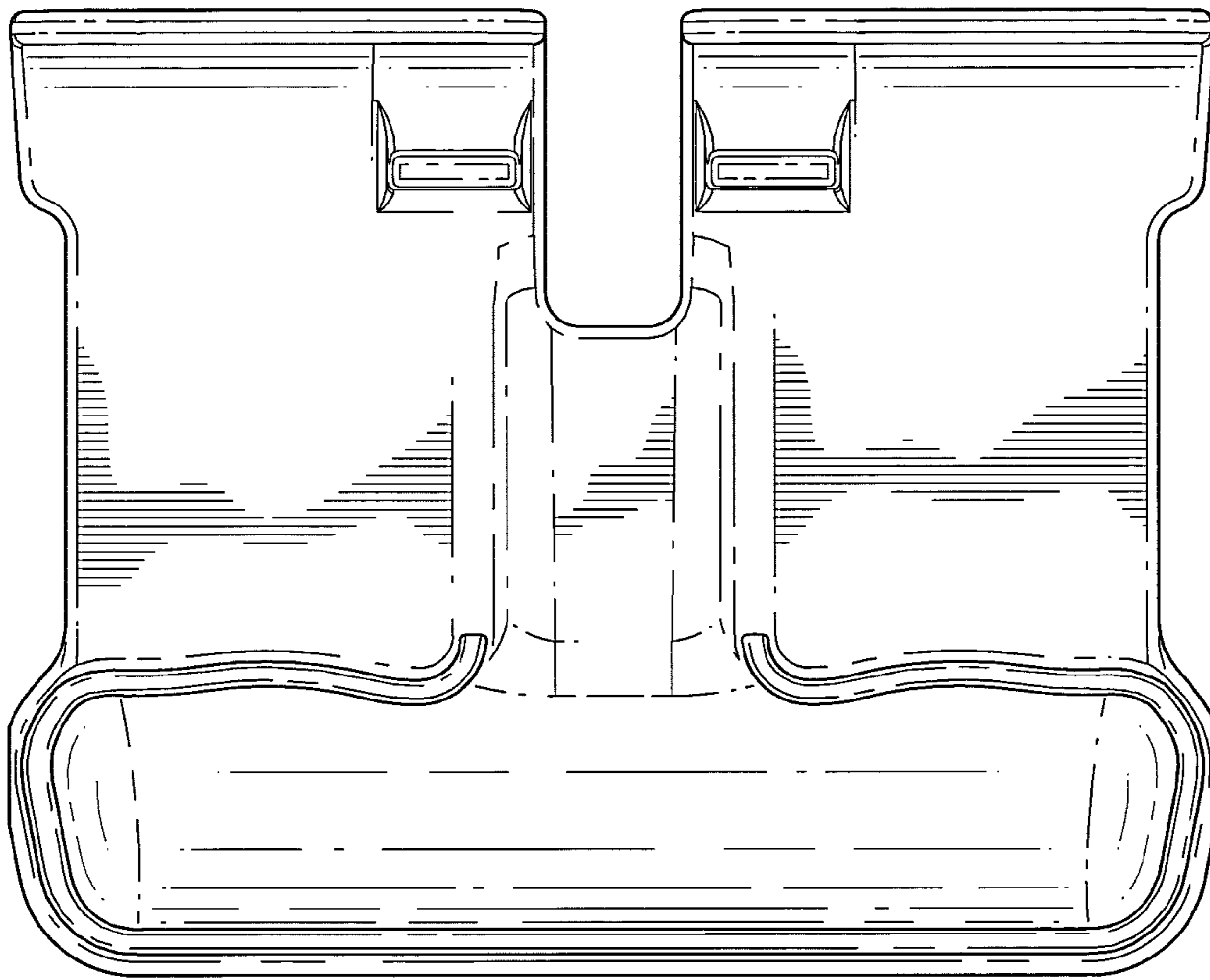


FIG. 8

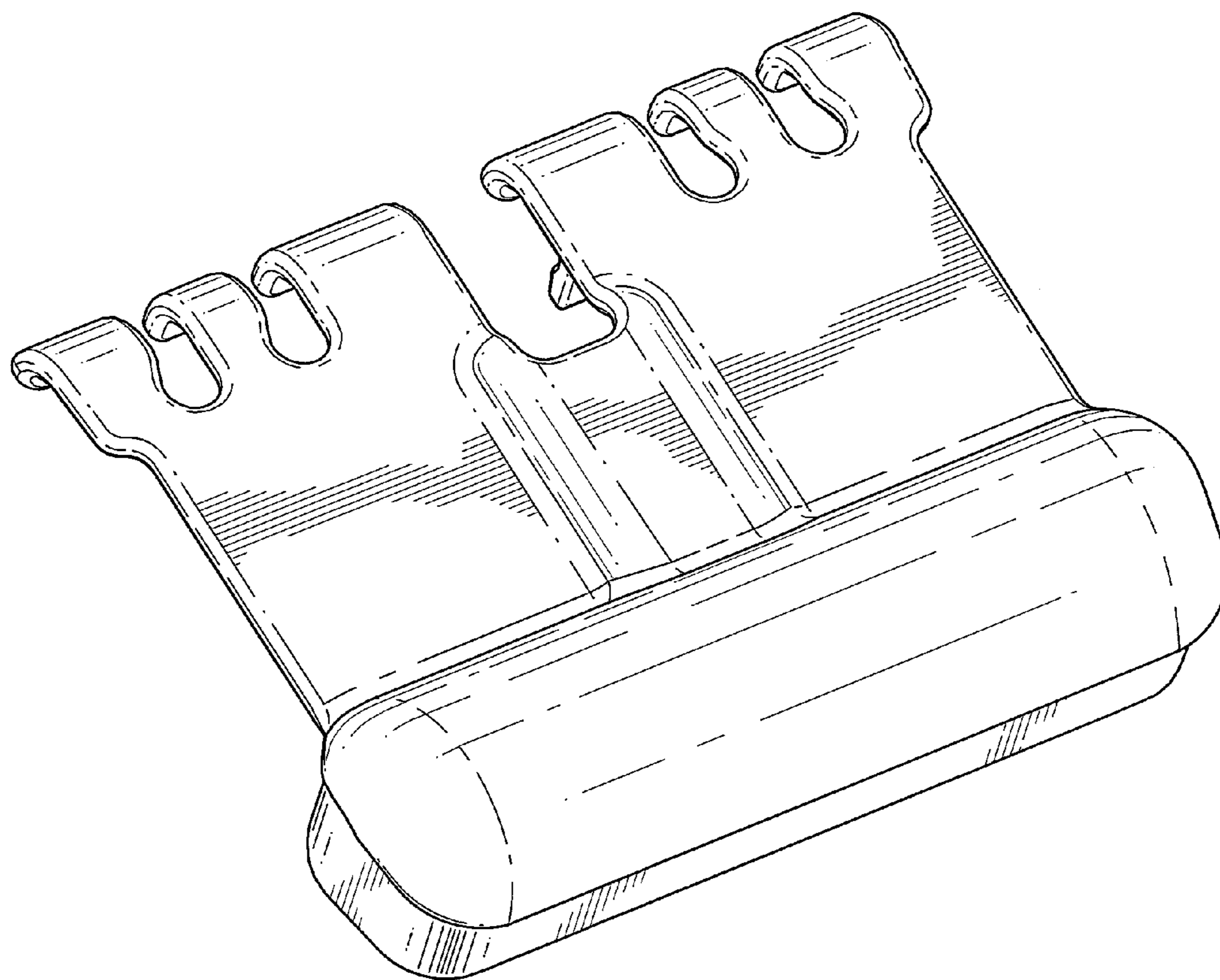


FIG. 9

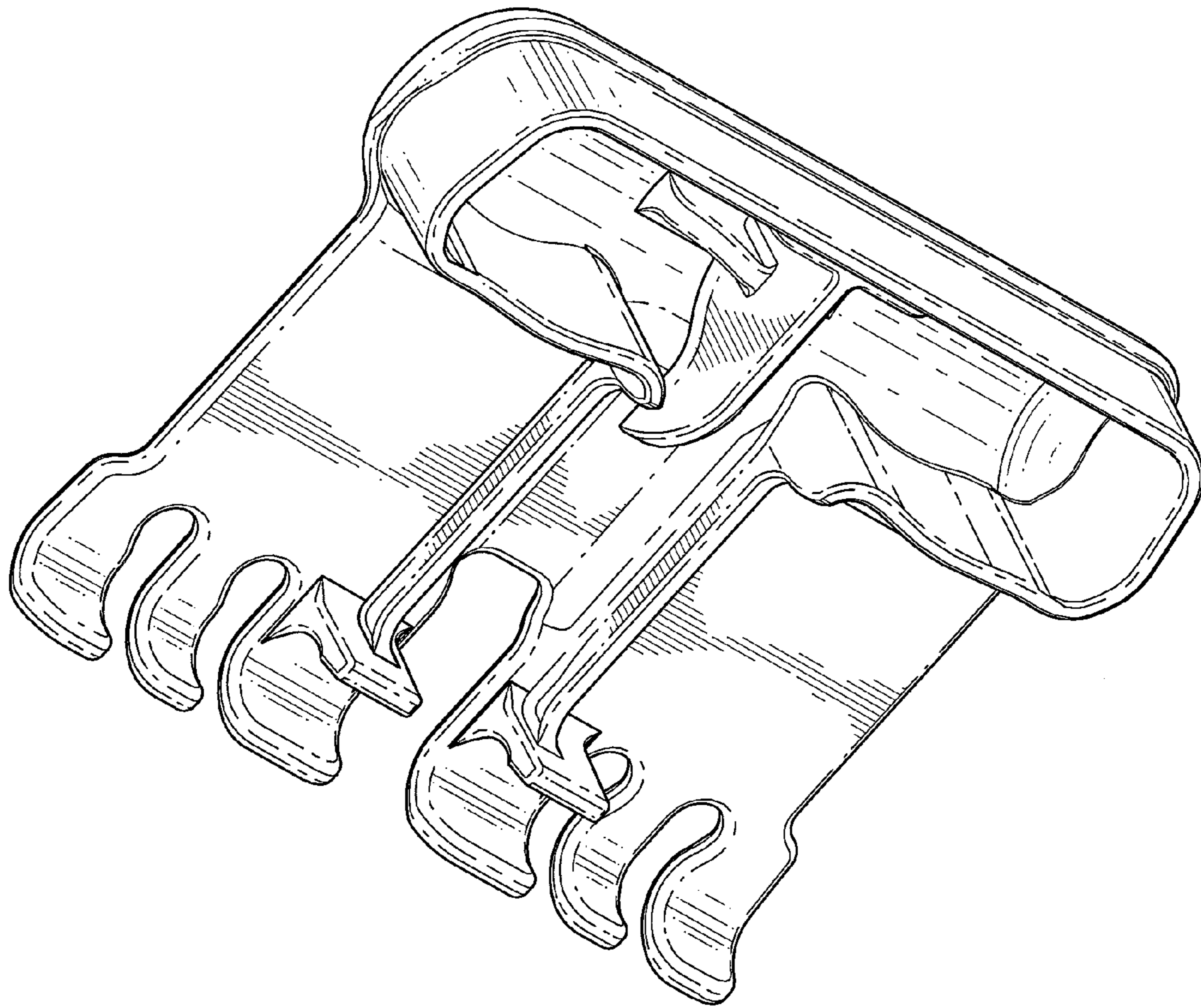


FIG. 10

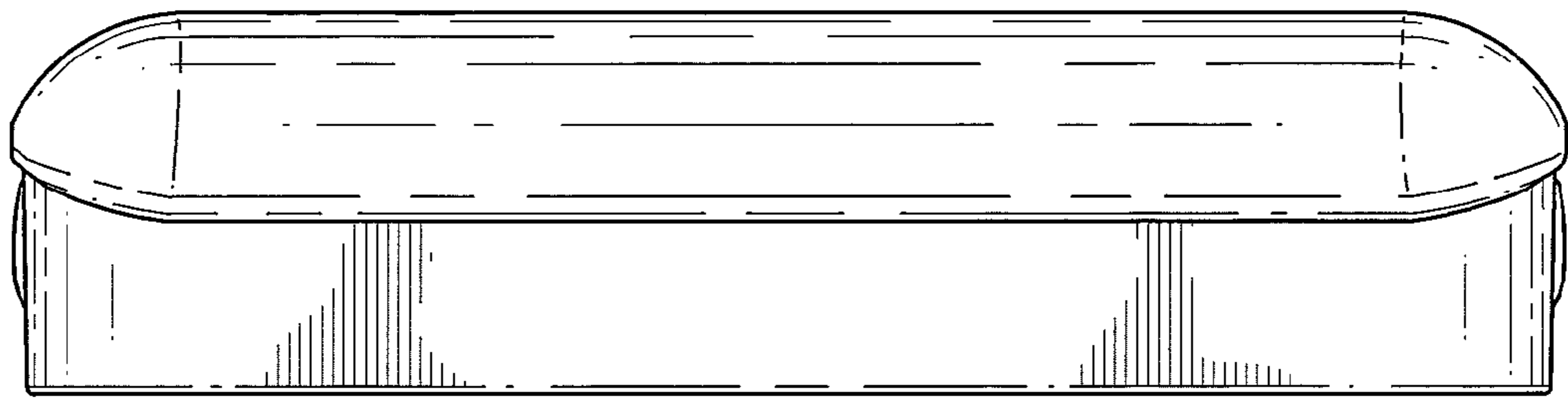


FIG. 11

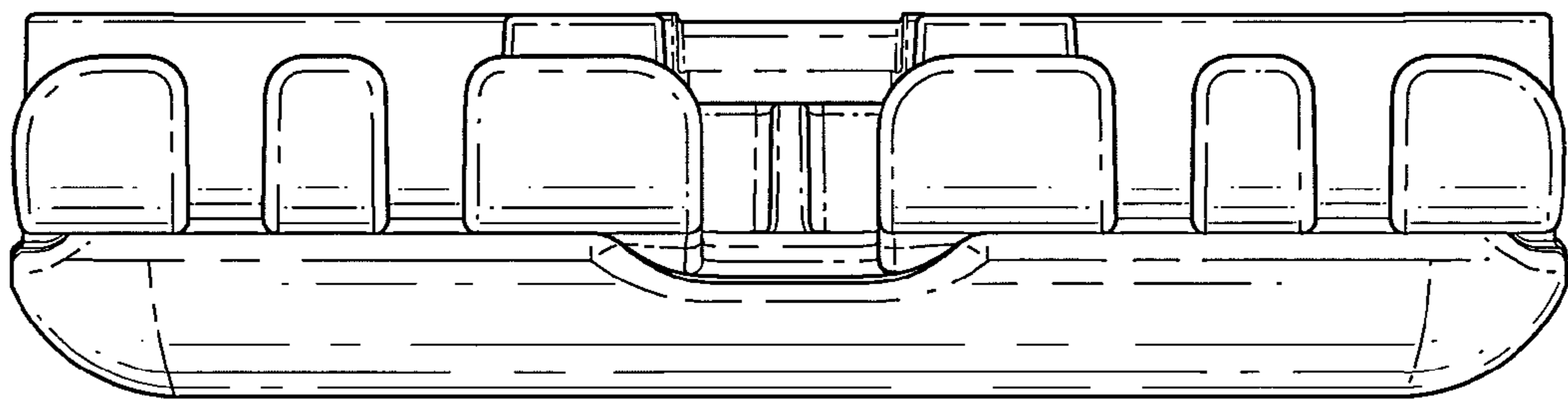


FIG. 12

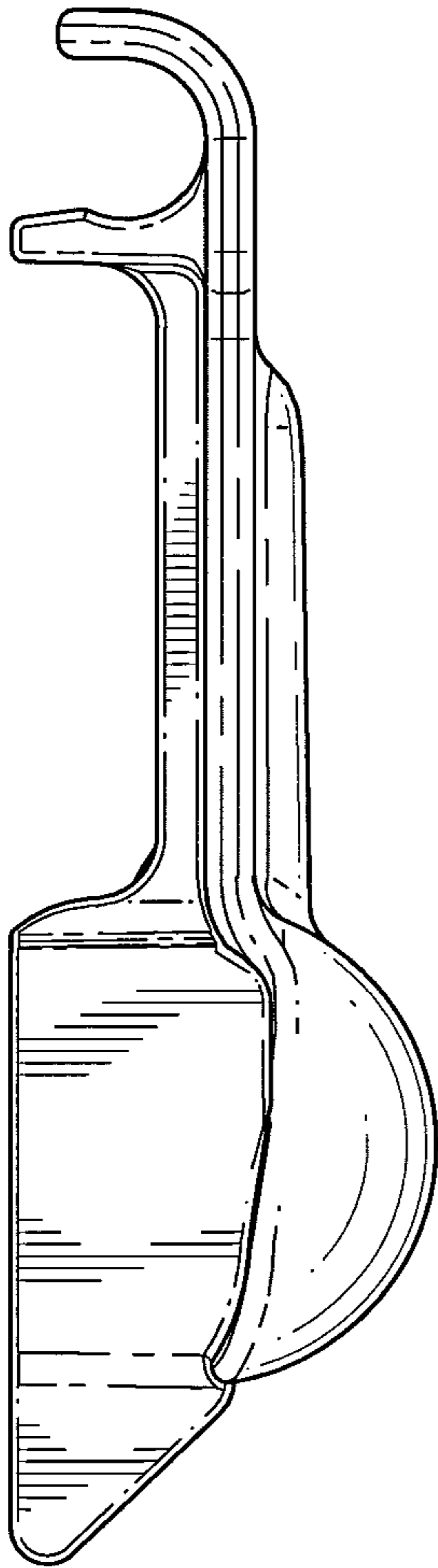


FIG. 13

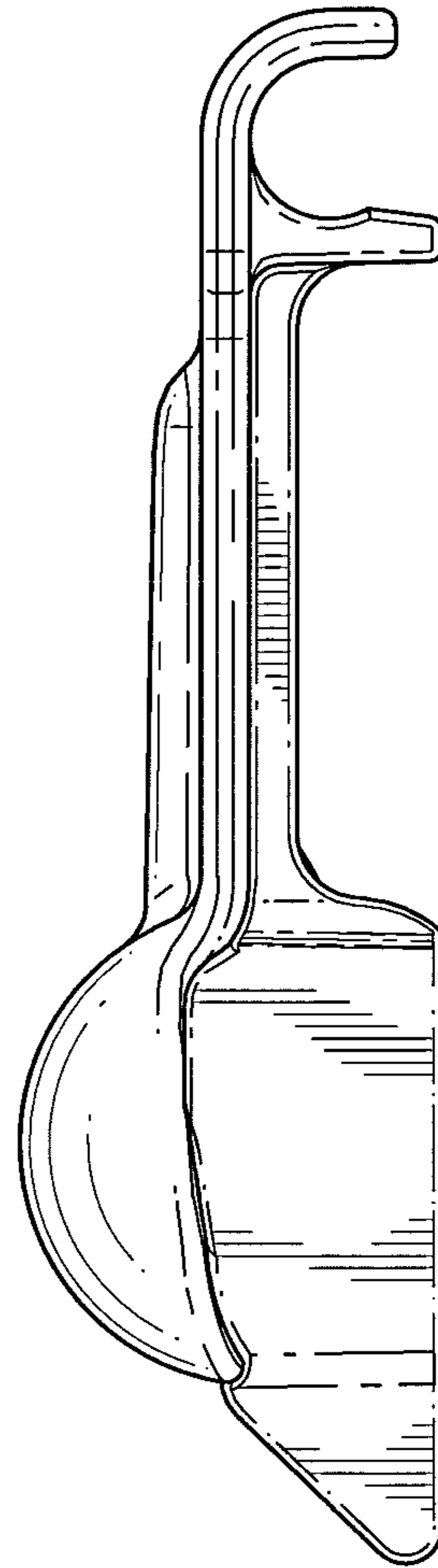


FIG. 14

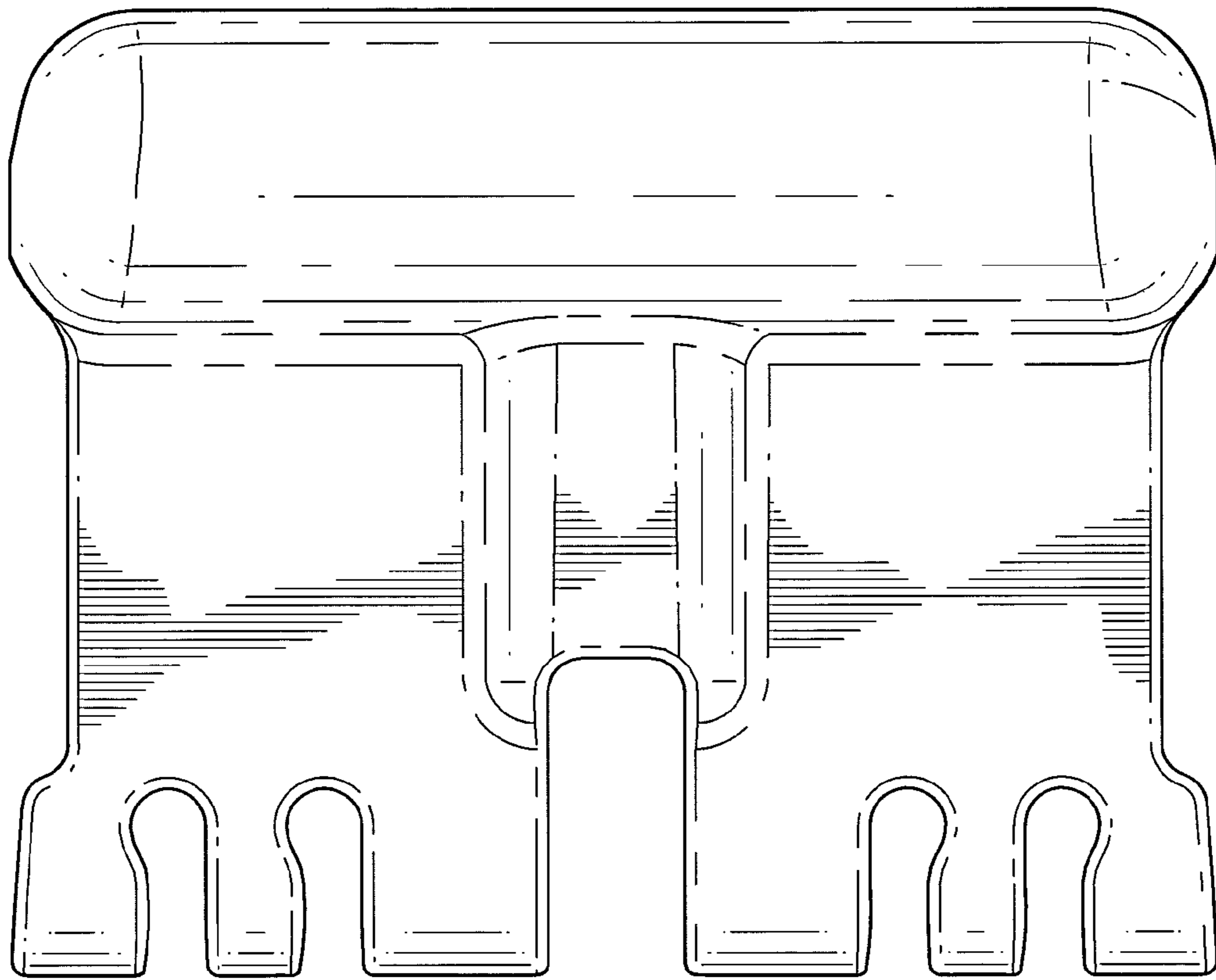


FIG. 15

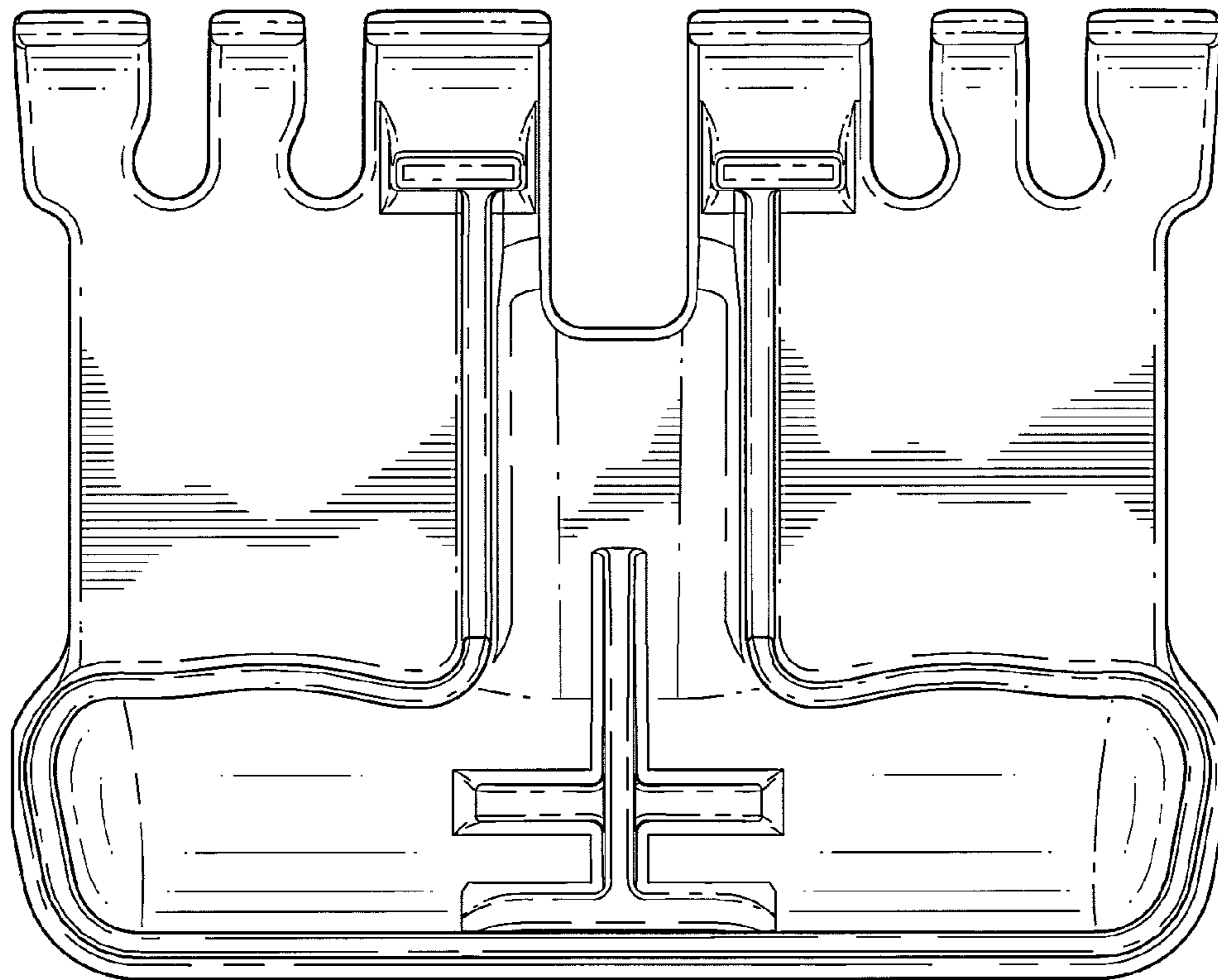


FIG. 16