



US00D730312S

(12) **United States Design Patent**  
**Larsen et al.**

(10) **Patent No.:** **US D730,312 S**

(45) **Date of Patent:** **\*\* May 26, 2015**

(54) **COMBINED LOUDSPEAKER AND  
SPEAKERPHONE**

(75) Inventors: **Steffen Molgaard Larsen**, Copenhagen  
(DK); **Rasmus Trudslev Pedersen**,  
Copenhagen (DK); **Thomas Laenner**,  
Copenhagen (DK)

(73) Assignee: **GN Netcom A/S** (DK)

(\*\*) Term: **14 Years**

(21) Appl. No.: **29/430,015**

(22) Filed: **Aug. 20, 2012**

(30) **Foreign Application Priority Data**

Feb. 21, 2012 (EM) ..... 001995291-0001

(51) **LOC (10) Cl.** ..... **14-03**

(52) **U.S. Cl.**  
USPC ..... **D14/168**; D14/204; D14/185

(58) **Field of Classification Search**  
USPC ..... D14/140, 142-144, 167, 168, 170-172,  
D14/188, 194-196, 204, 207, 209.1,  
D14/210-216, 219, 221, 222, 224, 240, 243,  
D14/496; 181/143, 144, 147, 148, 150, 153,  
181/157, 198, 199; 381/300-303, 306, 332,  
381/333, 336, 345, 361-364, 386-388;  
369/6-12

See application file for complete search history.

(56) **References Cited**

U.S. PATENT DOCUMENTS

D317,911 S *	7/1991	Yokoi .....	D14/453
D442,925 S *	5/2001	Backs et al. ....	D14/126
D444,777 S *	7/2001	Bird et al. ....	D14/150
D462,952 S *	9/2002	Anderson et al. ....	D14/299
D525,962 S *	8/2006	Elson .....	D14/149
D526,990 S *	8/2006	Slevin et al. ....	D14/149
D583,317 S *	12/2008	Kagami et al. ....	D13/108
D630,640 S *	1/2011	Kuo .....	D14/480.5
D697,026 S *	1/2014	Dasbach .....	D13/108
D707,203 S *	6/2014	Xie et al. ....	D14/214

\* cited by examiner

*Primary Examiner* — Keli L Hill

(74) *Attorney, Agent, or Firm* — Altera Law Group, LLC

(57) **CLAIM**

The ornamental design for a combined loudspeaker and speakerphone, as shown and described.

**DESCRIPTION**

FIG. 1 is a side perspective view of the combined loudspeaker and speakerphone, embodying our new design.

FIG. 2 is a side elevation view thereof.

FIG. 3 is a top plan view thereof.

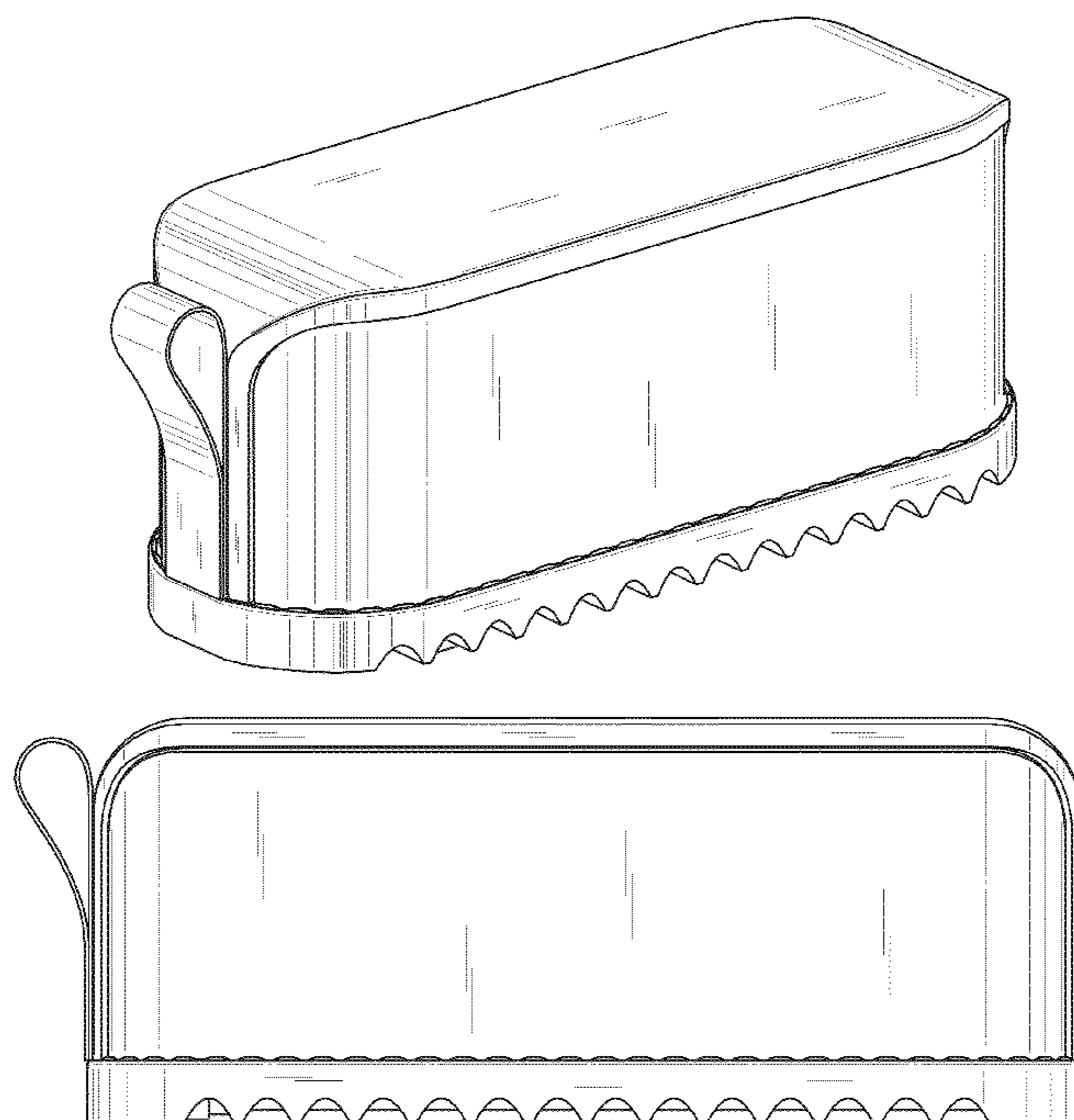
FIG. 4 is a bottom plan view thereof.

FIG. 5 is an end elevation thereof; and,

FIG. 6 is the opposite end elevation view thereof.

The broken lines shown in the drawings represent unclaimed portions of the combined loudspeaker and speakerphone and form no part of the claimed design.

**1 Claim, 4 Drawing Sheets**



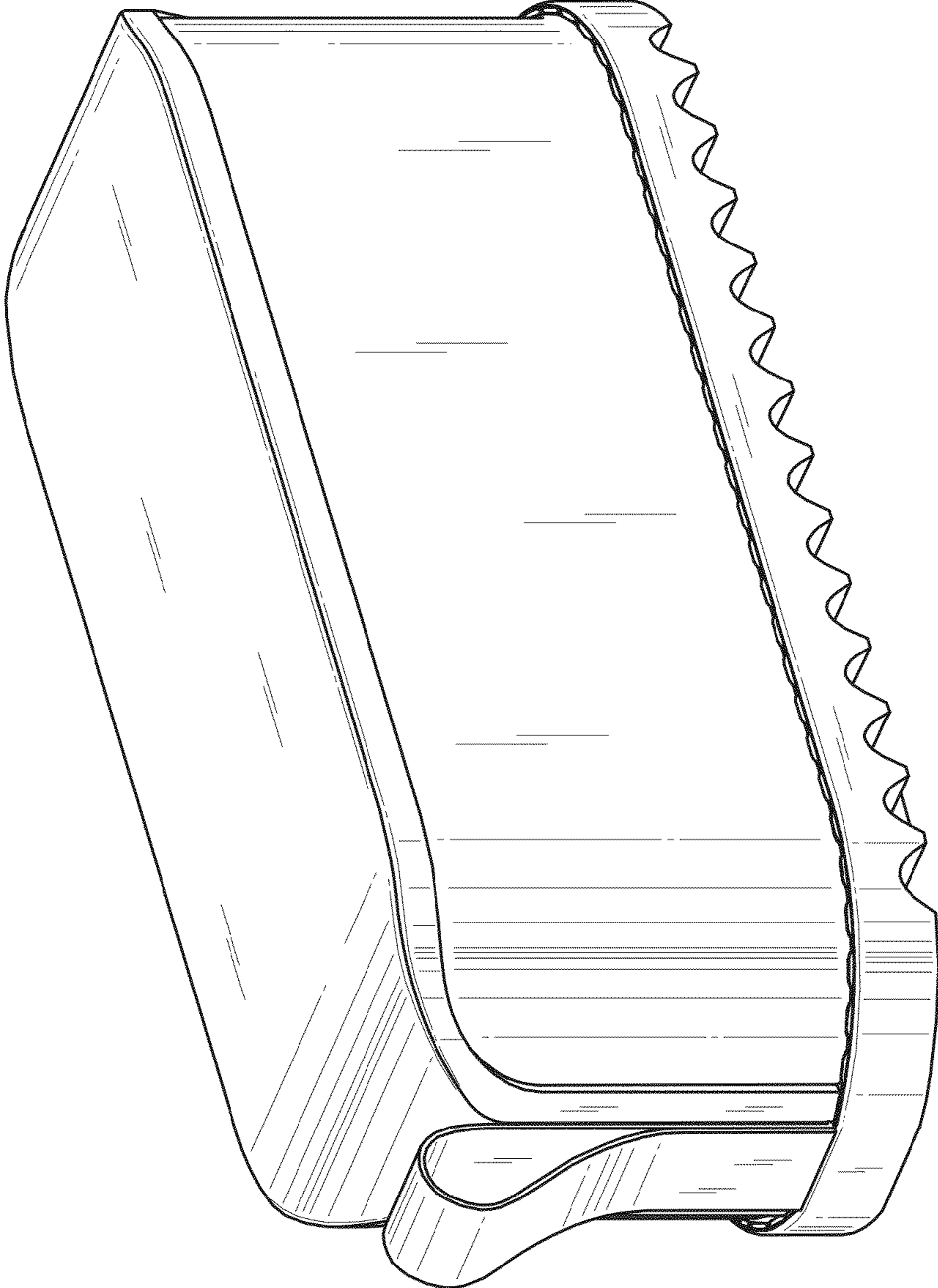


Fig. 1

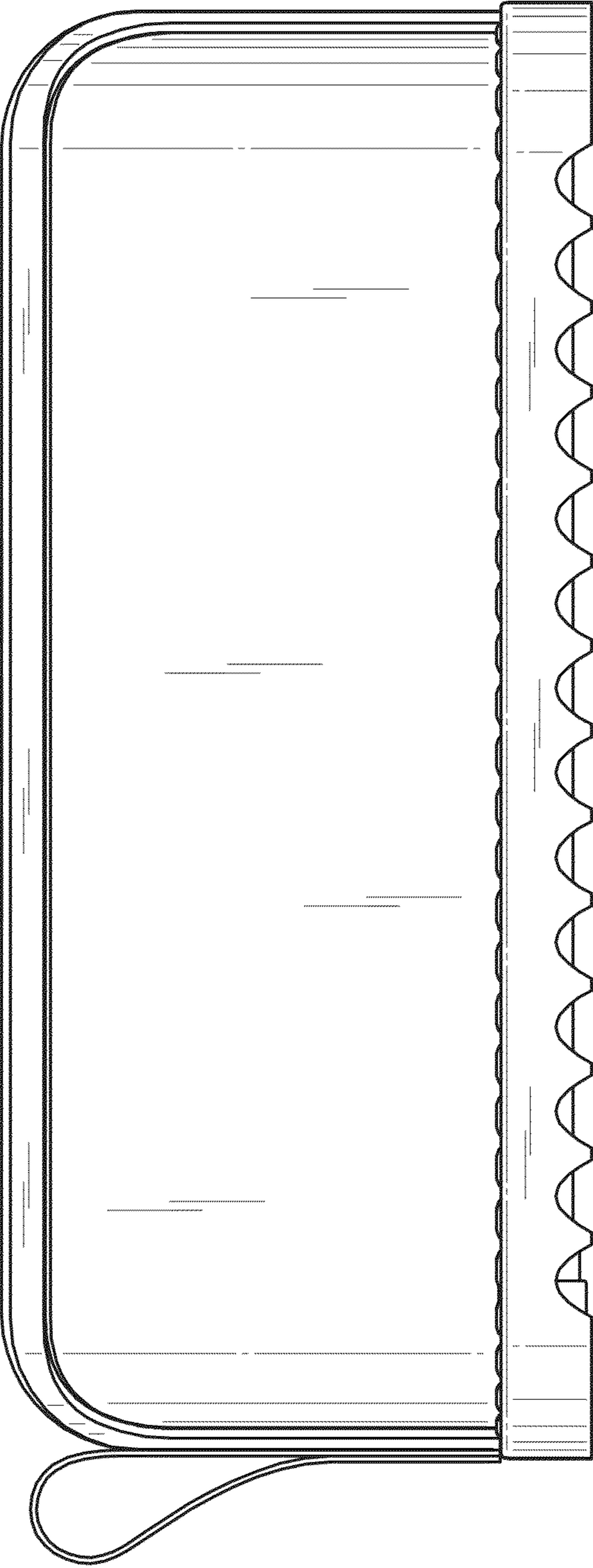


Fig. 2

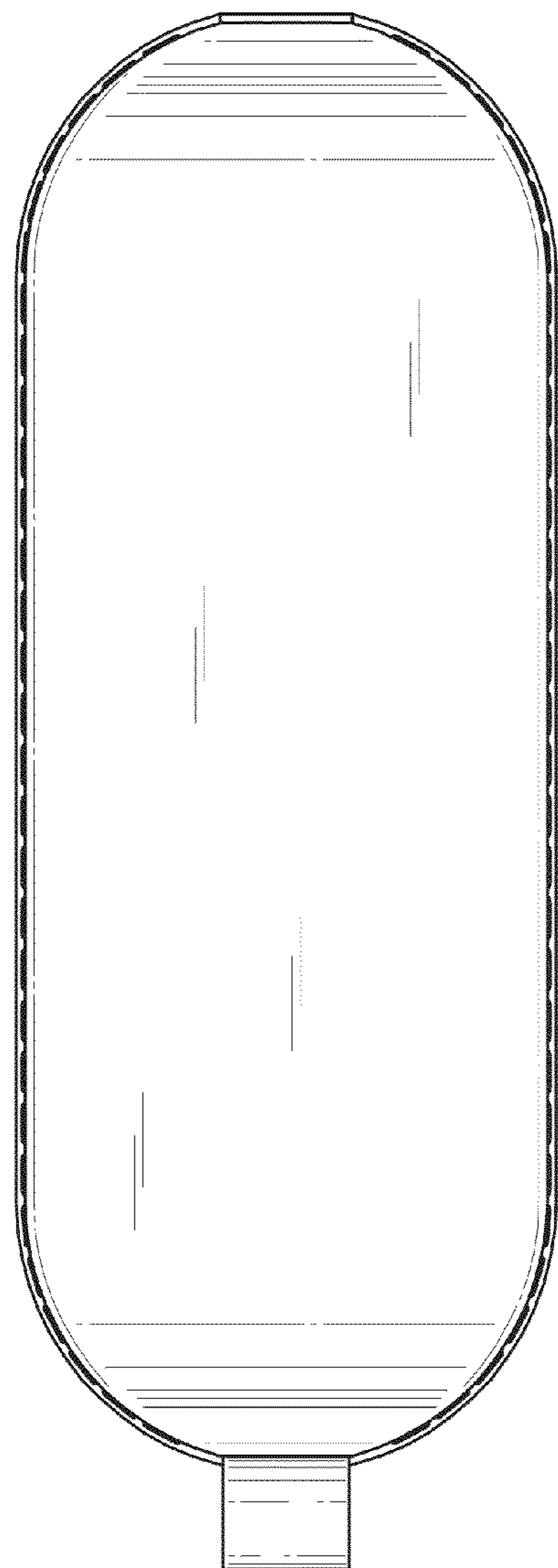


Fig. 3

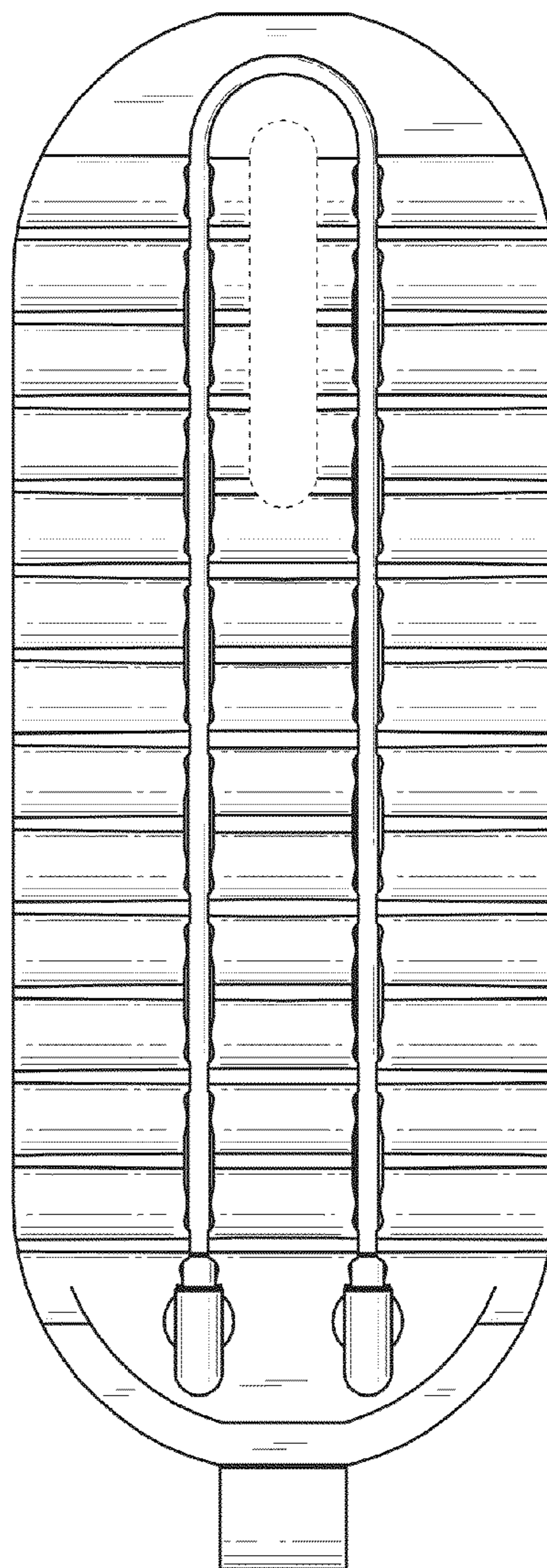


Fig. 4

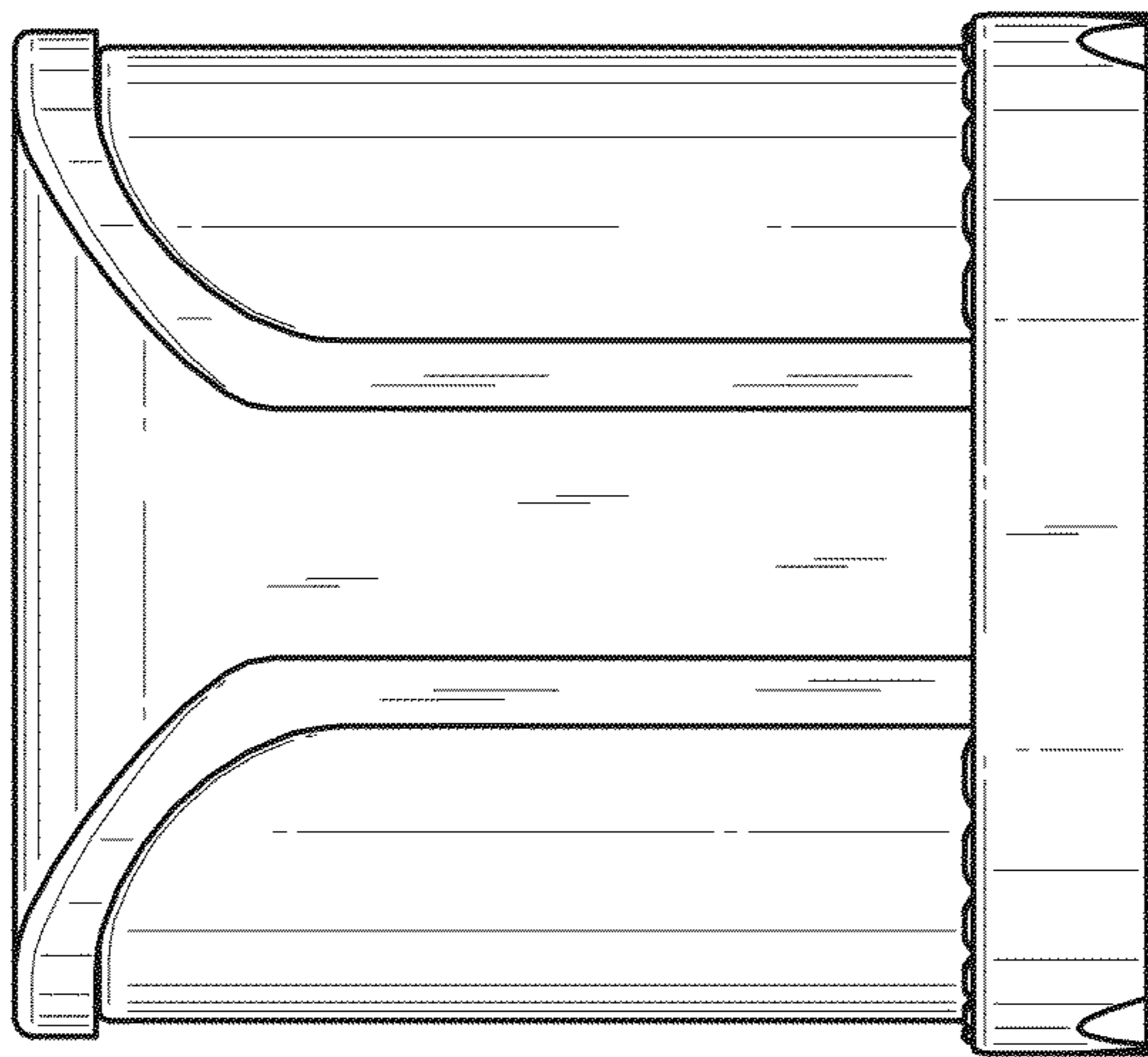


Fig. 6

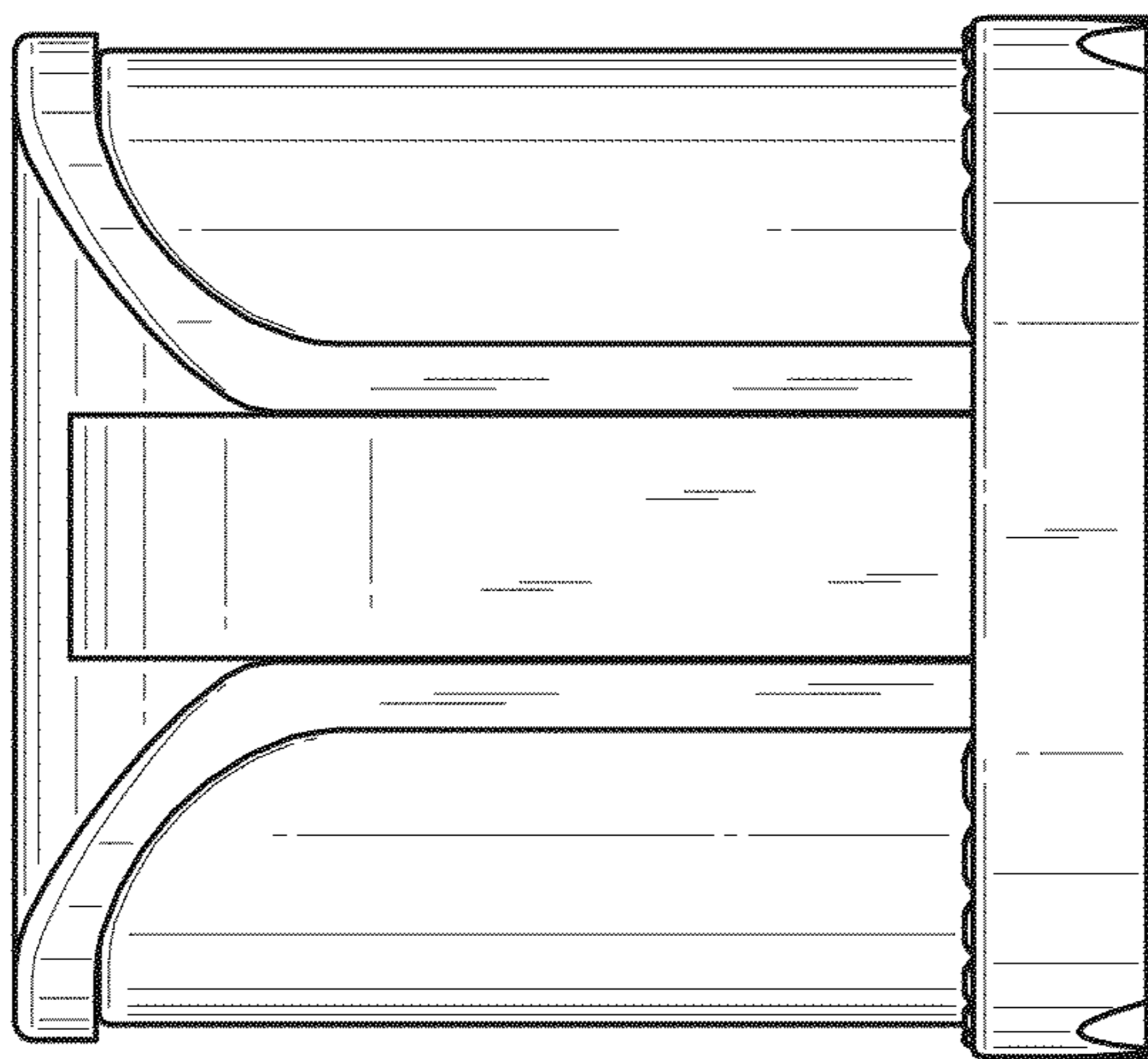


Fig. 5