



US00D730311S

(12) **United States Design Patent**  
**Reimer et al.**

(10) **Patent No.:** **US D730,311 S**  
(45) **Date of Patent:** **\*\* May 26, 2015**

- (54) **WIRELESS TRANSMITTER**
- (71) Applicant: **Robert Bosch GmbH**, Stuttgart (DE)
- (72) Inventors: **Michael Earl Reimer**, Batavia, NY (US); **James Bruce Thornton**, Webster, NY (US); **Robert Edwin Walters**, Webster, NY (US)
- (73) Assignee: **Robert Bosch GmbH**, Stuttgart (DE)
- (\*\*) Term: **14 Years**
- (21) Appl. No.: **29/514,534**
- (22) Filed: **Jan. 13, 2015**

D555,528 S	11/2007	Viscaino	
D556,199 S	11/2007	Song	
D561,198 S *	2/2008	Zhang	D14/496
D563,334 S	3/2008	Wang	
D566,710 S	4/2008	Chun et al.	
D589,914 S *	4/2009	Wang et al.	D14/125
D604,254 S *	11/2009	Lanfear et al.	D13/162
D609,701 S	2/2010	Hou	
D641,019 S *	7/2011	Chen et al.	D14/356
D647,920 S	11/2011	Luo	
D663,319 S *	7/2012	Chen et al.	D14/496
D680,458 S	4/2013	Corso et al.	
D681,034 S	4/2013	Chen	
D699,614 S *	2/2014	Ke	D10/106.95
D699,615 S *	2/2014	Ke	D10/106.95
D699,616 S *	2/2014	Ke	D10/106.95
D708,977 S	7/2014	Corso et al.	
D709,854 S	7/2014	Pan	
D723,504 S *	3/2015	Reimer et al.	D14/155
2006/0238529 A1	10/2006	Lavelle et al.	

**Related U.S. Application Data**

- (62) Division of application No. 29/426,361, filed on Jul. 3, 2012, now Pat. No. Des. 723,504.
- (51) **LOC (10) Cl.** ..... **14-03**
- (52) **U.S. Cl.**  
USPC ..... **D14/155**
- (58) **Field of Classification Search**  
CPC ..... G08C 17/00; H02J 7/0052; H02J 5/005;  
H03K 5/003; H04B 1/04  
USPC ..... D14/167, 154, 168, 188, 496, 156, 160,  
D14/161, 162, 163, 164, 165, 158, 159, 341,  
D14/346, 342, 345, 137, 155, 218, 225;  
D16/208; D26/38; 455/351, 350;  
D10/104.1, 106, 65; D3/207  
See application file for complete search history.

(56) **References Cited**

**U.S. PATENT DOCUMENTS**

D297,128 S	8/1988	Guscott et al.	
D303,638 S	9/1989	Andrews et al.	
D541,272 S *	4/2007	Wang	D14/356

\* cited by examiner

*Primary Examiner* — Austin Murphy

(74) *Attorney, Agent, or Firm* — Michael Best Friedrich LLP

(57) **CLAIM**

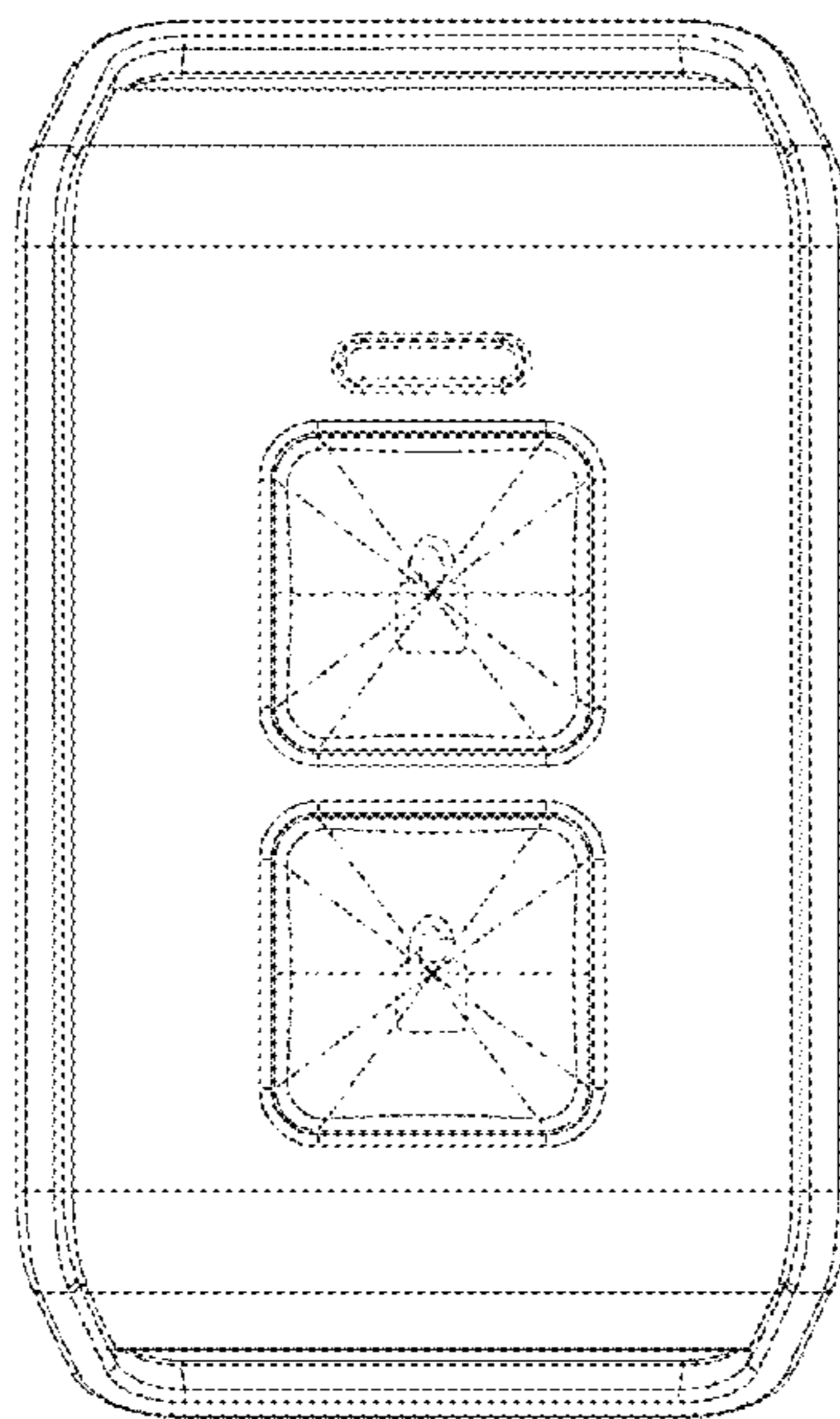
What is claimed is the ornamental design for a wireless transmitter, as shown and described.

**DESCRIPTION**

FIG. 1 is a front view of the wireless transmitter;  
 FIG. 2 is a bottom right perspective view thereof;  
 FIG. 3 is a rear view thereof;  
 FIG. 4 is a right side view thereof;  
 FIG. 5 is a left side view thereof;  
 FIG. 6 is a top view thereof; and,  
 FIG. 7 is a bottom view thereof.

The portions of the Figures shown in broken lines disclose environmental structure and form no part of the claimed design.

**1 Claim, 5 Drawing Sheets**



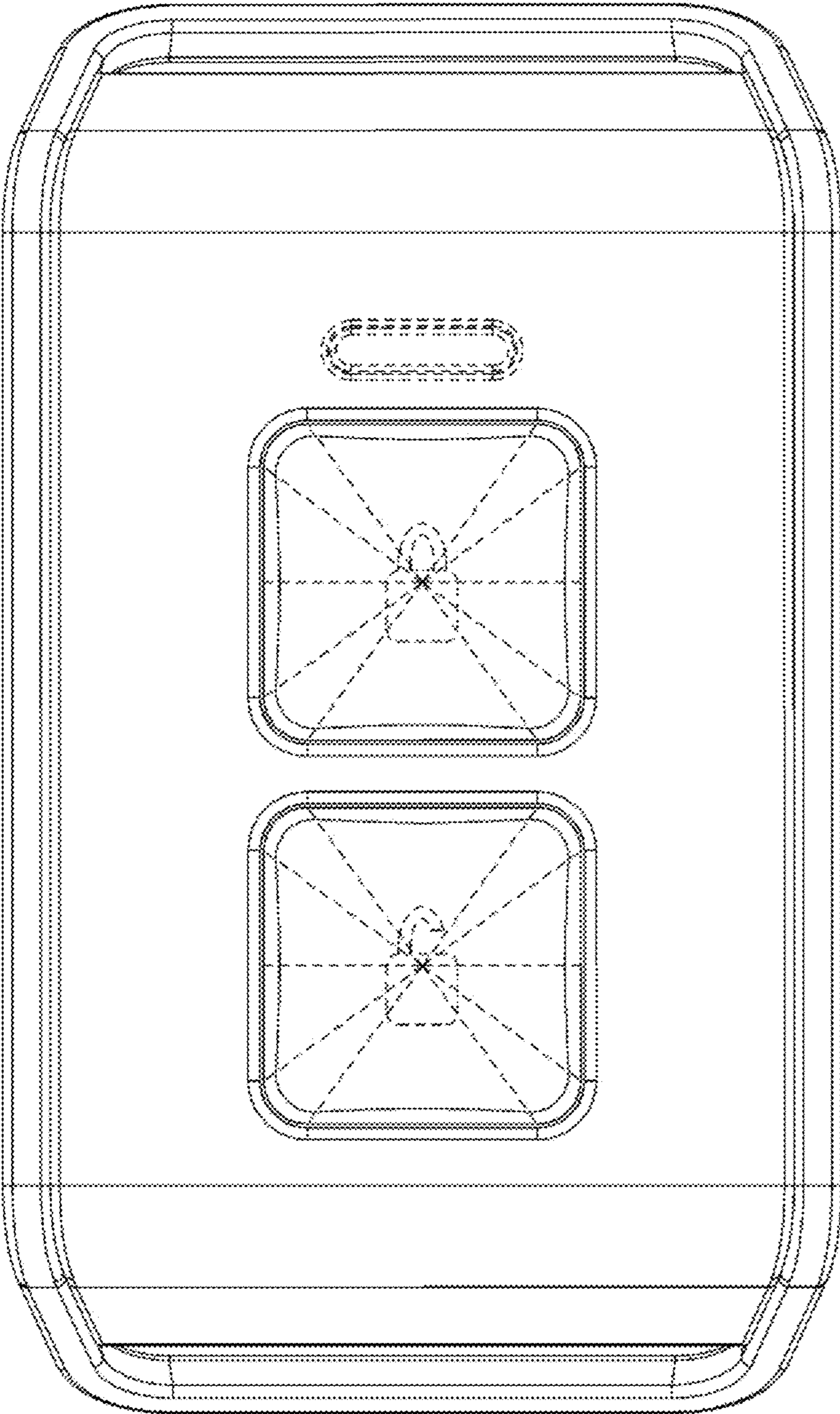


Fig. 1

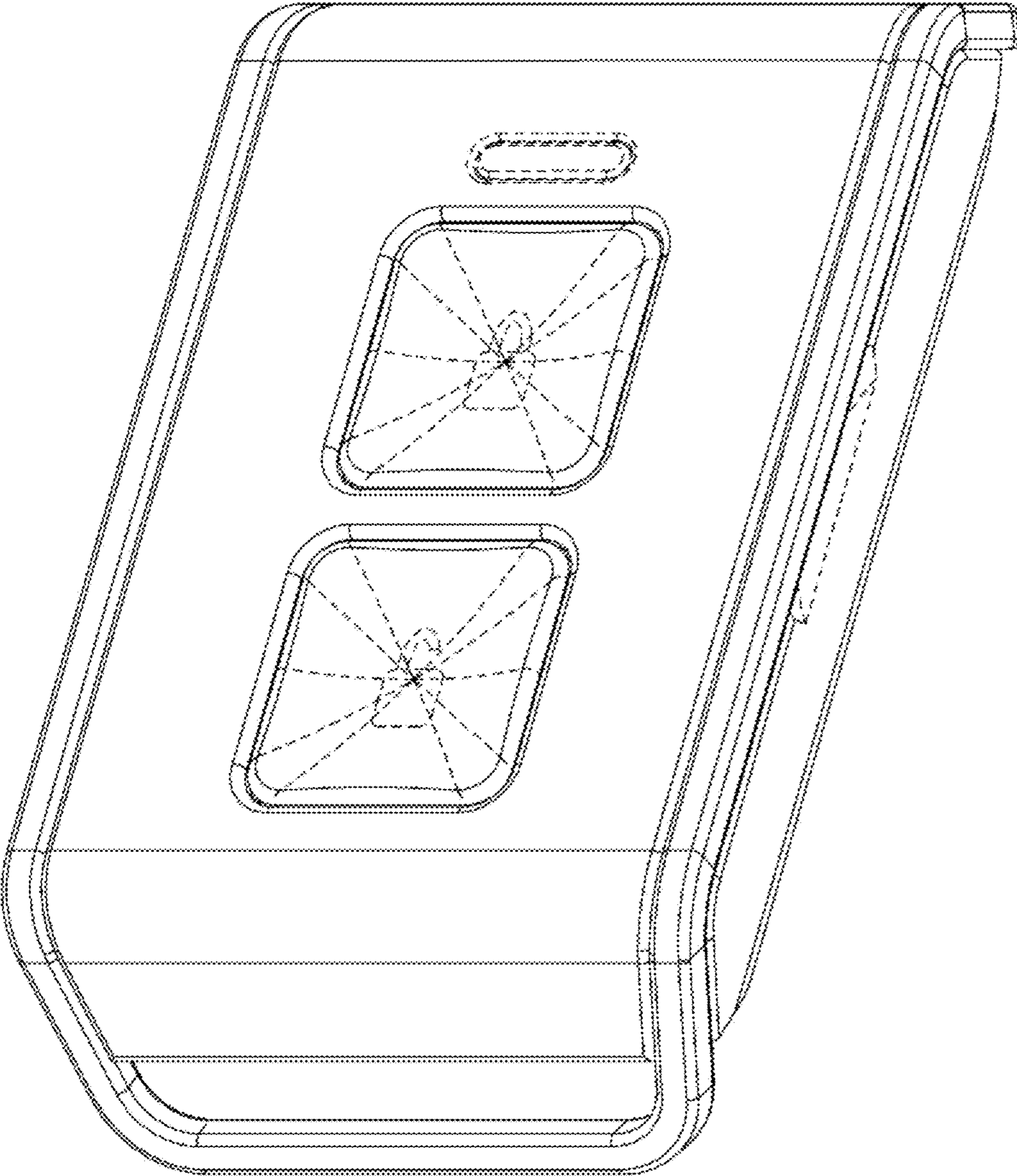


Fig. 2

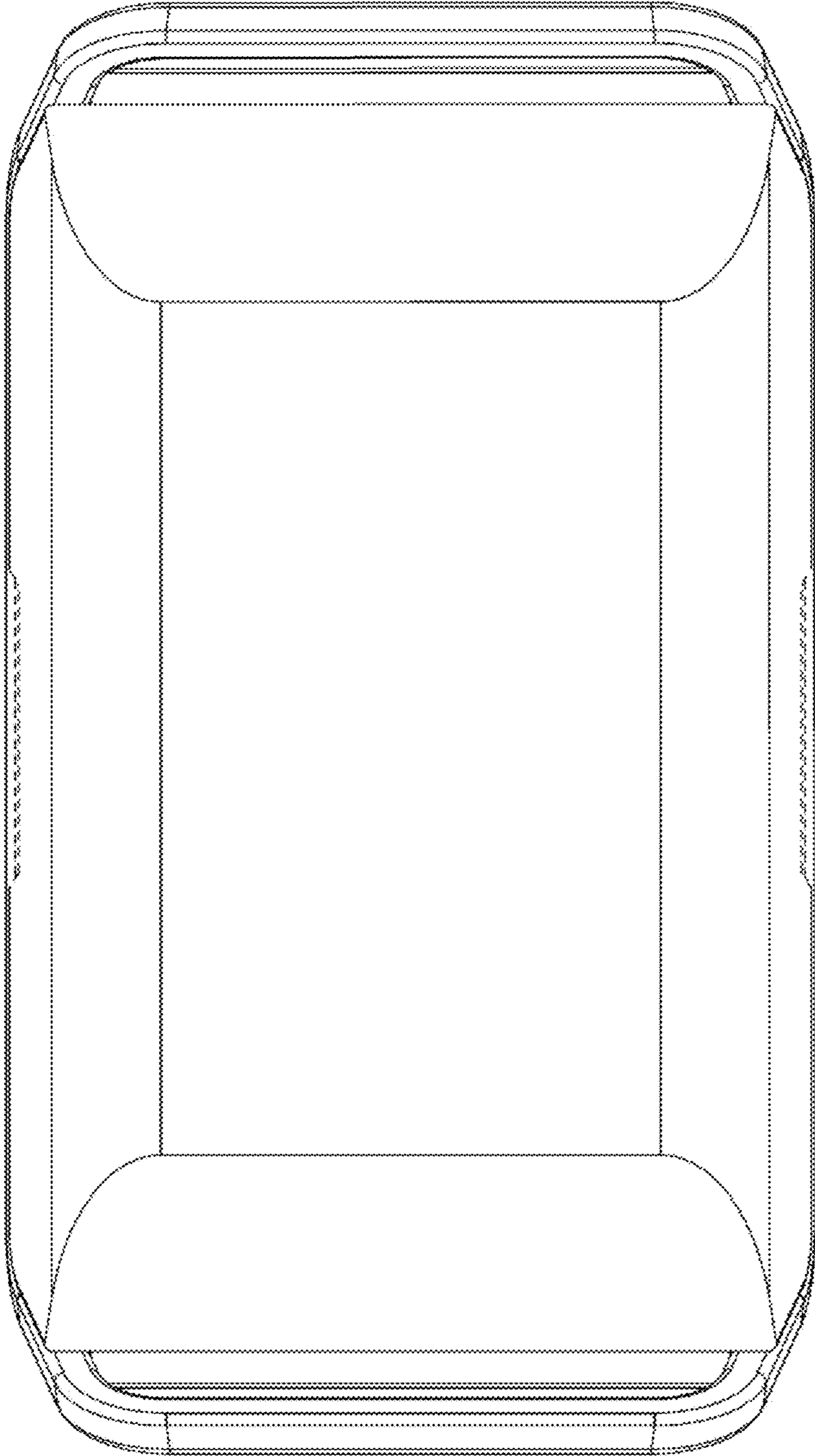


Fig. 3

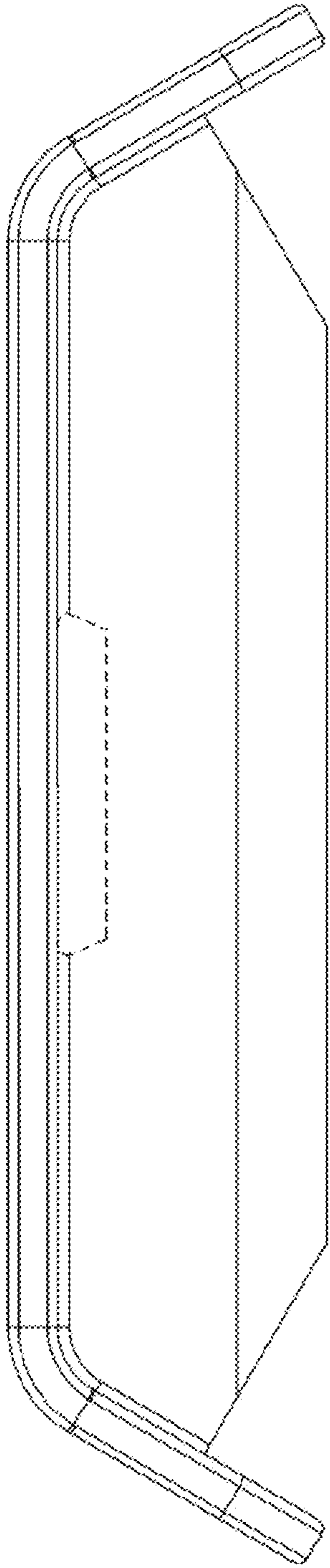


Fig. 4

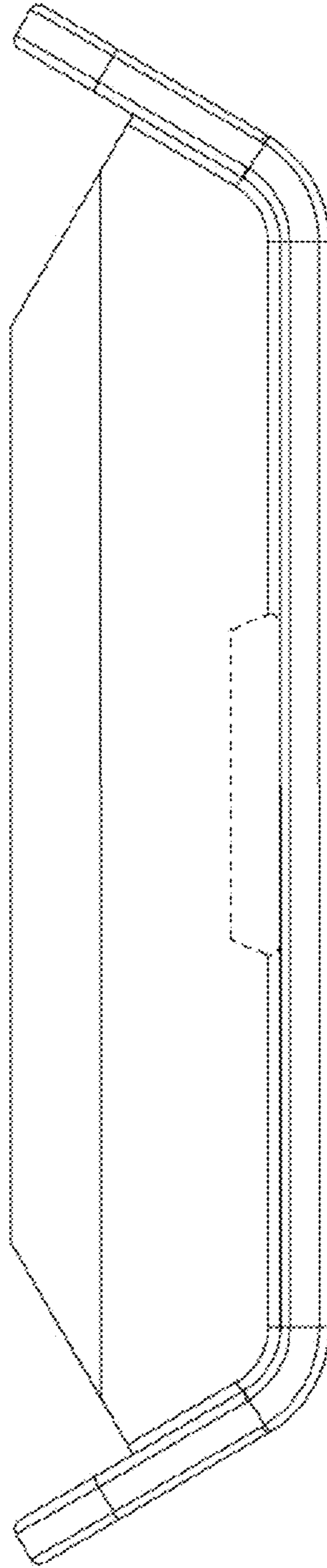


Fig. 5

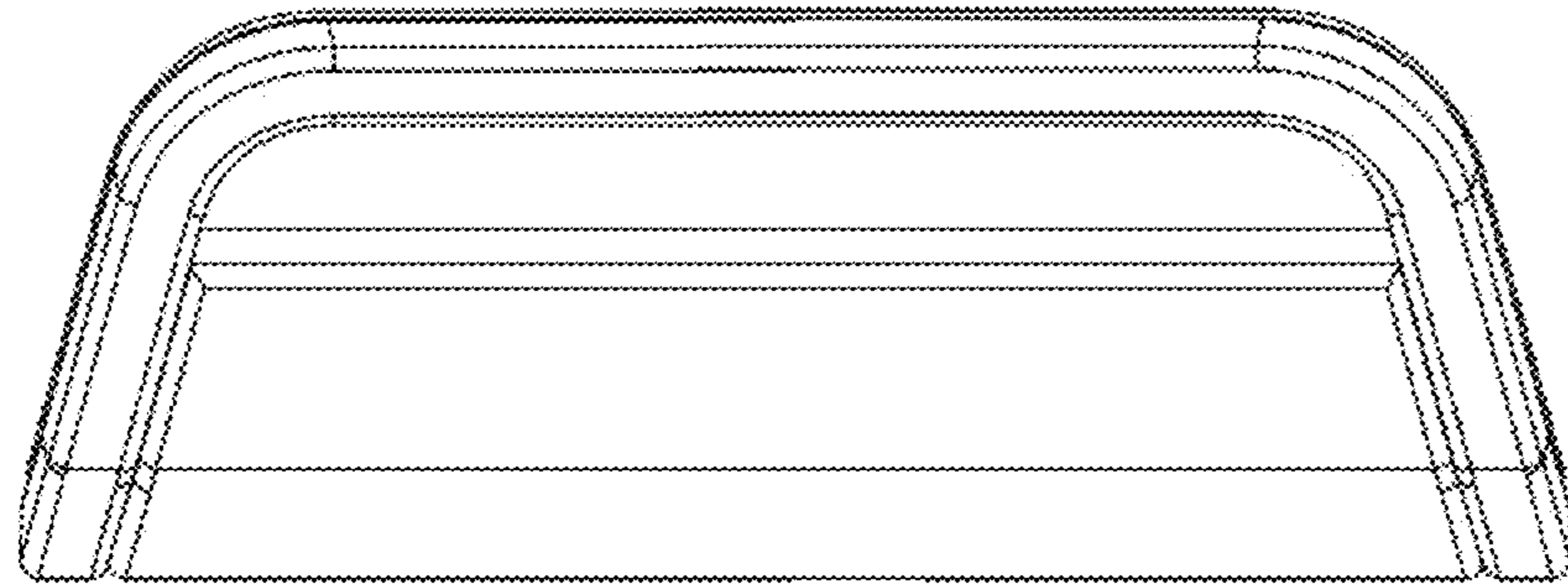


Fig. 6

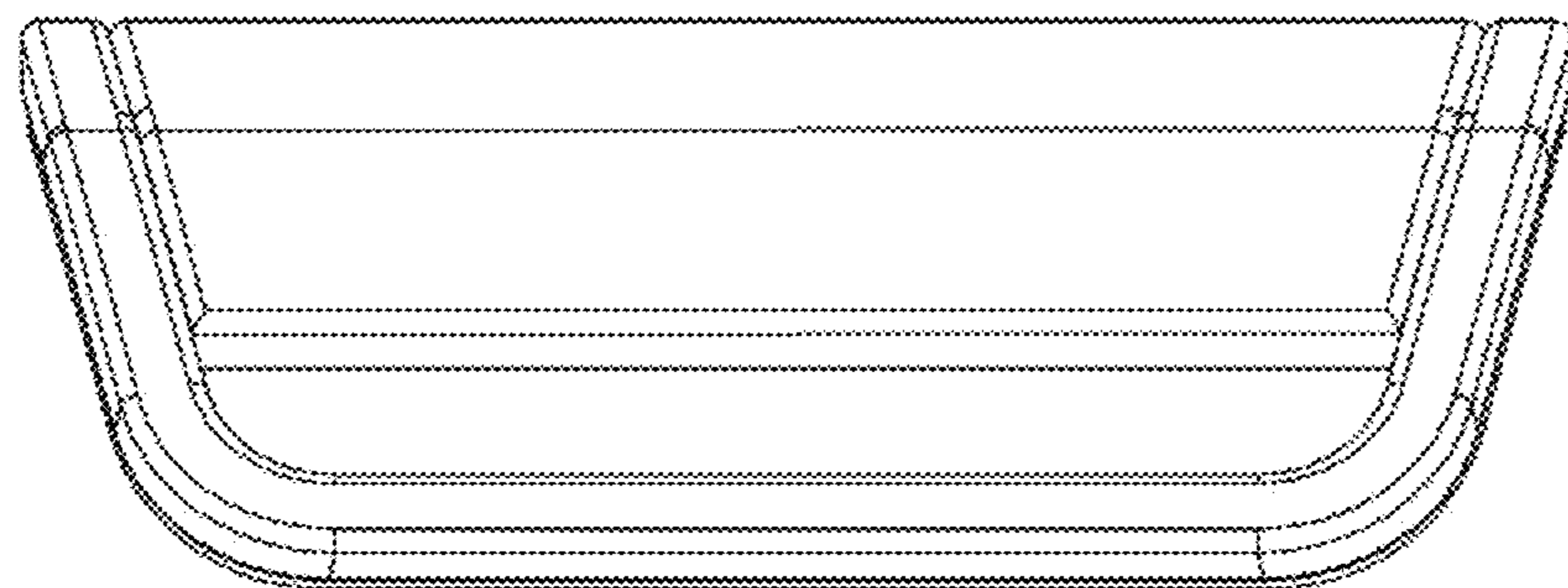


Fig. 7