

US00D730309S

(12) **United States Design Patent**
Hochman et al.

(10) **Patent No.:** **US D730,309 S**

(45) **Date of Patent:** **** May 26, 2015**

(54) **VIDEO DISPLAY MODULE**

(71) Applicant: **Revolution Display, Inc.**, Glendale, CA (US)

(72) Inventors: **Jeremy Hochman**, Glendale, CA (US);
John De Clercq, Oordegem (BE);
Robbie Thielemans, Nazareth (BE);
Tony Van Moorlehem, Ghent (BE)

(73) Assignee: **Revolution Display, Inc.**, Glendale, CA (US)

(**) Term: **14 Years**

(21) Appl. No.: **29/444,146**

(22) Filed: **Jan. 25, 2013**

(51) **LOC (10) Cl.** **14-03**

(52) **U.S. Cl.**

USPC **D14/126**

(58) **Field of Classification Search**

CPC H04N 21/42224; H04N 2005/443;
H04N 21/4122; H04N 21/41407; H04N
21/4222; H04N 21/43615; H04N 21/43635;
H04N 5/4403; H04N 5/64; H04N 5/655;
H04N 5/645; H04N 7/00
USPC D14/126, 127, 128, 129, 239, 371, 136,
D14/341, 375; 312/7.2; 348/836, 838, 180,
348/184, 325, 739; 341/12; 248/917-924,
248/465; 345/104, 133, 156, 168, 87, 173;
720/605, 600, 655; 455/347;
273/148 B; 229/926, 904, 74, 80.5;
D20/11, 17, 27, 39, 40; D6/300;
D9/600, 430

See application file for complete search history.

(56) **References Cited**

U.S. PATENT DOCUMENTS

D606,953 S * 12/2009 Shin et al. D14/126
D633,454 S * 3/2011 Mitsuhashi D14/126
D671,083 S * 11/2012 Kim et al. D14/126
D689,033 S * 9/2013 Hwangbo et al. D14/126

* cited by examiner

Primary Examiner — Robert M Spear

Assistant Examiner — Eliza Bennett-Hattan

(74) *Attorney, Agent, or Firm* — Downs Rachlin Martin PLLC

(57) **CLAIM**

The ornamental design for a video display module, as shown and described.

DESCRIPTION

FIG. 1 is a back perspective view of a video display module showing our new design, according to one embodiment of the present invention;

FIG. 2 is a bottom view thereof;

FIG. 3 is a first side view thereof;

FIG. 4 is a second, opposing side view thereof;

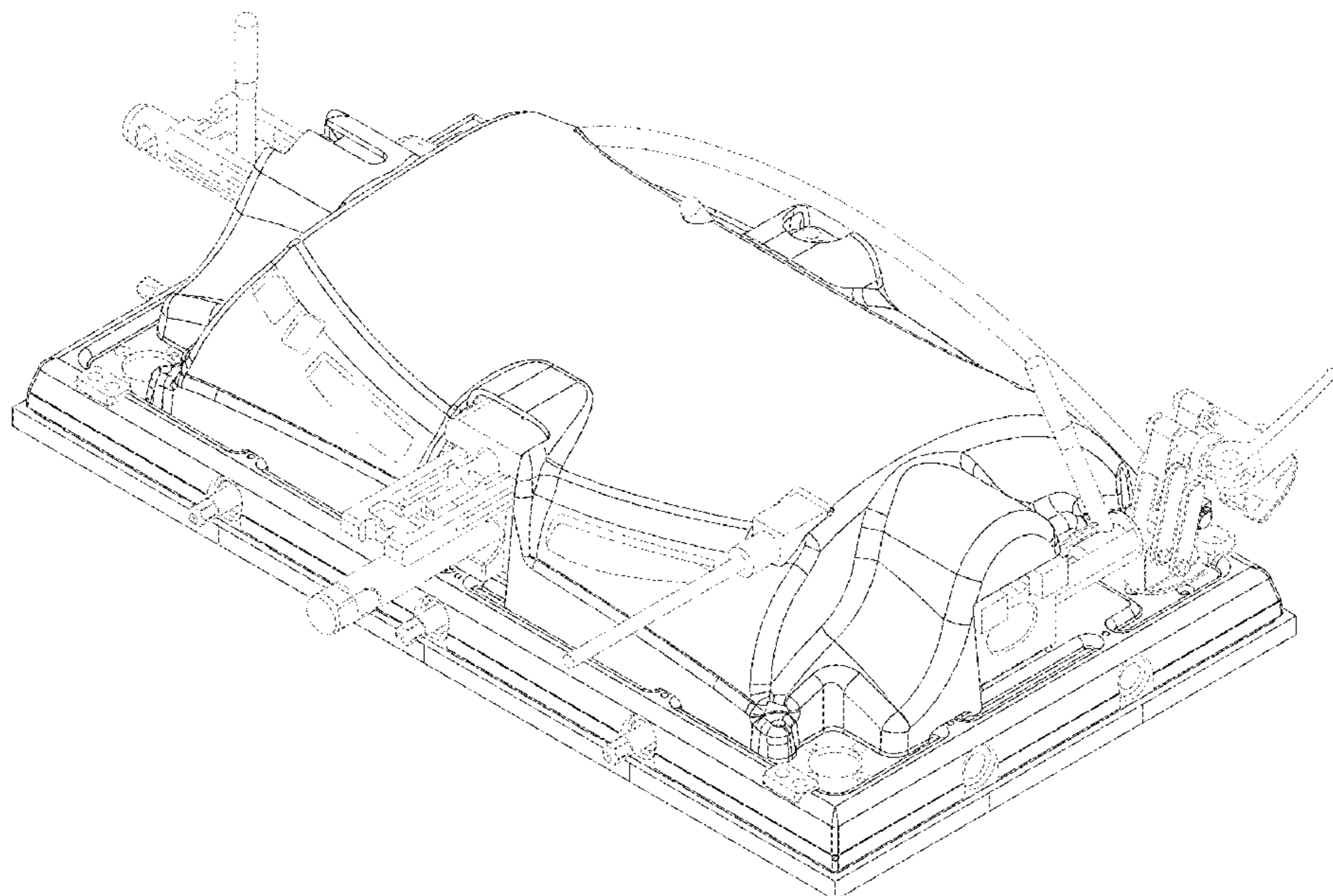
FIG. 5 is a top view thereof;

FIG. 6 is a back view thereof; and,

FIG. 7 is a front view thereof.

The broken lines in the drawings are for the purpose of illustrating unclaimed portions of the video display module and form no part of the claimed design.

1 Claim, 7 Drawing Sheets



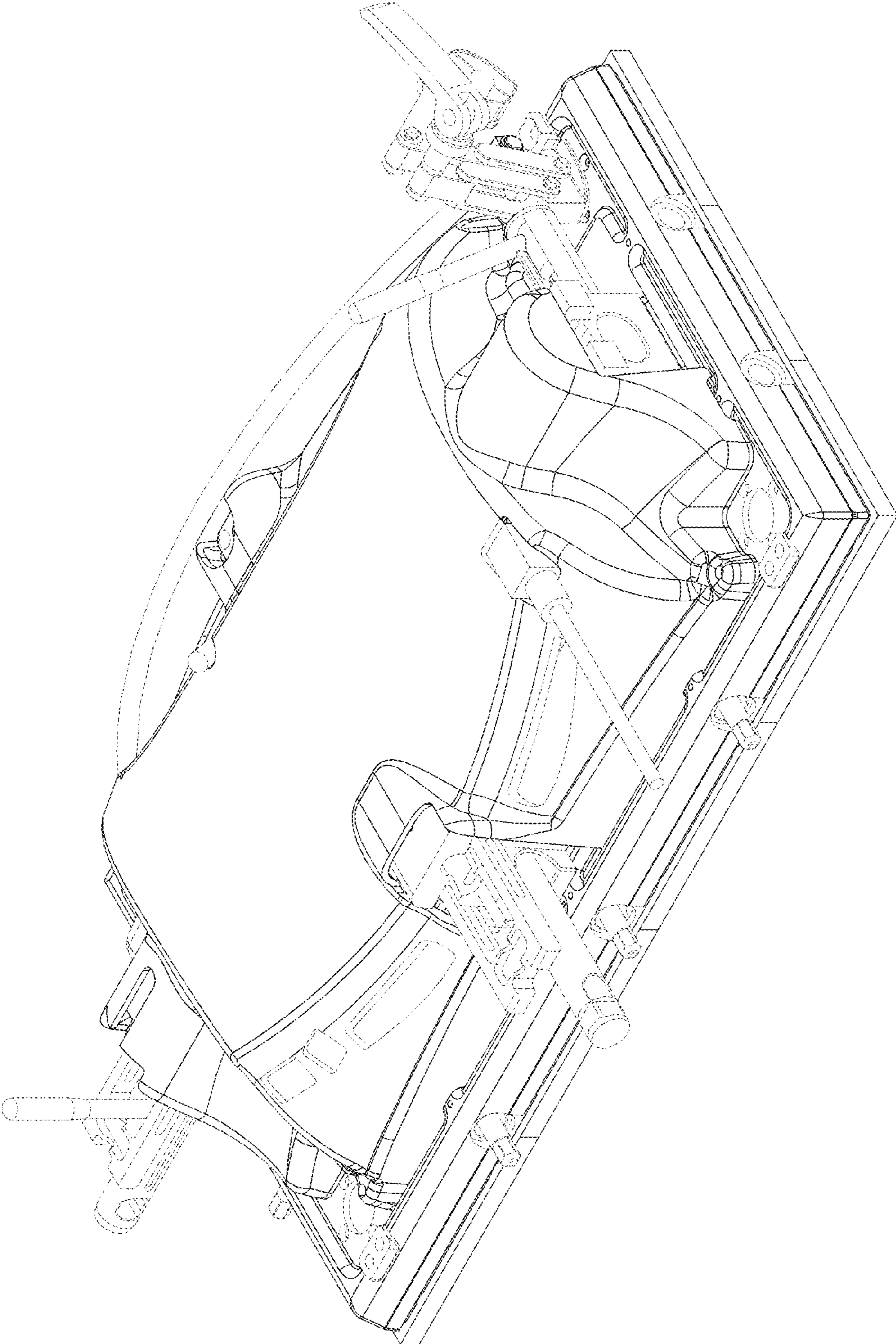


FIG. 1

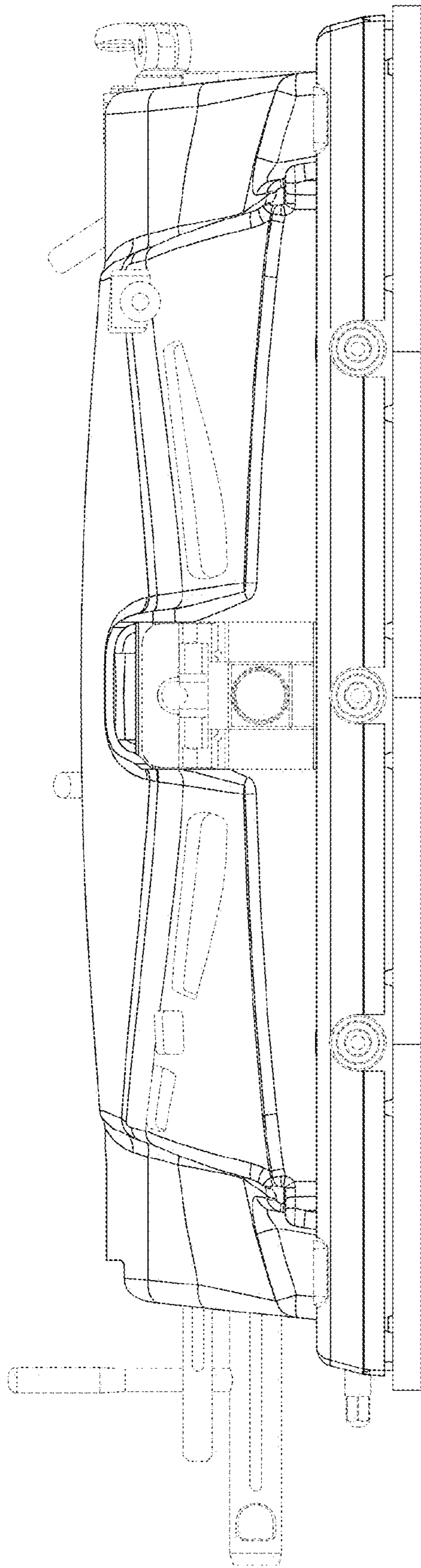


FIG. 2

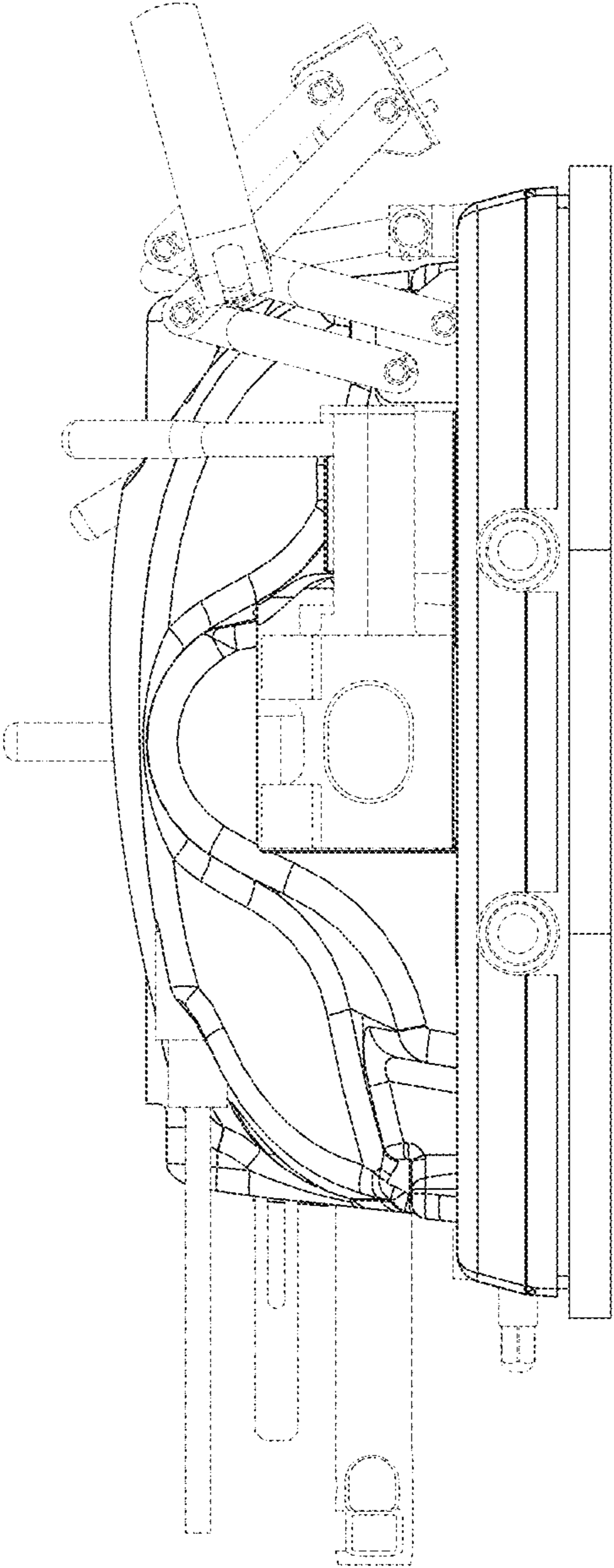


FIG. 3

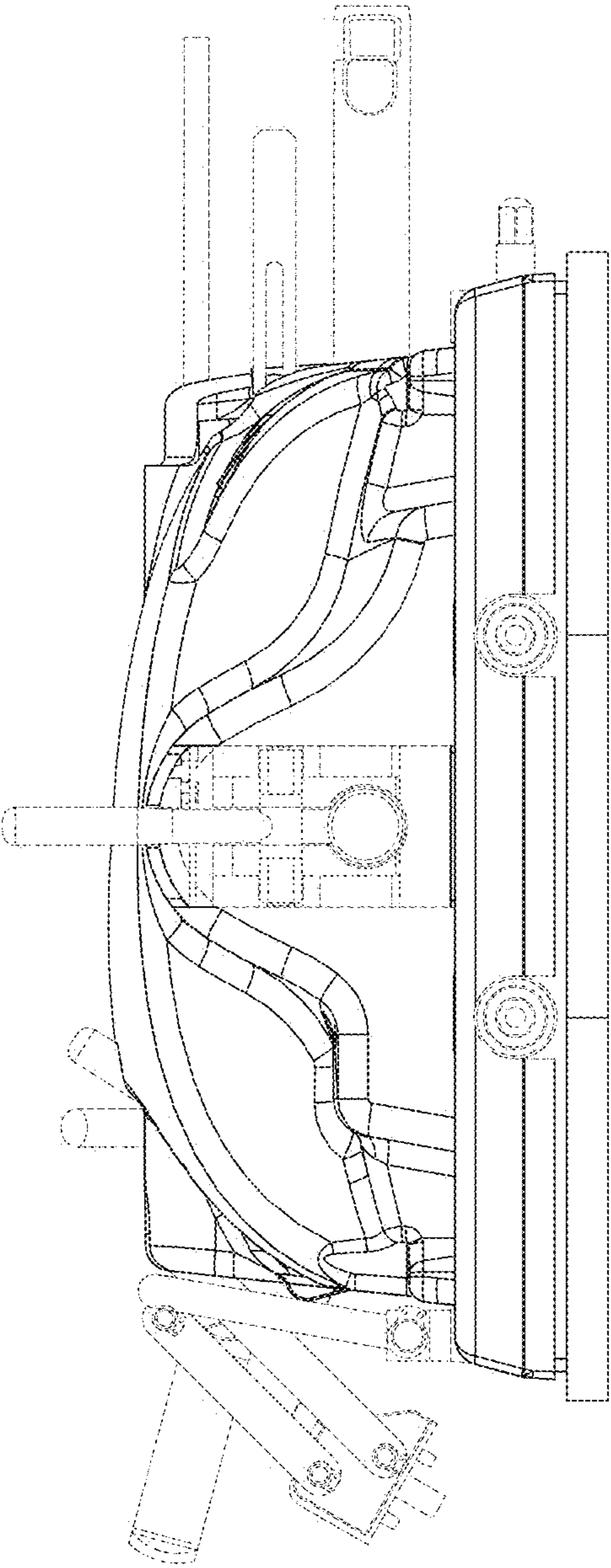


FIG. 4

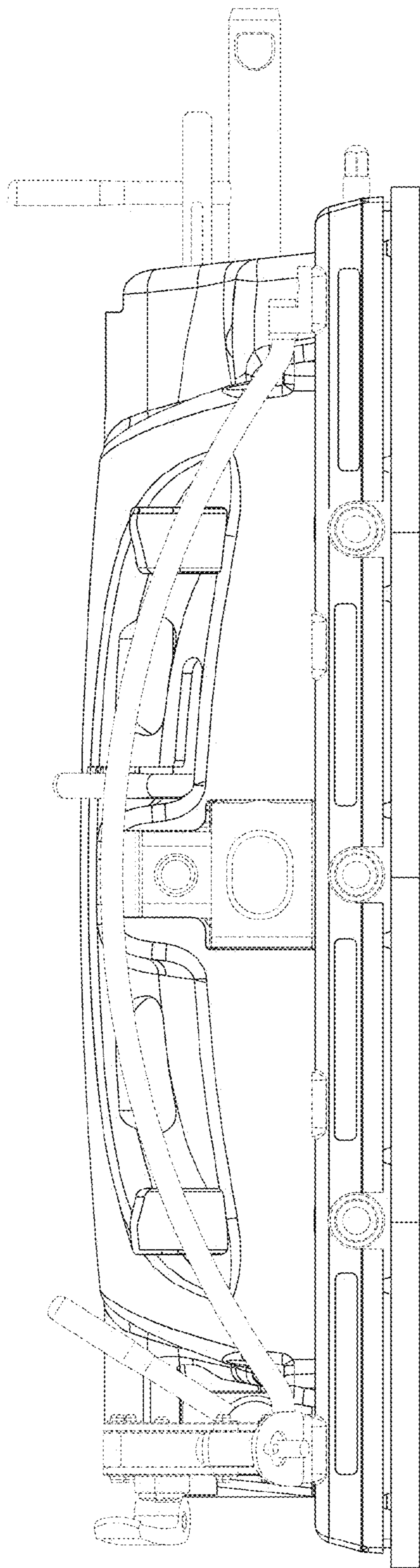


FIG. 5

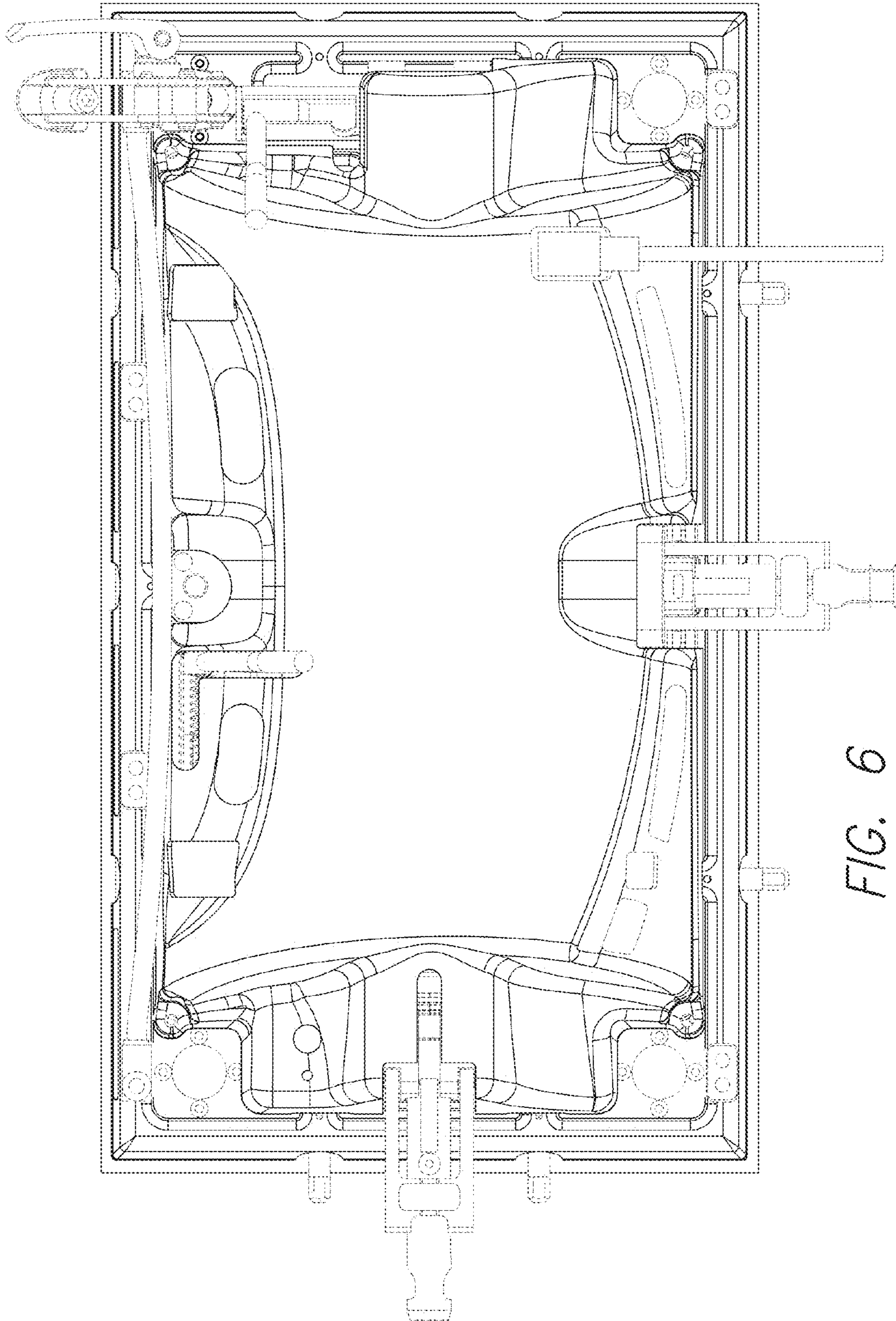


FIG. 6

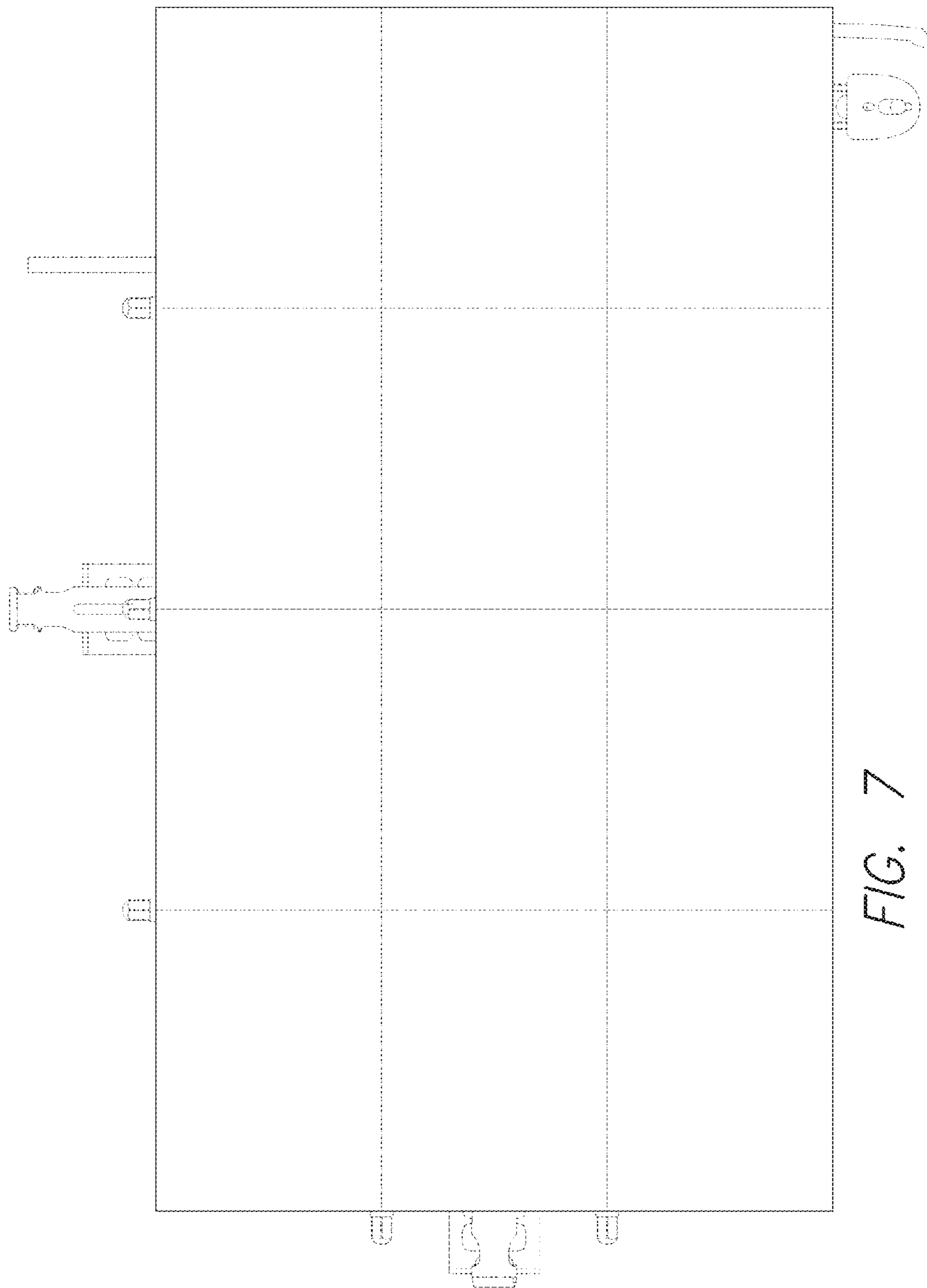


FIG. 7