

US00D730308S

(12) **United States Design Patent**
Akana et al.

(10) **Patent No.:** **US D730,308 S**

(45) **Date of Patent:** **** May 26, 2015**

(54) **ELECTRONIC DEVICE**

273/148 B; 229/926, 904, 74, 80.5;
D20/11, 17, 27, 39, 40

(71) Applicant: **Apple Inc.**, Cupertino, CA (US)

See application file for complete search history.

(72) Inventors: **Jody Akana**, San Francisco, CA (US);
Bartley K. Andre, Palo Alto, CA (US);
Jeremy Bataillou, San Francisco, CA
(US); **Daniel J. Coster**, San Francisco,
CA (US); **Daniele De Iuliis**, San
Francisco, CA (US); **M. Evans Hankey**,
San Francisco, CA (US); **Julian Hoenig**,
San Francisco, CA (US); **Richard P.**
Howarth, San Francisco, CA (US);
Jonathan P. Ive, San Francisco, CA
(US); **Peter N. Jeziorek**, Mountain View,
CA (US); **Duncan Robert Kerr**, San
Francisco, CA (US); **Shin Nishibori**,
Kailua, HI (US); **Matthew Dean**
Rohrbach, San Francisco, CA (US);
Nicholas Alan Rundle, San Jose, CA
(US); **Peter Russell-Clarke**, San
Francisco, CA (US); **Christopher J.**
Stringer, Woodside, CA (US); **David P.**
Tarkington, Sunnyvale, CA (US);
Eugene Antony Whang, San Francisco,
CA (US); **Rico Zörkendörfer**, San
Francisco, CA (US)

(56)

References Cited

U.S. PATENT DOCUMENTS

5,400,954	A	*	3/1995	Kaye	229/75
D640,688	S	*	6/2011	Park et al.	D14/341
D645,465	S	*	9/2011	Lin et al.	D14/341
D652,810	S	*	1/2012	Park et al.	D14/126
D659,660	S	*	5/2012	Kumano	D14/126

(Continued)

Primary Examiner — Susan Hattan

Assistant Examiner — Eliza Bennett-Hattan

(74) *Attorney, Agent, or Firm* — Saidman DesignLaw
Group, LLC

(57)

CLAIM

The ornamental design for an electronic device, as shown and
described.

DESCRIPTION

FIG. 1 is a front perspective view of a first embodiment of an
electronic device showing our new design;

FIG. 2 is front view thereof;

FIG. 3 is a rear view thereof;

FIG. 4 is a left side view thereof;

FIG. 5 is a right side view thereof;

FIG. 6 is a top view thereof;

FIG. 7 is a bottom view thereof;

FIG. 8 is an enlarged view of the portion encircled "8" in FIG.
4; and,

FIG. 9 is an enlarged view of the portion encircled "9" in FIG.
6.

The broken lines illustrate environmental structure and form
no part of the claimed design.

The dash-dot-dot-dash broken lines encircle and show
boundaries for enlarged views.

The dash-dot lines in the drawing define the boundary of the
claimed design.

(73) Assignee: **Apple Inc.**, Cupertino, CA (US)

(**) Term: **14 Years**

(21) Appl. No.: **29/432,919**

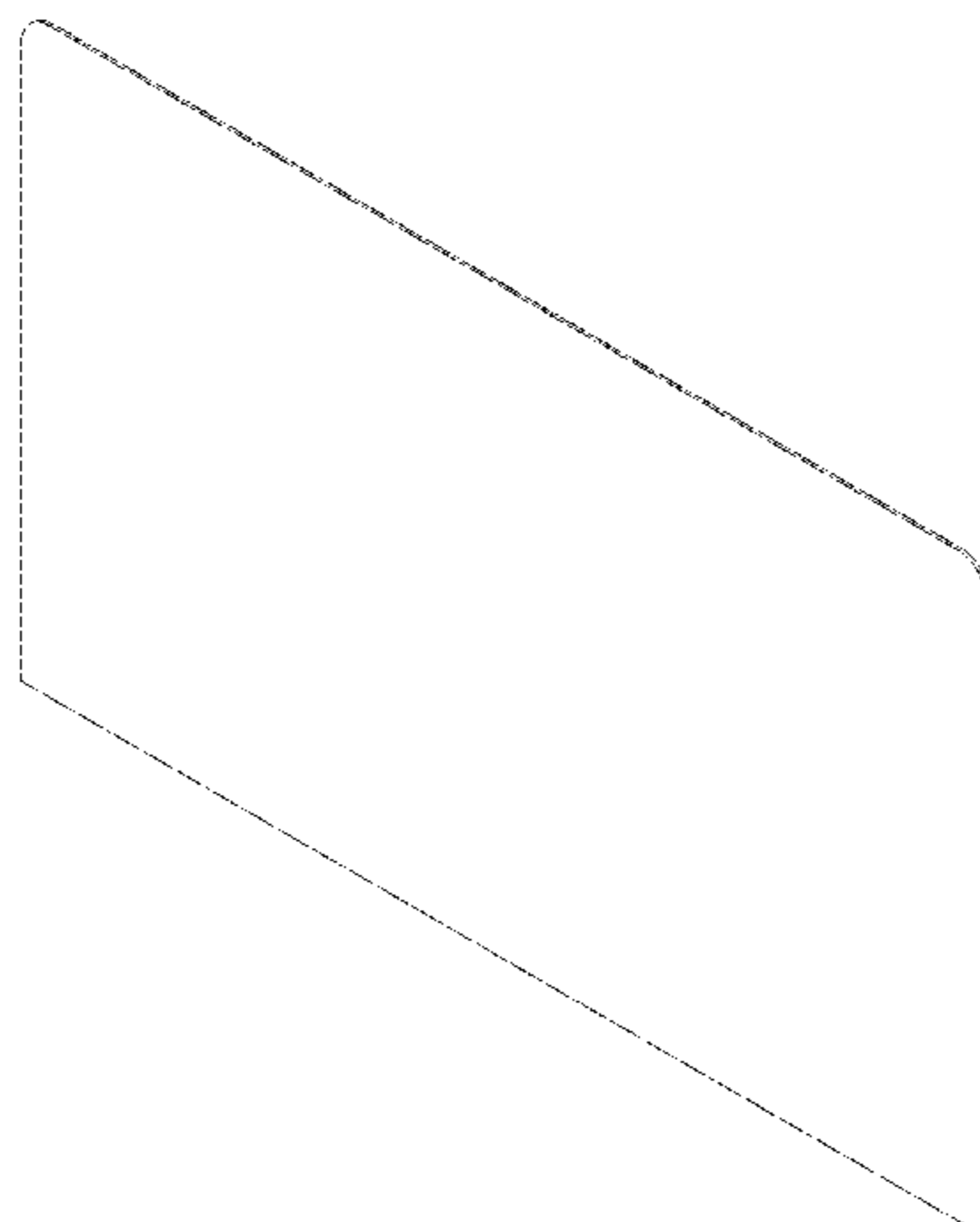
(22) Filed: **Sep. 22, 2012**

(51) **LOC (10) Cl.** **14-03**

(52) **U.S. Cl.**
USPC **D14/126**

(58) **Field of Classification Search**
USPC D14/126, 127, 128, 129, 239, 371, 136,
D14/341; 312/7.2; 348/836, 838, 180, 184,
348/325, 739; 341/12; 248/917-924, 465;
345/104, 133, 156, 168, 87, 173;
720/605, 600, 655; 455/347;

1 Claim, 7 Drawing Sheets



US D730,308 S

Page 2

(56)

References Cited

U.S. PATENT DOCUMENTS

D670,670 S *	11/2012	Kim et al.	D14/126	
D671,083 S *	11/2012	Kim et al.	D14/126	* cited by examiner
D691,175 S *	10/2013	Park et al.	D14/496	
D702,231 S *	4/2014	Park et al.	D14/341	
2013/0176508 A1 *	7/2013	Chuo et al.	348/836	

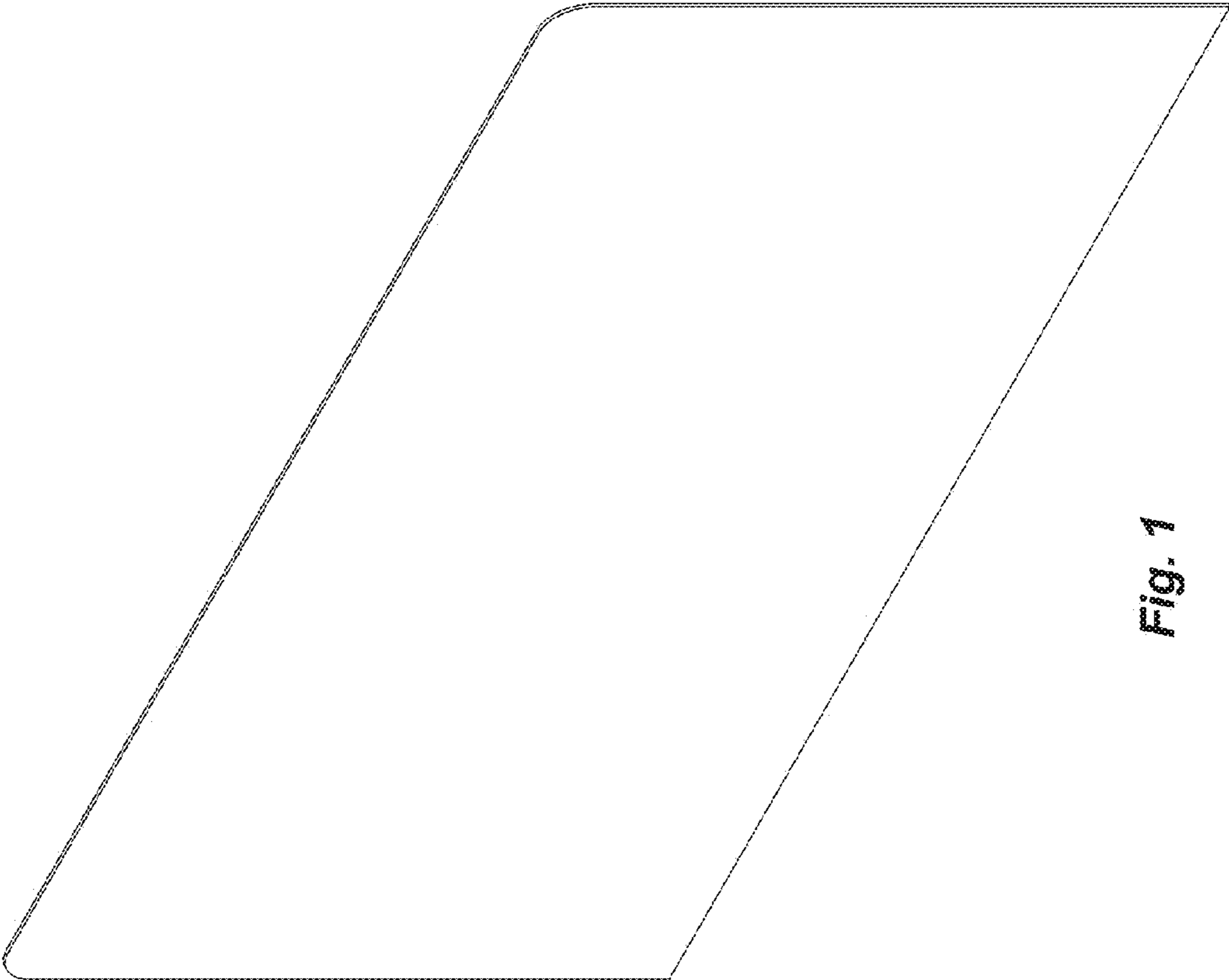


Fig. 1

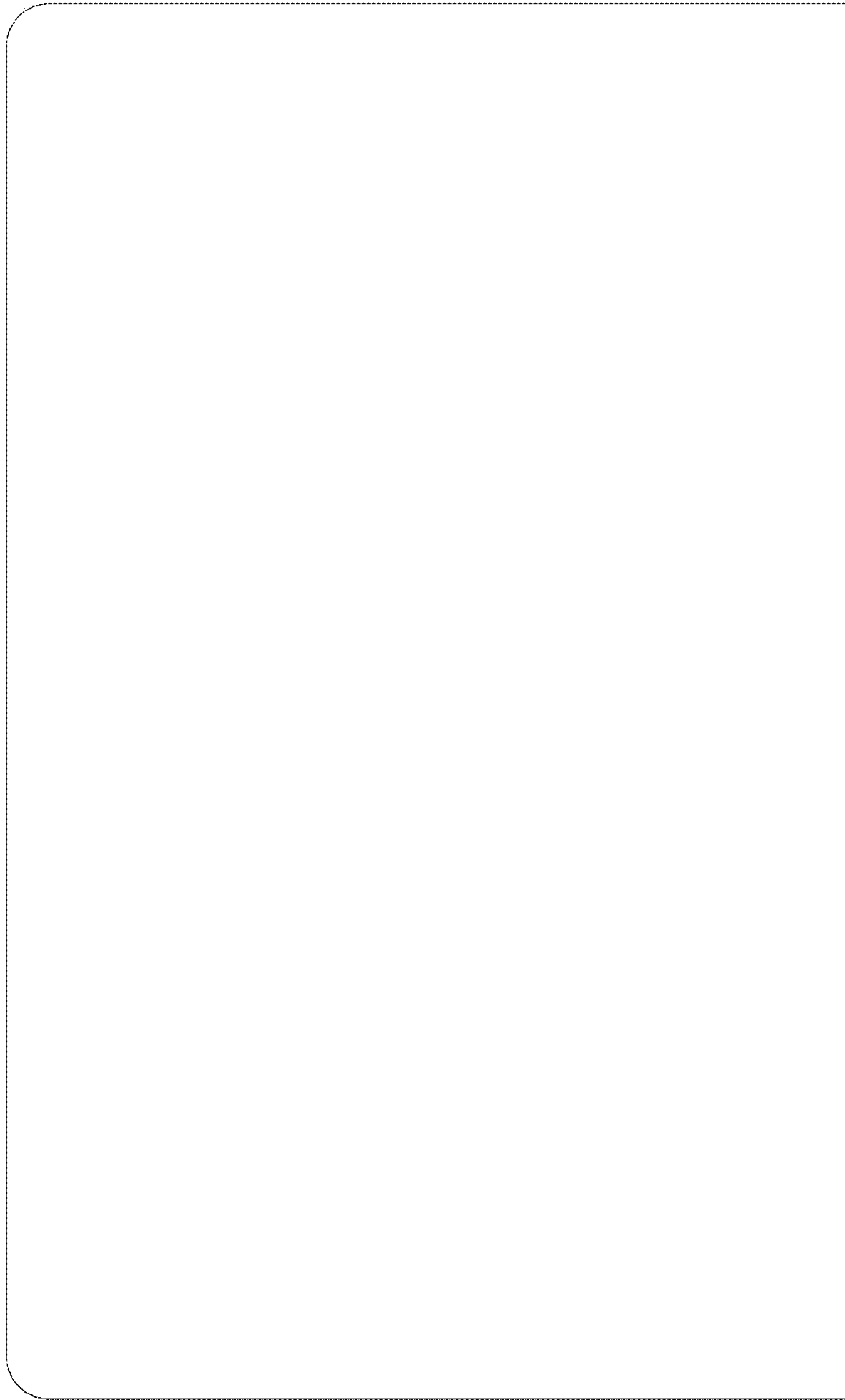


Fig. 2

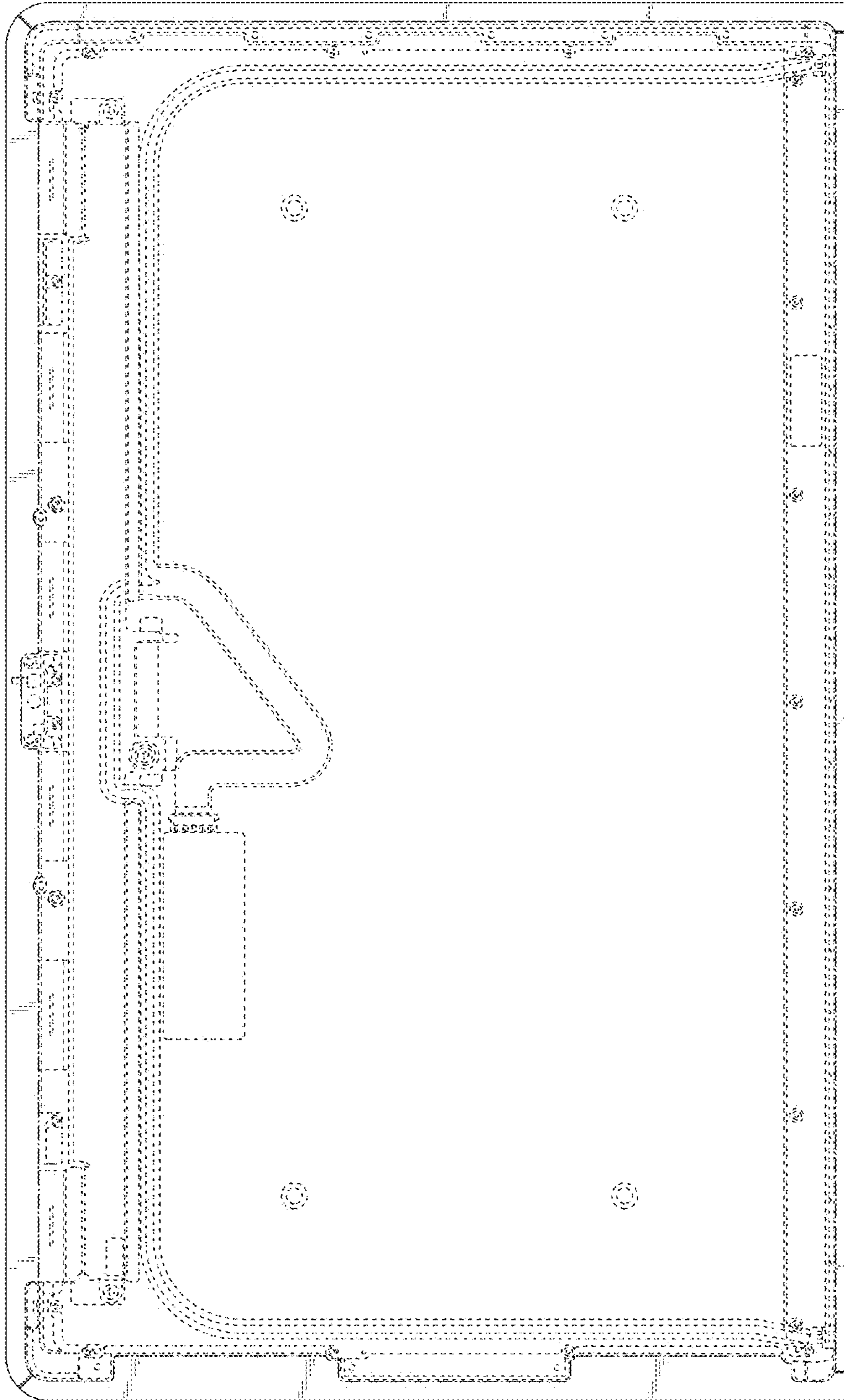


Fig. 3

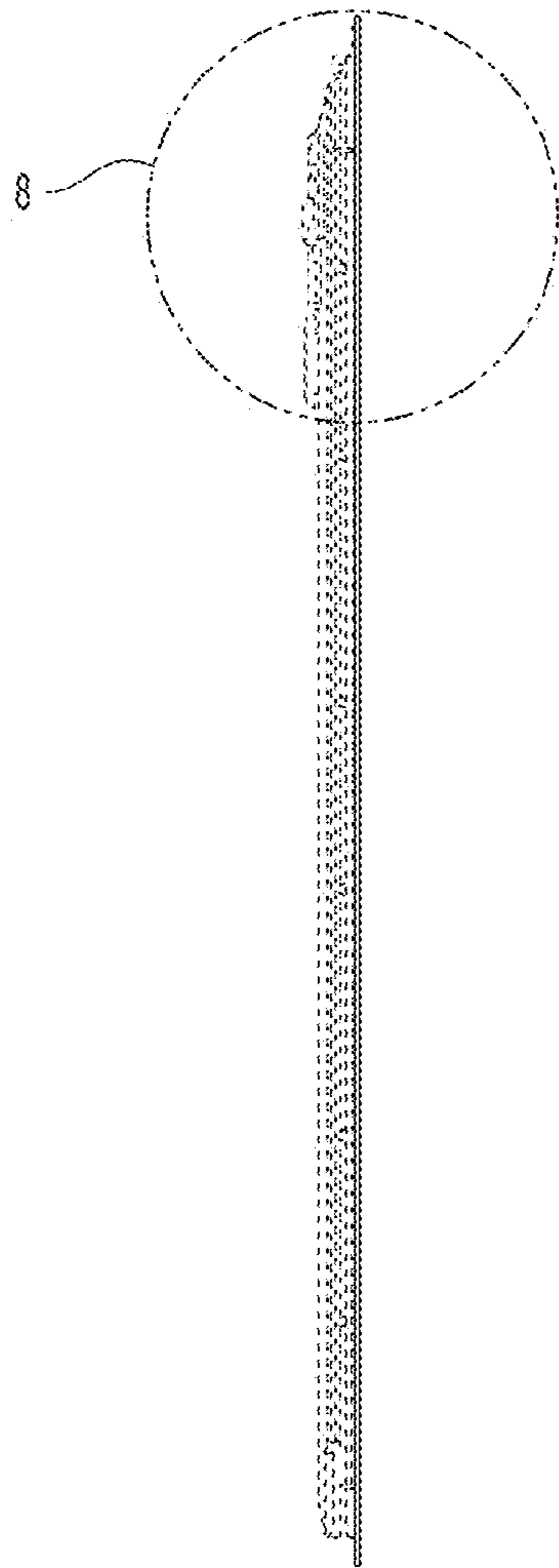


Fig. 4

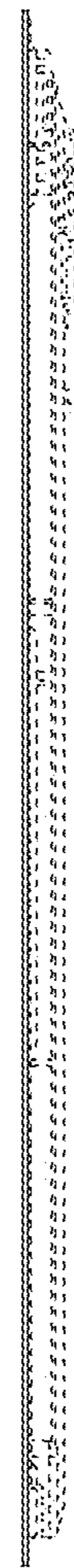


Fig. 5

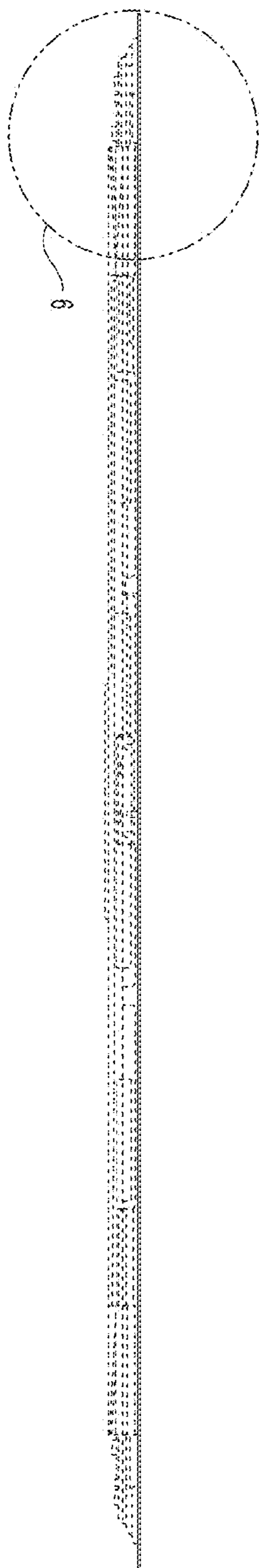


Fig. 6

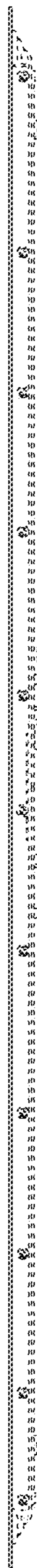


Fig. 7

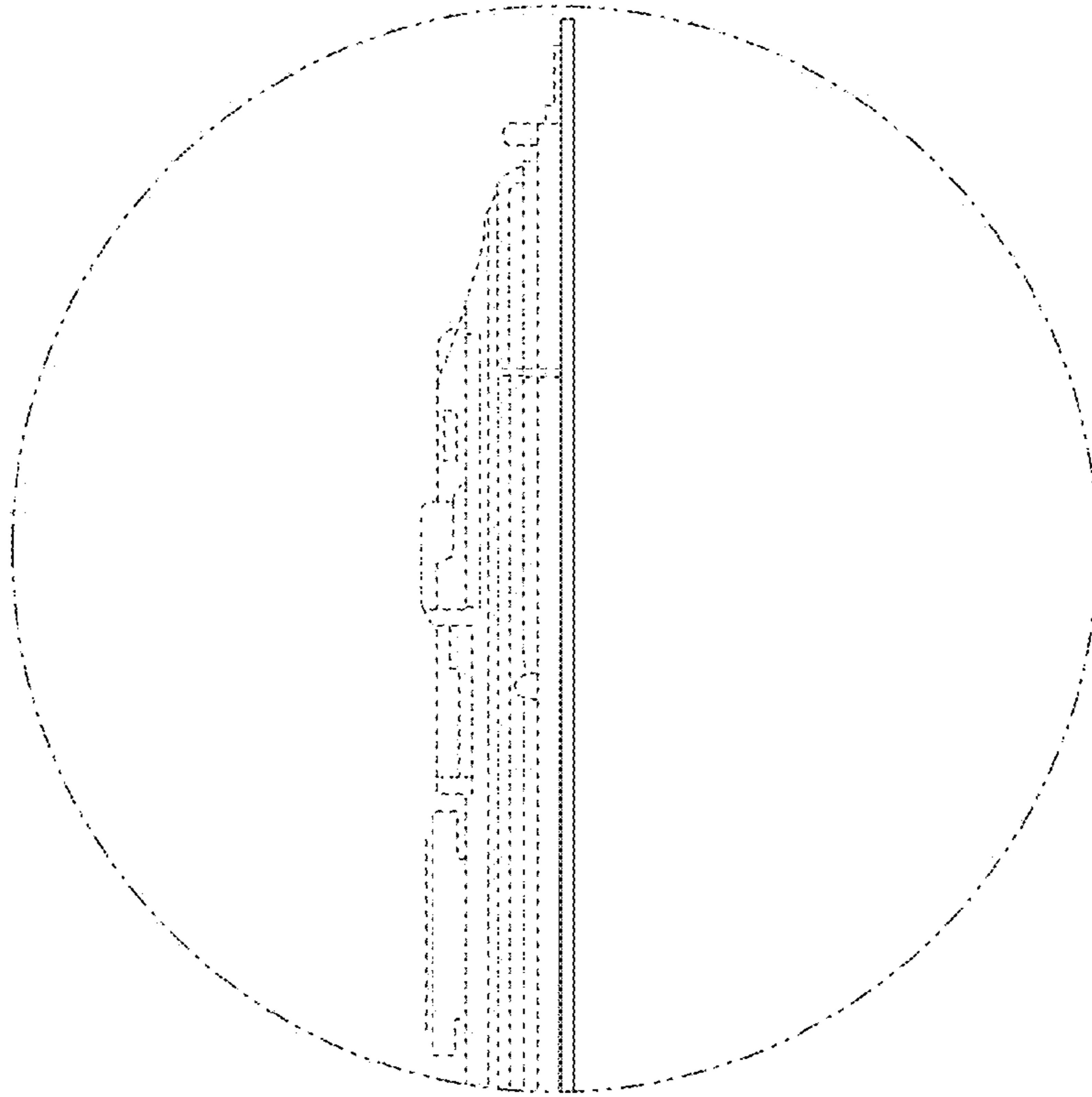


Fig. 8

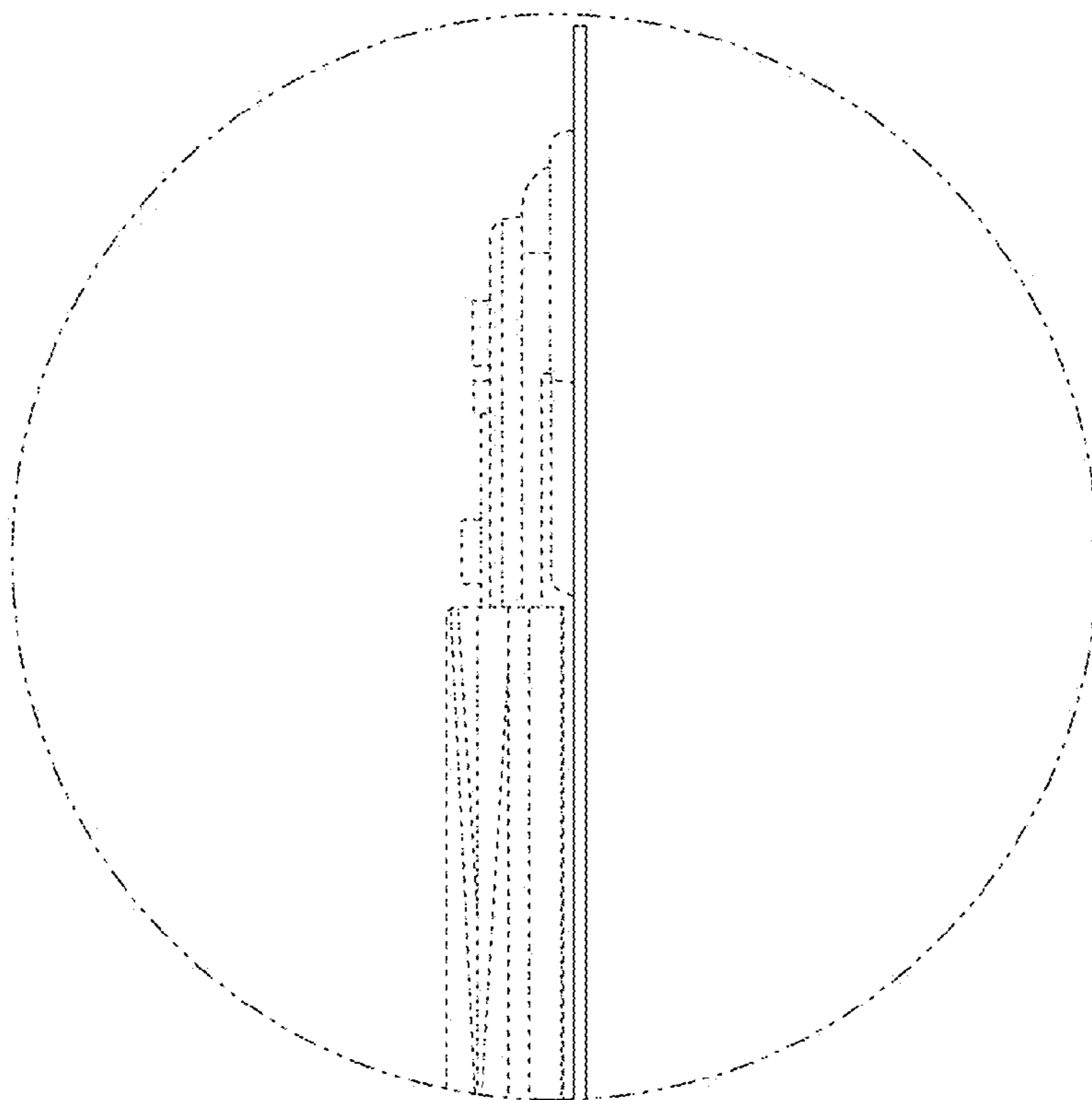


FIG. 9