



US00D730305S

(12) **United States Design Patent**  
**Brunn et al.**

(10) **Patent No.:** **US D730,305 S**

(45) **Date of Patent:** **\*\* May 26, 2015**

(54) **PROTECTIVE CASING FOR ELECTRICAL DEVICES**

- (71) Applicant: **Fibox Oy Ab**, Espoo (FI)
- (72) Inventors: **Max Brunn**, Helsingfors (FI); **Kenneth Weber**, Karis (FI)
- (73) Assignee: **FIBOX OY AB**, Espoo (FI)
- (\*\*) Term: **14 Years**
- (21) Appl. No.: **29/460,893**
- (22) Filed: **Jul. 16, 2013**

(30) **Foreign Application Priority Data**

Jan. 17, 2013 (EM) ..... 002168047-0001

(51) **LOC (10) Cl.** ..... **13-03**

(52) **U.S. Cl.**  
USPC ..... **D13/184**

(58) **Field of Classification Search**

CPC ..... H02B 1/40; H02B 1/00  
 USPC ..... D13/158, 159, 160, 161, 162, 184, 199;  
 200/43.14, 50.01, 50.21-50.23, 51 R,  
 200/293, 400, 401; 361/42, 44, 45, 50, 71,  
 361/115, 608, 634, 736; 174/50; 220/3.2,  
 220/3.3, 3.8, 4.02, 243, 244; 439/135, 367,  
 439/373, 535, 892; 109/73

See application file for complete search history.

(56) **References Cited**

U.S. PATENT DOCUMENTS

D284,959	S	*	8/1986	Berg	.....	D13/184
5,272,279	A	*	12/1993	Filshie	.....	174/50
5,568,362	A	*	10/1996	Hansson	.....	361/736
D376,350	S	*	12/1996	Worley et al.	.....	D13/184
5,769,006	A	*	6/1998	Allaer	.....	109/73
D408,015	S	*	4/1999	Faucher	.....	D13/152
D425,493	S	*	5/2000	Cutright et al.	.....	D13/184
D517,507	S	*	3/2006	Johnson et al.	.....	D13/184
D643,376	S	*	8/2011	Naumann et al.	.....	D13/160
D666,560	S	*	9/2012	Naumann et al.	.....	D13/160
D702,198	S	*	4/2014	Gretz	.....	D13/184
D709,043	S	*	7/2014	Isaacks	.....	D13/184
2008/0197129	A1	*	8/2008	Gosche	.....	220/4.02

\* cited by examiner

*Primary Examiner* — Ian Simmons

*Assistant Examiner* — Harold Blackwell, II

(74) *Attorney, Agent, or Firm* — Birch, Stewart, Kolasch & Birch, LLP

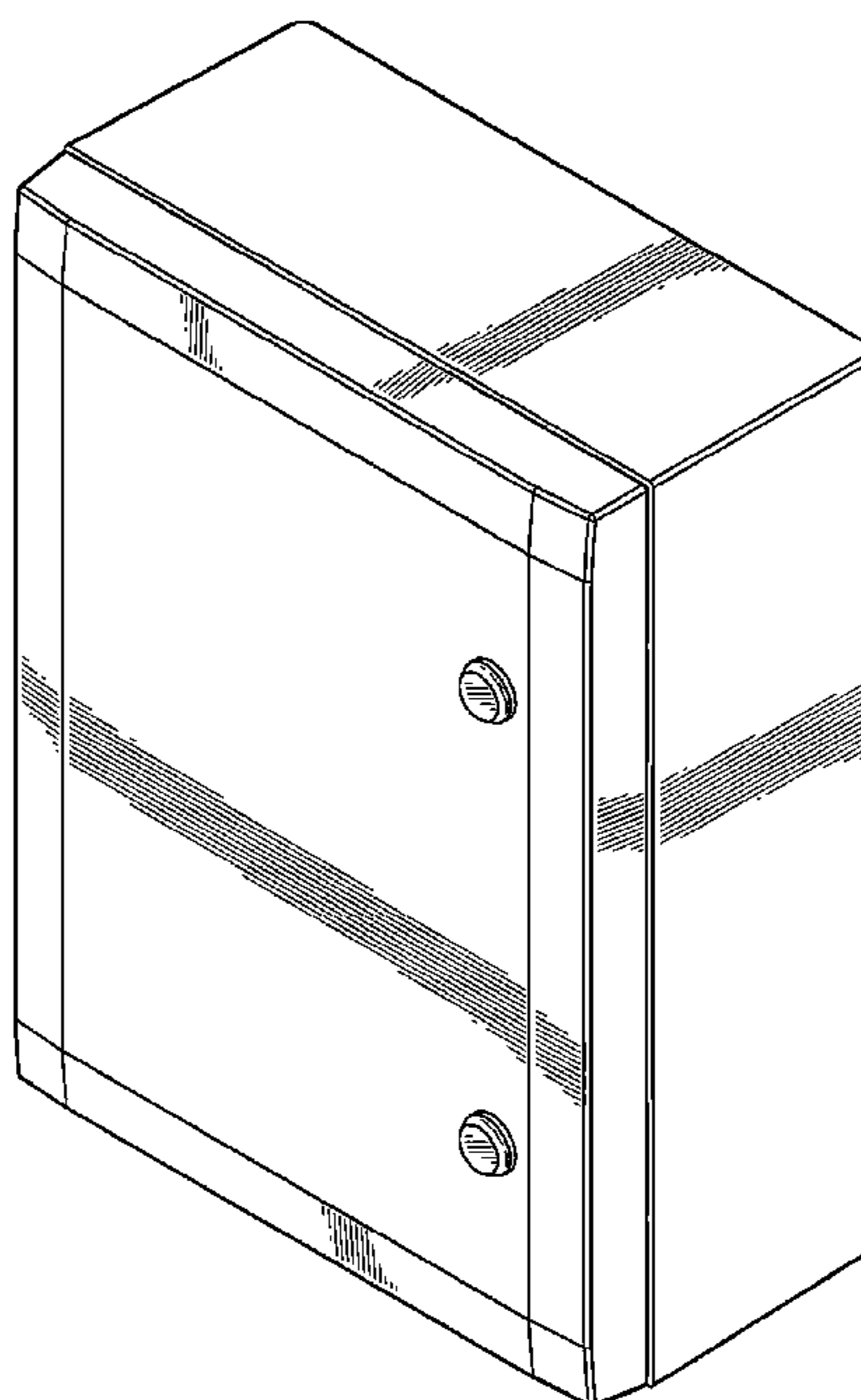
(57) **CLAIM**

The ornamental design for a protective casing for electrical devices, as shown and described.

**DESCRIPTION**

FIG. 1 is a front, right perspective view of a protective casing for electrical devices showing my new design;  
 FIG. 2 is a rear, left view thereof;  
 FIG. 3 is a front view thereof;  
 FIG. 4 is a rear view thereof;  
 FIG. 5 is a bottom view thereof;  
 FIG. 6 is a right side view thereof; and,  
 FIG. 7 is a left side view thereof.  
 The top view is a mirror image of the bottom view.

**1 Claim, 7 Drawing Sheets**



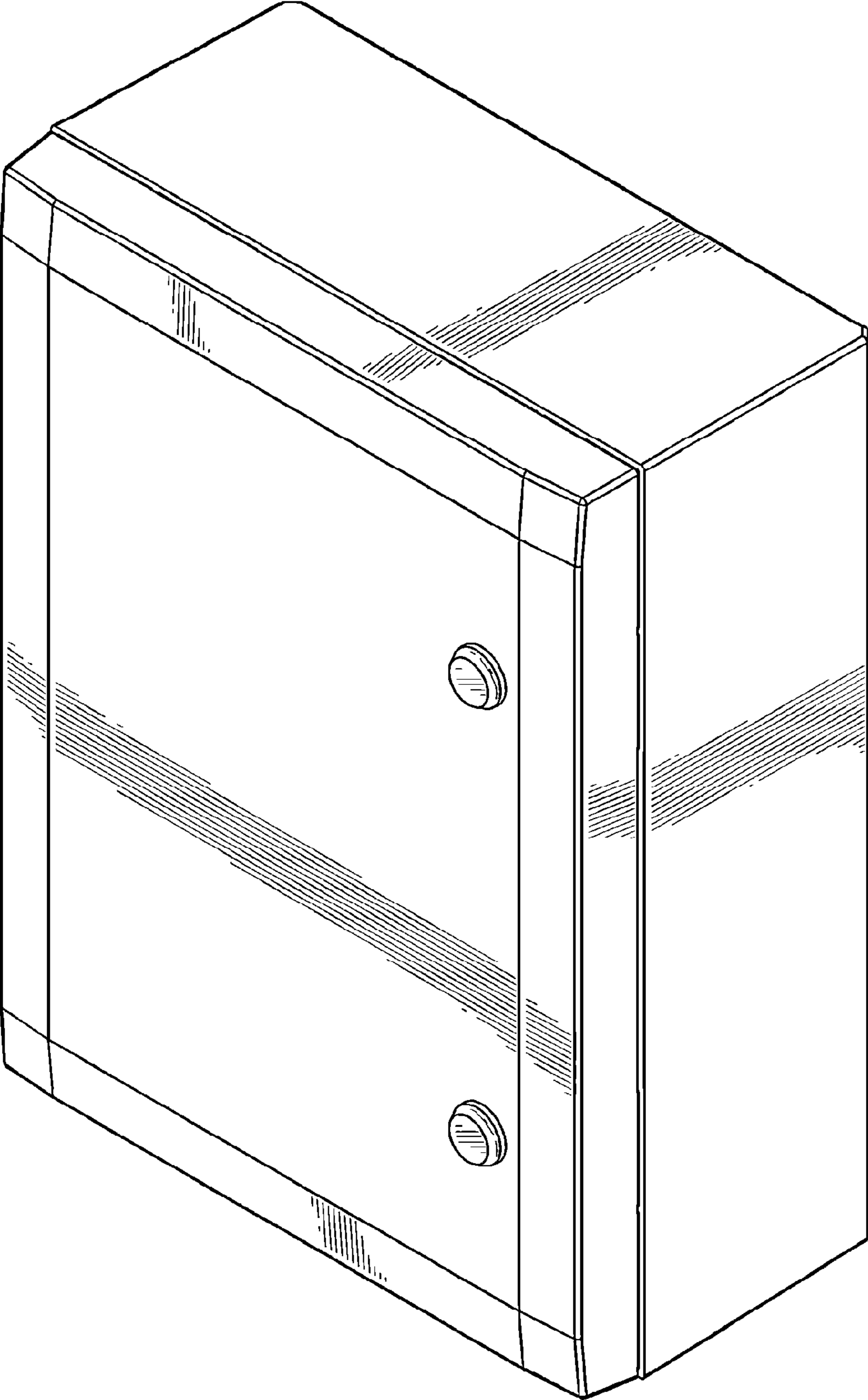


FIG.1

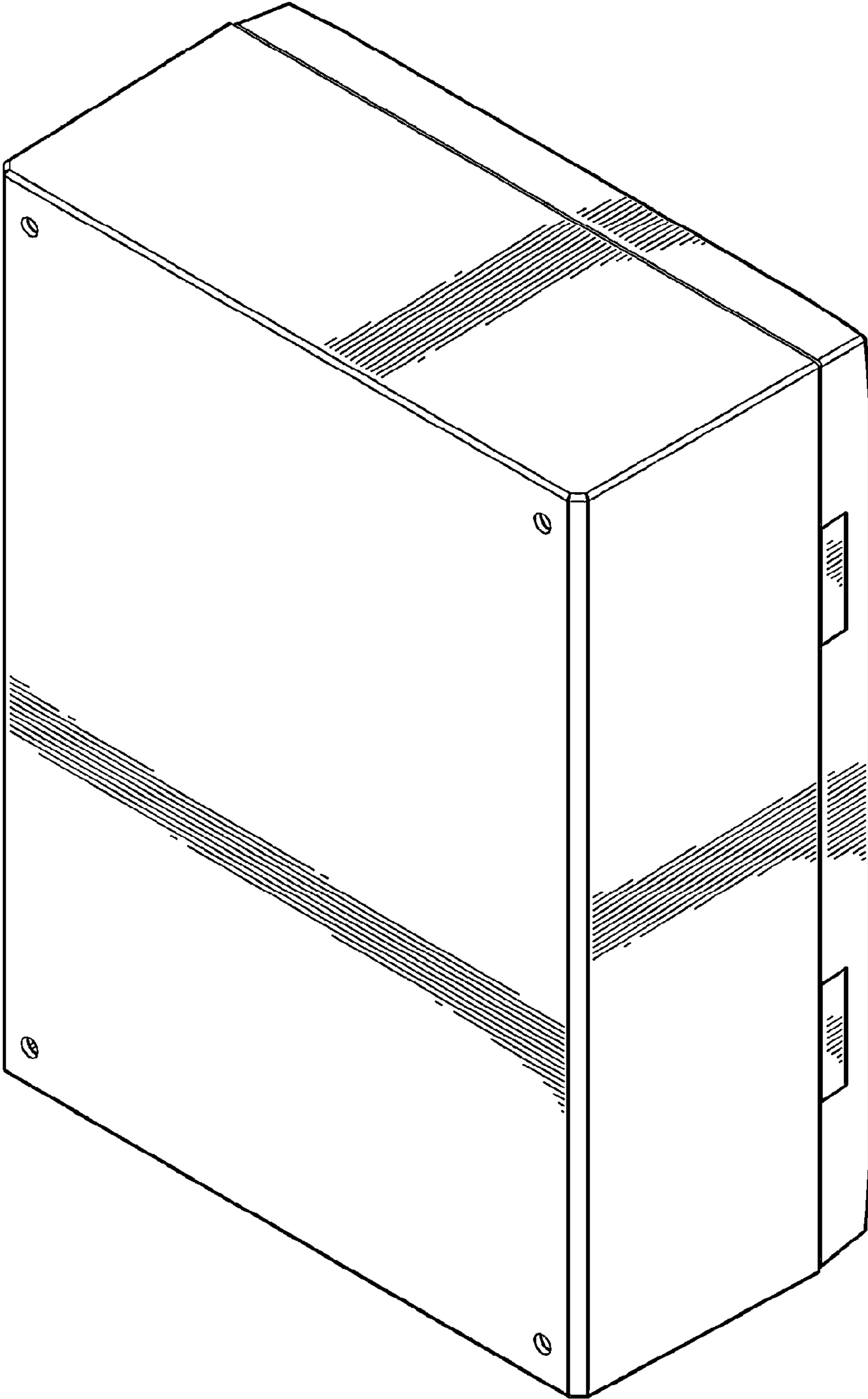


FIG.2

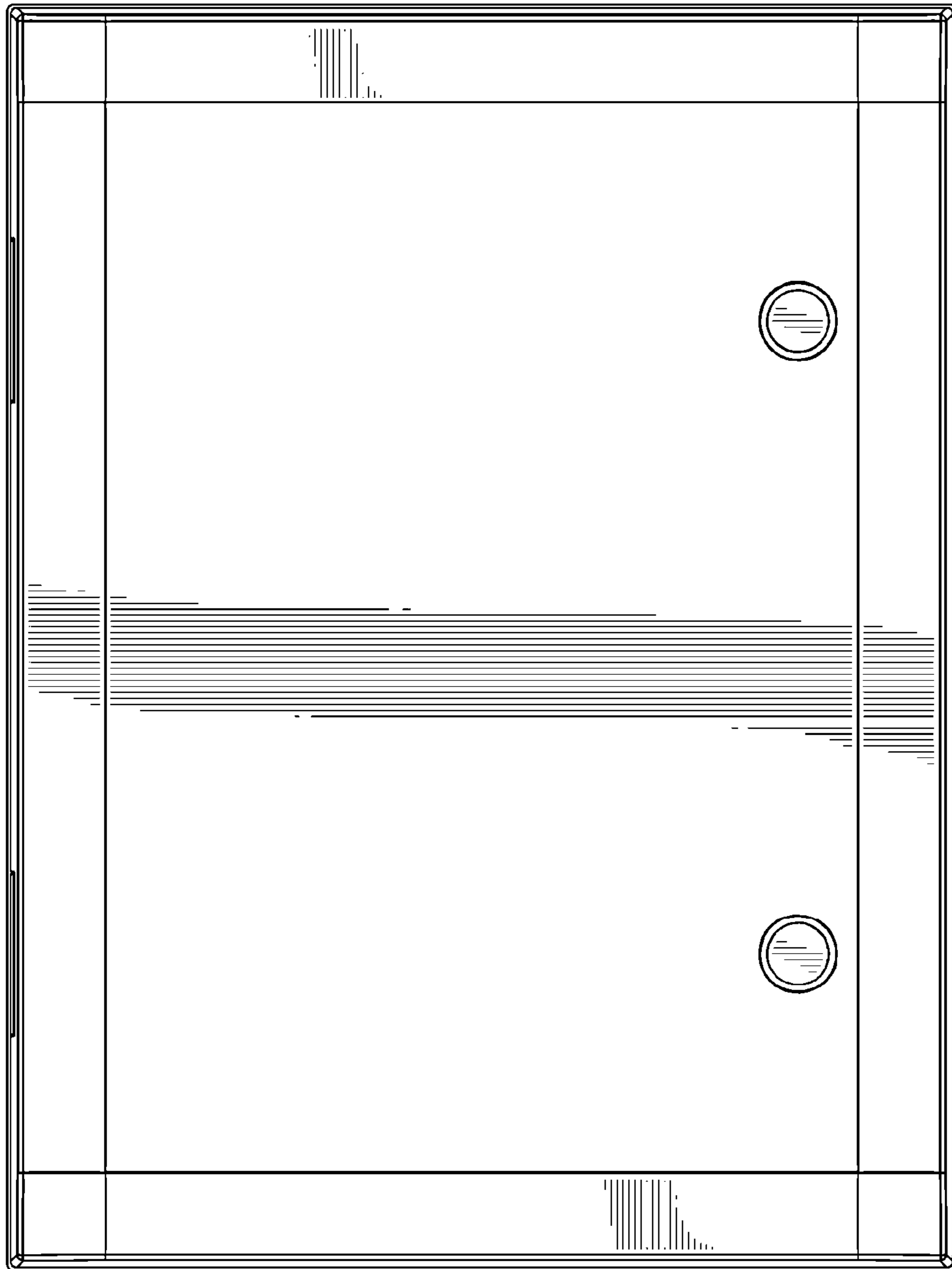


FIG.3

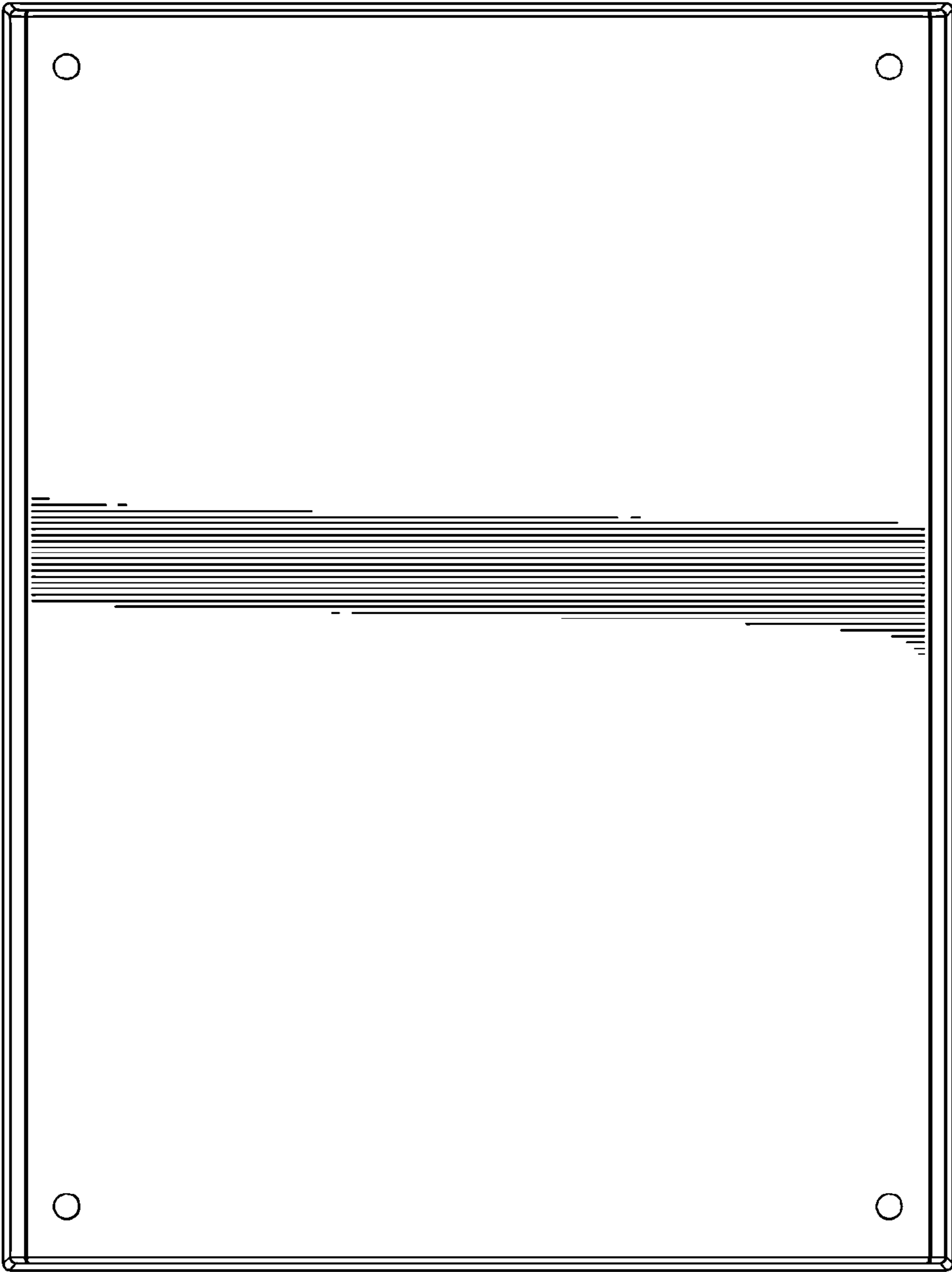


FIG.4

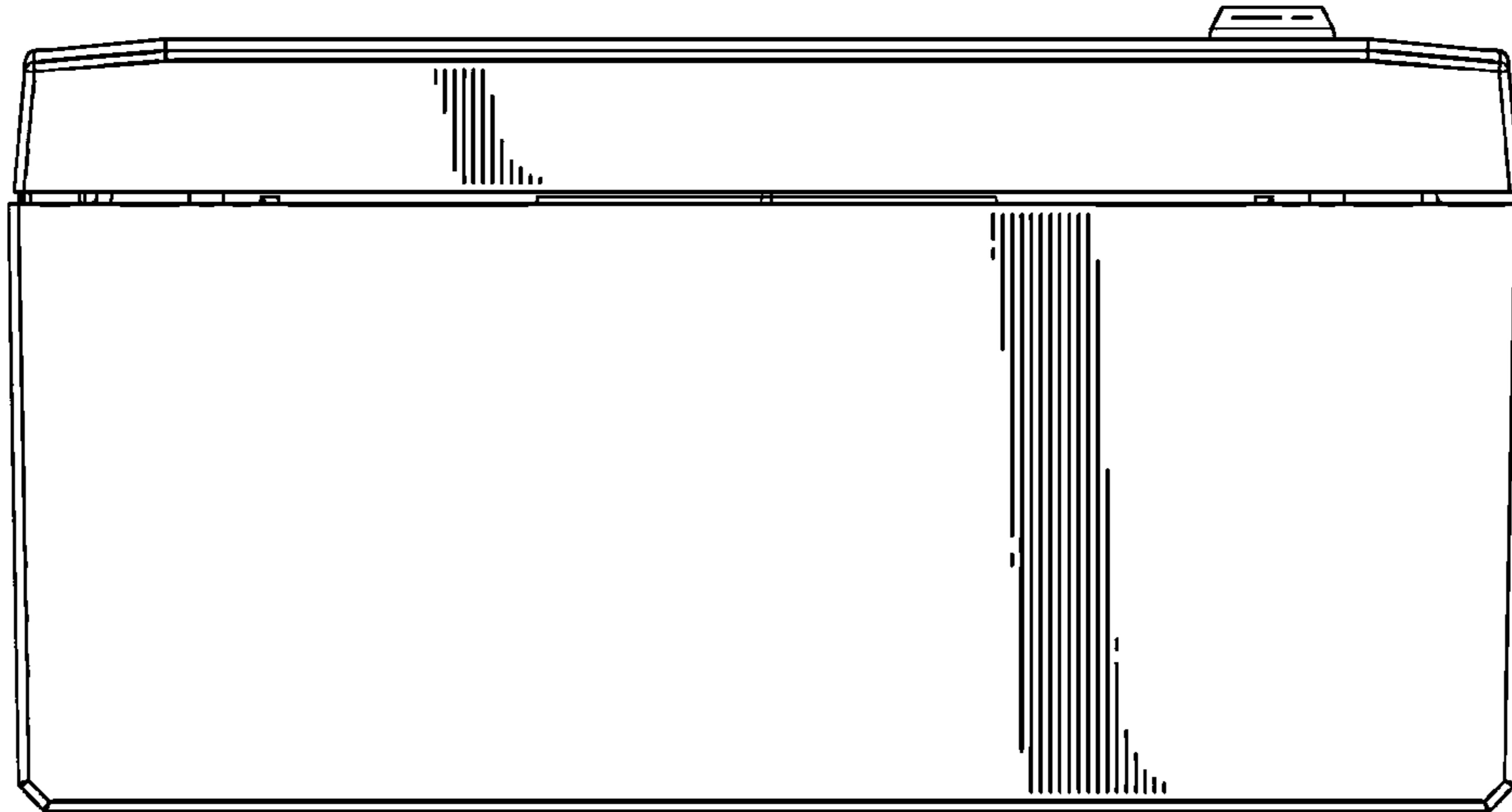


FIG.5

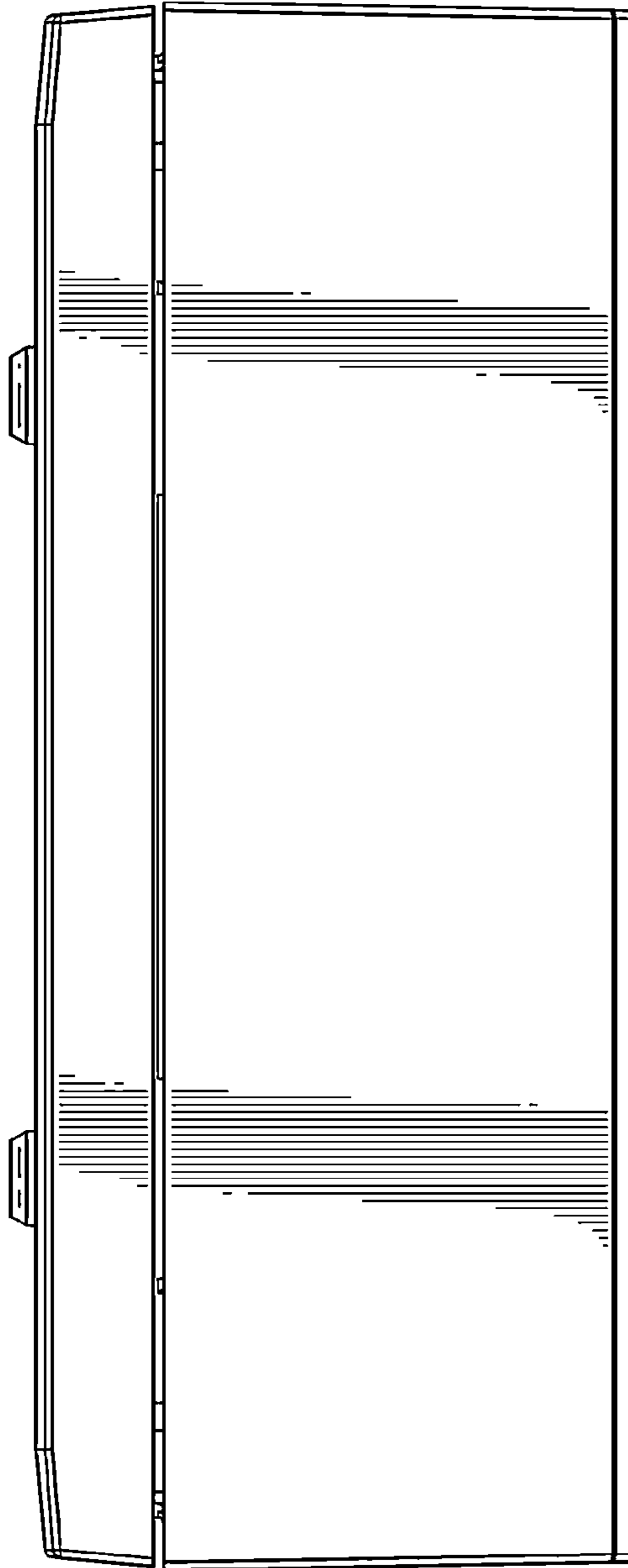


FIG.6

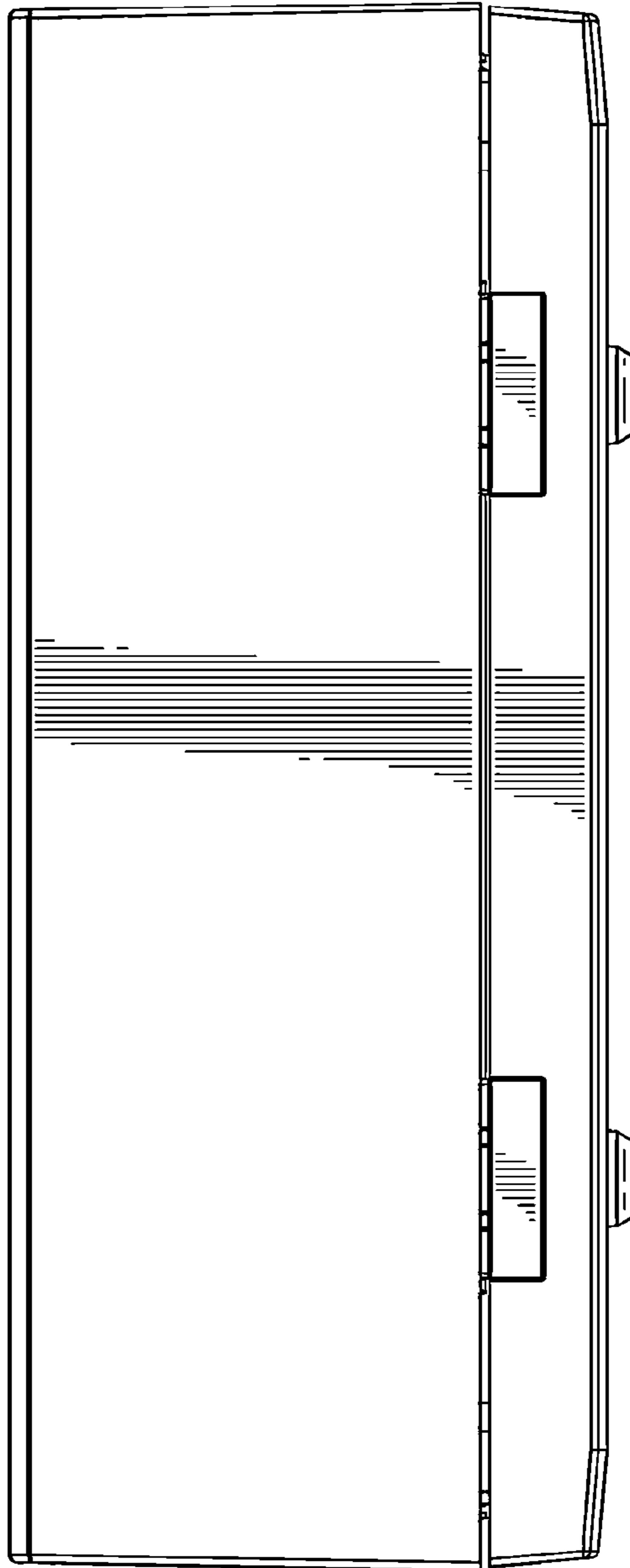


FIG.7