



US00D730303S

(12) **United States Design Patent**
Chou et al.

(10) **Patent No.:** **US D730,303 S**

(45) **Date of Patent:** **** May 26, 2015**

(54) **LED CHIP**

(71) Applicant: **HIGH POWER OPTO. INC.**, Taichung (TW)

(72) Inventors: **Li-Ping Chou**, Taichung (TW); **Yi-Chun Chou**, Taichung (TW); **Wei-Yu Yen**, Taichung (TW); **Fu-Bang Chen**, Taichung (TW)

(73) Assignee: **HIGH POWER OPTO, INC.**, Taichung (TW)

(**) Term: **14 Years**

(21) Appl. No.: **29/493,505**

(22) Filed: **Jun. 10, 2014**

(51) **LOC (10) Cl.** **13-03**

(52) **U.S. Cl.**
USPC **D13/180**

(58) **Field of Classification Search**
USPC D13/180; D26/1; 257/79, 80, 81, 88, 257/89, 95, 98, 99, 100, E33.058; 313/483, 313/498, 500; 362/555, 800

See application file for complete search history.

(56) **References Cited**

U.S. PATENT DOCUMENTS

D566,057 S *	4/2008	Edmond et al.	D13/180
D580,888 S *	11/2008	Liu	D13/180
D582,865 S *	12/2008	Edmond et al.	D13/180
D599,748 S *	9/2009	Liu	D13/180
D602,450 S *	10/2009	Edmond et al.	D13/180
D606,949 S *	12/2009	Liu	D13/180
D616,839 S *	6/2010	Edmond et al.	D13/180
D620,460 S *	7/2010	Liu	D13/180

D620,897 S *	8/2010	Shan et al.	D13/180
D627,747 S *	11/2010	Chu et al.	D13/180
D631,017 S *	1/2011	Arazoe et al.	D13/180
D631,018 S *	1/2011	Arazoe et al.	D13/180
D633,876 S *	3/2011	Shan et al.	D13/180
D635,525 S *	4/2011	Edmond et al.	D13/180
D653,630 S *	2/2012	Liu	D13/180
8,188,493 B2 *	5/2012	Li et al.	257/91
D684,940 S *	6/2013	Chu et al.	D13/180
D685,334 S *	7/2013	Chu et al.	D13/180
D686,173 S *	7/2013	Chou et al.	D13/180
D690,670 S *	10/2013	Chu et al.	D13/180
D691,569 S *	10/2013	Edmond et al.	D13/180
D693,779 S *	11/2013	Chu et al.	D13/180
D694,723 S *	12/2013	Wu et al.	D13/180
D698,743 S *	2/2014	Hon et al.	D13/180
2006/0284191 A1 *	12/2006	Yang et al.	257/79
2011/0278631 A1 *	11/2011	Shen et al.	257/99

* cited by examiner

Primary Examiner — Selina Sikder

(74) *Attorney, Agent, or Firm* — Muncy, Geissler, Olds & Lowe, P.C.

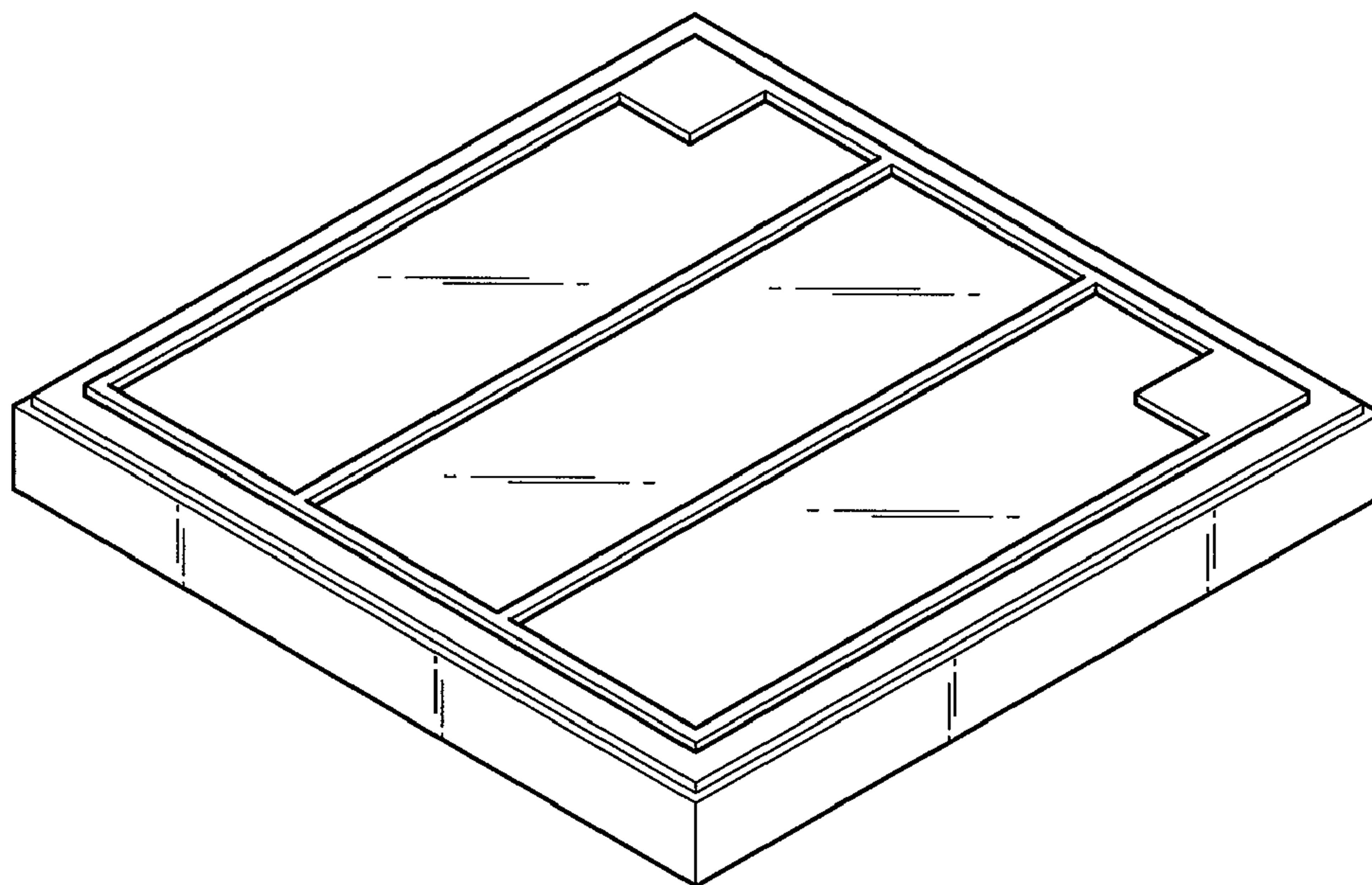
(57) **CLAIM**

The ornamental design for “LED chip,” as shown and described.

DESCRIPTION

FIG. 1 is a perspective view of “LED chip” showing my new design thereof;
FIG. 2 is a front elevation view thereof;
FIG. 3 is a rear elevation view thereof;
FIG. 4 is a left side elevation view thereof;
FIG. 5 is a right side elevation view thereof;
FIG. 6 is a top view thereof; and,
FIG. 7 is a bottom plan view.

1 Claim, 4 Drawing Sheets



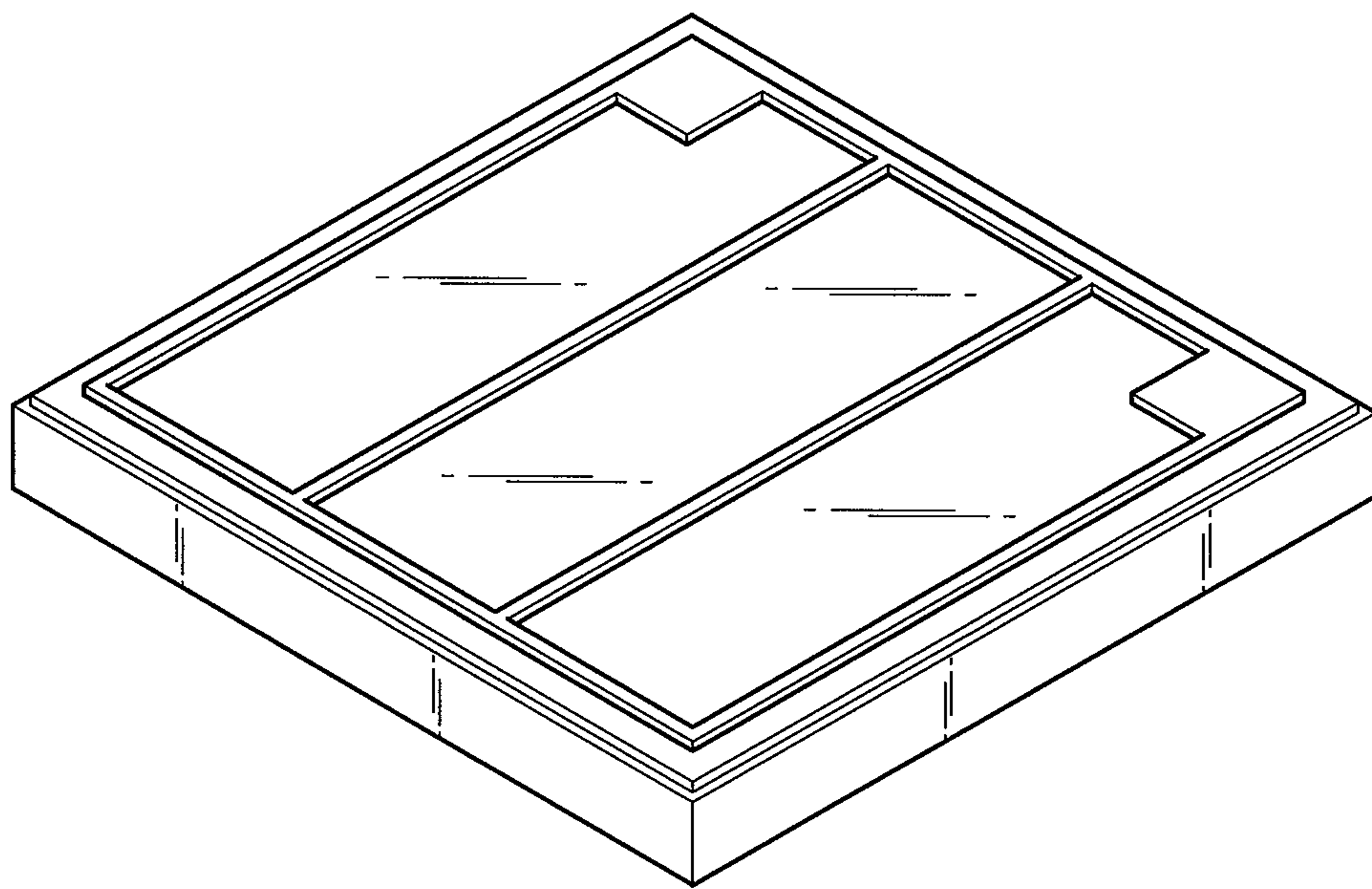


Fig . 1

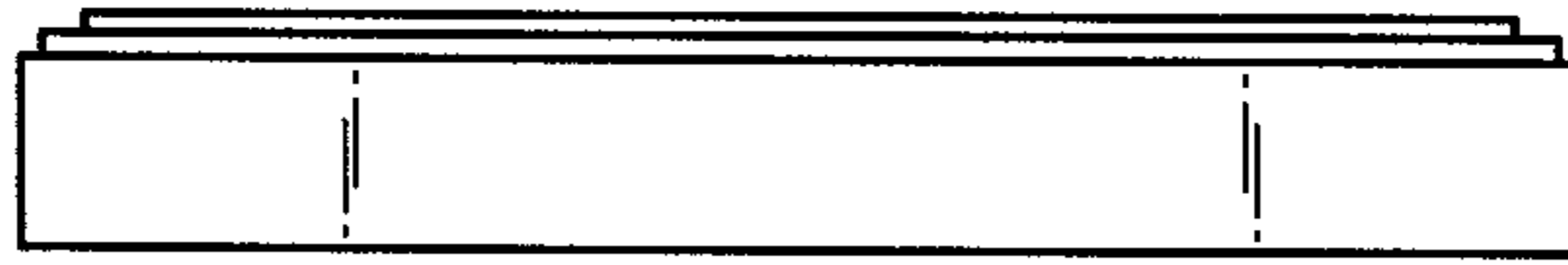


Fig . 2



Fig . 3

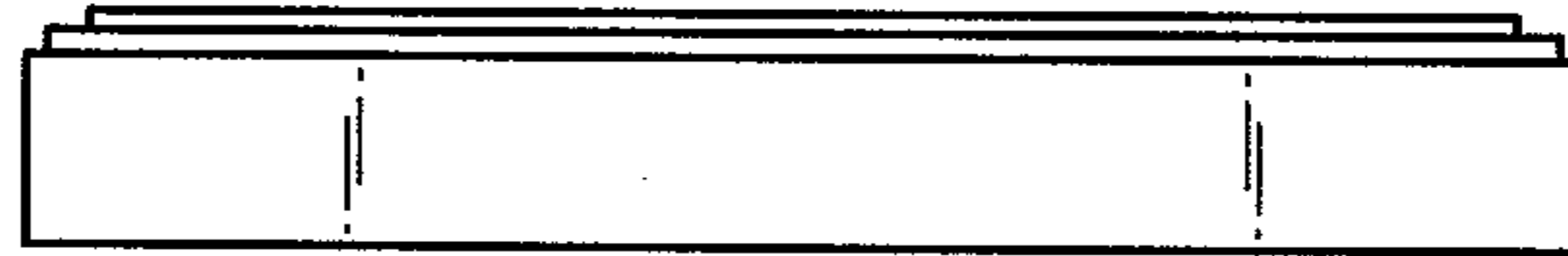


Fig . 4

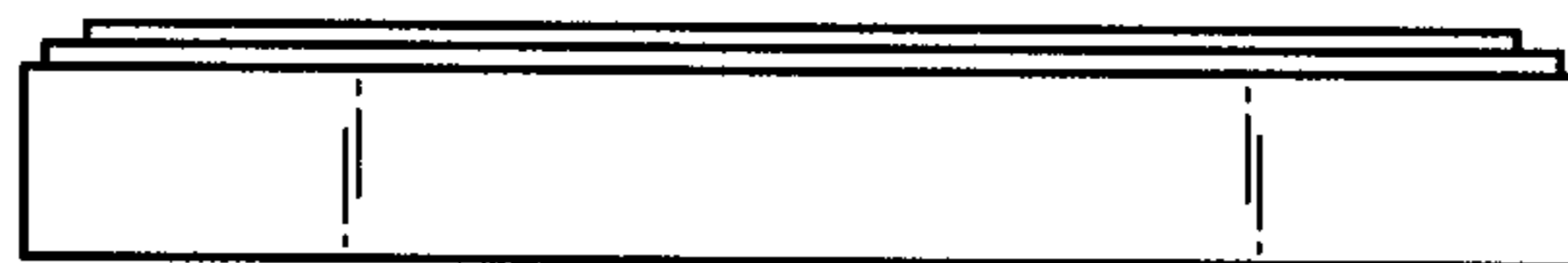


Fig . 5

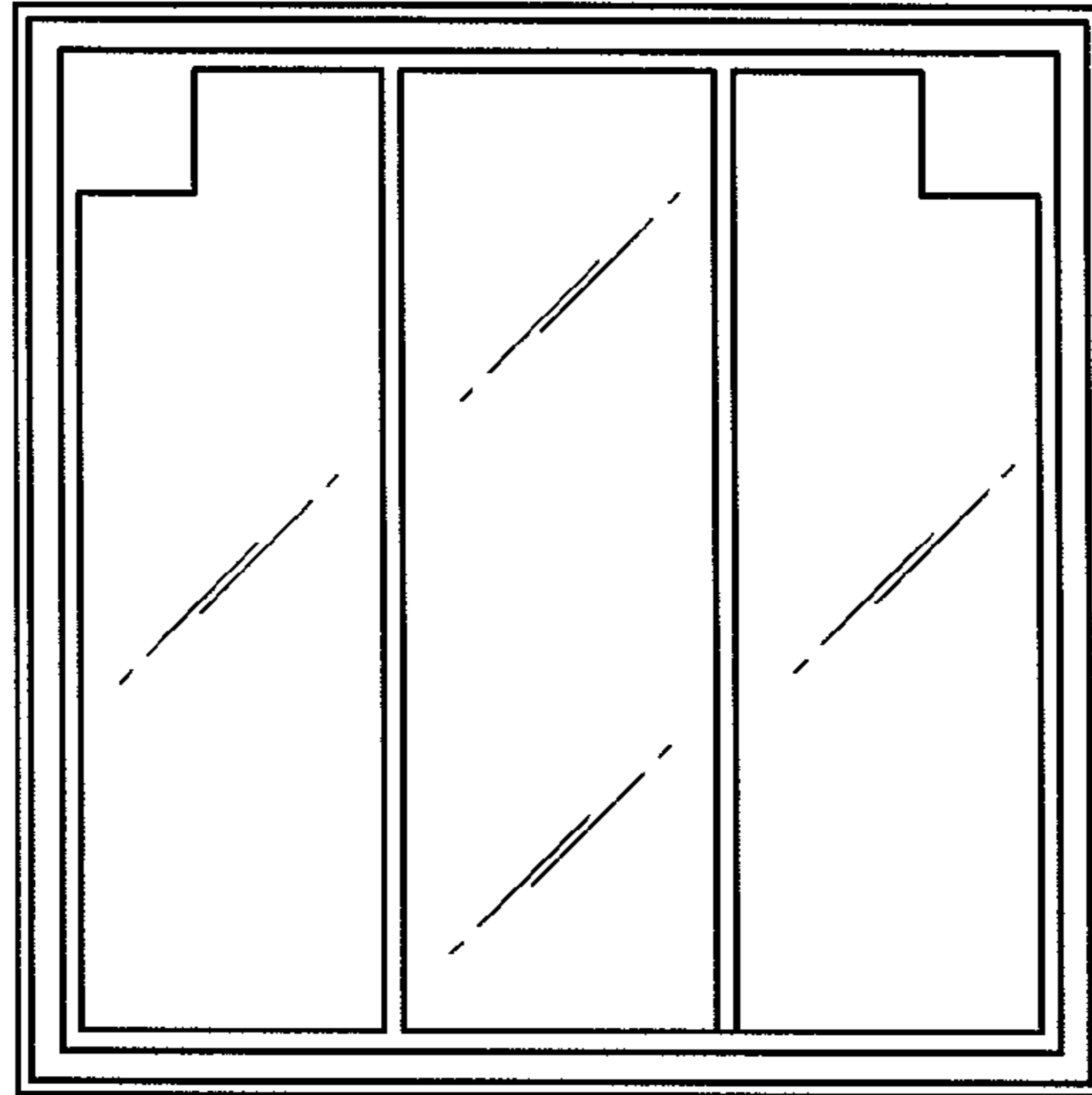


Fig . 6

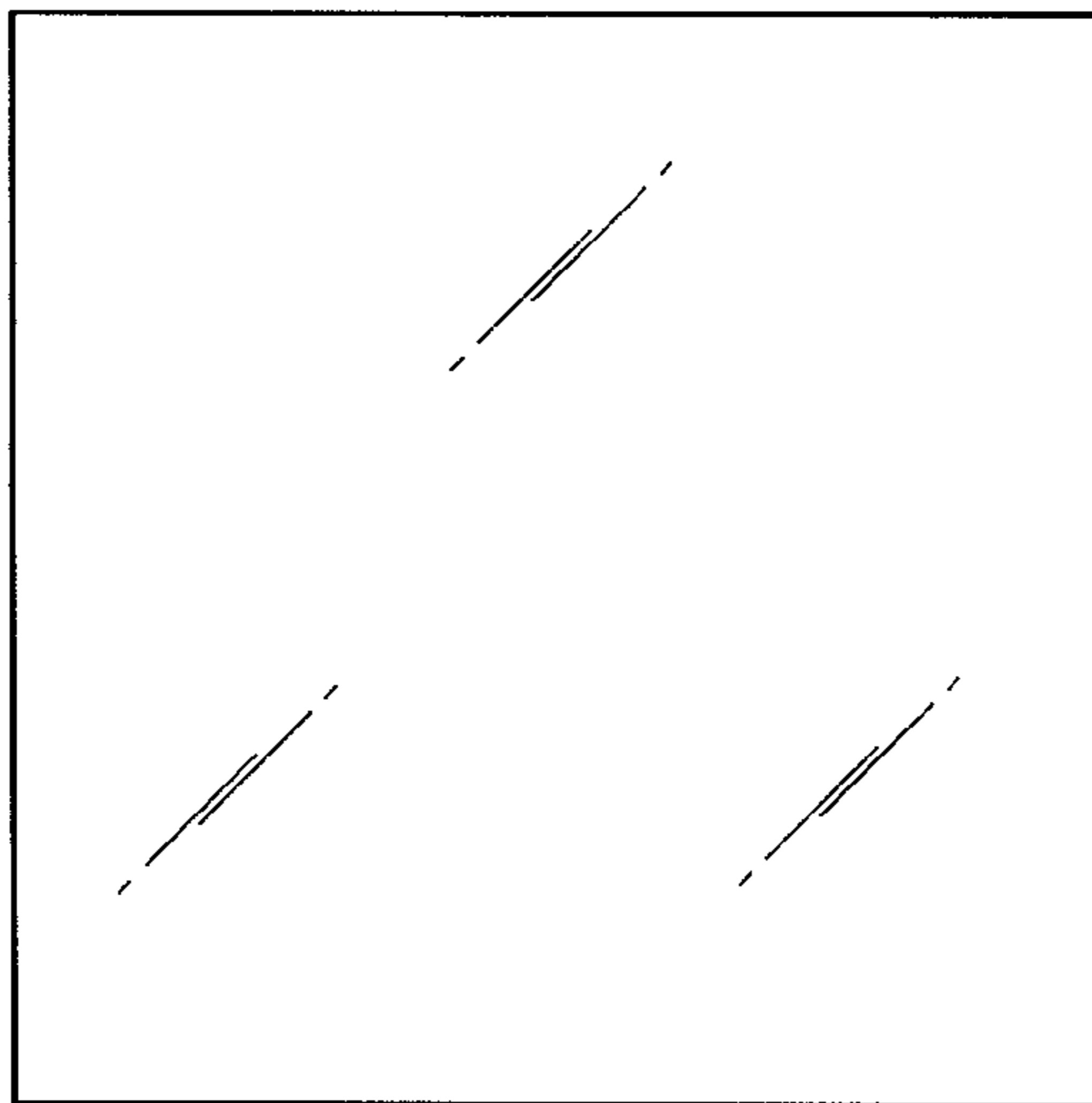


Fig . 7