



US00D730301S

(12) **United States Design Patent**
Sakai

(10) **Patent No.:** **US D730,301 S**

(45) **Date of Patent:** **** May 26, 2015**

(54) **REMOTE CONTROLLER**

(71) Applicant: **Yuki Sakai**, Chiyoda-ku (JP)

(72) Inventor: **Yuki Sakai**, Chiyoda-ku (JP)

(73) Assignee: **Mitsubishi Electric Corporation**,
Tokyo (JP)

(**) Term: **14 Years**

(21) Appl. No.: **29/440,804**

(22) Filed: **Dec. 27, 2012**

(30) **Foreign Application Priority Data**

Jul. 17, 2012	(JP)	2012-016878
Jul. 17, 2012	(JP)	2012-016879
Jul. 17, 2012	(JP)	2012-016880
Jul. 17, 2012	(JP)	2012-016881

(51) **LOC (10) Cl.** **14-03**

(52) **U.S. Cl.**
USPC **D13/168**

(58) **Field of Classification Search**
USPC D13/168; D10/49, 50, 104.1, 106.1;
D14/203.7, 341, 496; 165/238;
315/158, 295; 340/4.3, 4.42, 12.22,
340/12.23, 12.24, 12.29, 12.3, 13.2, 13.21,
340/13.24; 341/176; 236/49.3, 46 R, 51, 1 C,
236/94; 348/734; 455/352; 700/17, 65, 83,
700/86, 276, 277

See application file for complete search history.

(56) **References Cited**

U.S. PATENT DOCUMENTS

D409,200 S *	5/1999	Cooper	D14/218
D501,463 S *	2/2005	Hisatsune	D14/218
D518,744 S *	4/2006	Rosen	D10/50
D582,800 S *	12/2008	Comerford et al.	D10/50

(Continued)

Primary Examiner — Selina Sikder

(74) *Attorney, Agent, or Firm* — Sughrue Mion, PLLC

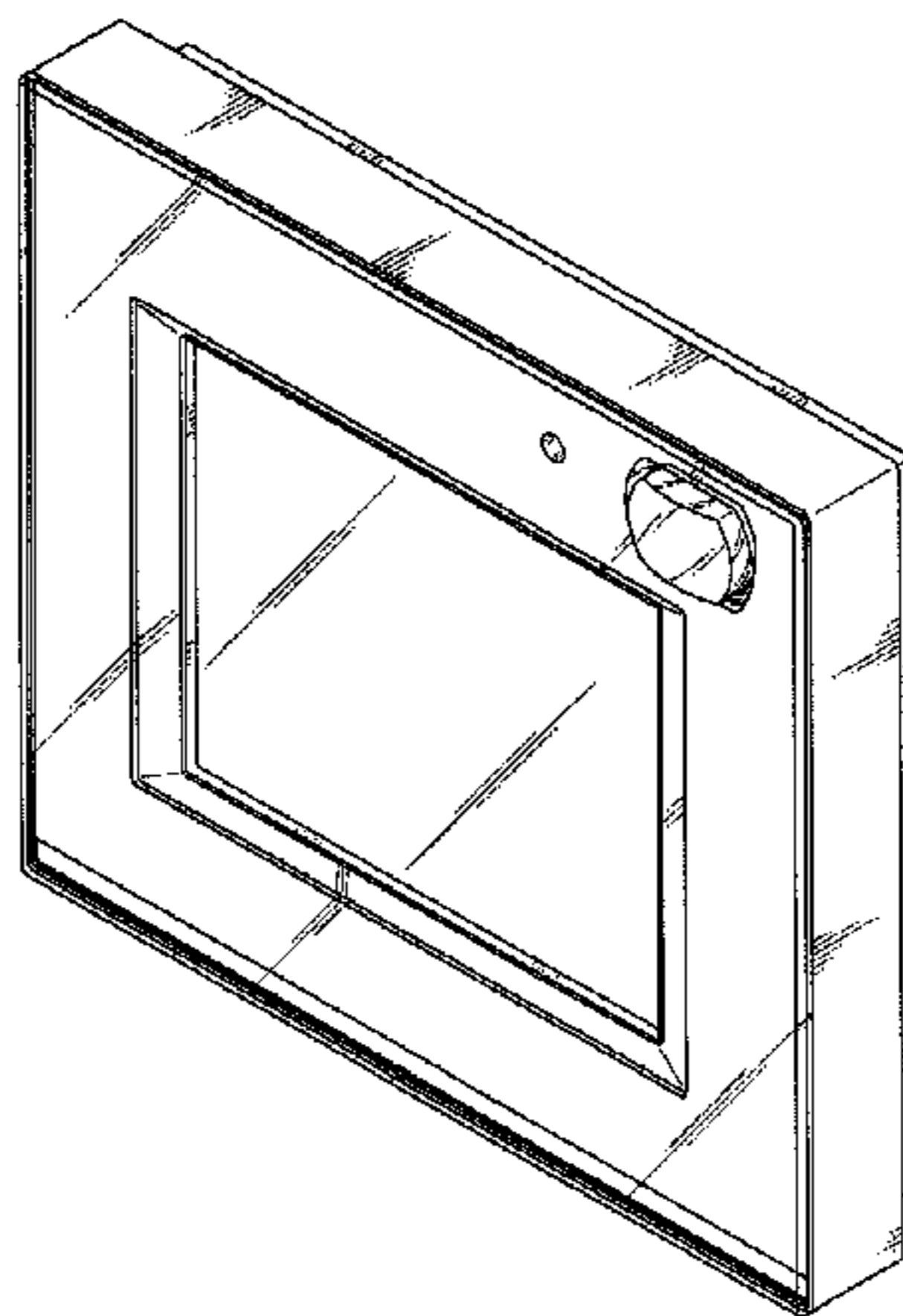
(57) **CLAIM**

The ornamental design for a remote controller, as shown and described.

DESCRIPTION

FIG. 1 is a front, top and right side perspective view of a remote controller, showing my new design;
 FIG. 2 is a rear, bottom and left side perspective view thereof;
 FIG. 3 is a front elevational view thereof;
 FIG. 4 is a rear elevational view thereof;
 FIG. 5 is a left side elevational view thereof;
 FIG. 6 is a right side elevational view thereof;
 FIG. 7 is a top plan view thereof;
 FIG. 8 is a bottom plan view thereof;
 FIG. 9 is a reference vertical cross-sectional view thereof; taken in the direction of line 9-9 in FIG. 3, with broken line disclosure of internal elements understood to represent unclaimed portions of the article in which the claimed design is embodied;
 FIG. 10 is a reference horizontal cross-sectional view thereof; taken in the direction of line 10-10 in FIG. 3, with broken line disclosure of internal elements understood to represent unclaimed portions of the article in which the claimed design is embodied;
 FIG. 11 is a front, top and right side perspective view of a remote controller, showing a further embodiment of my new design;
 FIG. 12 is a rear, bottom and left side perspective view thereof;
 FIG. 13 is a front elevational view thereof;
 FIG. 14 is a rear elevational view thereof;
 FIG. 15 is a left side elevational view thereof;
 FIG. 16 is a right side elevational view thereof;
 FIG. 17 is a top plan view thereof;
 FIG. 18 is a bottom plan view thereof;
 FIG. 19 is a reference vertical cross-sectional view thereof; taken in the direction of line 19-19 in FIG. 13, with broken line disclosure of internal elements understood to represent unclaimed portions of the article in which the claimed design is embodied; and,
 FIG. 20 is a reference horizontal cross-sectional view thereof; taken in the direction of line 20-20 in FIG. 13, with broken line disclosure of internal elements understood to represent unclaimed portions of the article in which the claimed design is embodied.

1 Claim, 16 Drawing Sheets



US D730,301 S

Page 2

(56)

References Cited

U.S. PATENT DOCUMENTS

D582,802 S * 12/2008 Branson et al. D10/50
D630,169 S * 1/2011 Nakai et al. D13/168
D635,556 S * 4/2011 Suzuki D14/218

D648,641 S * 11/2011 Wallaert et al. D10/50
D661,662 S * 6/2012 Kikuchi et al. D13/168
D678,218 S * 3/2013 Sheen D13/168
D678,219 S * 3/2013 Higashijima et al. D13/168
D696,636 S * 12/2013 Sakai D13/168

* cited by examiner

Fig. 1

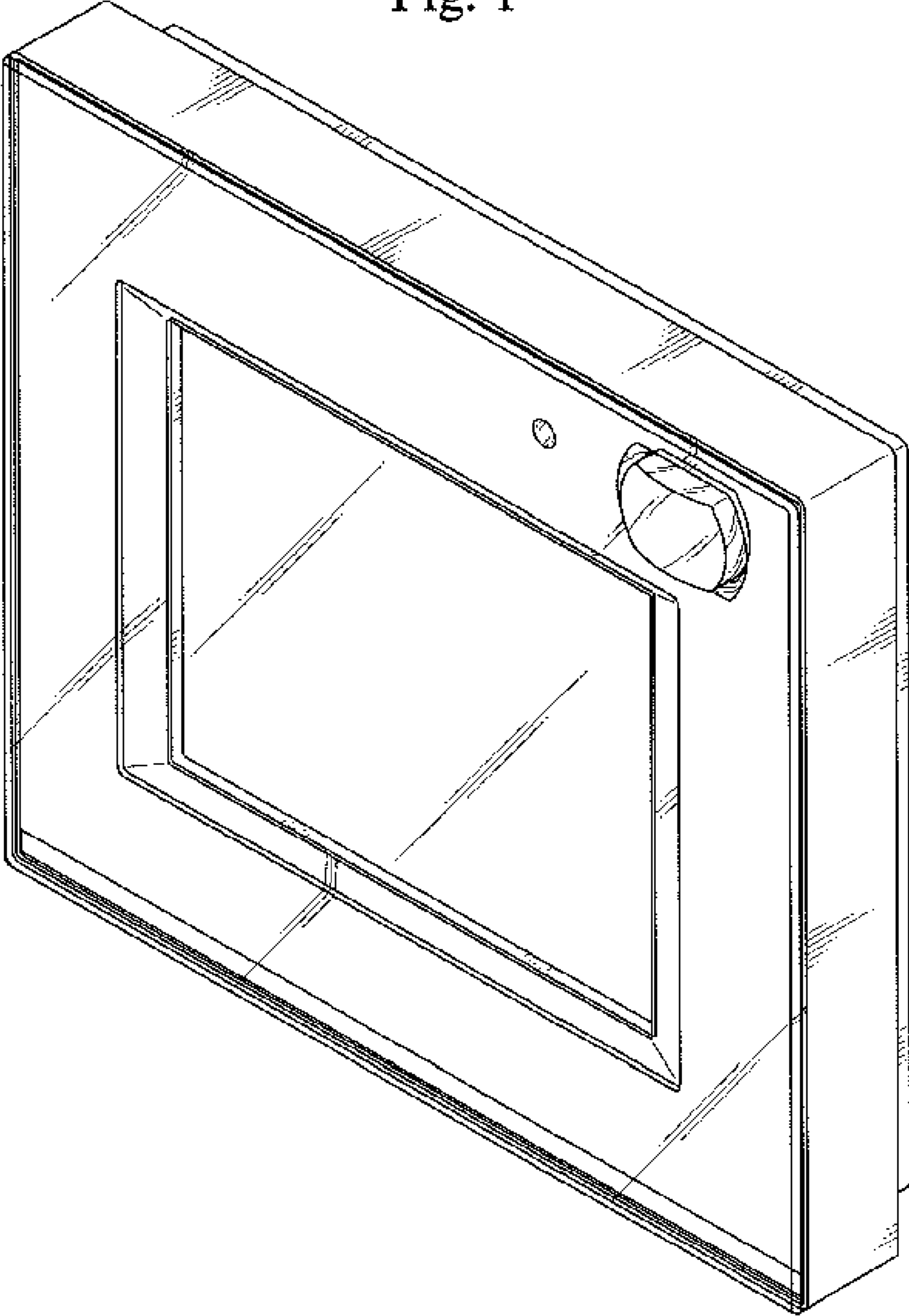


Fig. 2

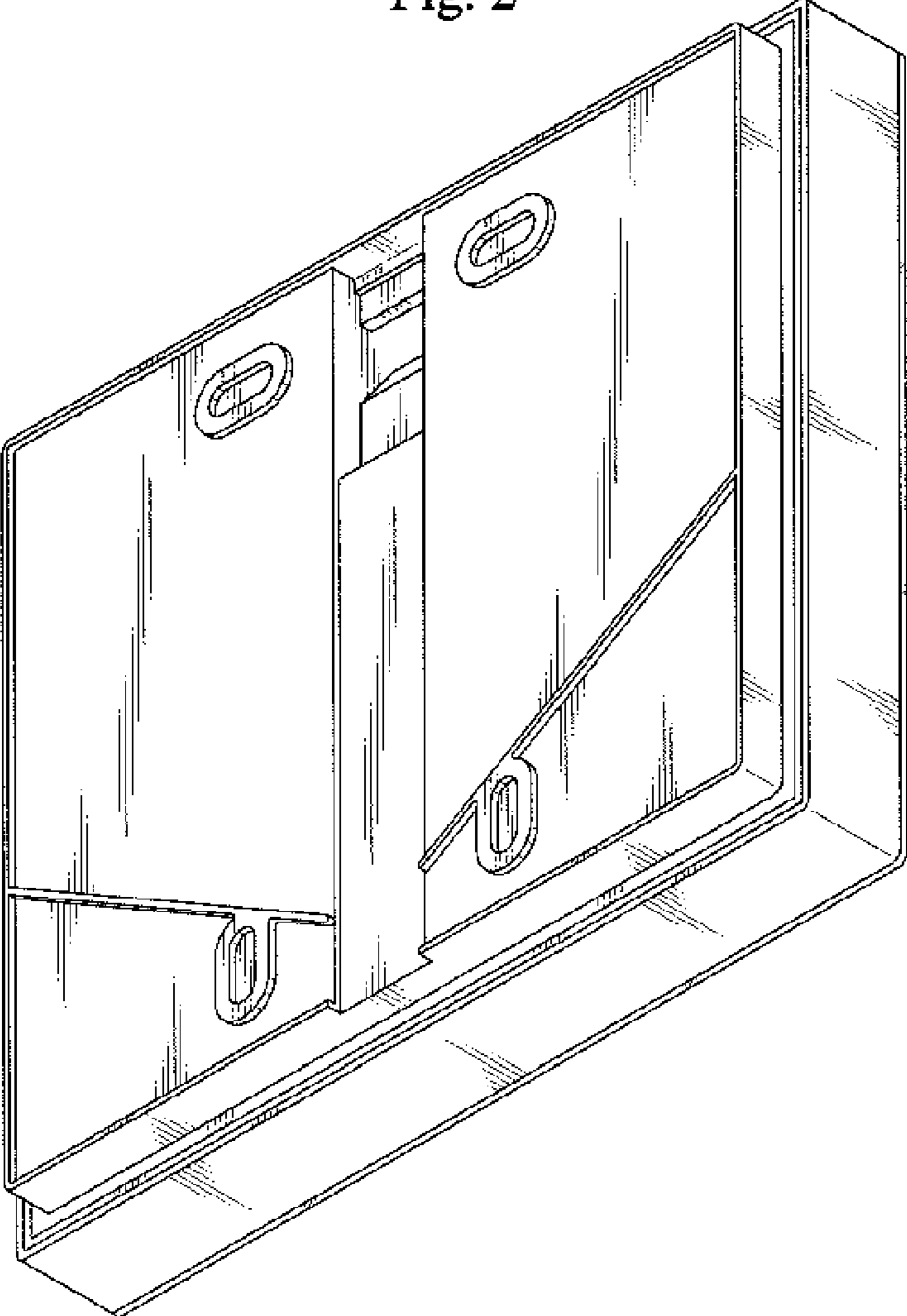


Fig. 3

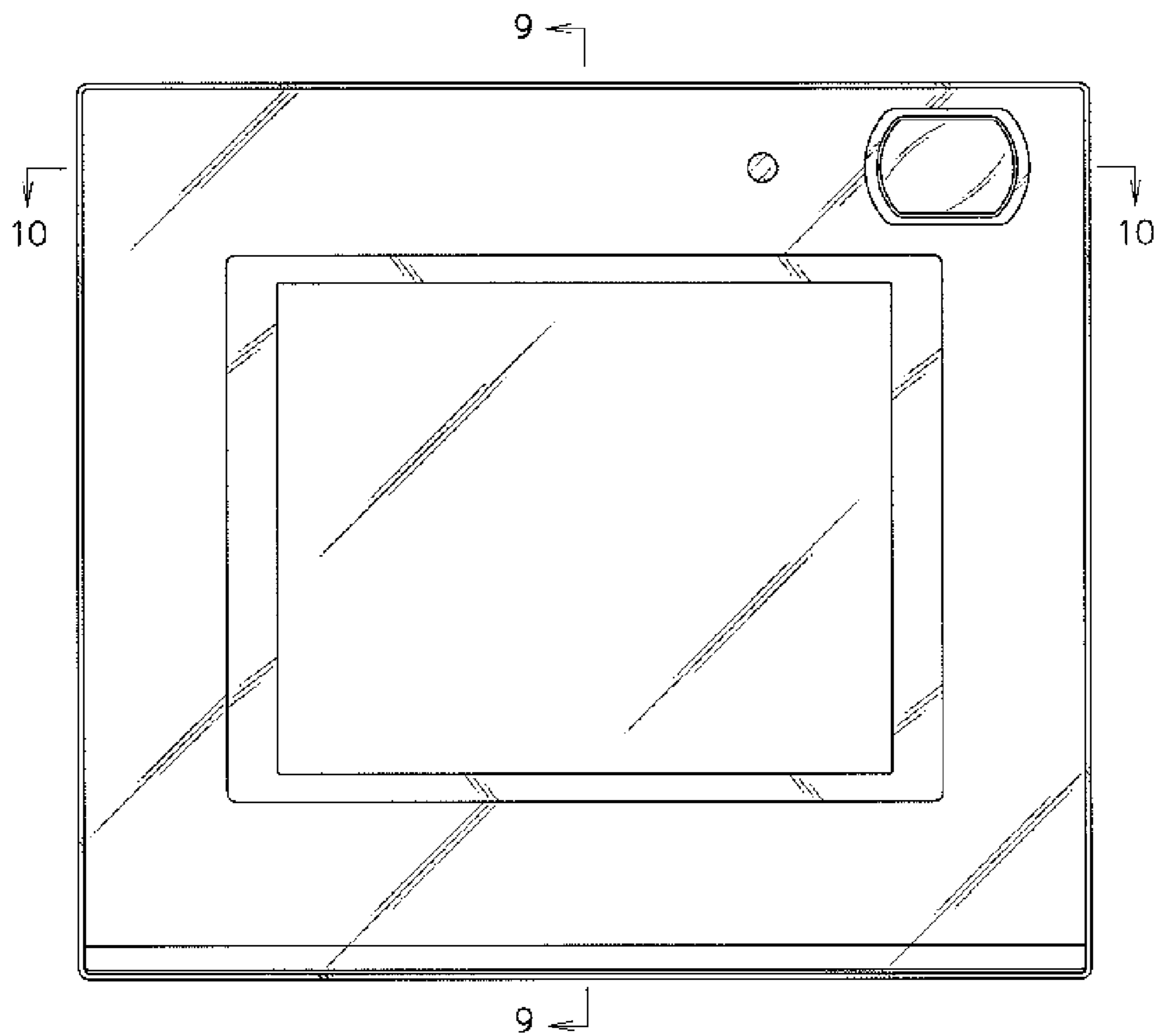


Fig. 4

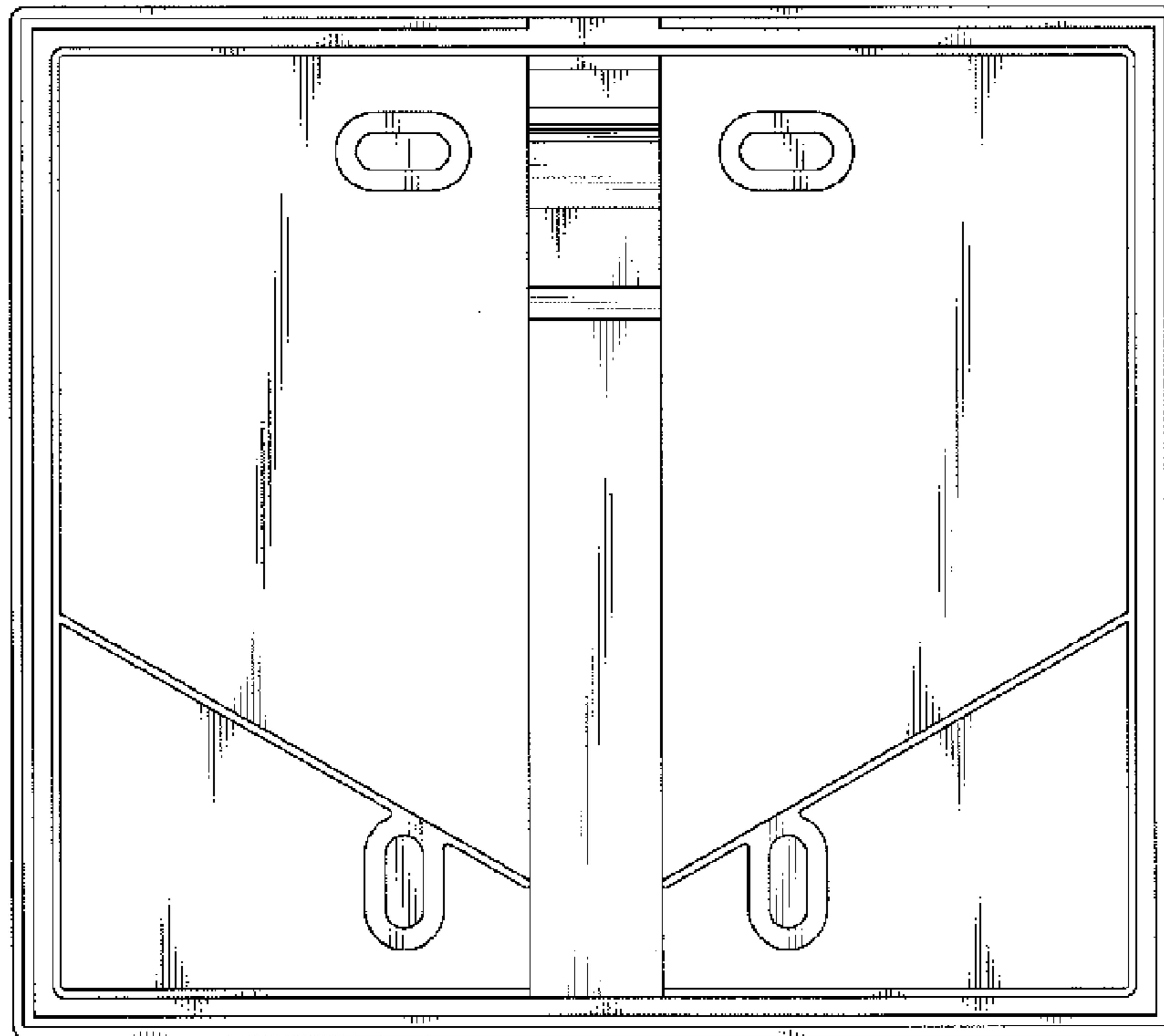


Fig. 5

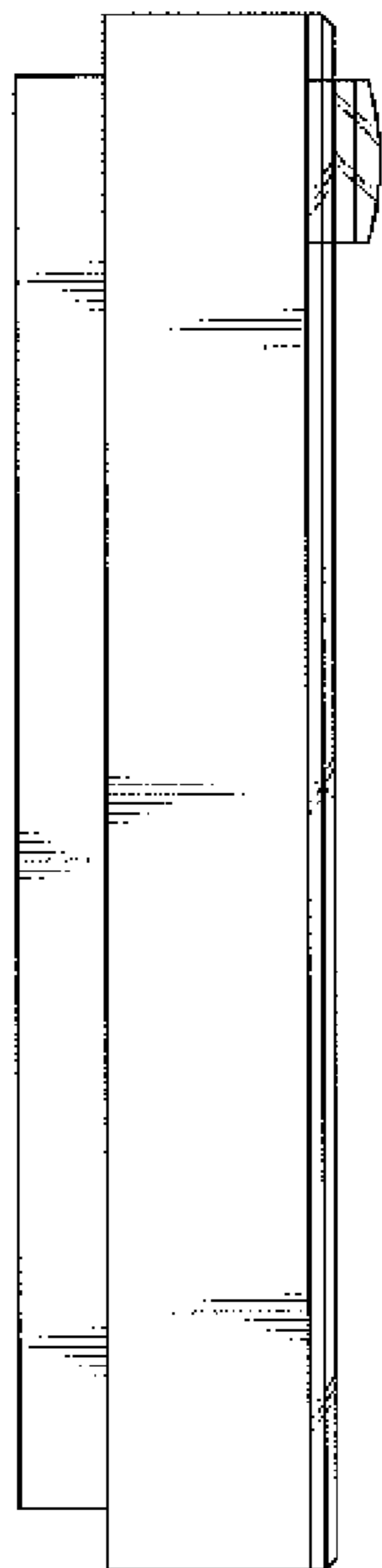


Fig. 6

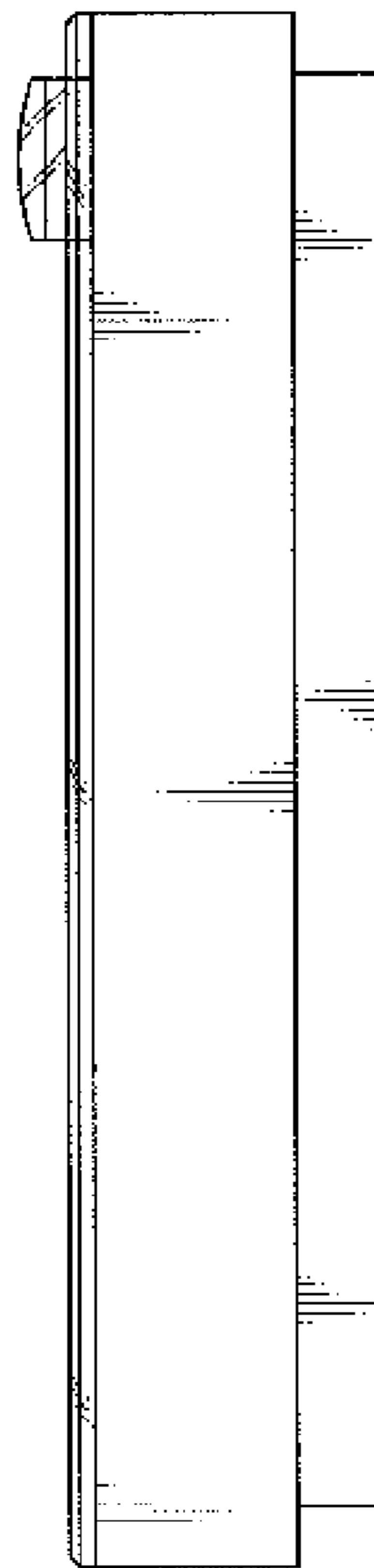


Fig. 7

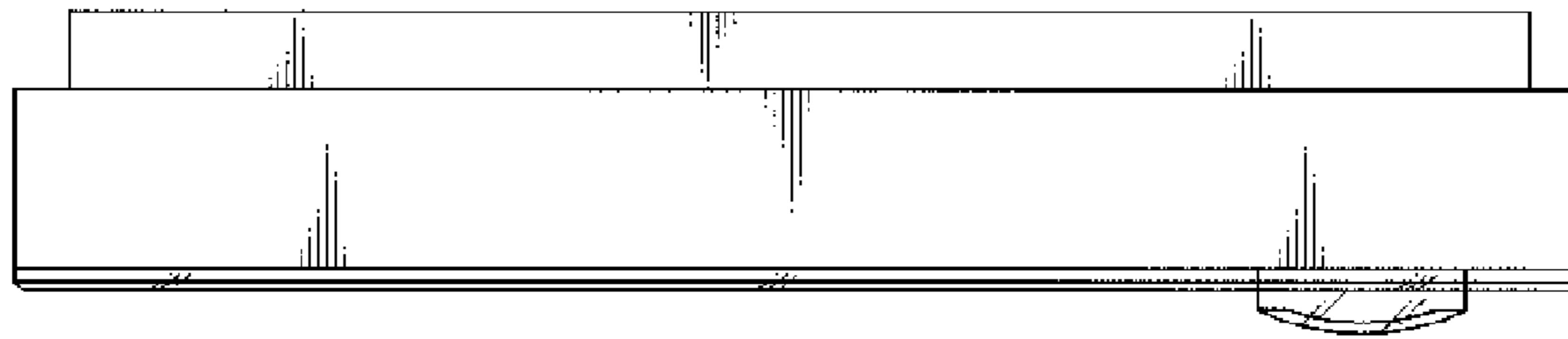


Fig. 8

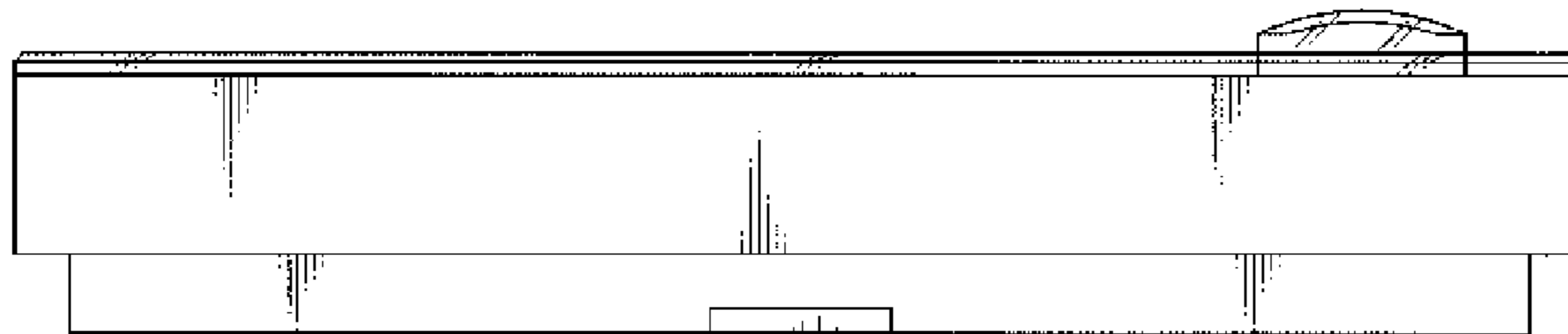


Fig. 9

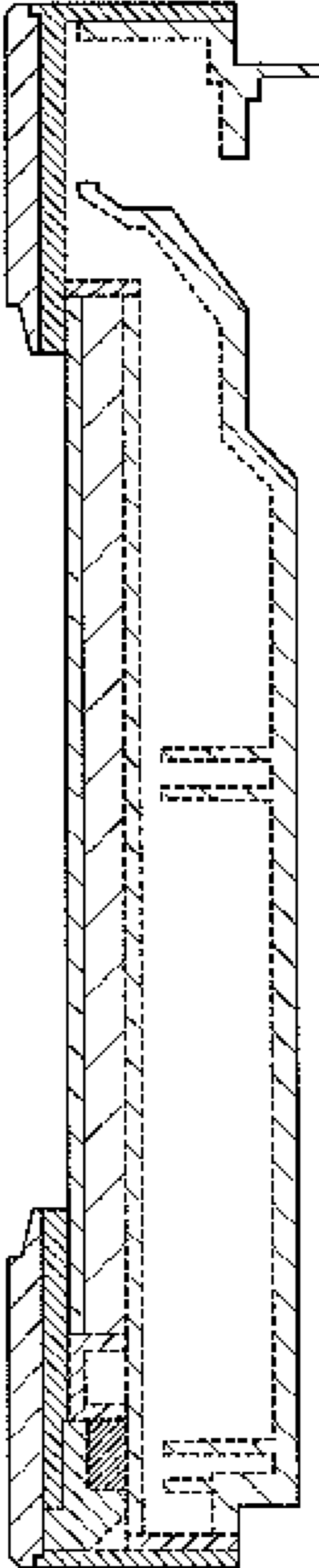


Fig. 10

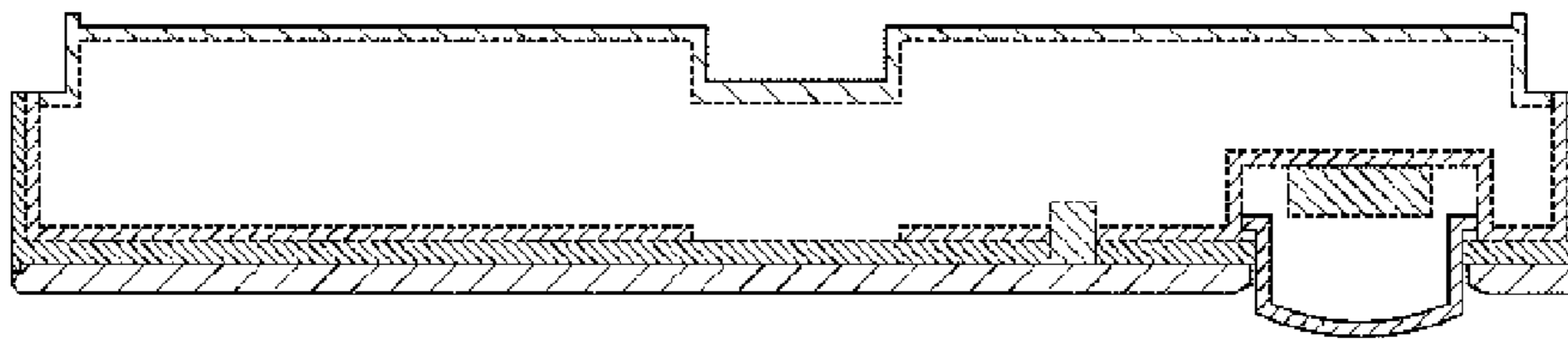


Fig. 11

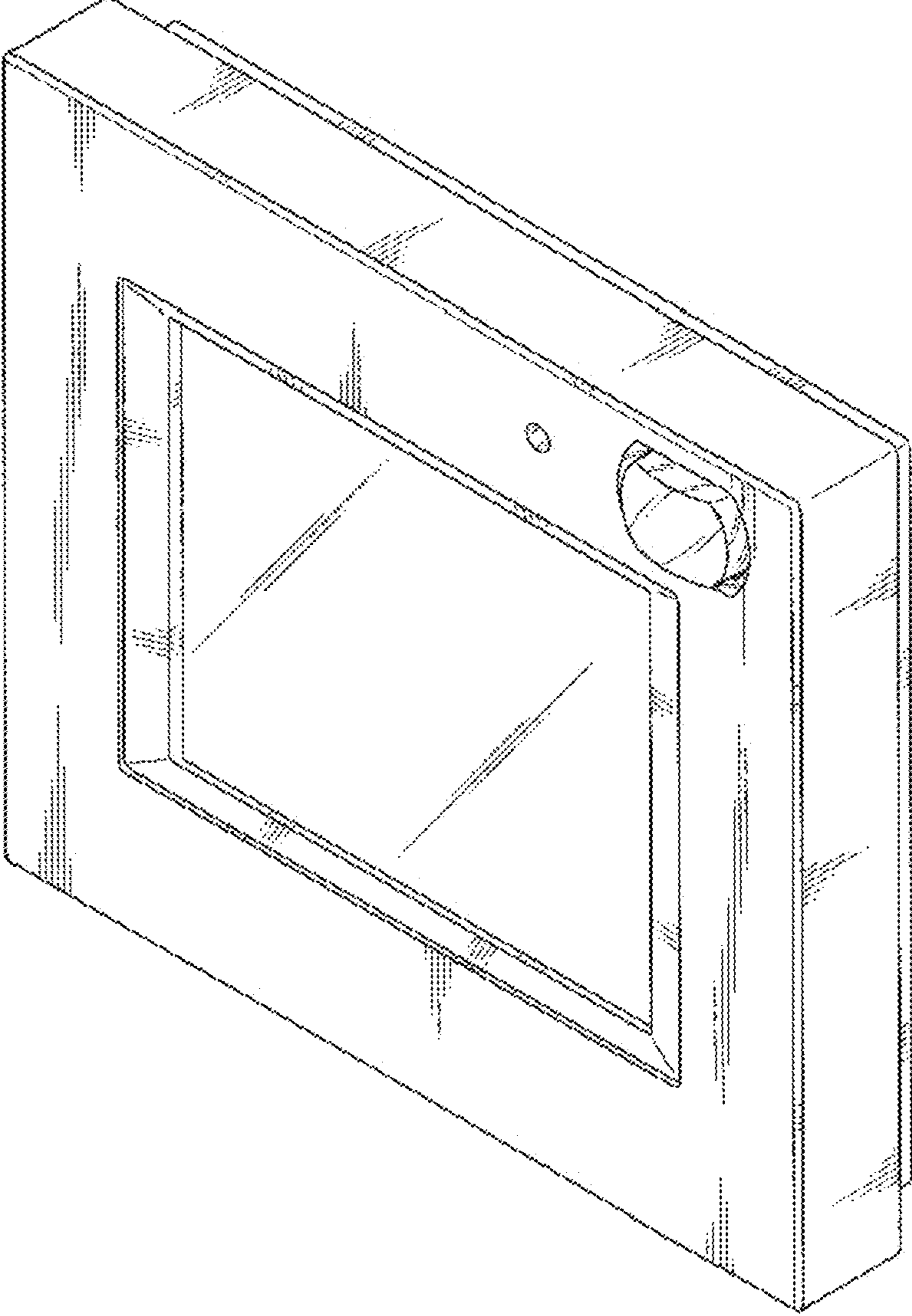


Fig. 12

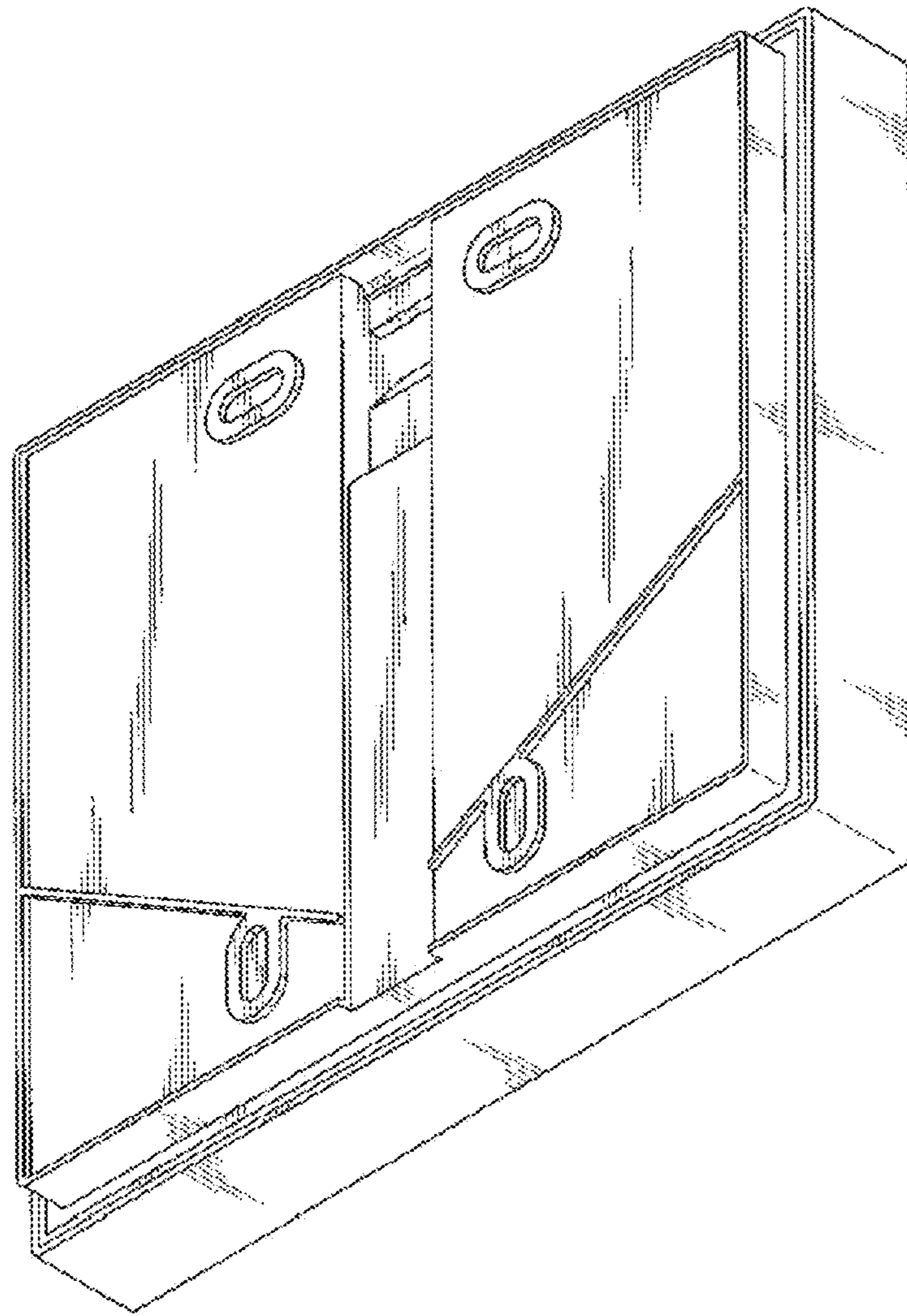


Fig. 13

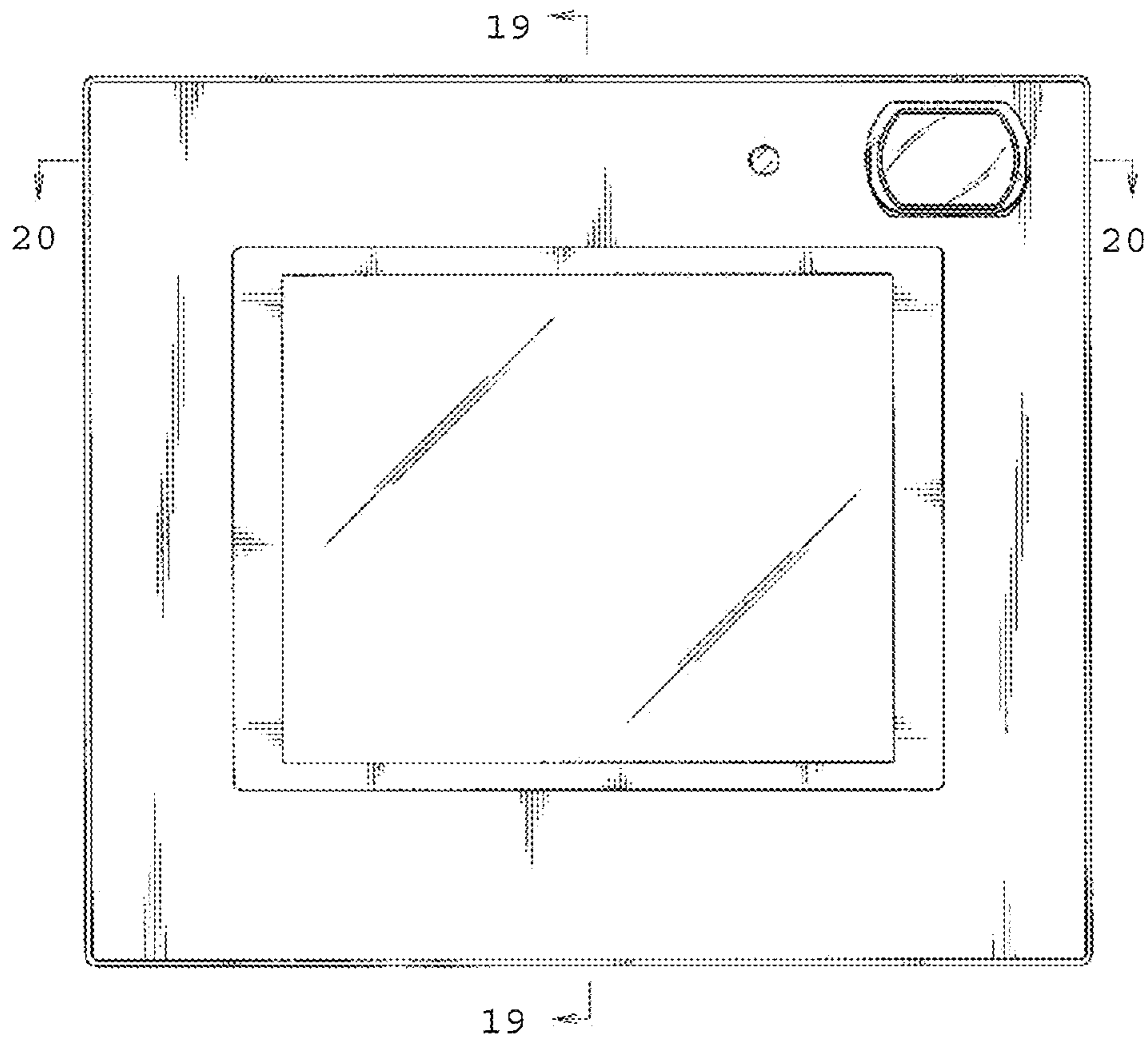


Fig. 14

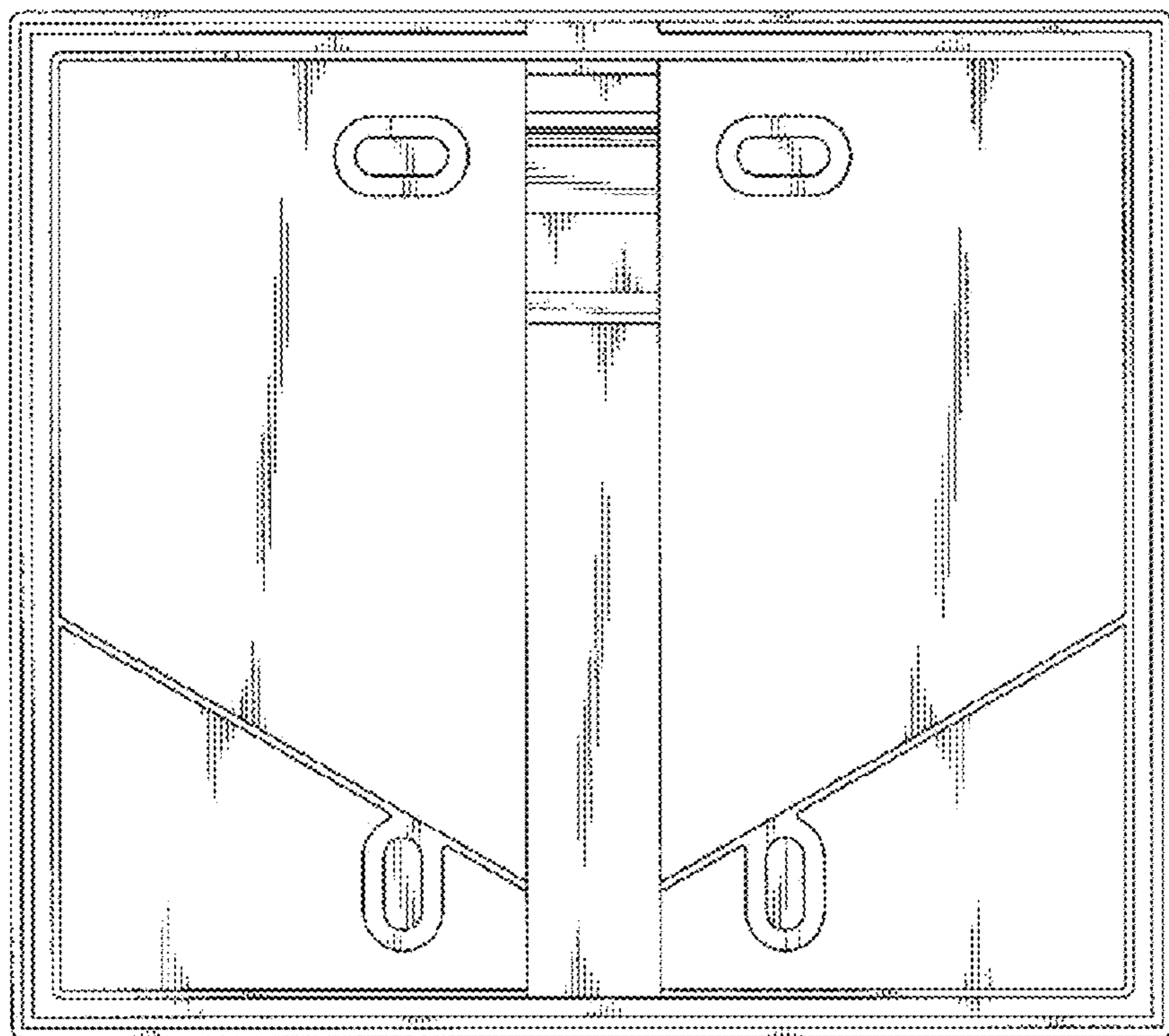


Fig. 15

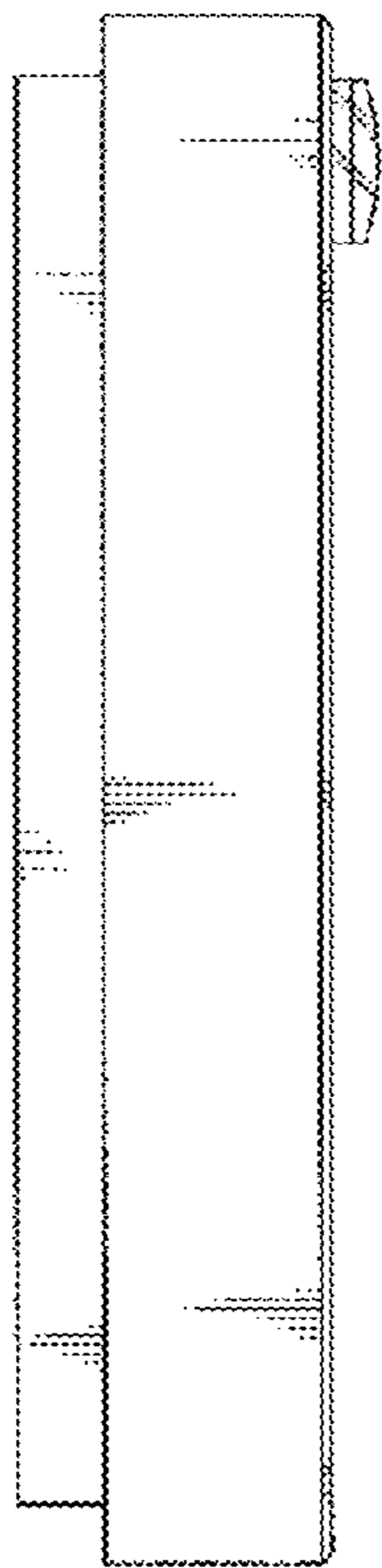


Fig. 16

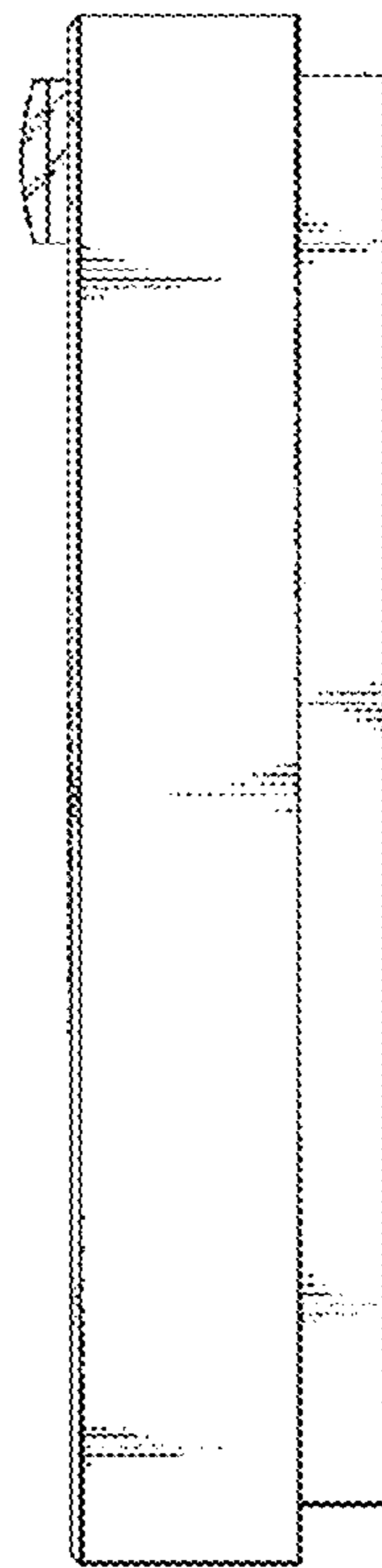


Fig. 17

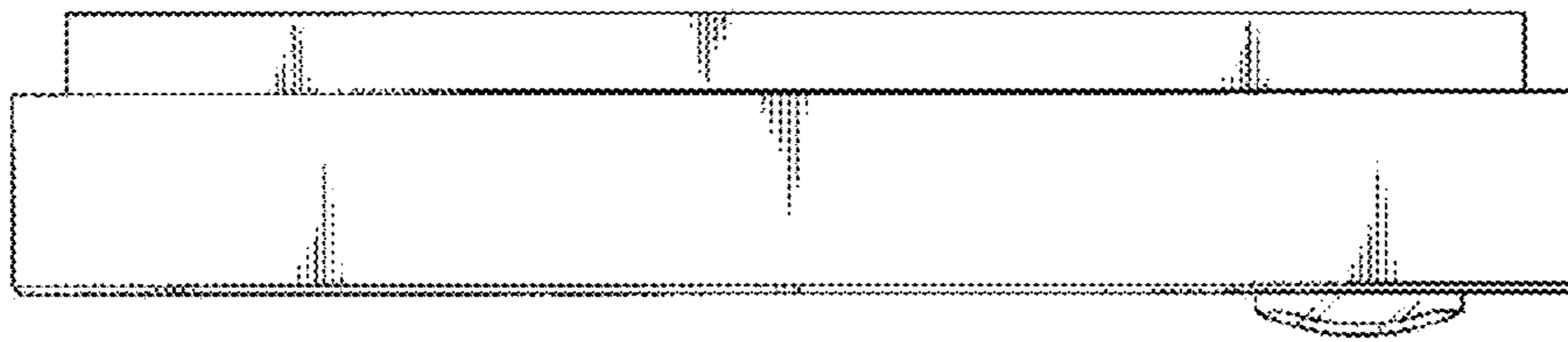


Fig. 18

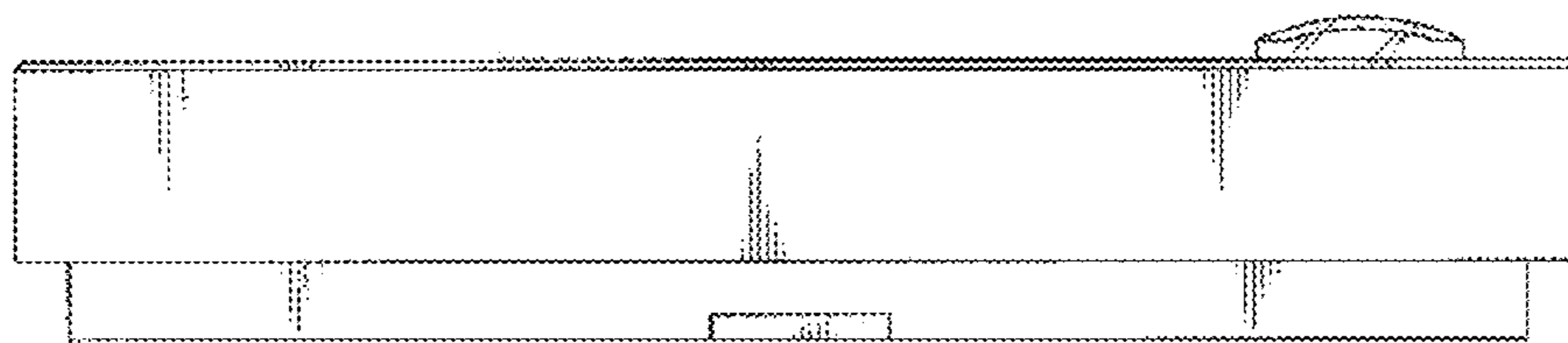


Fig. 19

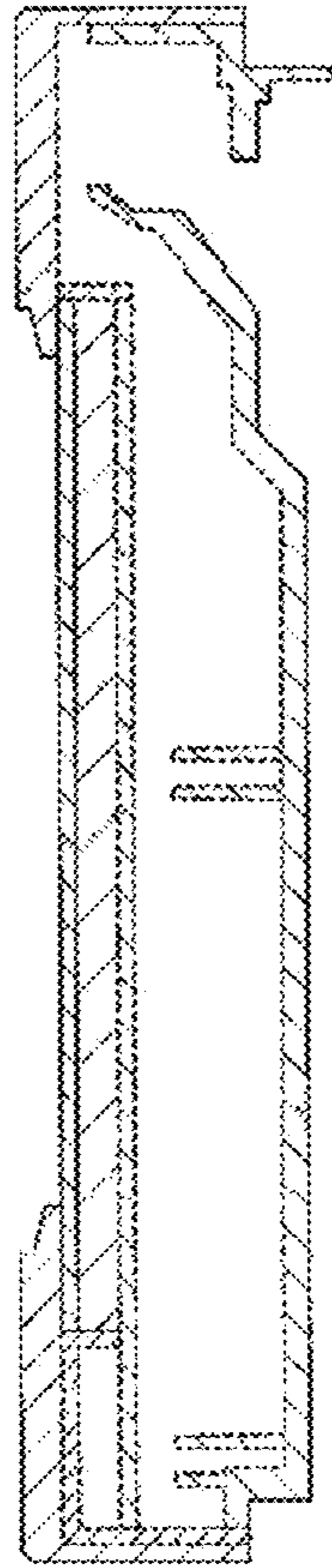


Fig. 20

