



US00D730300S

(12) **United States Design Patent**
Kobayashi et al.

(10) **Patent No.:** **US D730,300 S**

(45) **Date of Patent:** **** May 26, 2015**

(54) **FUSE**

(71) Applicant: **PACIFIC ENGINEERING CORP.**,
Ogaki-shi, Gifu-ken (JP)

(72) Inventors: **Tatsunori Kobayashi**, Ogaki (JP);
Masahiro Kimura, Ogaki (JP)

(73) Assignee: **Pacific Engineering Corp.**, Gifu-ken
(JP)

(**) Term: **14 Years**

(21) Appl. No.: **29/473,901**

(22) Filed: **Nov. 26, 2013**

(30) **Foreign Application Priority Data**

May 30, 2013 (JP) 2013-011952
May 30, 2013 (JP) 2013-011953

(51) **LOC (10) Cl.** **13-03**

(52) **U.S. Cl.**
USPC **D13/161**

(58) **Field of Classification Search**
USPC D13/103, 104, 110, 112, 123, 128, 130,
D13/133, 139.1, 139.3, 158-161, 164, 184,
D13/199, 177; 257/427; 335/202; 361/362,
361/819; 200/50.07, 295; 439/606, 620,
439/620.27-620.29, 638; 337/186
See application file for complete search history.

(56) **References Cited**

U.S. PATENT DOCUMENTS

D375,940 S * 11/1996 Shimizu et al. D13/161
5,739,739 A * 4/1998 Muramatsu et al. 337/234
D461,169 S * 8/2002 Onoda et al. D13/161
D517,988 S * 3/2006 Ihde et al. D13/119
D555,600 S * 11/2007 Ohta D13/161
D567,765 S * 4/2008 Ohta D13/161

D567,766 S * 4/2008 Ohta D13/161
D606,033 S * 12/2009 Sonntag D13/184
D607,841 S * 1/2010 Kudou et al. D13/161
D659,088 S * 5/2012 Steinberg
D688,212 S * 8/2013 Scheucher D13/158
2003/0222752 A1 * 12/2003 Ohashi et al. 337/186

FOREIGN PATENT DOCUMENTS

JP D1249839 9/2005

OTHER PUBLICATIONS

Restriction Requirement dated Sep. 18, 2014 for related Design U.S.
Appl. No. 29/473,898, 6 pages.

* cited by examiner

Primary Examiner — Thomas Johannes

Assistant Examiner — Shawn T Gingrich

(74) *Attorney, Agent, or Firm* — Kilpatrick Townsend &
Stockton LLP

(57) **CLAIM**

The ornamental design for a fuse, as shown and described.

DESCRIPTION

FIG. 1 is a front, top and left side perspective view of a fuse
showing our new design;

FIG. 2 is a front view thereof, the rear view being identical to
the front view;

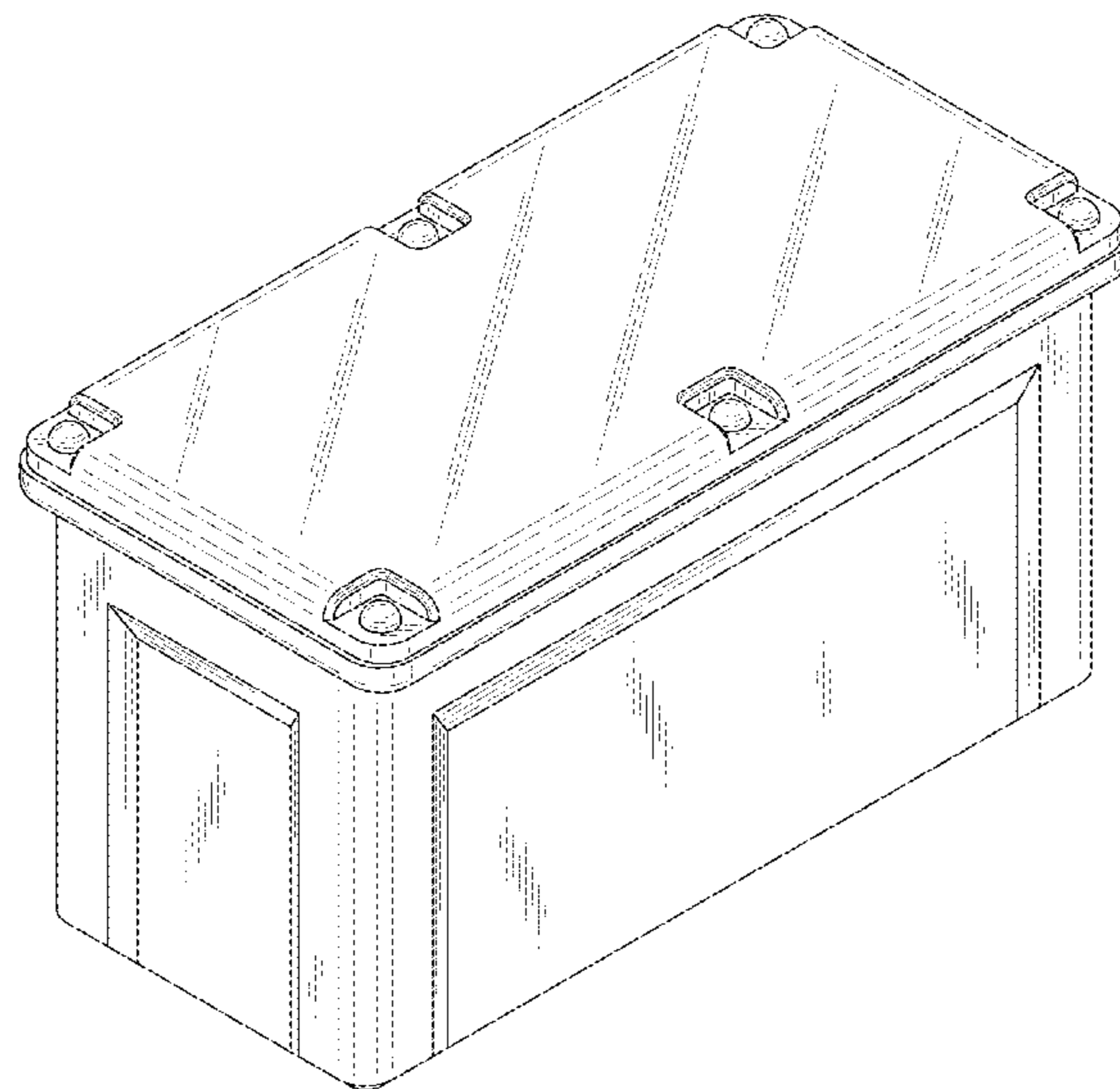
FIG. 3 is a top plan view thereof;

FIG. 4 is a bottom plan view thereof; and,

FIG. 5 is a right side view thereof, the left side view being
identical to the right side view.

The oblique shade lines shown in the drawings represent that
the cover is transparent. The broken line portion of the figure
drawings is included to show unclaimed subject matter only
and forms no part of the claimed design.

1 Claim, 5 Drawing Sheets



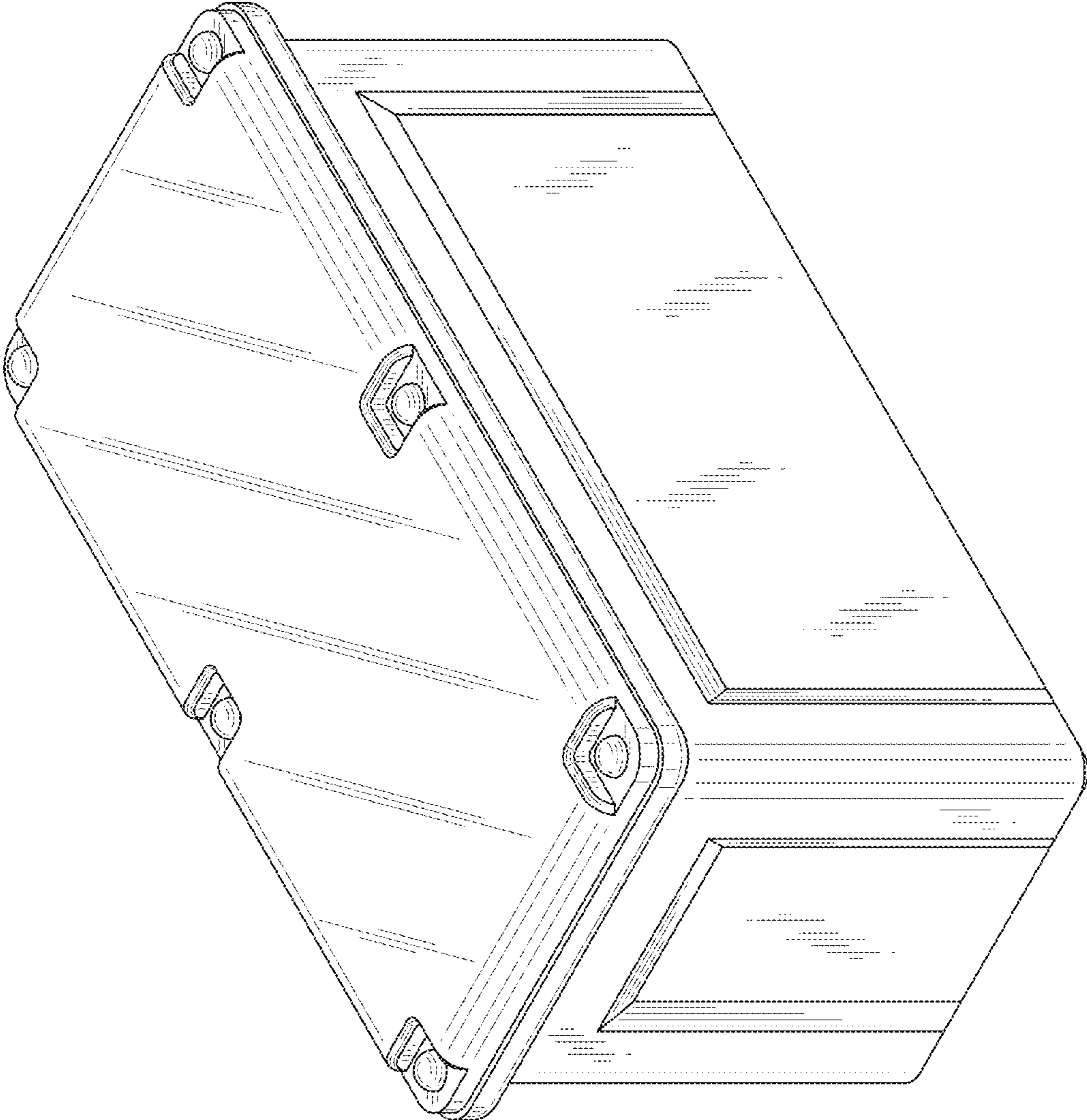
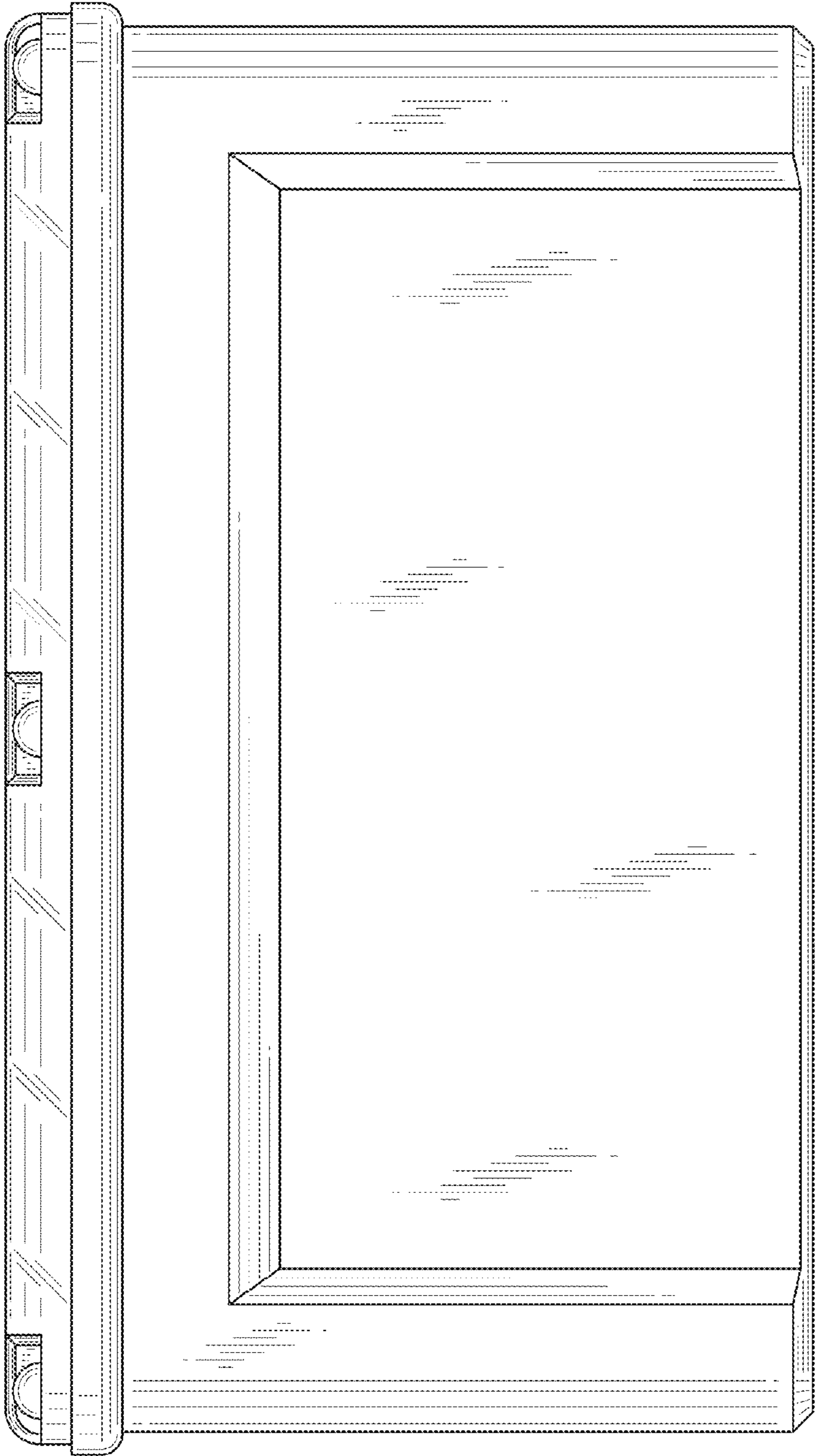


Fig. 1

Fig. 2



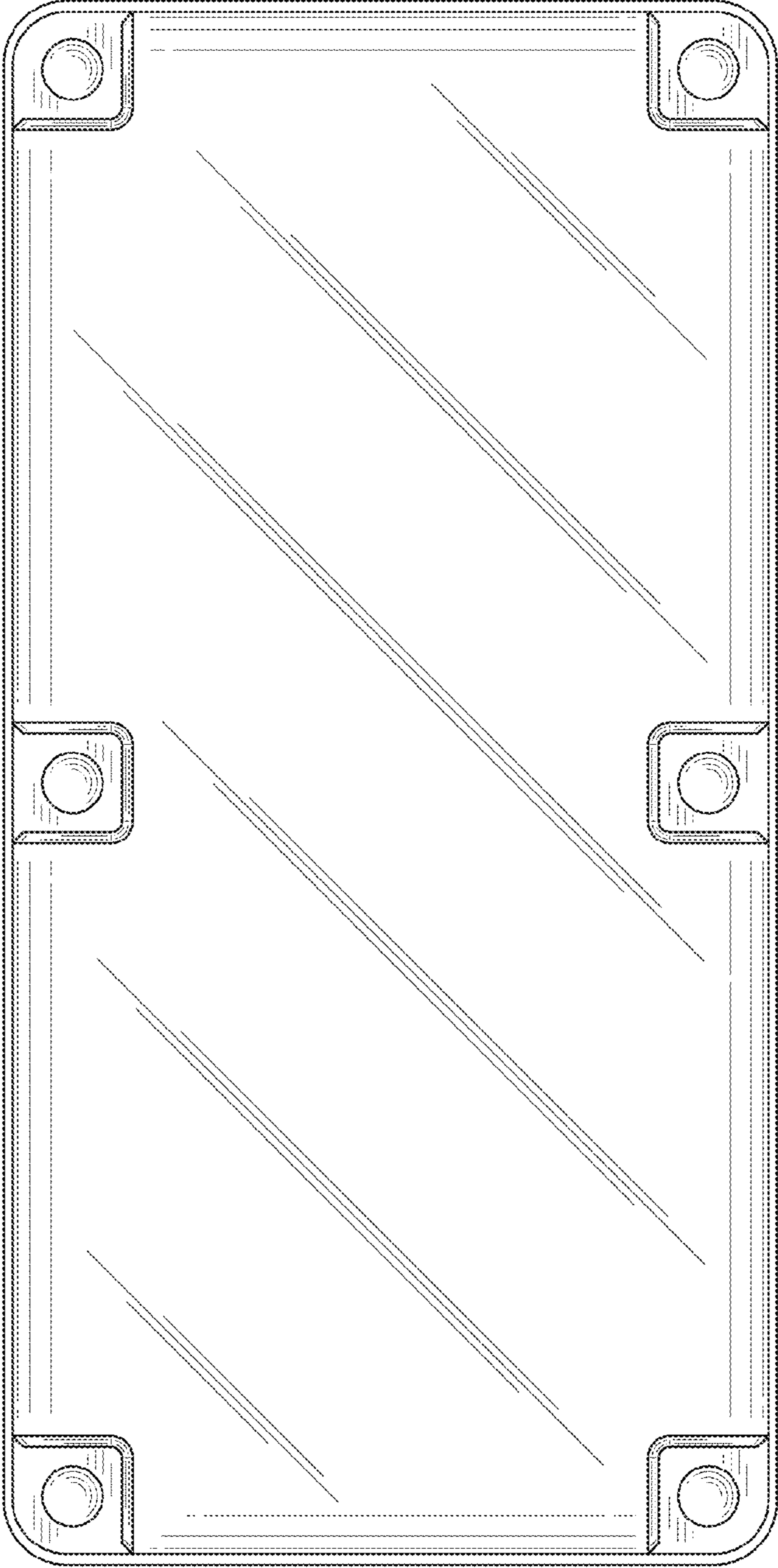
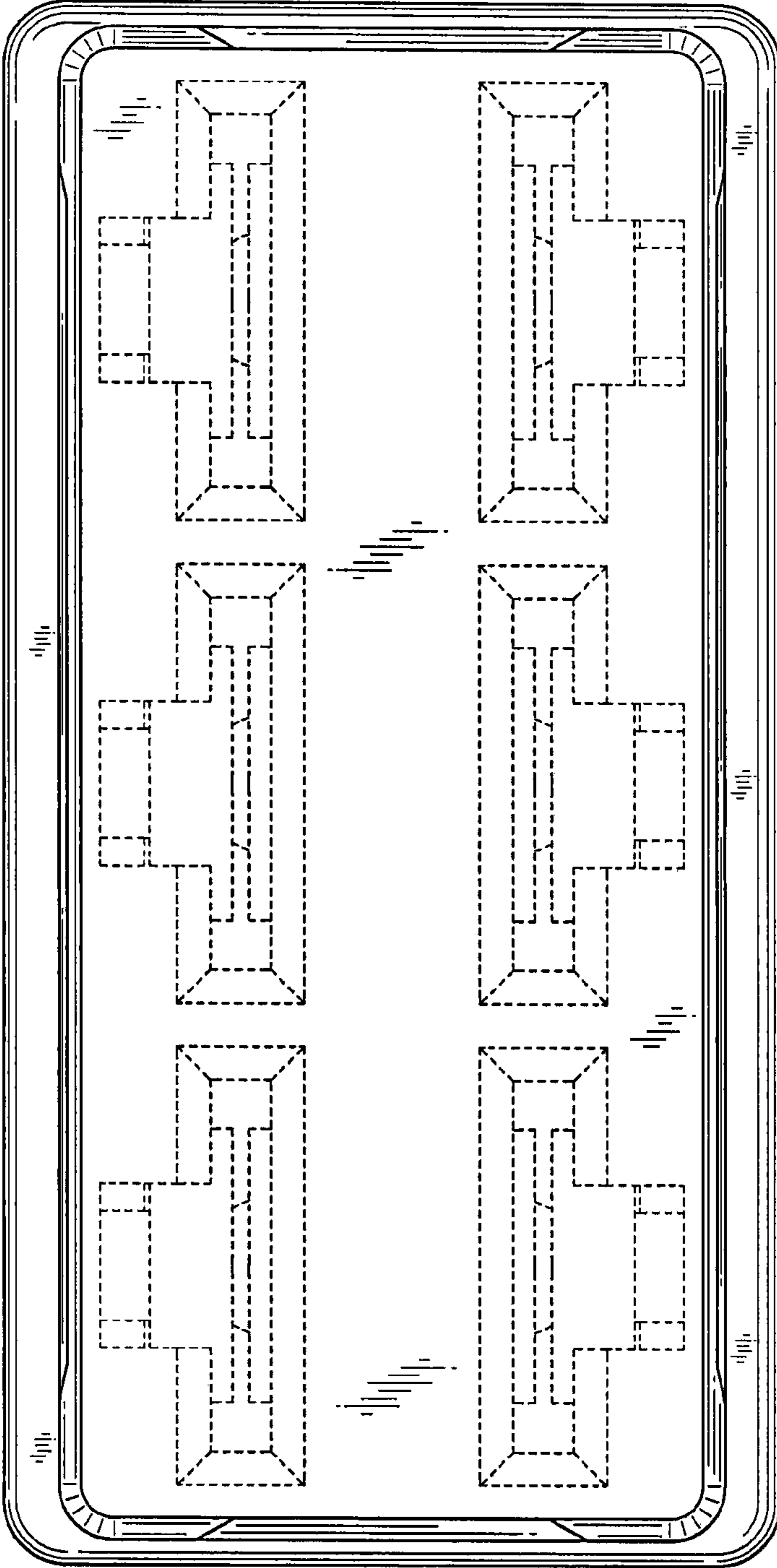


Fig. 3

Fig. 4



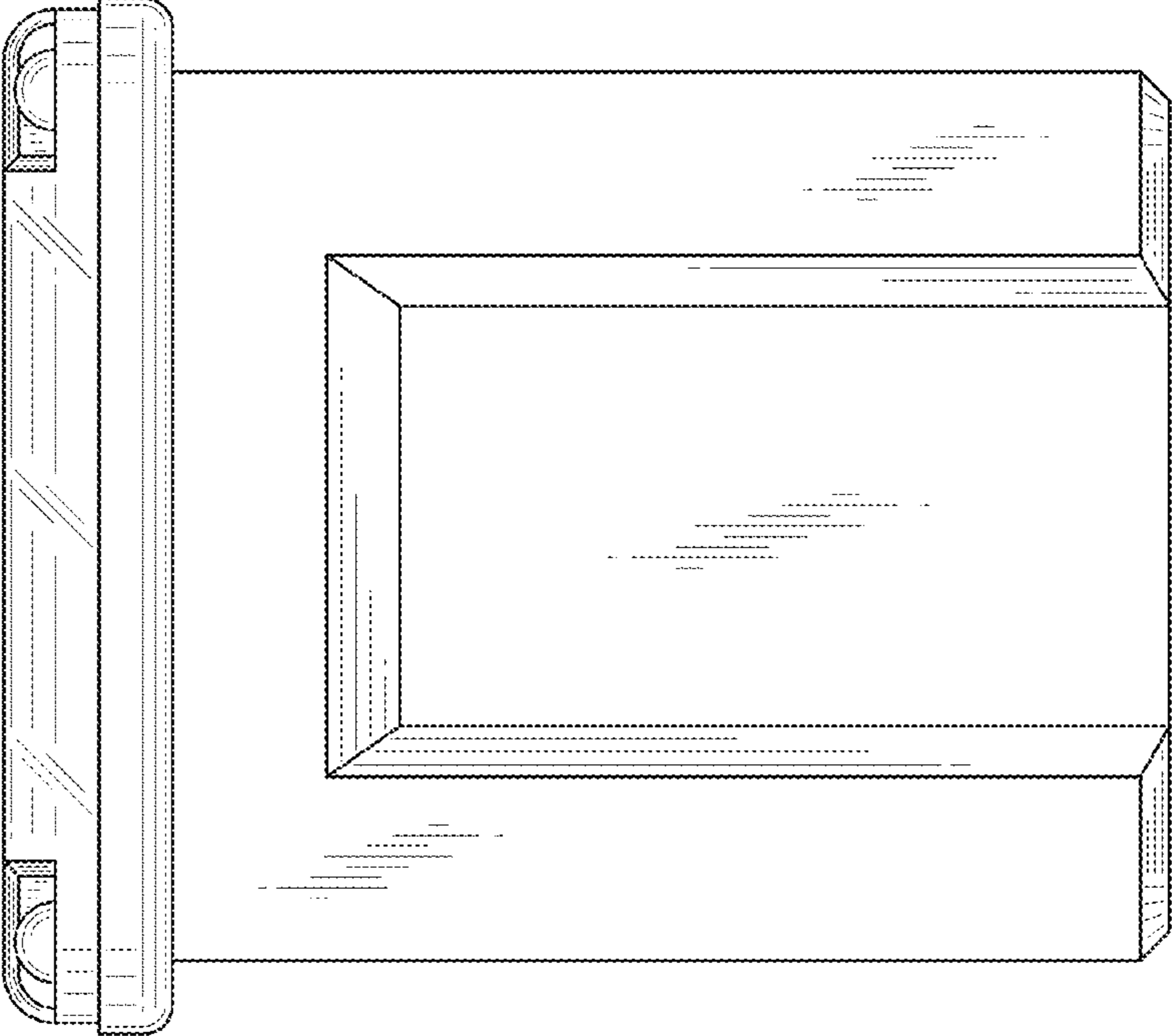


Fig. 5