



US00D730298S

(12) **United States Design Patent**
Mongold et al.

(10) **Patent No.:** **US D730,298 S**
(45) **Date of Patent:** **** May 26, 2015**

(54) **ELECTRICAL CONNECTOR**

(71) Applicant: **Samtec, Inc.**, New Albany, IN (US)

(72) Inventors: **John Allen Mongold**, Todd, PA (US);
Randall Eugene Musser, Enola, PA (US)

(73) Assignee: **Samtec, Inc.**, New Albany, IN (US)

(**) Term: **14 Years**

(21) Appl. No.: **29/489,739**

(22) Filed: **May 2, 2014**

(51) **LOC (10) Cl.** **13-03**

(52) **U.S. Cl.**
USPC **D13/147**

(58) **Field of Classification Search**
USPC D13/146, 147, 154, 184, 199
See application file for complete search history.

(56) **References Cited**

U.S. PATENT DOCUMENTS

D404,360 S * 1/1999 Brorsson et al. D13/147
D488,445 S * 4/2004 Kawase et al. D13/147

(Continued)

Primary Examiner — Daniel Bui

(74) *Attorney, Agent, or Firm* — Keating & Bennett, LLP

(57) **CLAIM**

The ornamental designs for an electrical connector, as shown and described.

DESCRIPTION

FIG. 1 is a top, front, and right side perspective view of the first embodiment of an electrical connector showing our new design;

FIG. 2 is a bottom, back, and left side perspective view thereof;

FIG. 3 is a front perspective view thereof;

FIG. 4 is a right side elevation view thereof;

FIG. 5 is a top plan view thereof;

FIG. 6 is a left side elevation view thereof;

FIG. 7 is a front elevation view thereof;

FIG. 8 is a bottom plan view thereof;

FIG. 9 is a back elevation view thereof;

FIG. 10 is a top, front, and right side perspective view of the second embodiment of an electrical connector showing our new design;

FIG. 11 is a bottom, back, and left side perspective view thereof;

FIG. 12 is a front perspective view thereof;

FIG. 13 is a right side elevation view thereof;

FIG. 14 is a top plan view thereof;

FIG. 15 is a left side elevation view thereof;

FIG. 16 is a front elevation view thereof;

FIG. 17 is a bottom plan view thereof;

FIG. 18 is a back elevation view thereof;

FIG. 19 is a top, front, and right side perspective view of the third embodiment of an electrical connector showing our new design;

FIG. 20 is a bottom, back, and left side perspective view thereof;

FIG. 21 is a front perspective view thereof;

FIG. 22 is a right side elevation view thereof;

FIG. 23 is a top plan view thereof;

FIG. 24 is a left side elevation view thereof;

FIG. 25 is a front elevation view thereof;

FIG. 26 is a bottom plan view thereof;

FIG. 27 is a back elevation view thereof;

FIG. 28 is a top, front, and right side perspective view of the fourth embodiment of an electrical connector showing our new design;

FIG. 29 is a bottom, back, and left side perspective view thereof;

FIG. 30 is a front perspective view thereof;

FIG. 31 is a right side elevation view thereof;

FIG. 32 is a top plan view thereof;

FIG. 33 is a left side elevation view thereof;

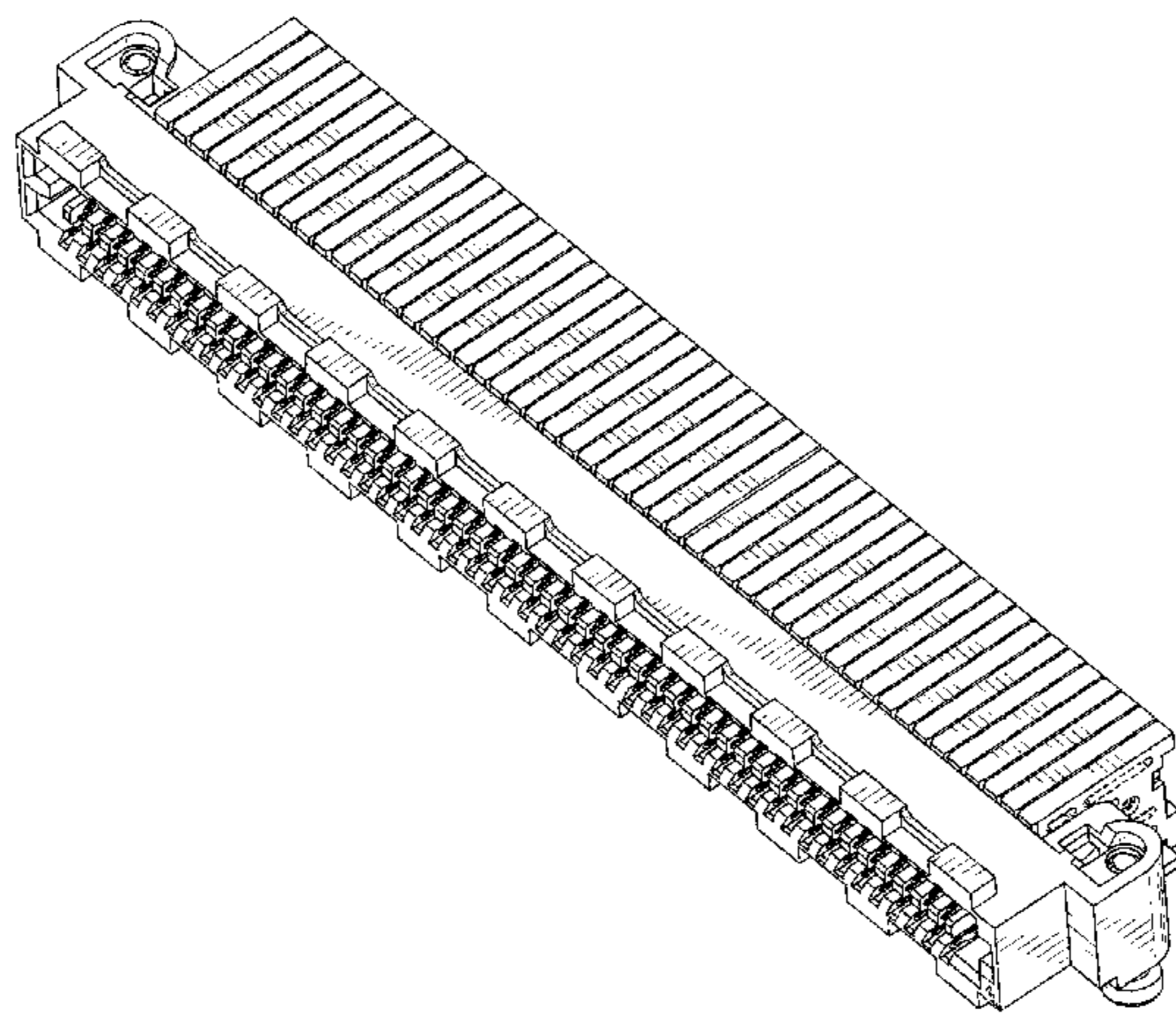
FIG. 34 is a front elevation view thereof;

FIG. 35 is a bottom plan view thereof; and,

FIG. 36 is a back elevation view thereof.

The broken line in the drawing views is included to show unclaimed subject matter only and forms no part of the claimed design.

1 Claim, 36 Drawing Sheets



US D730,298 S

Page 2

(56)

References Cited

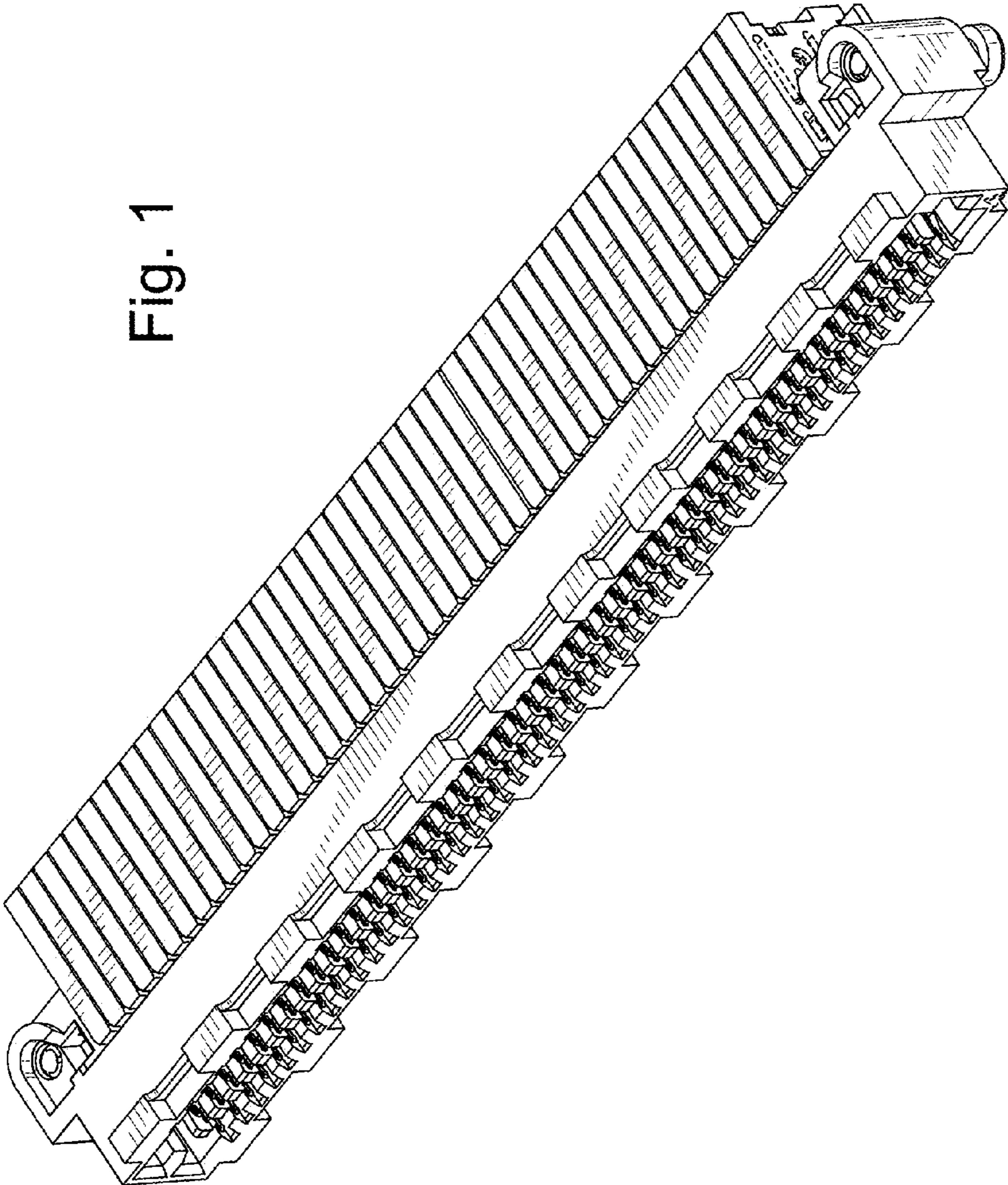
U.S. PATENT DOCUMENTS

D583,765 S * 12/2008 Chiang D13/147
7,479,017 B1 * 1/2009 Koopman et al. 439/67
D610,546 S * 2/2010 Honda et al. D13/147

D610,995 S * 3/2010 Honda et al. D13/147
D703,143 S * 4/2014 Yamaguchi D13/147
D709,036 S * 7/2014 McCartin et al. D13/147

* cited by examiner

Fig. 1



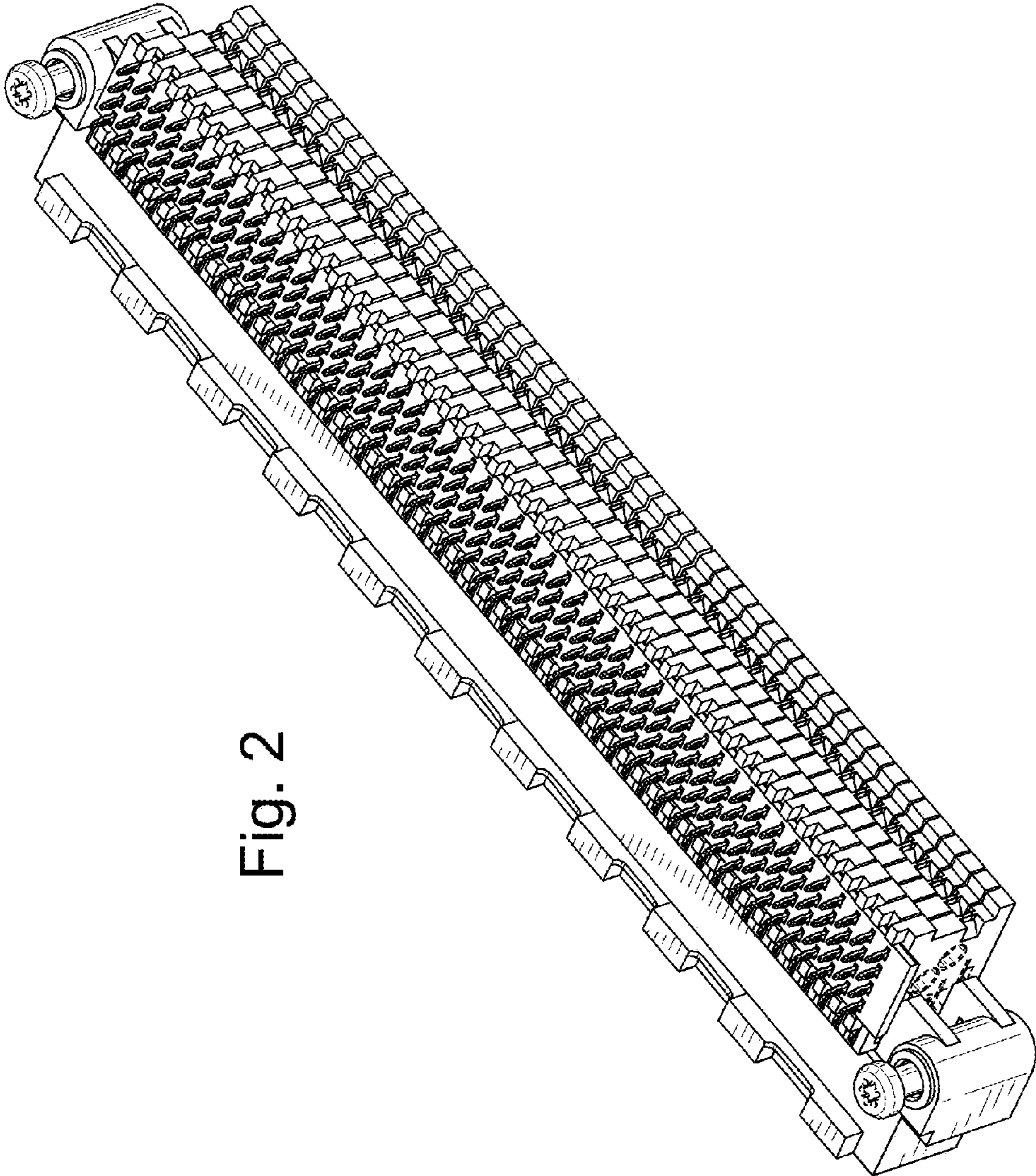


Fig. 2

Fig. 3

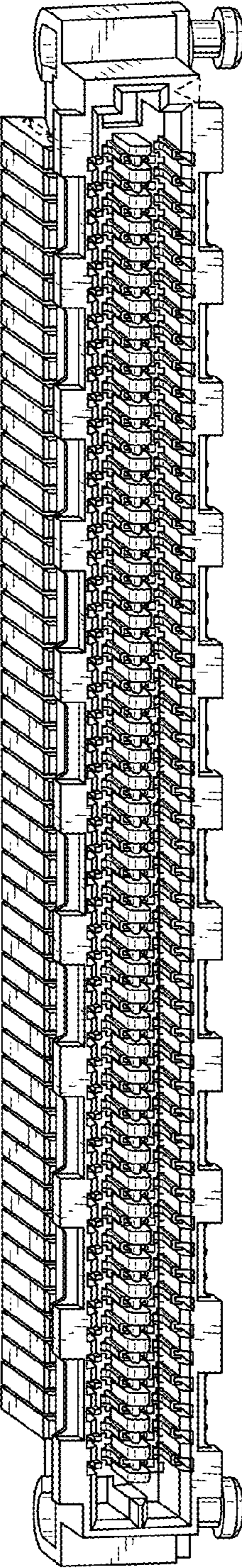


Fig. 4

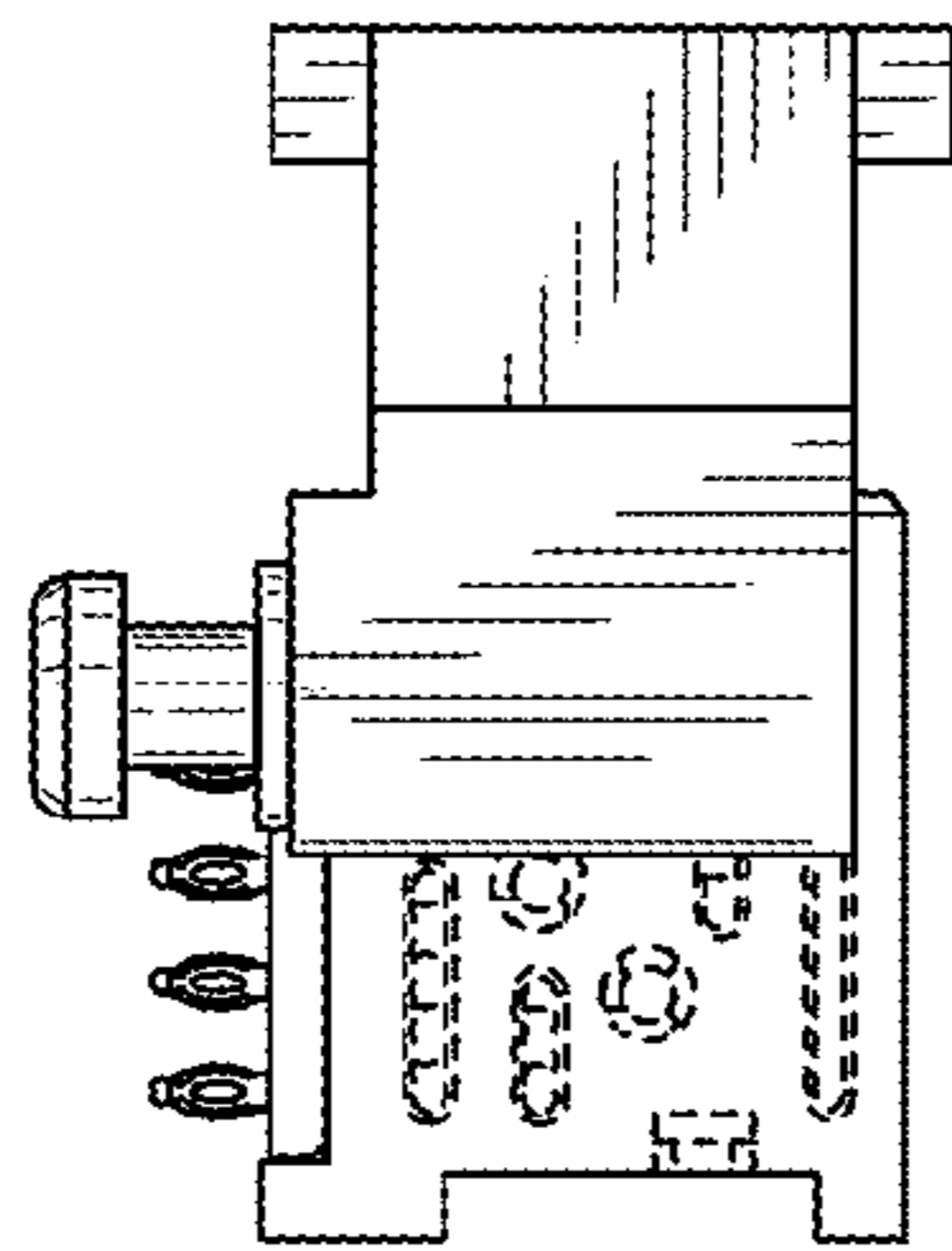


Fig. 5

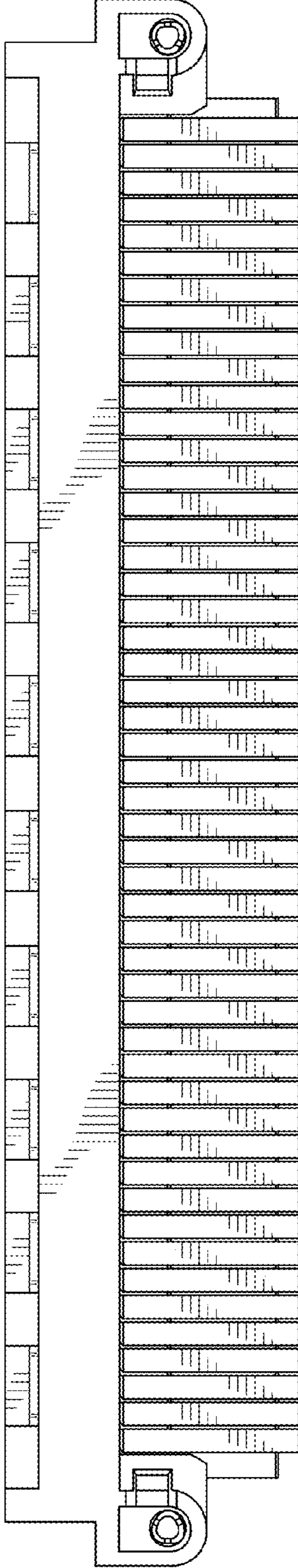


Fig. 6

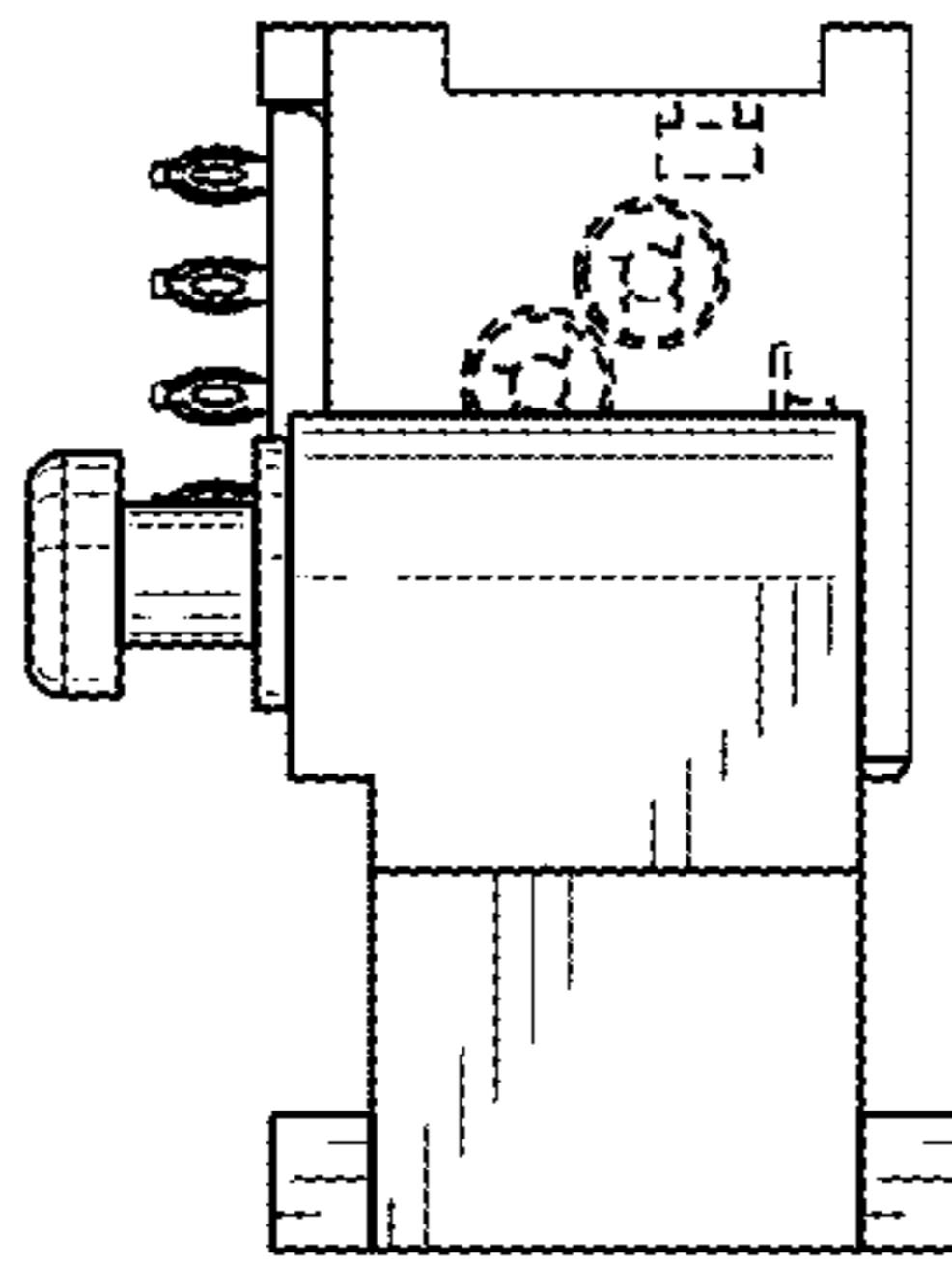


Fig. 7

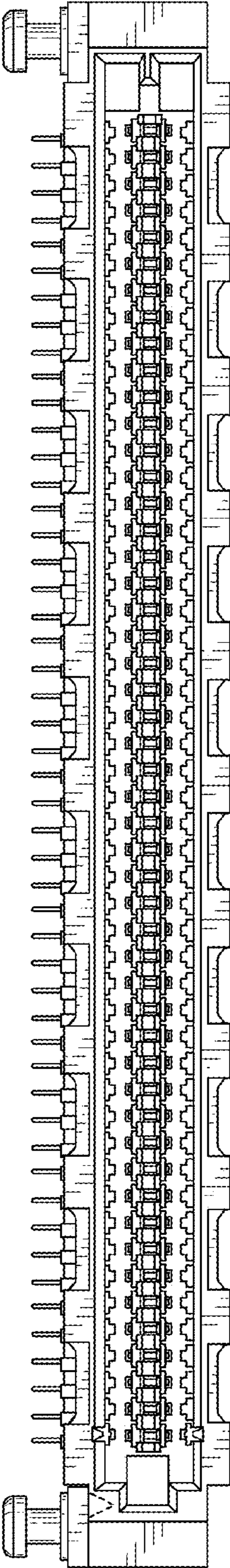


Fig. 8

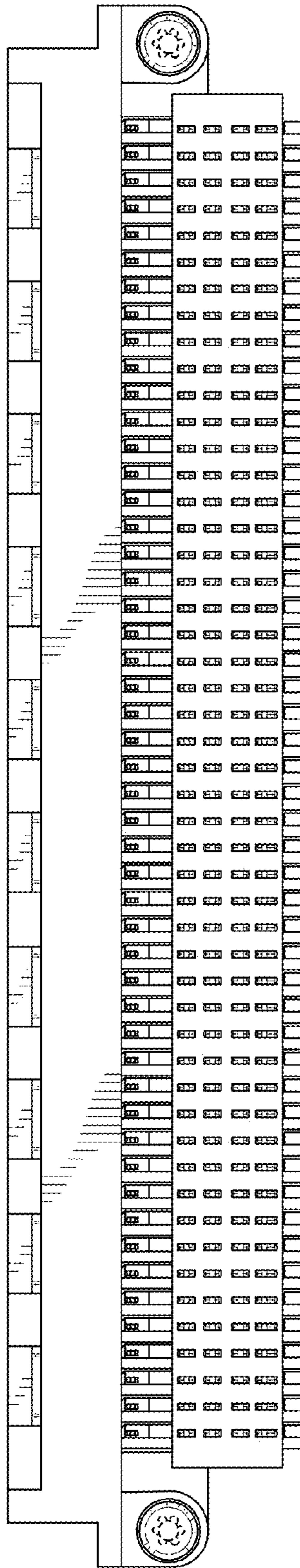
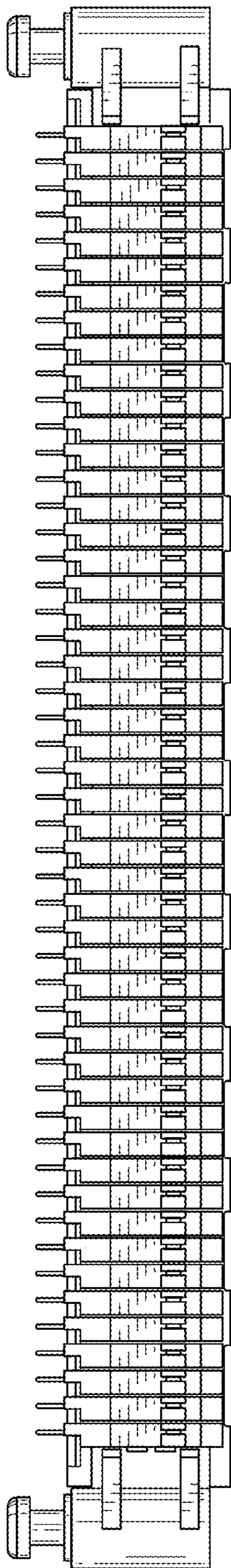


Fig. 9



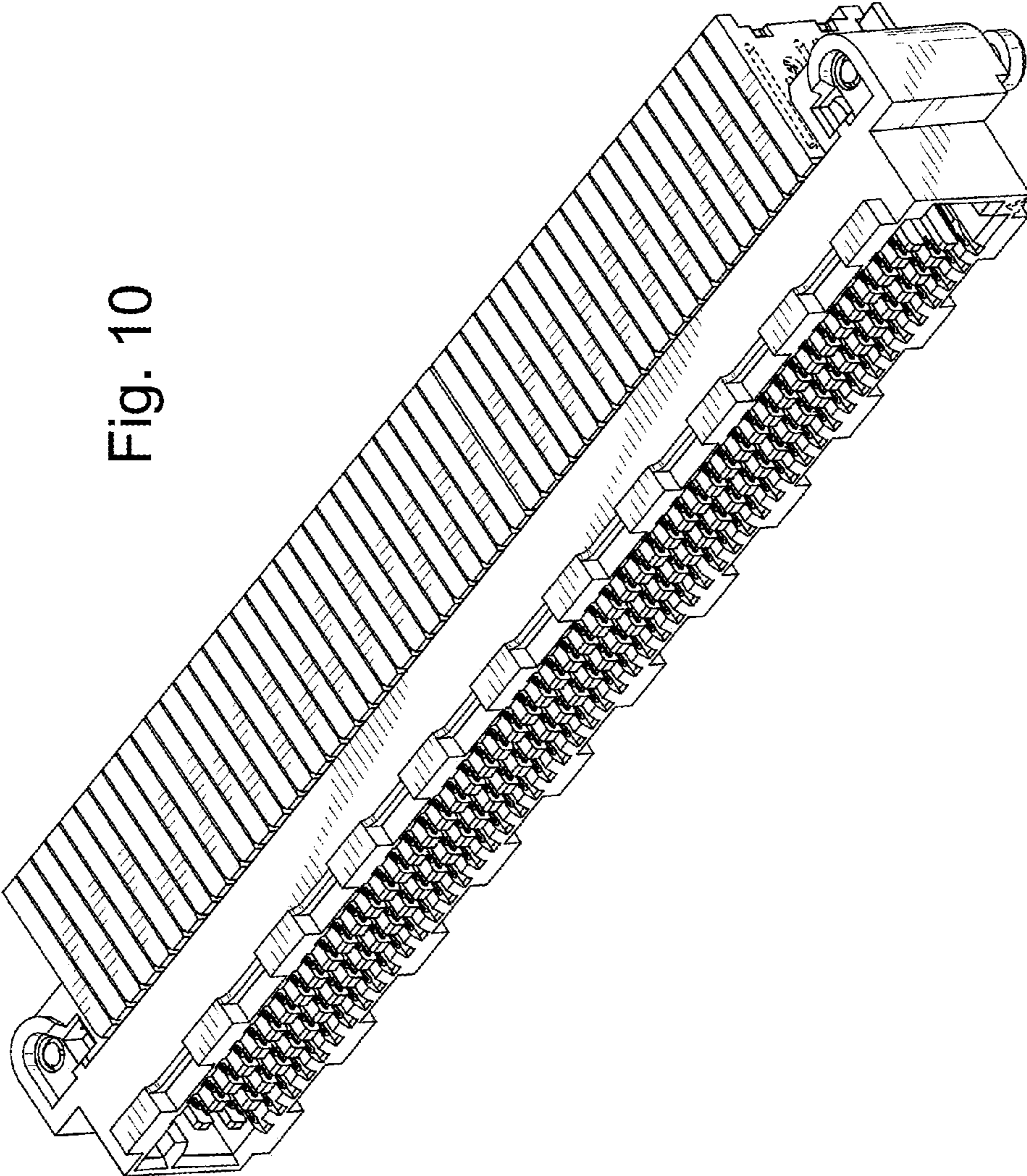


Fig. 10

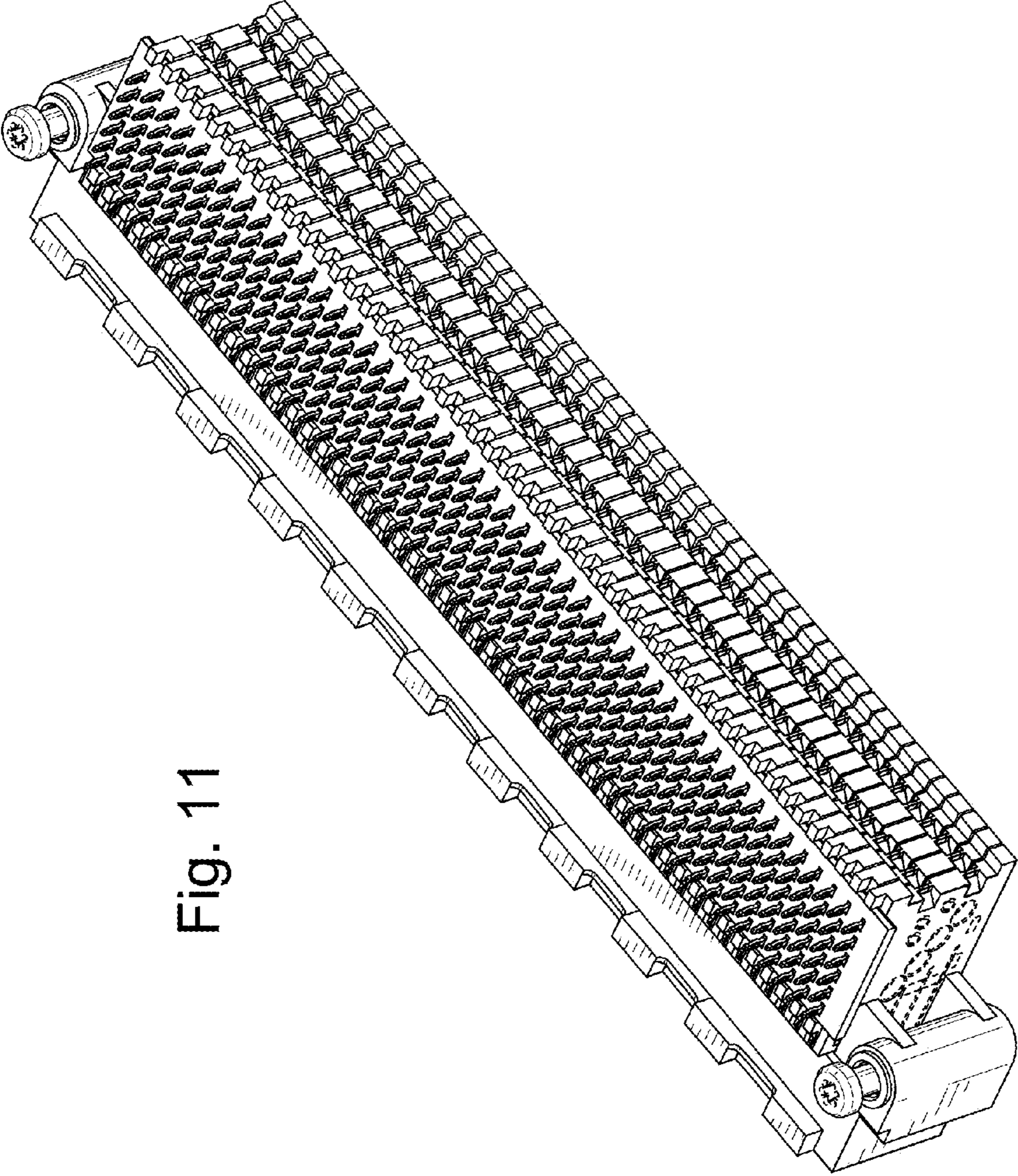


Fig. 11

Fig. 12

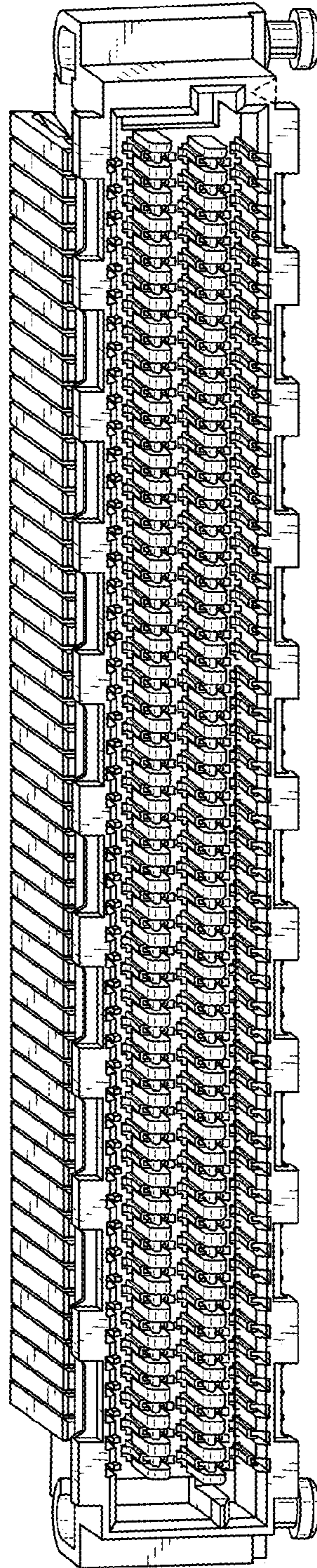


Fig. 13

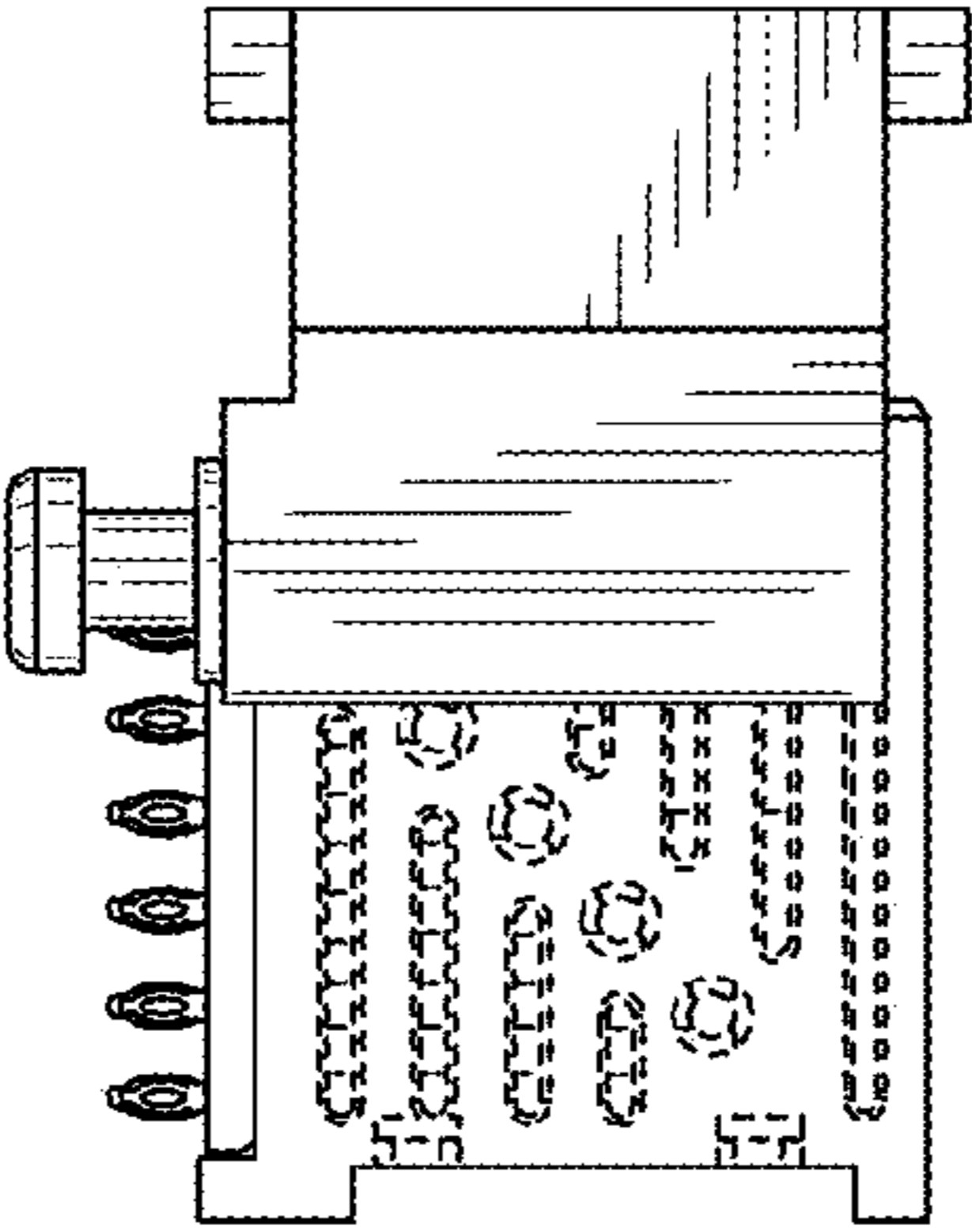


Fig. 14

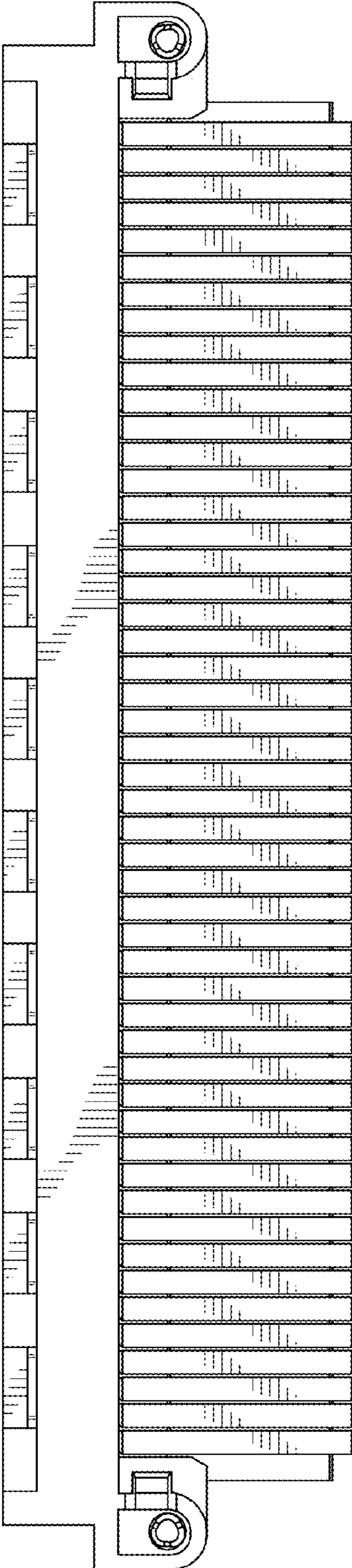


Fig. 15

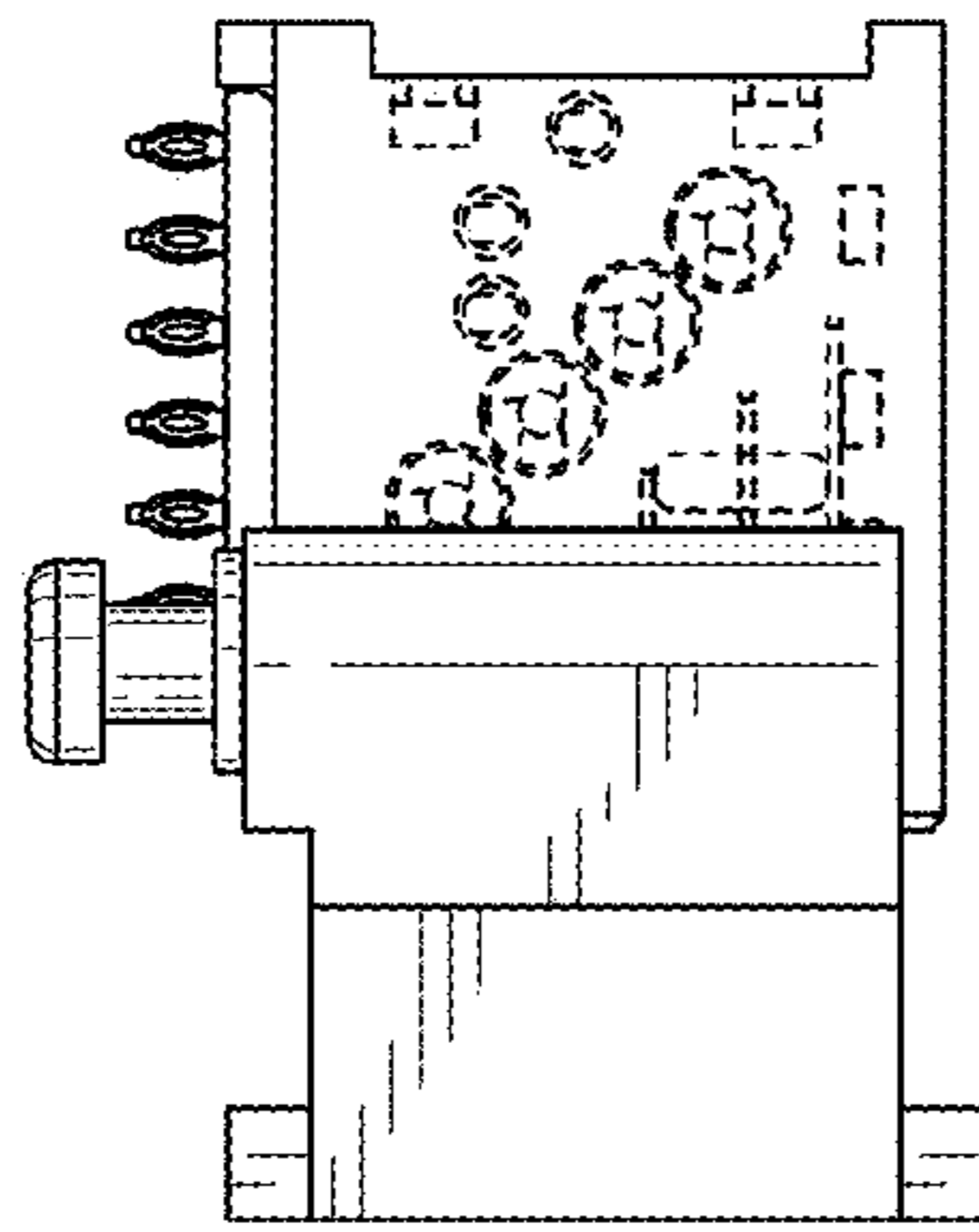


Fig. 16

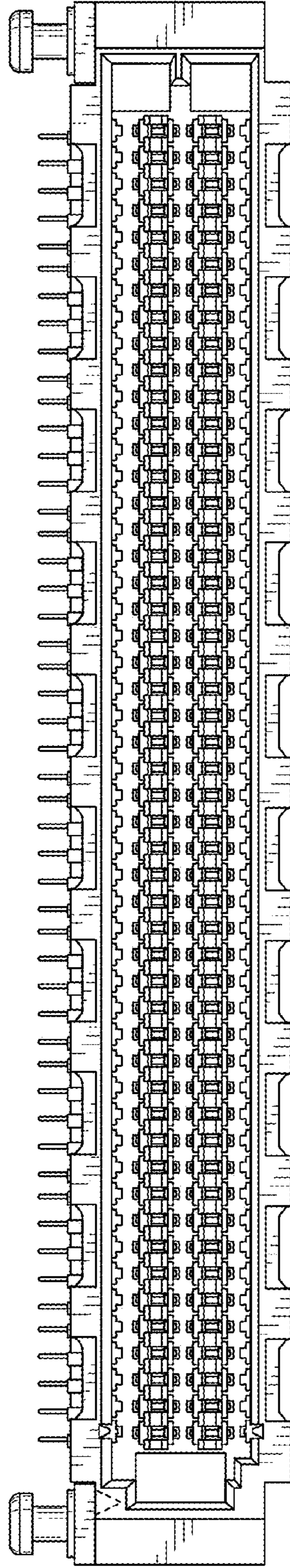
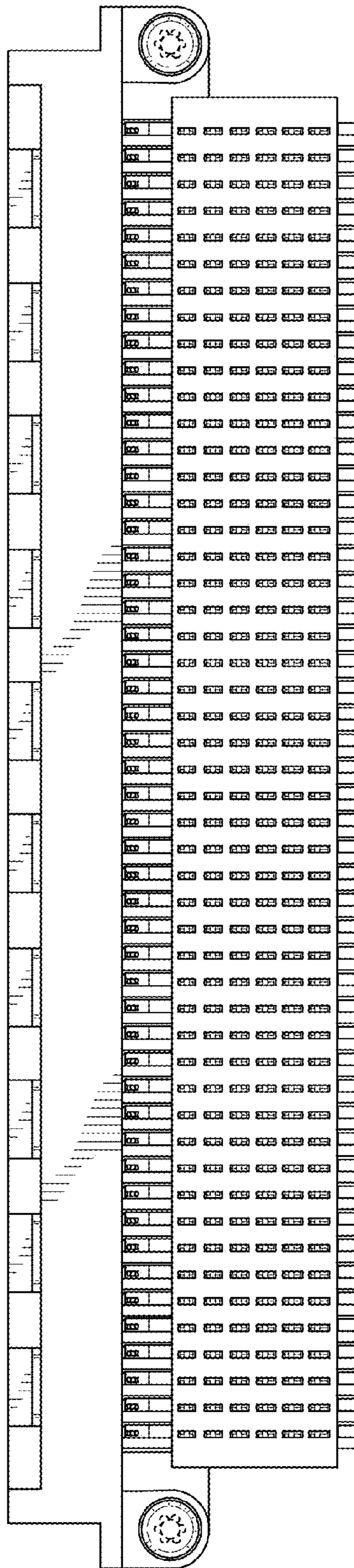


Fig. 17



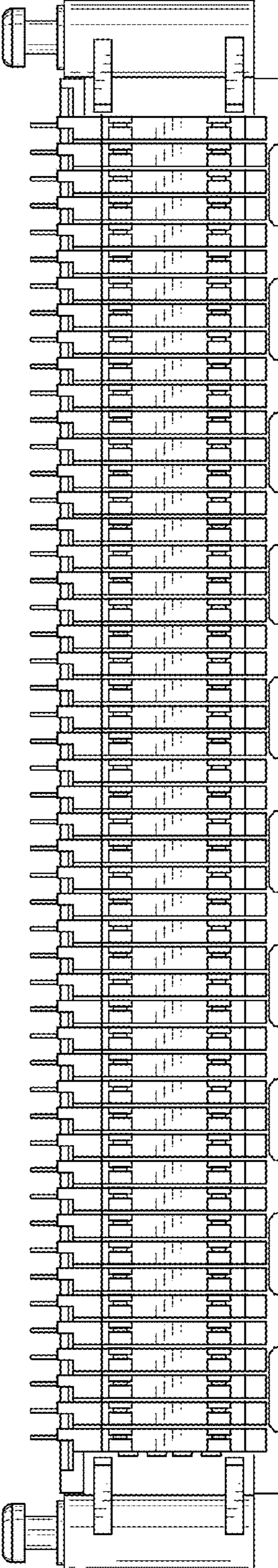
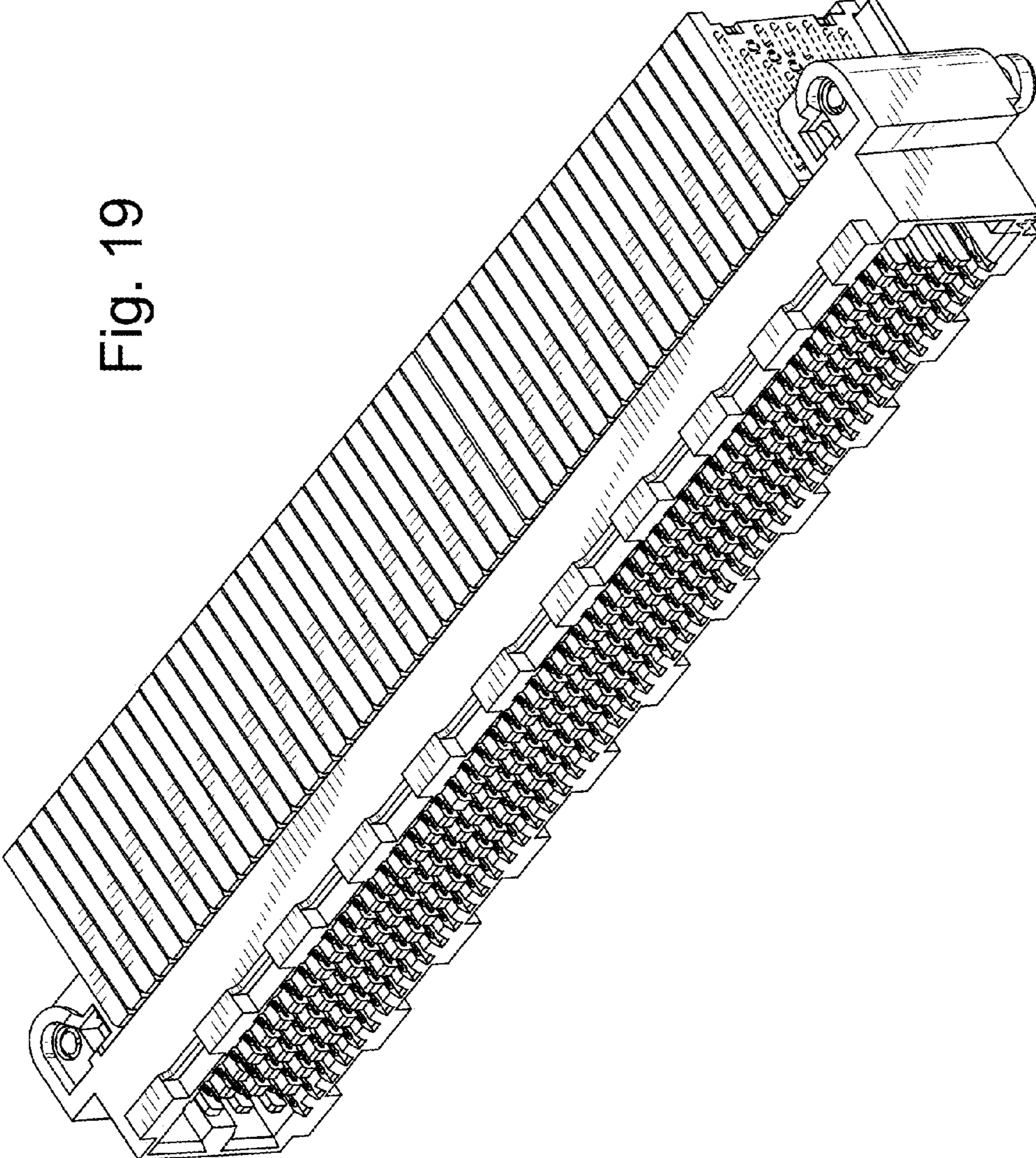


Fig. 18

Fig. 19



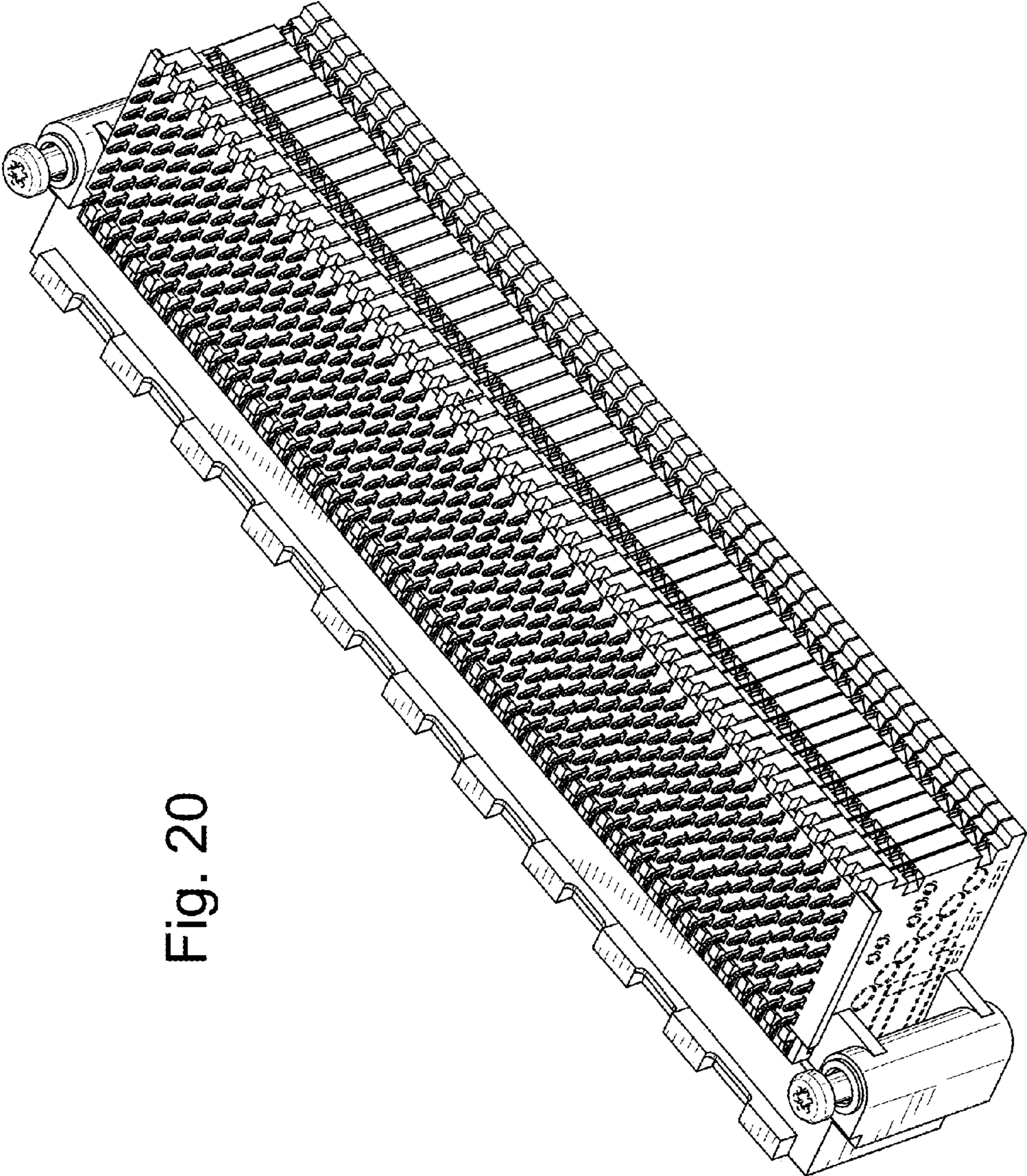


Fig. 20

Fig. 21

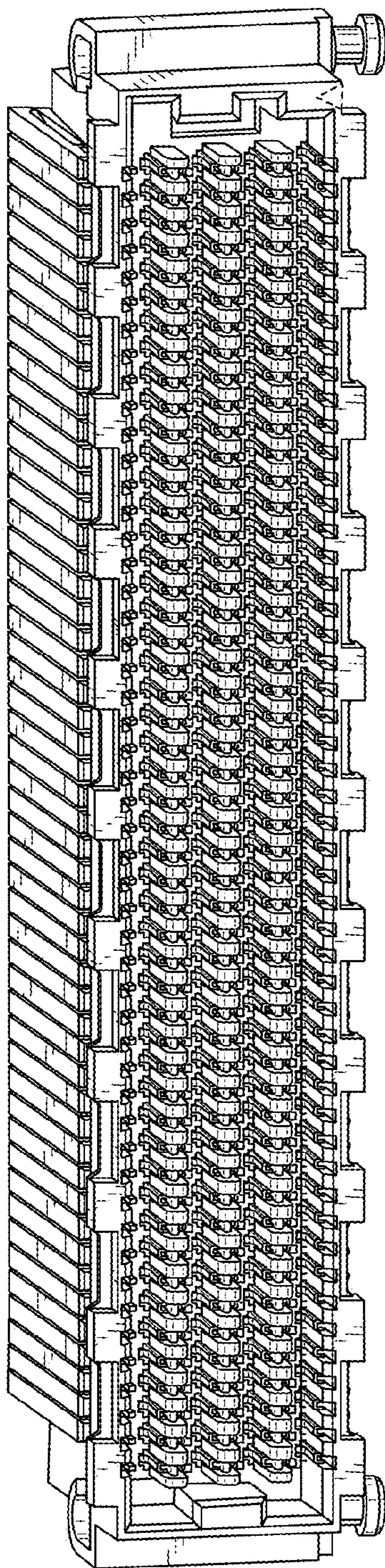


Fig. 22

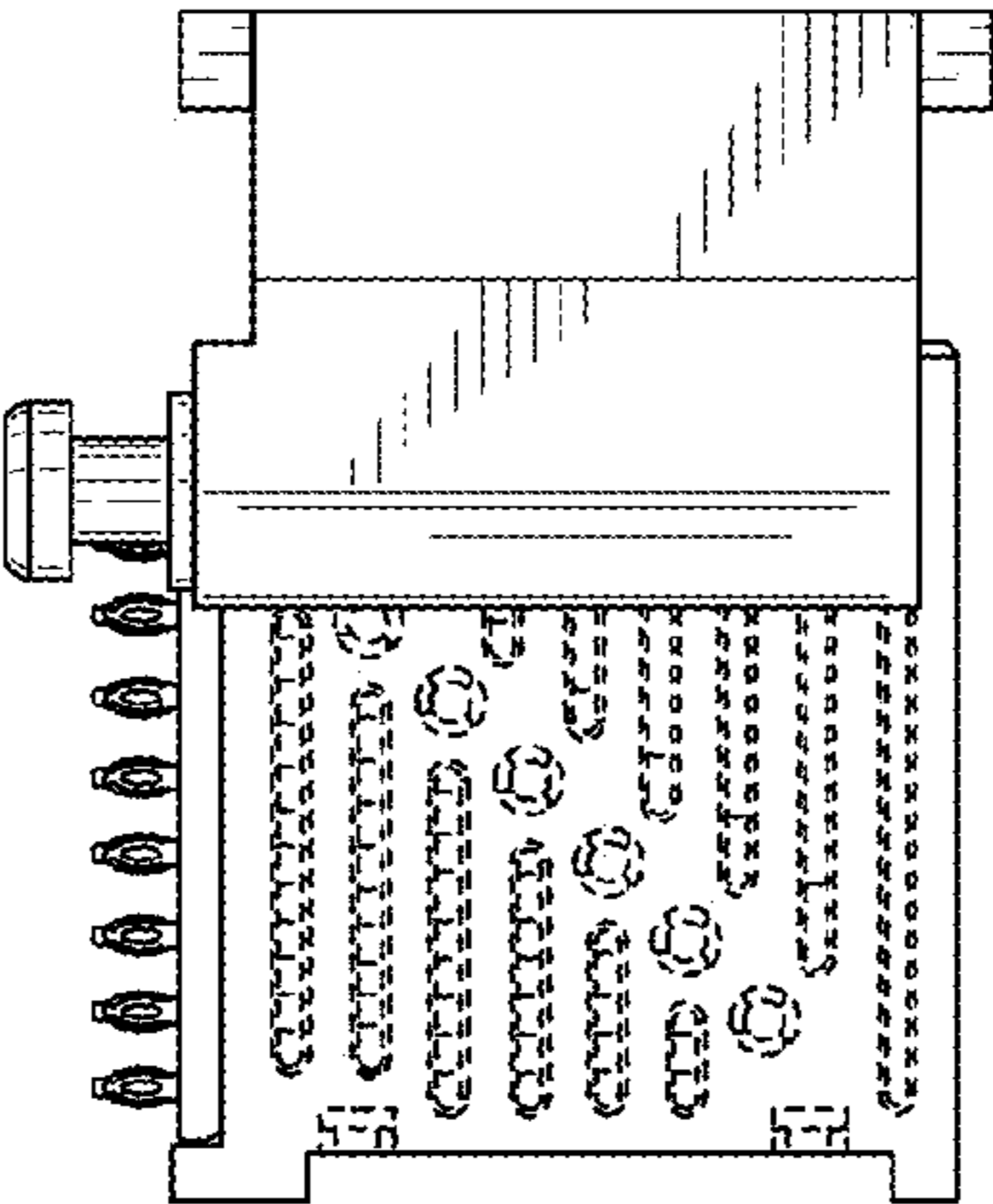


Fig. 23

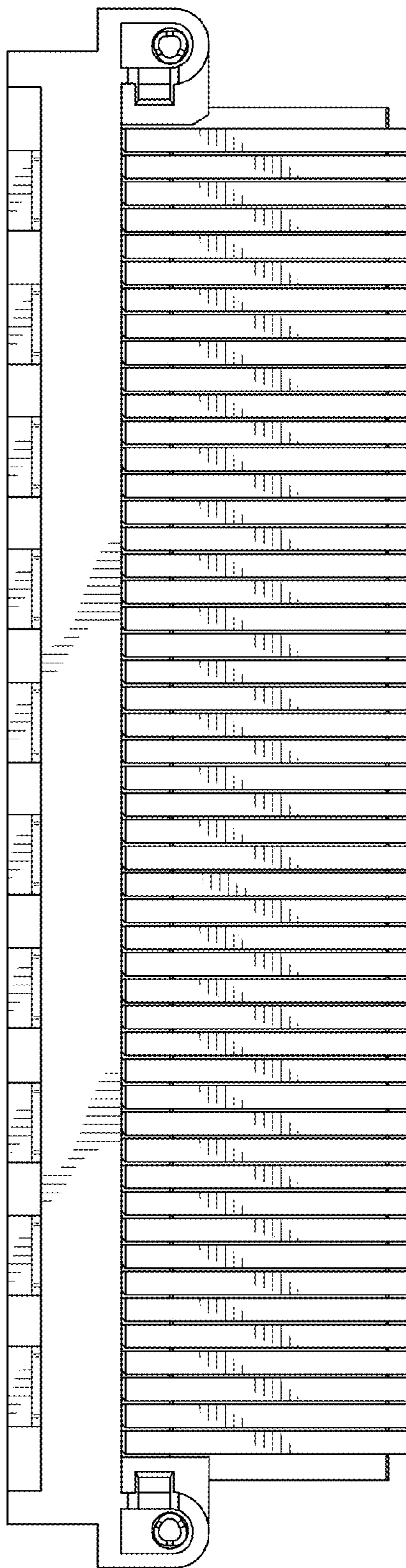


Fig. 24

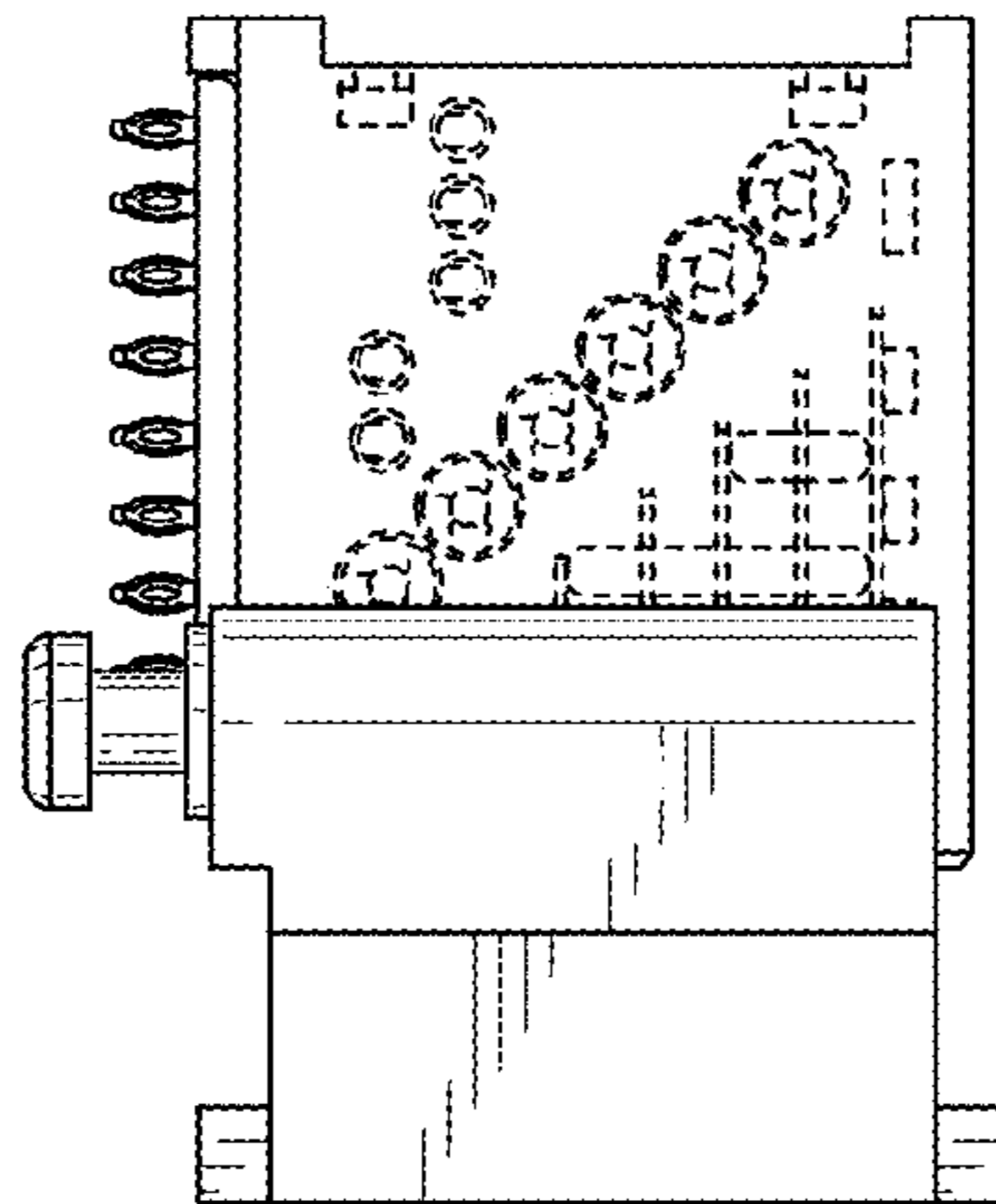


Fig. 25

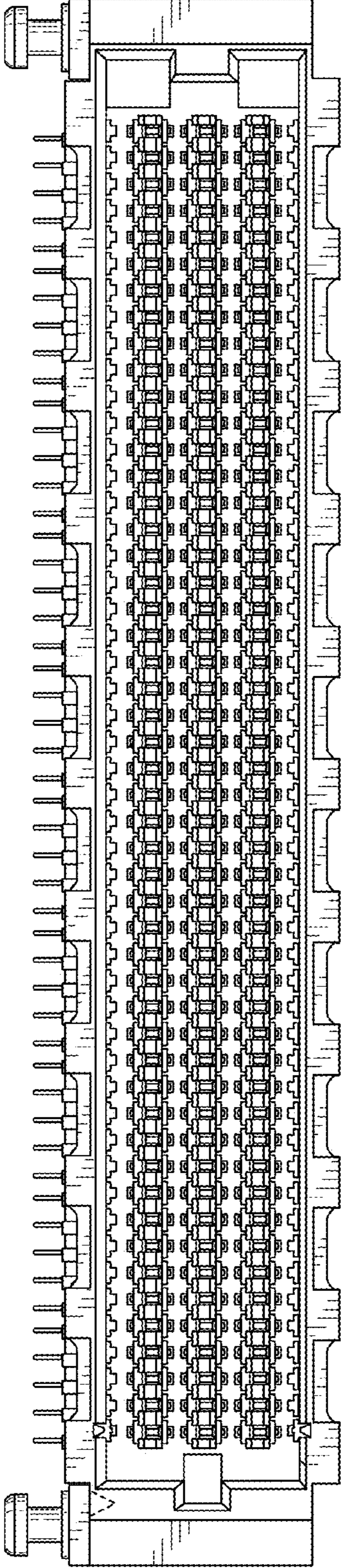


Fig. 26

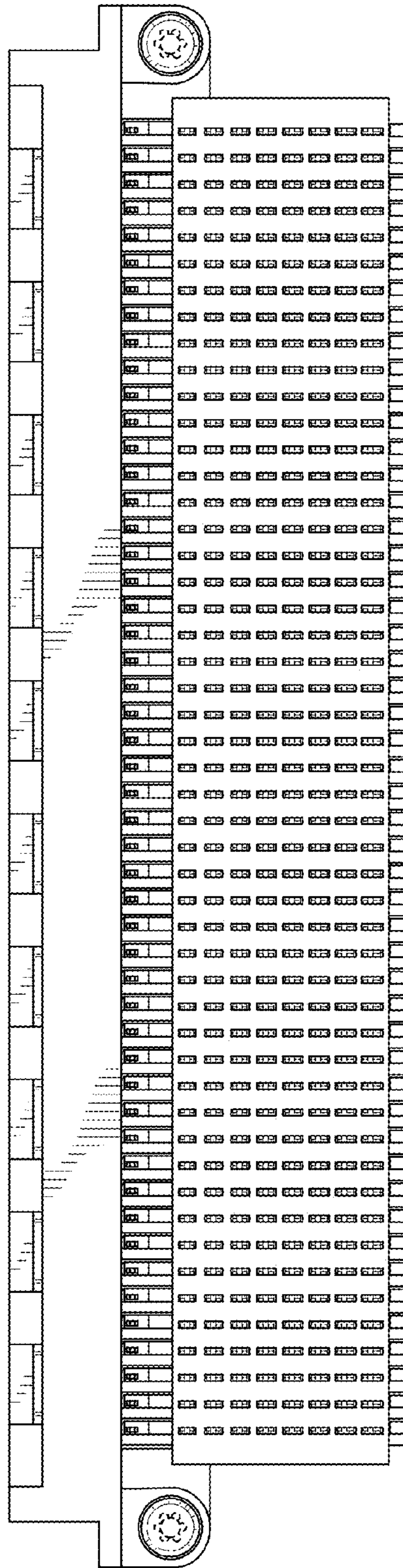


Fig. 27

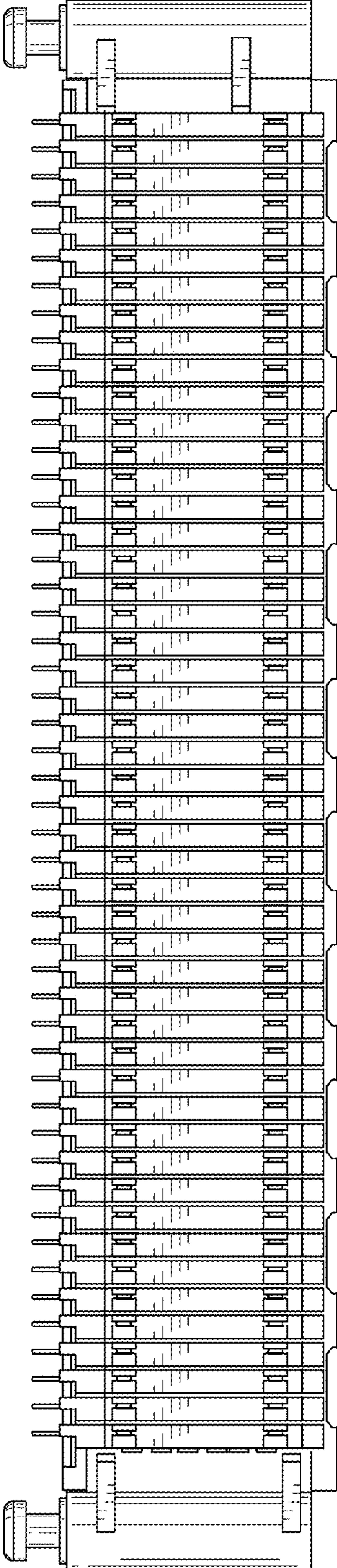
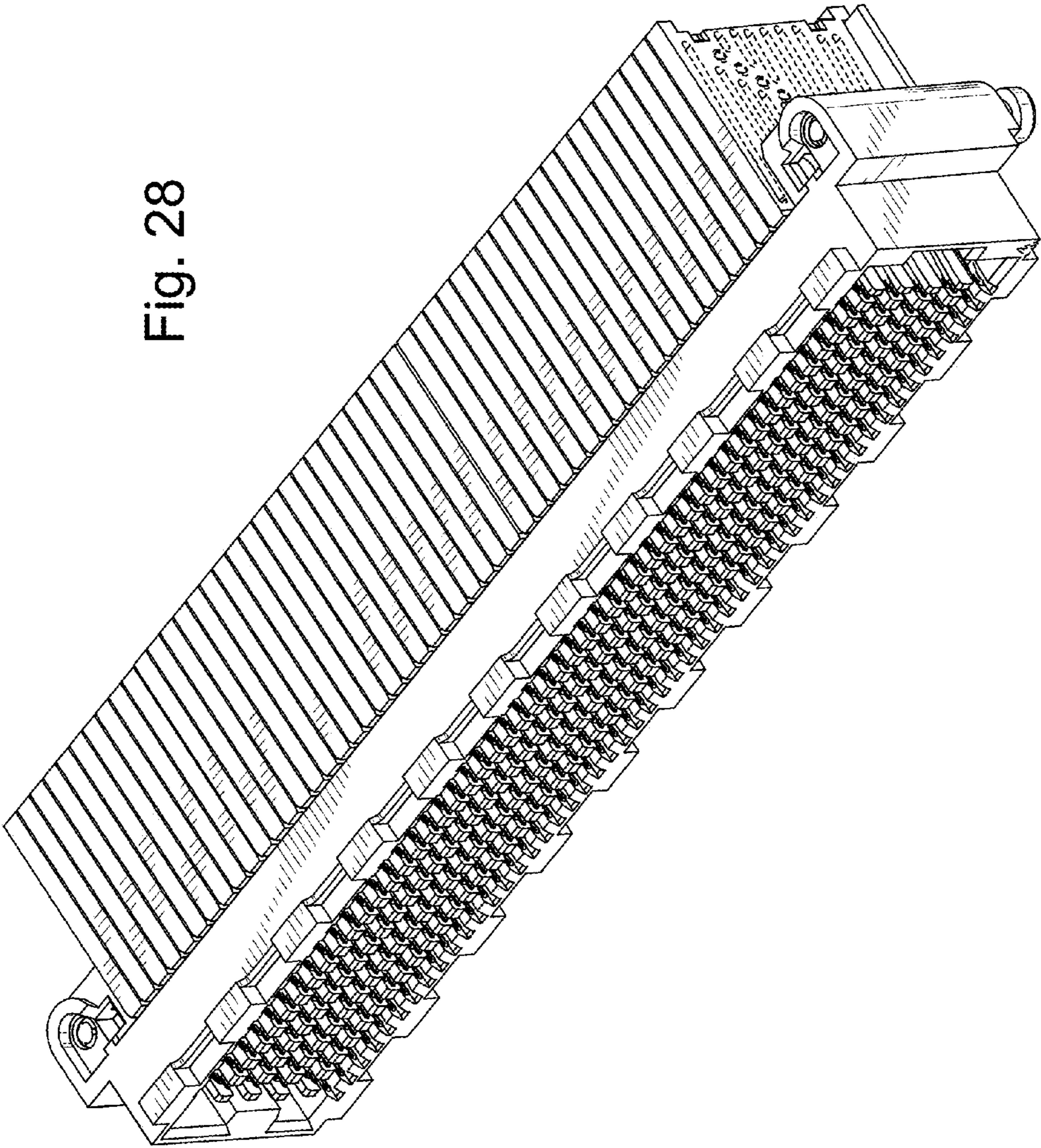


Fig. 28



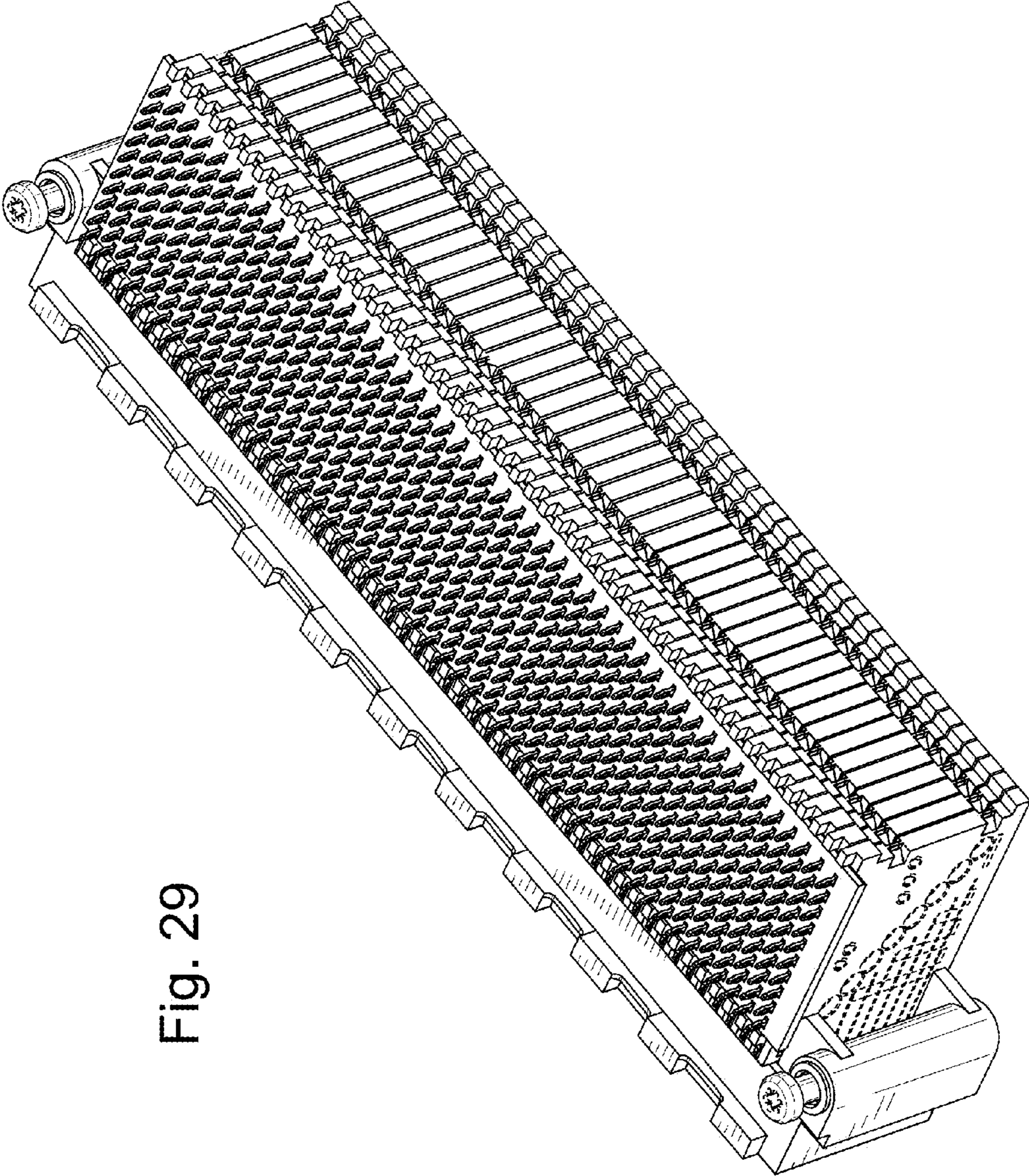


Fig. 29

Fig. 30

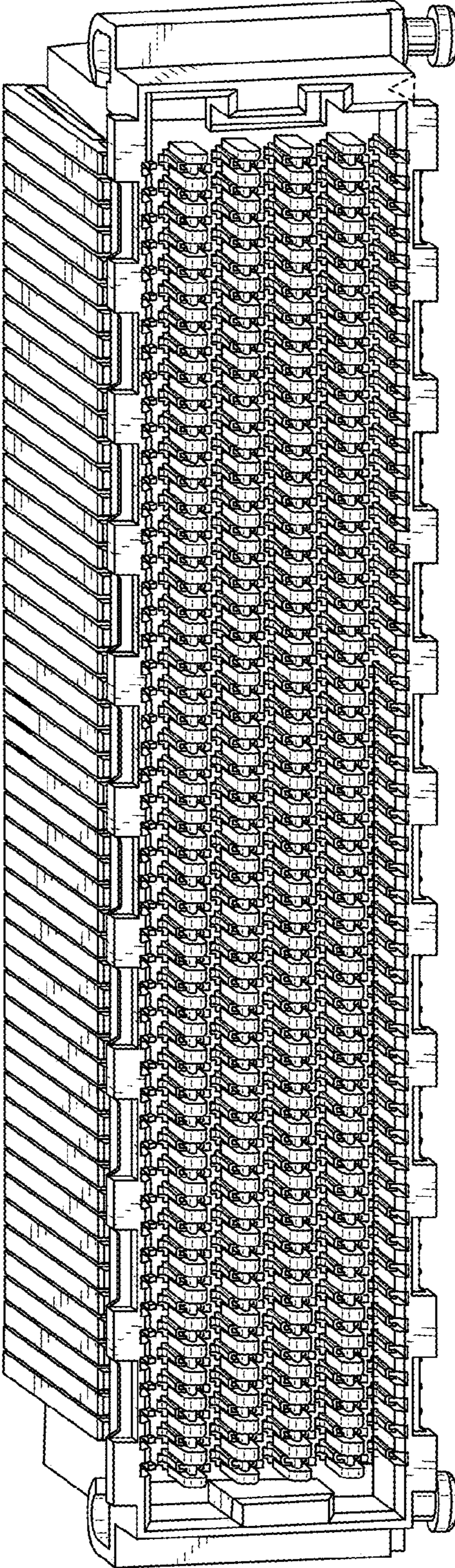


Fig. 31

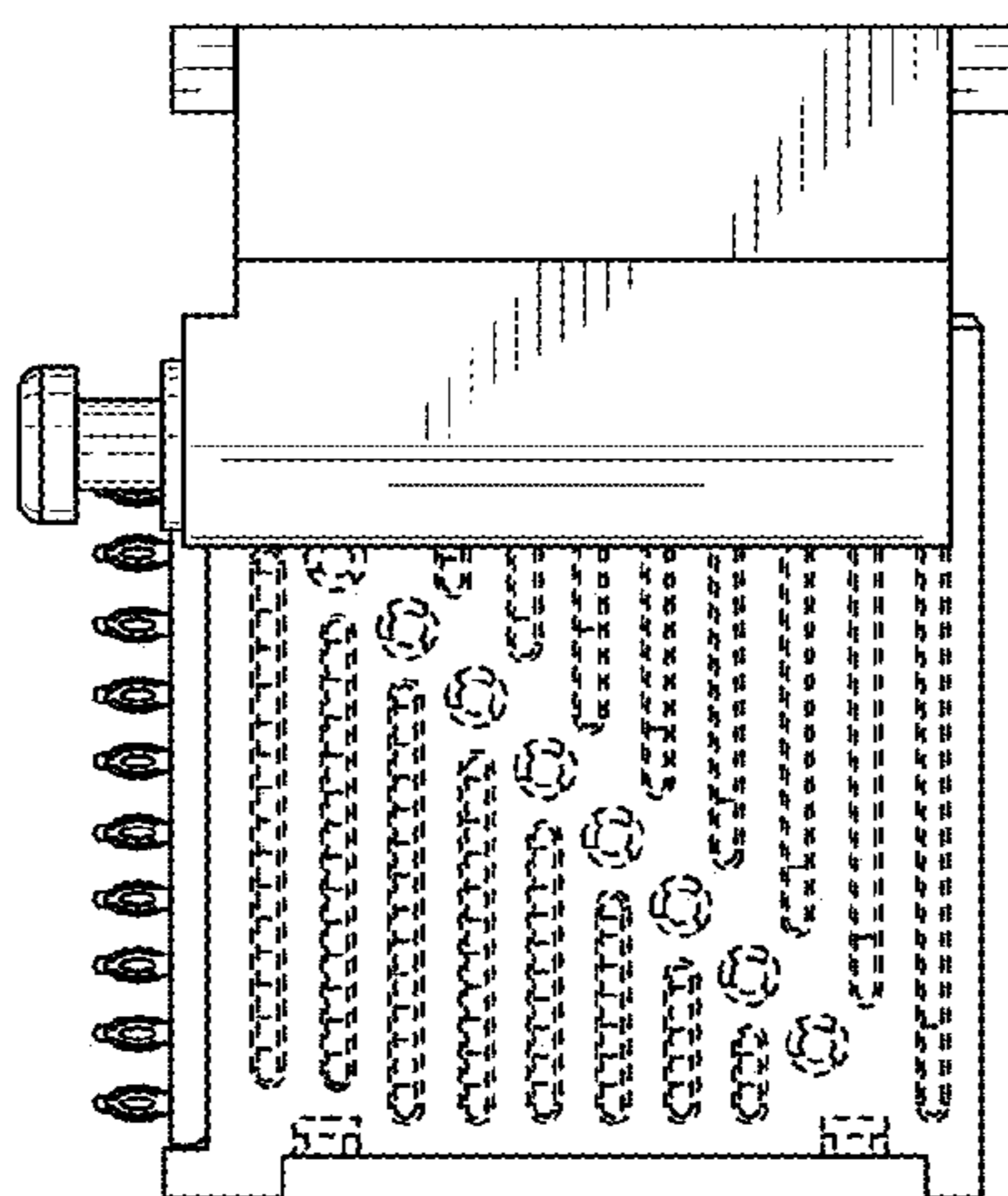


Fig. 32

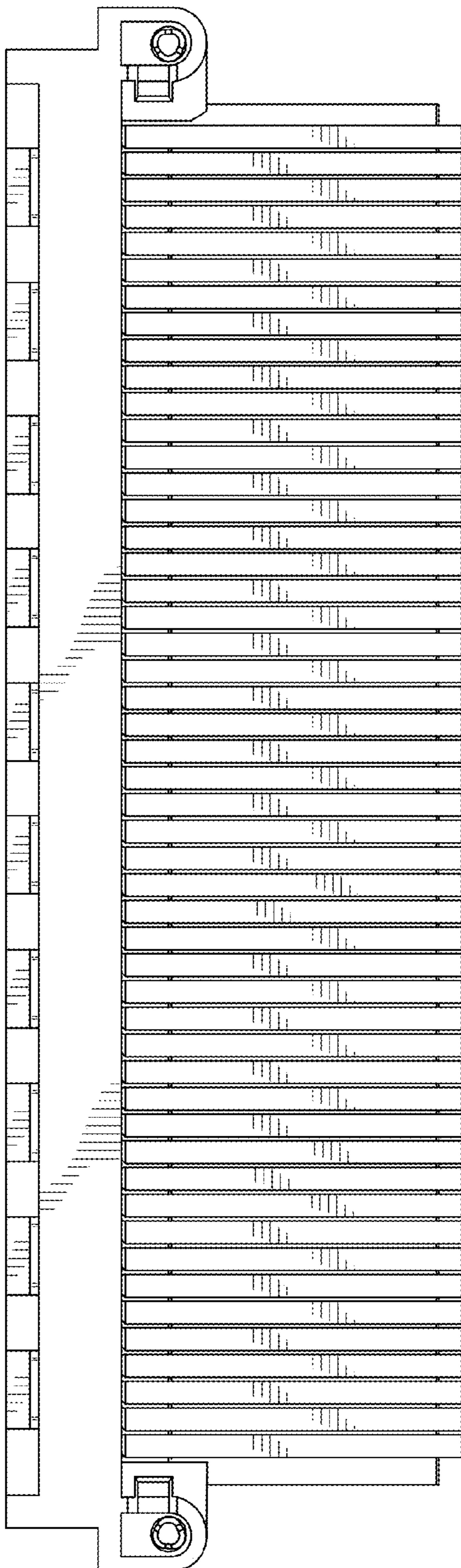


Fig. 33

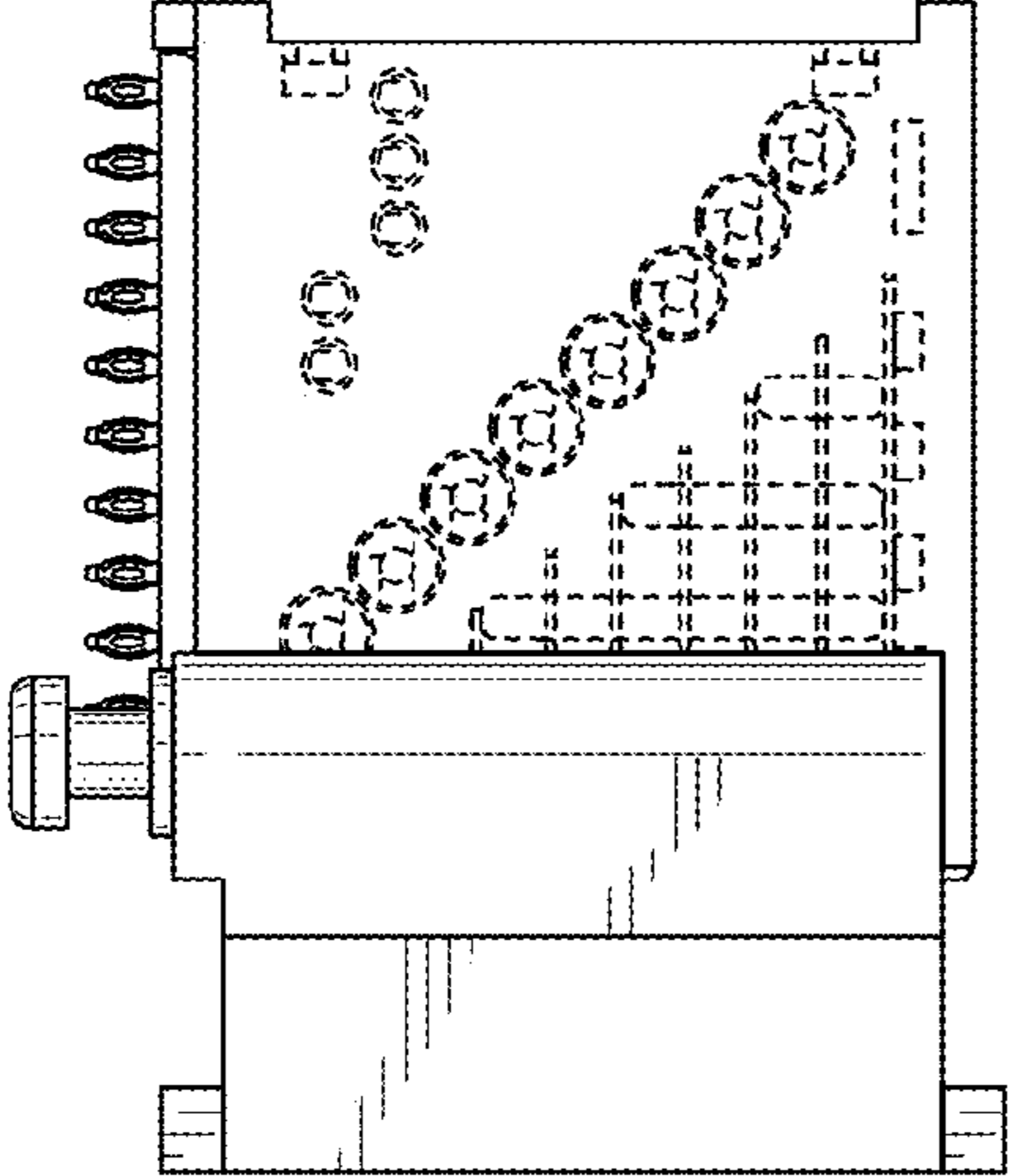


Fig. 34

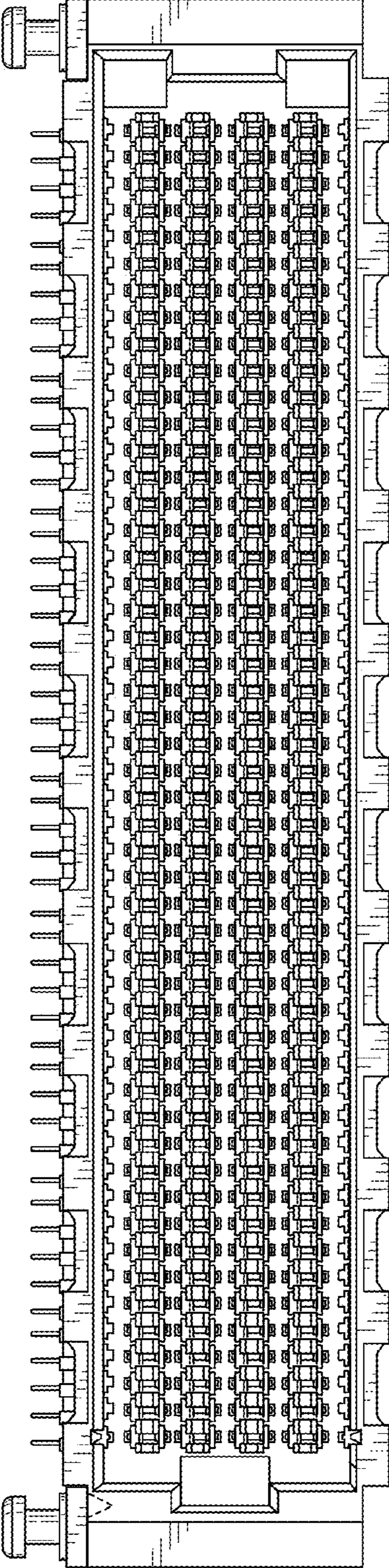


Fig. 35

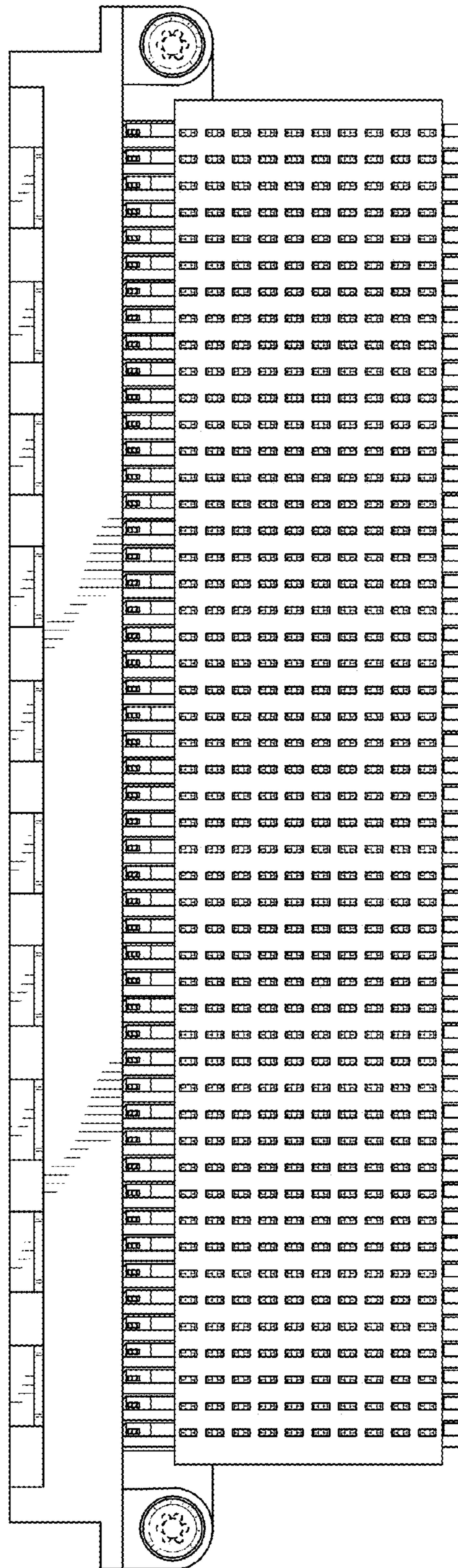


Fig. 36

