



US00D730296S

(12) **United States Design Patent**  
**Ishimaru**

(10) **Patent No.:** **US D730,296 S**  
(45) **Date of Patent:** **\*\* May 26, 2015**

(54) **ELECTRIC CONNECTOR**

(71) Applicant: **DAI-ICHI SEIKO CO., LTD.**,  
Kyoto-shi (JP)

(72) Inventor: **Masao Ishimaru**, Fukuoka (JP)

(73) Assignee: **DAI-ICHI SEIKO CO., LTD.**,  
Kyoto-shi (JP)

(\*\*) Term: **14 Years**

(21) Appl. No.: **29/459,877**

(22) Filed: **Jul. 3, 2013**

(30) **Foreign Application Priority Data**

Jan. 16, 2013 (JP) ..... 2013-000628

(51) **LOC (10) Cl.** ..... **13-03**

(52) **U.S. Cl.**  
USPC ..... **D13/147**

(58) **Field of Classification Search**  
USPC ..... D13/147, 154, 184, 199; 439/260, 329,  
439/395, 422, 492-499  
See application file for complete search history.

(56) **References Cited**

**U.S. PATENT DOCUMENTS**

D606,495 S *	12/2009	Hamauchi	.....	D13/147
D607,410 S *	1/2010	Ikari	.....	D13/147
D629,360 S *	12/2010	Hayashi et al.	.....	D13/147
D641,322 S *	7/2011	Kurachi	.....	D13/147
D645,824 S *	9/2011	Kurachi	.....	D13/147
D645,825 S *	9/2011	Kurachi	.....	D13/147
8,317,533 B2	11/2012	Ishimaru		
8,371,880 B2	2/2013	Ishimaru		
2013/0005174 A1	1/2013	Ishimaru		

**FOREIGN PATENT DOCUMENTS**

JP D1396094 S 8/2010  
JP D1452936 S 10/2012

**OTHER PUBLICATIONS**

U.S. Appl. No. 29/397,662, filed Jul. 19, 2011, Ishimaru.  
U.S. Appl. No. 29/459,877, filed Jul. 3, 2013, Ishimaru.  
U.S. Appl. No. 29/284,690, filed Mar. 12, 2014, Ishimaru.

\* cited by examiner

*Primary Examiner* — Daniel Bui

(74) *Attorney, Agent, or Firm* — Oblon, McClelland, Maier & Neustadt, L.L.P.

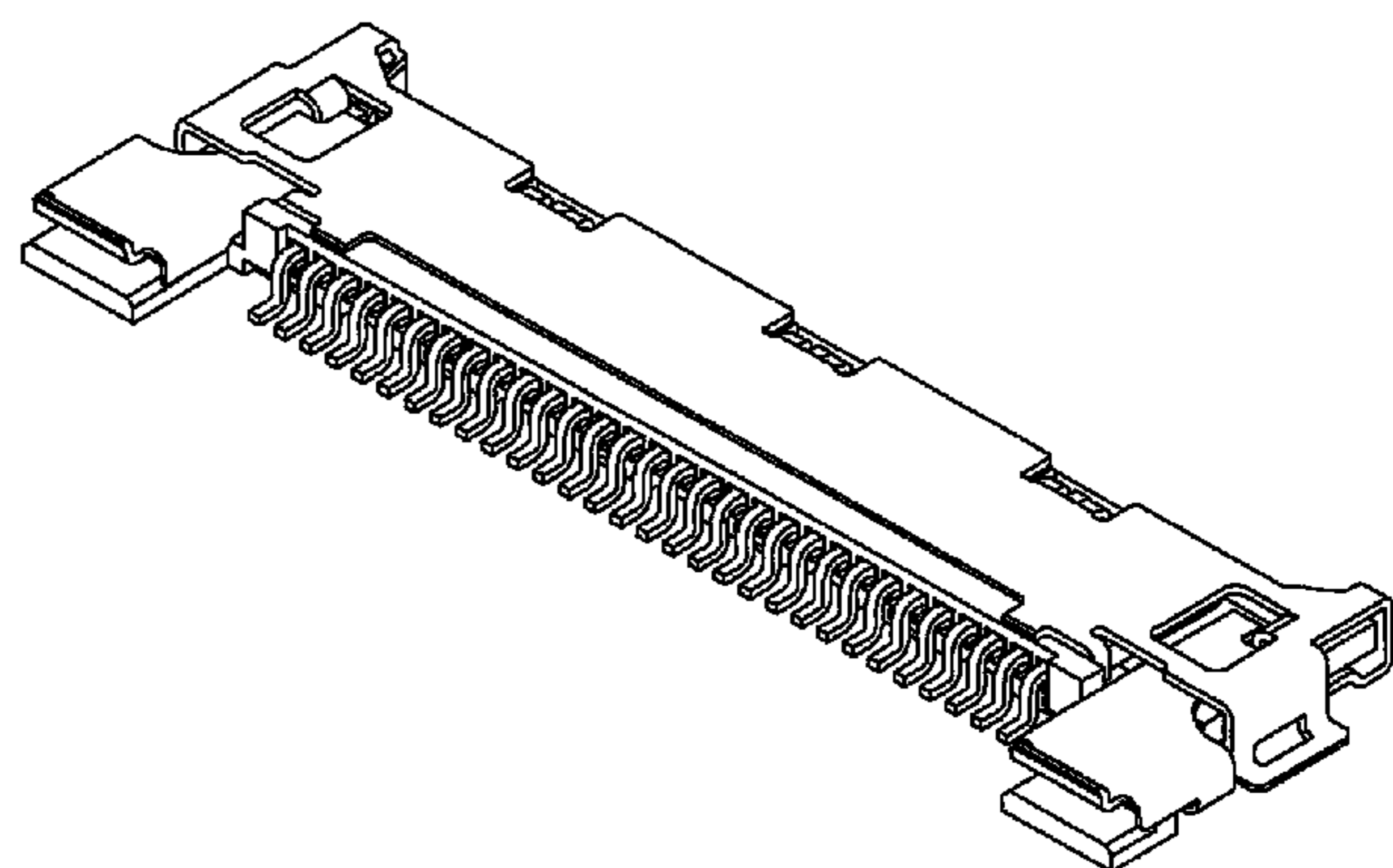
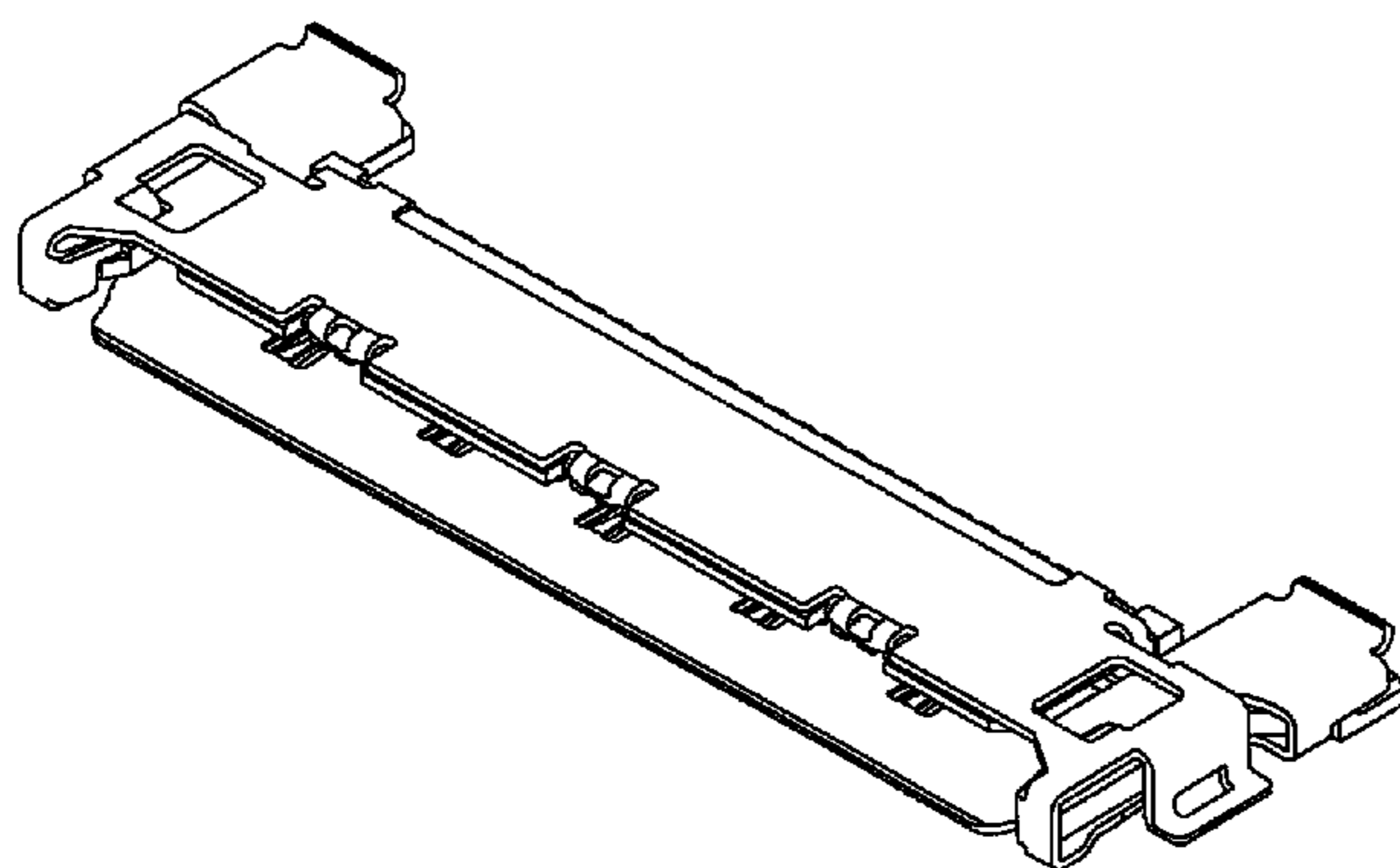
(57) **CLAIM**

The ornamental design for an electric connector, as shown and described.

**DESCRIPTION**

FIG. 1 is a top plan view of an electric connector showing my new design;  
FIG. 2 is a front elevational view thereof;  
FIG. 3 is a bottom plan view thereof;  
FIG. 4 is a rear elevational view thereof;  
FIG. 5 is a right side elevational view thereof, the left side elevational view being a mirror image of the right side elevational view;  
FIG. 6 is a front, top, and right side perspective view thereof; and,  
FIG. 7 is a rear, top, and left side perspective view thereof.  
The broken lines in the figure drawing views are included for the purpose of illustrating environment and forms no part of the claimed design.

**1 Claim, 7 Drawing Sheets**



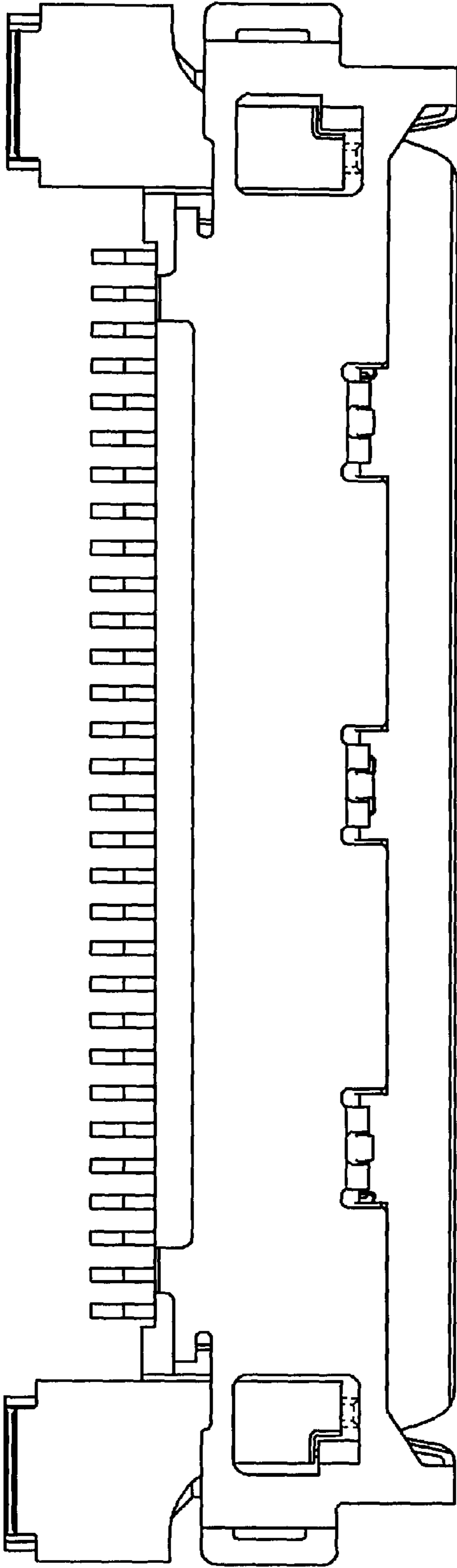


Fig.1

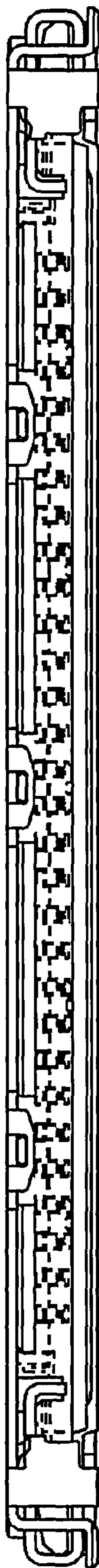


Fig.2

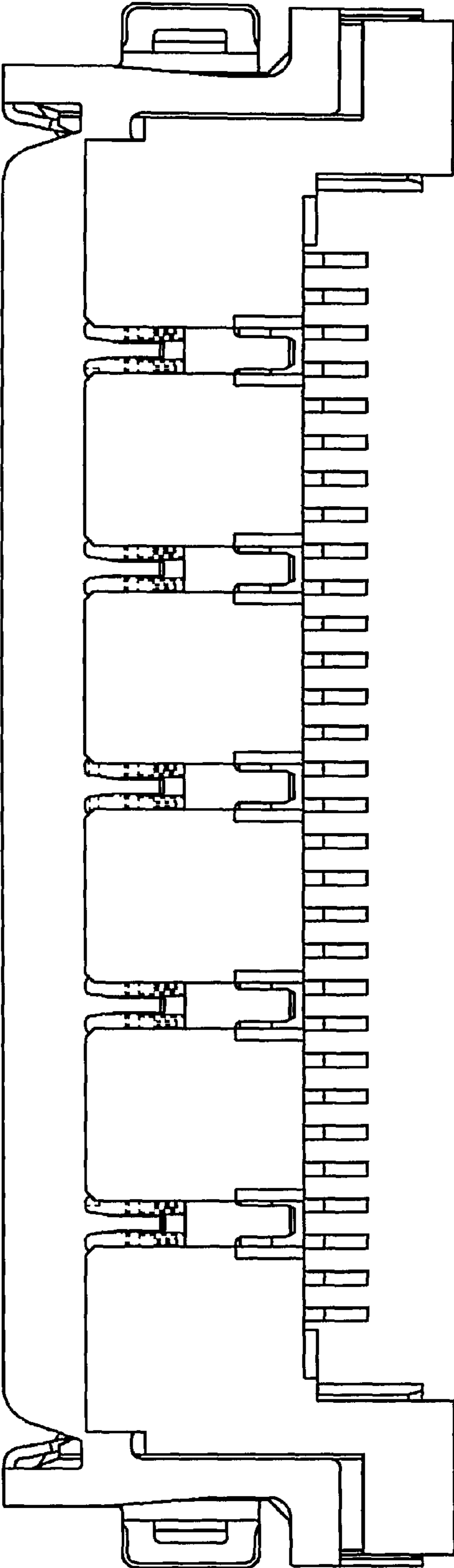


Fig.3

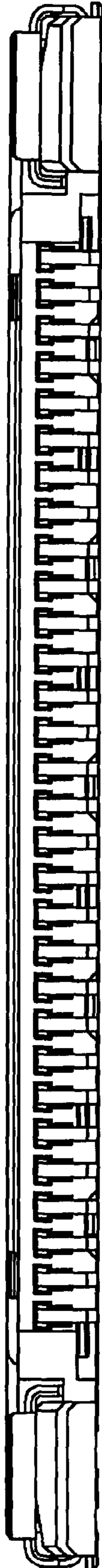


Fig.4

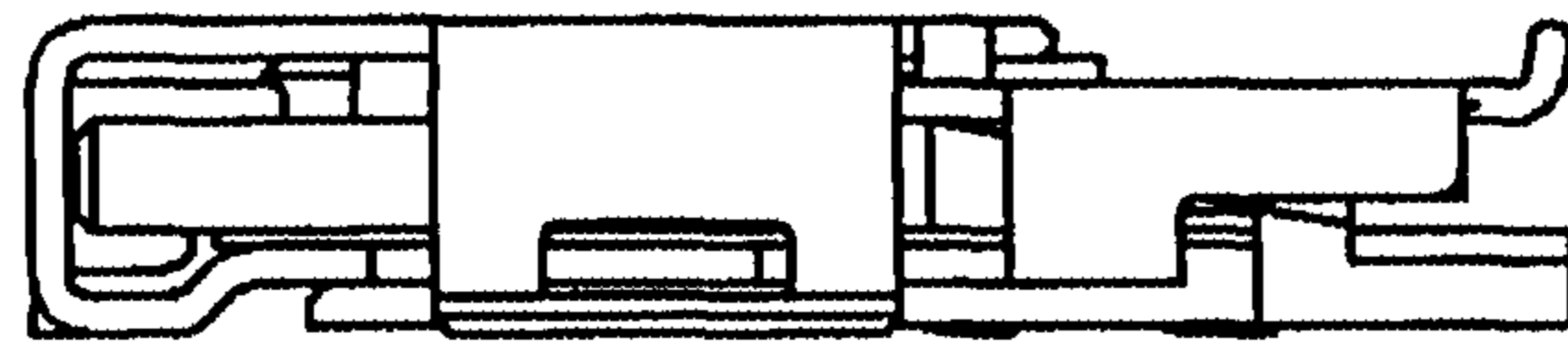


Fig.5

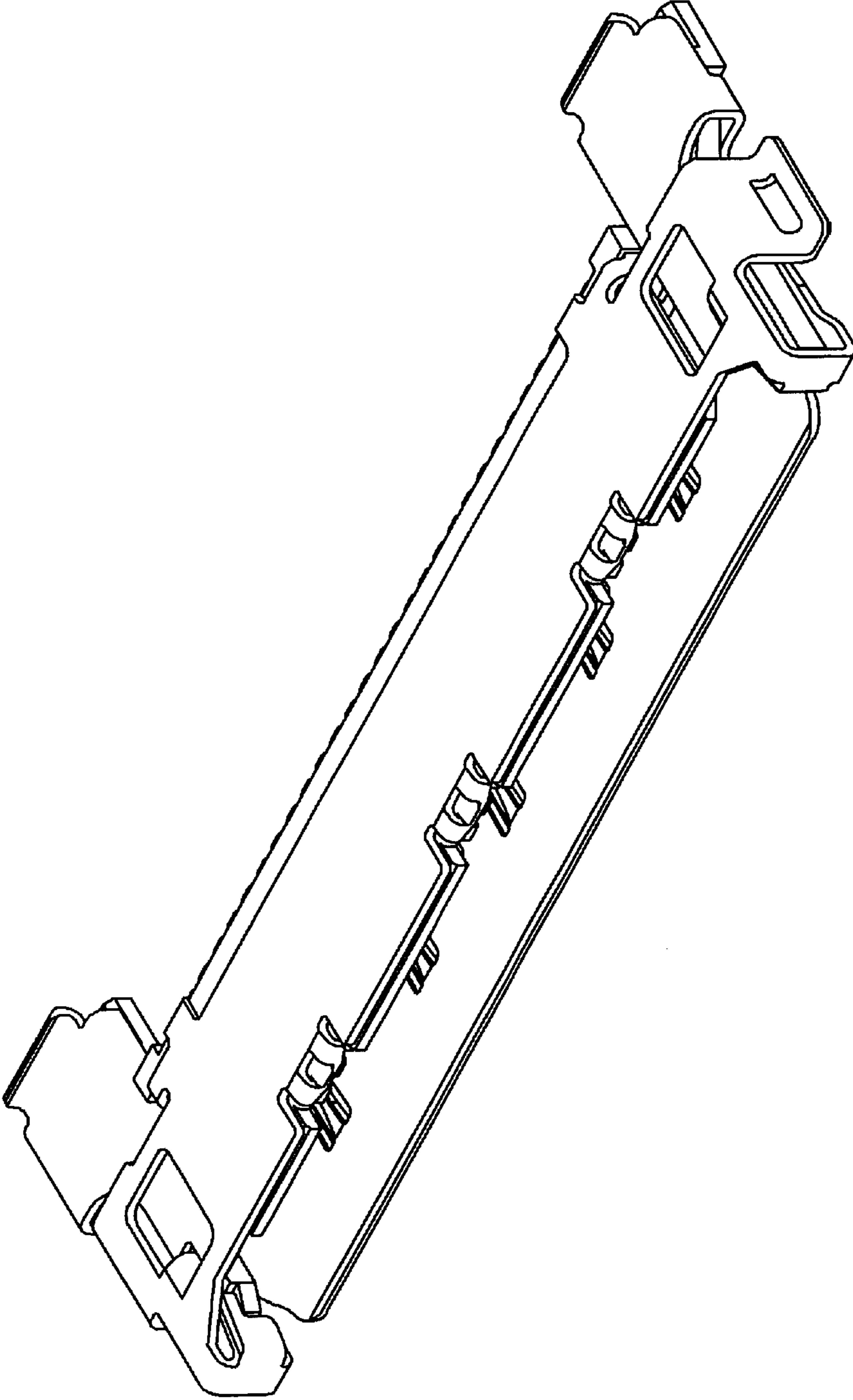


Fig.6

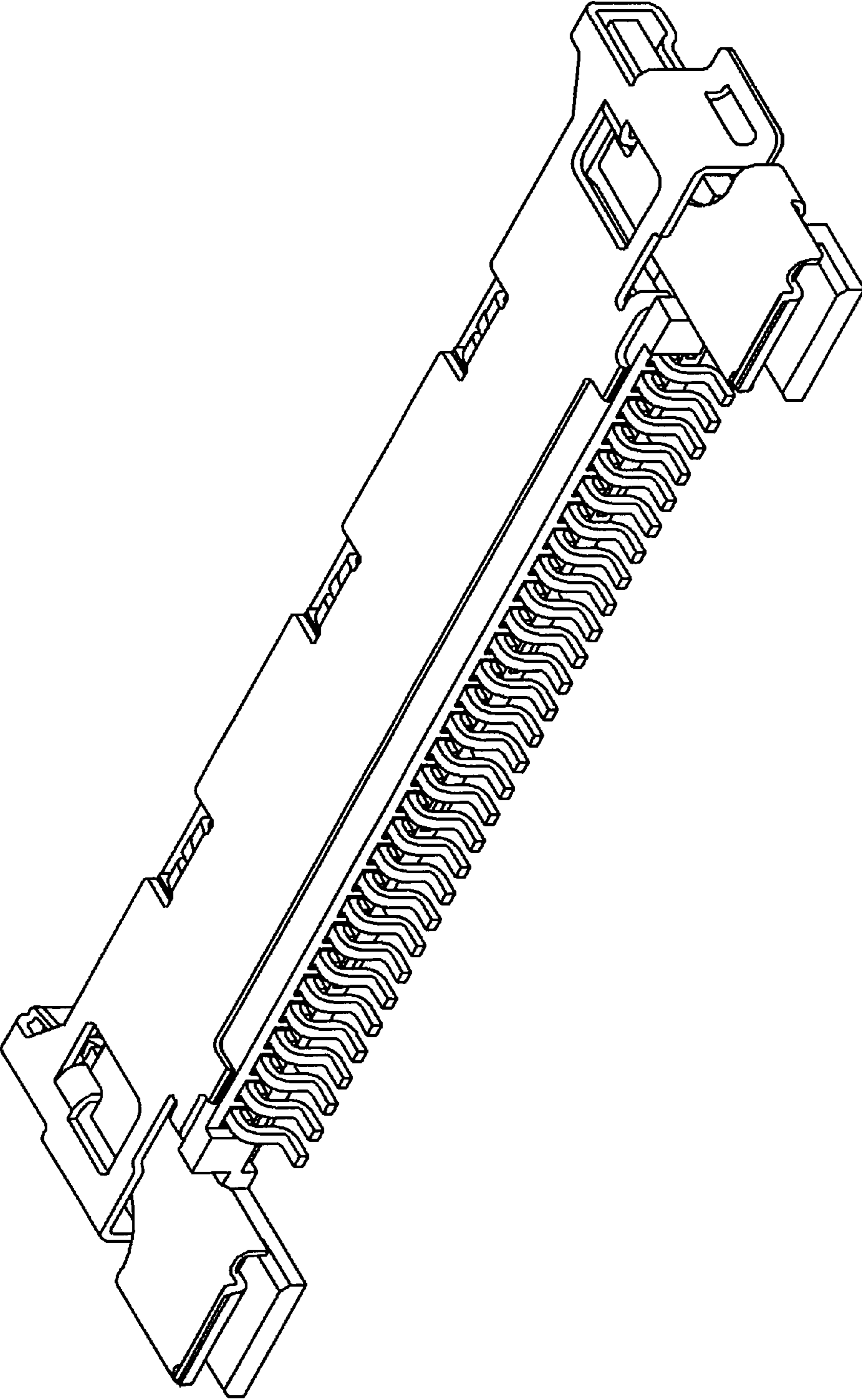


Fig.7