



US00D730295S

(12) **United States Design Patent**
Kim

(10) **Patent No.:** **US D730,295 S**

(45) **Date of Patent:** **** May 26, 2015**

(54) **CONNECTION BOX FOR TV RECEIVER**

(56) **References Cited**

(71) Applicant: **SAMSUNG ELECTRONICS CO., LTD.**, Suwon-si (KR)

U.S. PATENT DOCUMENTS

(72) Inventor: **Jaehyung Kim**, Gwangju Si (KR)

D452,475 S * 12/2001 Reynolds D13/110
D506,726 S * 6/2005 Suckle et al. D13/110
D559,186 S * 1/2008 Kelmer D13/147
D559,784 S * 1/2008 Shi et al. D13/147

(73) Assignee: **Samsung Electronics Co., Ltd.**, Suwon-Si (KR)

* cited by examiner

(**) Term: **14 Years**

Primary Examiner — Daniel Bui

(21) Appl. No.: **29/459,619**

(74) *Attorney, Agent, or Firm* — Ladas & Parry LLP

(22) Filed: **Jul. 2, 2013**

(57) **CLAIM**

The ornamental design for a connection box for TV receiver, as shown and described.

(30) **Foreign Application Priority Data**

DESCRIPTION

Jan. 4, 2013 (KR) 30-2013-0000700

FIG. 1 is a top perspective view of a connection box for TV receiver showing my new design;
FIG. 2 is the front elevation view thereof;
FIG. 3 is the rear elevation view thereof;
FIG. 4 is the left-side elevation view thereof;
FIG. 5 is the right-side elevation view thereof;
FIG. 6 is the top plan view thereof;
FIG. 7 is the bottom plan view thereof; and,
FIG. 8 is a top perspective view thereof, in use condition.
The broken line in the figure drawings is included for the purpose of illustrating unclaimed environment and forms no part of the claimed design.

(51) **LOC (10) Cl.** **13-03**

(52) **U.S. Cl.**
USPC **D13/147**

The shade lines in the figures show contour and not surface ornamentation.

(58) **Field of Classification Search**
USPC D13/110, 123, 146, 147, 154, 158, 161,
D13/162, 162.1, 163, 164, 173, 174, 177,
D13/184, 199, 1

See application file for complete search history.

1 Claim, 3 Drawing Sheets

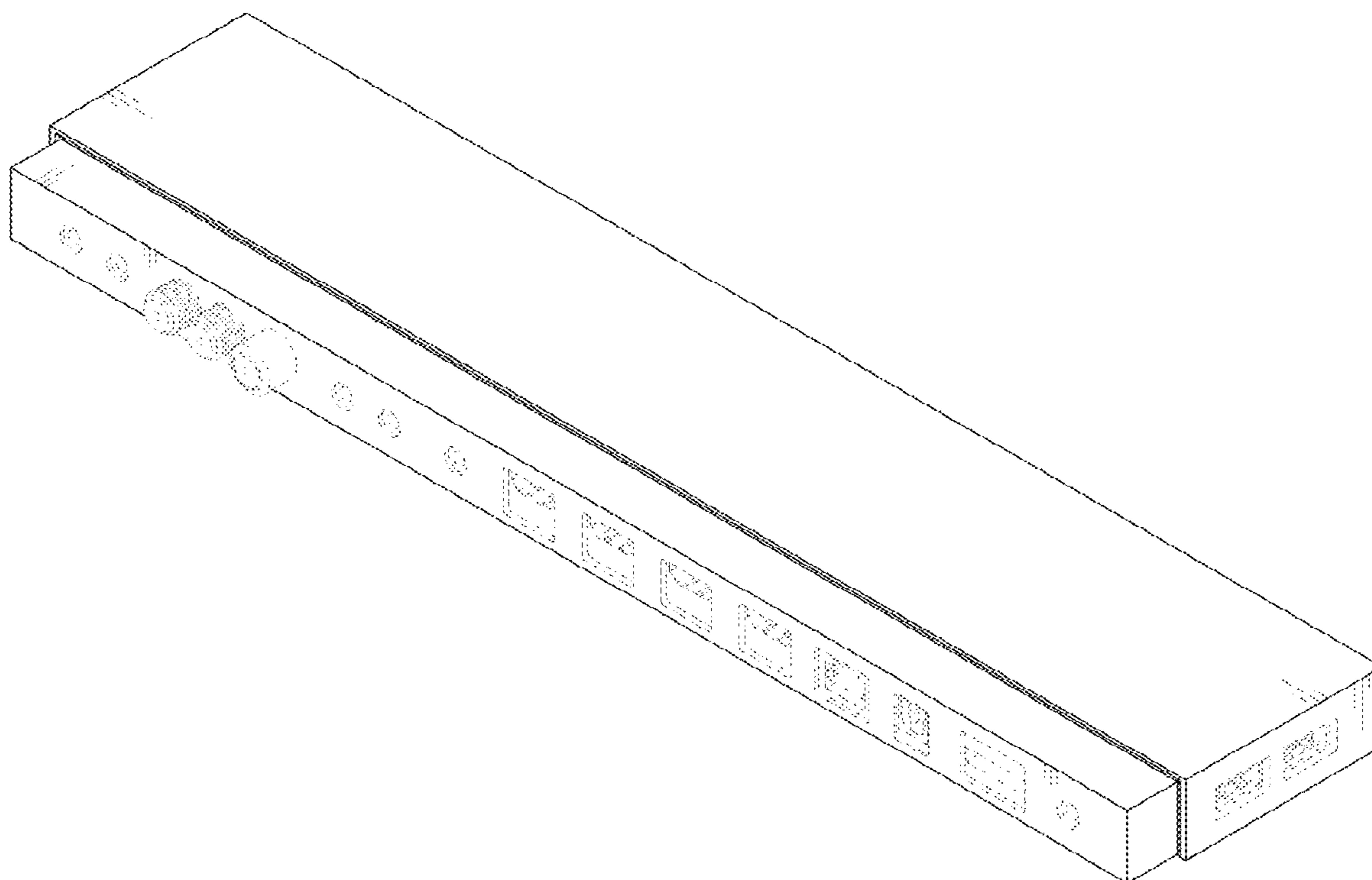


FIG. 1

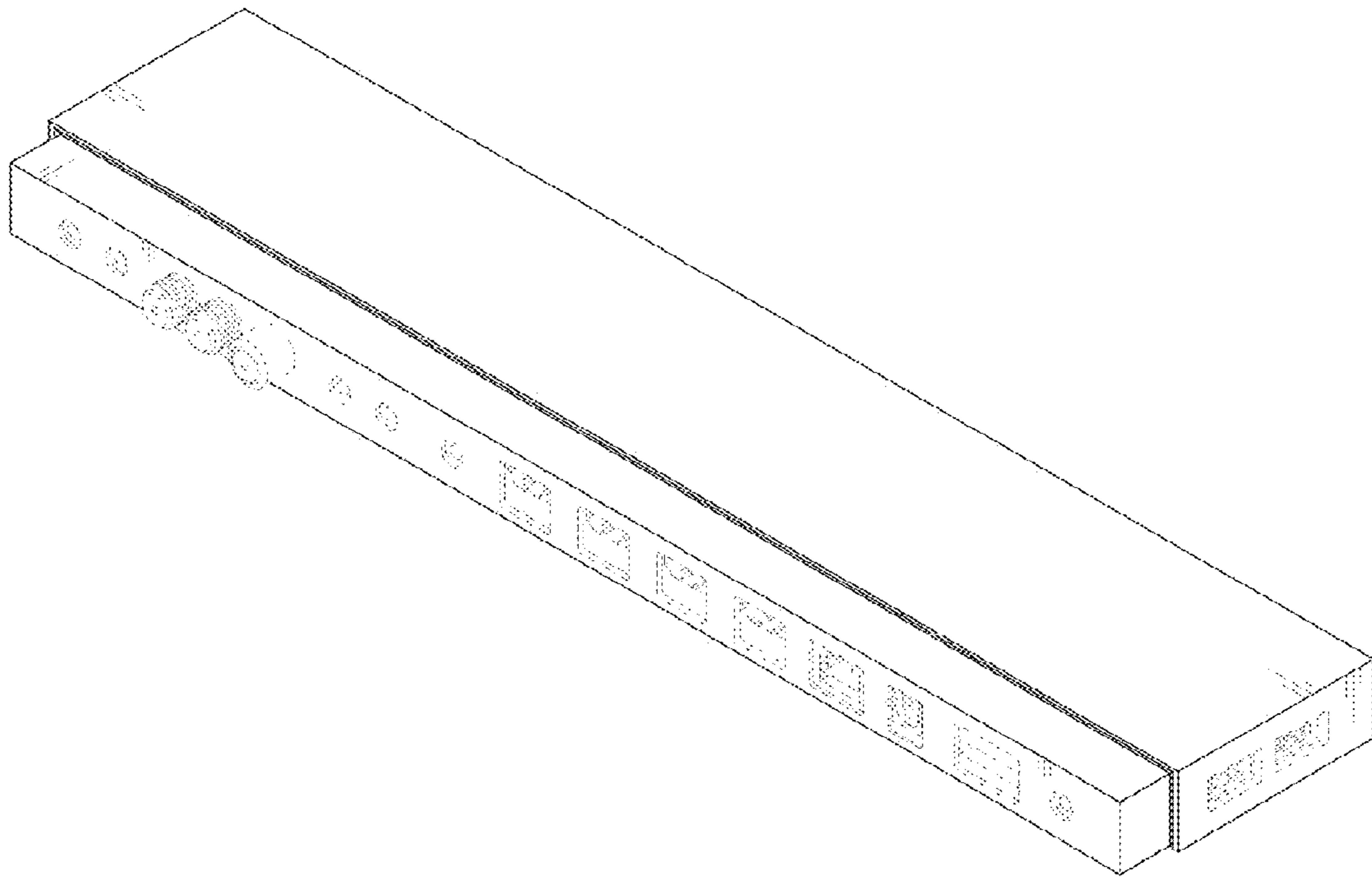


FIG. 2

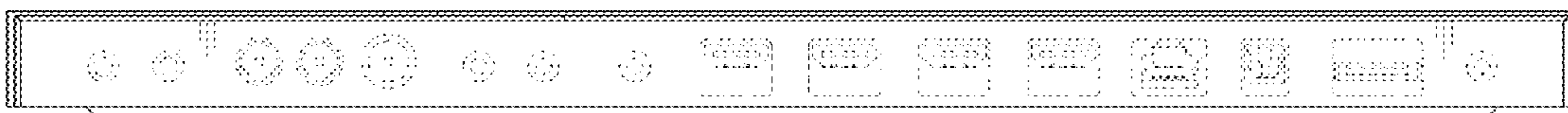


FIG. 3



FIG. 4



FIG. 5

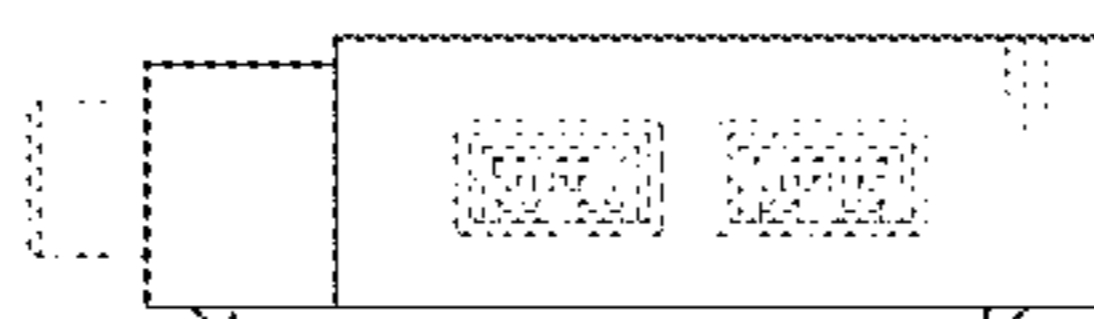


FIG. 6

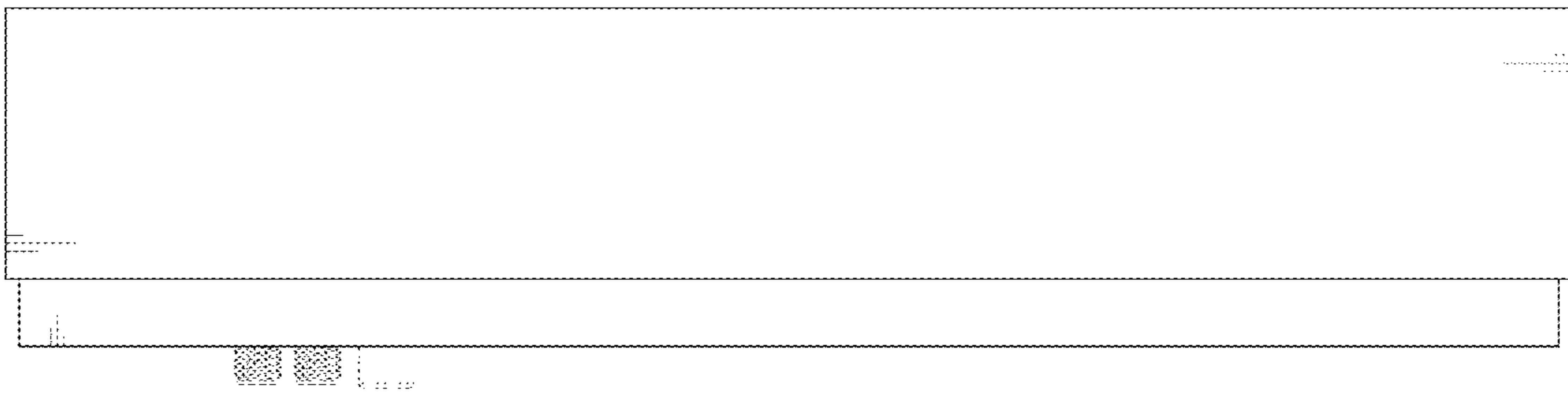


FIG. 7

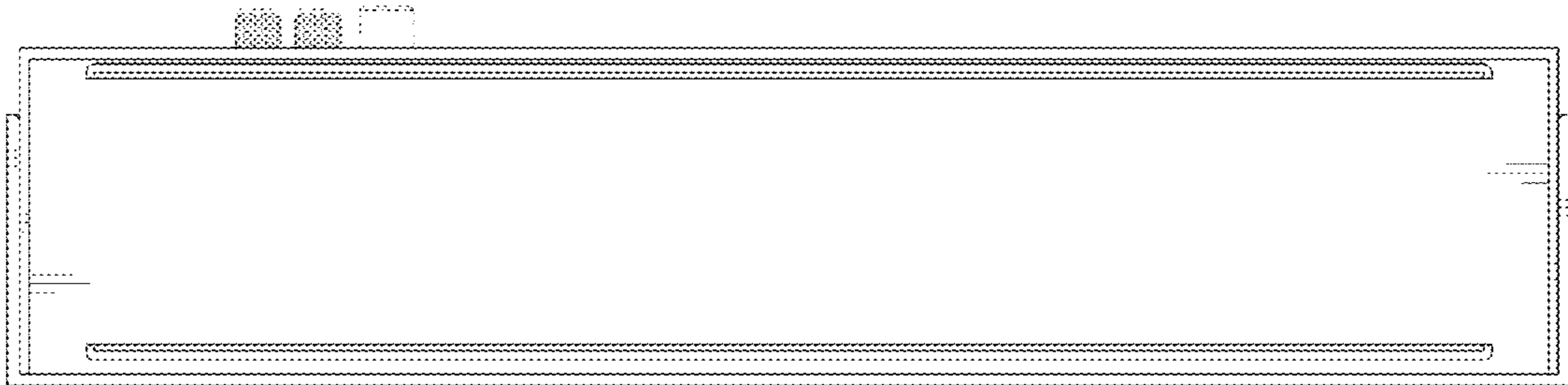


FIG. 8

