



US00D730293S

(12) **United States Design Patent**
Wu et al.

(10) **Patent No.:** **US D730,293 S**

(45) **Date of Patent:** **** May 26, 2015**

(54) **ELECTRICAL WIRE CONNECTION
TERMINAL CASE**

D331,224 S *	11/1992	Robertson	D13/147
D593,951 S *	6/2009	Yoon	D13/147
D596,575 S *	7/2009	Chen et al.	D13/147
7,632,133 B2 *	12/2009	Wu	439/409

(71) Applicant: **SWITCHLAB INC.**, New Taipei (TW)

* cited by examiner

(72) Inventors: **Chih-Yuan Wu**, New Taipei (TW);
Su-Hui Lian, New Taipei (TW)

Primary Examiner — Daniel Bui

(73) Assignee: **Switchlab Inc.**, New Taipei (TW)

(74) *Attorney, Agent, or Firm* — Rosenberg, Klein & Lee

(**) Term: **14 Years**

(57) **CLAIM**

The ornamental design for an electrical wire connection terminal case, as shown and described.

(21) Appl. No.: **29/455,434**

DESCRIPTION

(22) Filed: **May 21, 2013**

(51) **LOC (10) Cl.** **13-03**

(52) **U.S. Cl.**
USPC **D13/147**

(58) **Field of Classification Search**
USPC D13/147, 154, 184, 199
See application file for complete search history.

FIG. 1 is a front side perspective view showing our new design for electrical wire connection terminal case;
FIG. 2 is a front elevational view thereof;
FIG. 3 is a rear elevational view thereof;
FIG. 4 is a left side elevational view thereof;
FIG. 5 is a right side elevational view thereof;
FIG. 6 is a top plan view thereof; and,
FIG. 7 is a bottom plan view thereof.

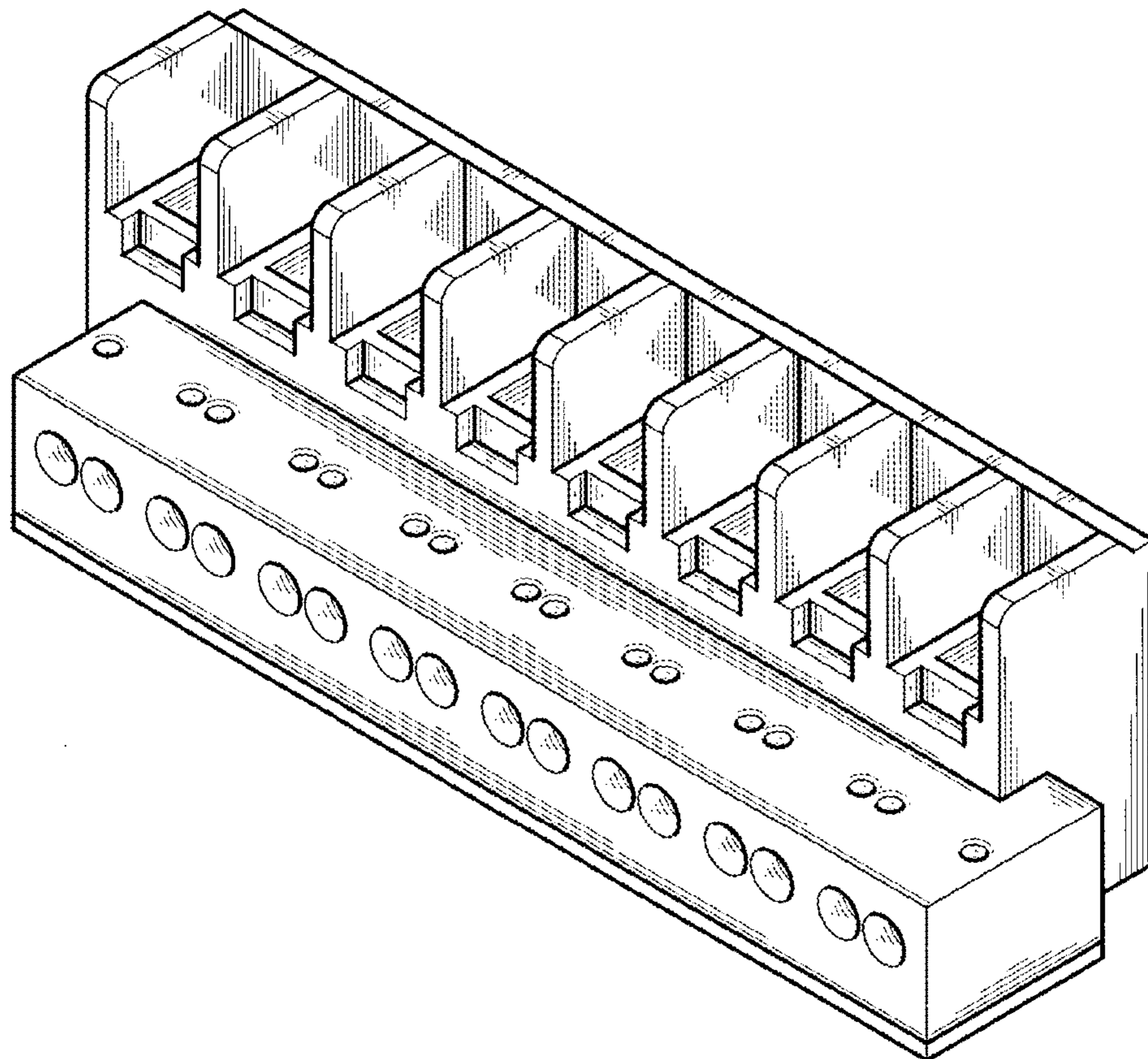
The broken lines in the drawings illustrate the portions of the design that form no part of the claim.

(56) **References Cited**

U.S. PATENT DOCUMENTS

D225,065 S *	11/1972	Beamani	D13/146
D245,185 S *	7/1977	Obuch	D13/147

1 Claim, 7 Drawing Sheets



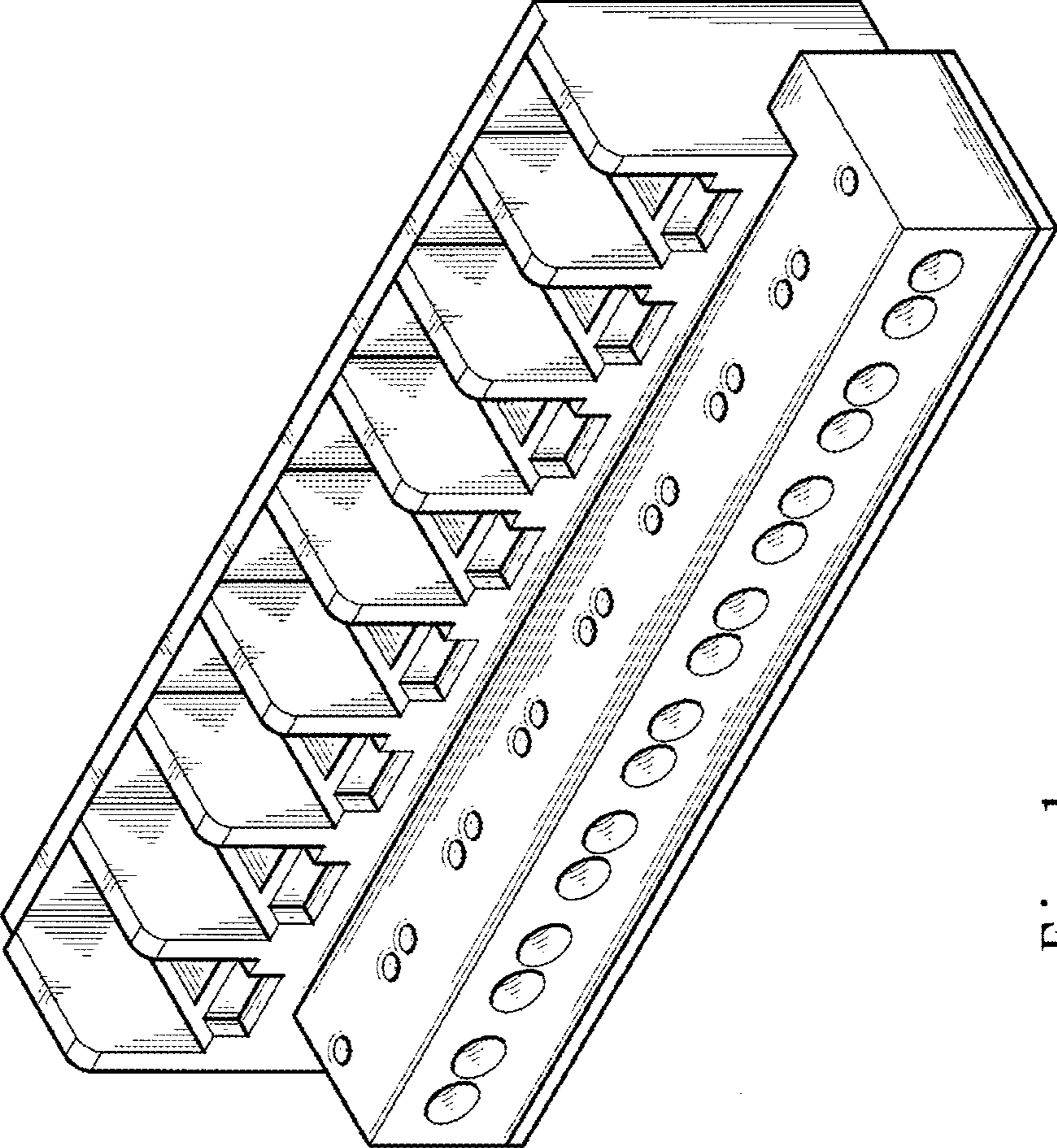


Fig. 1

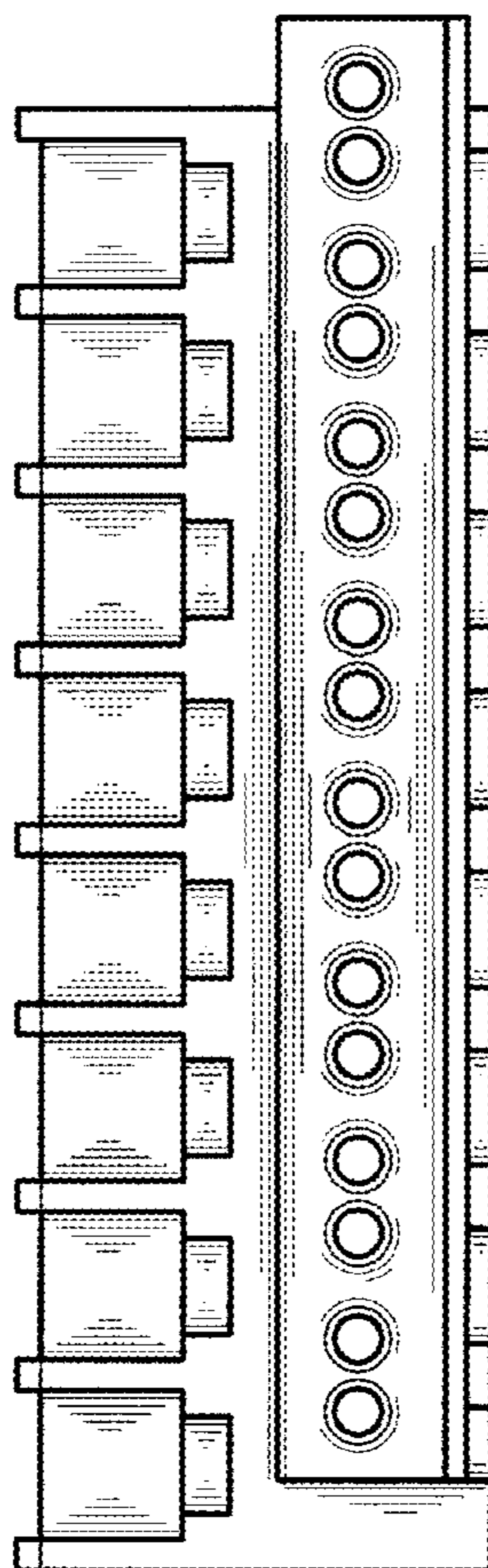


Fig. 2

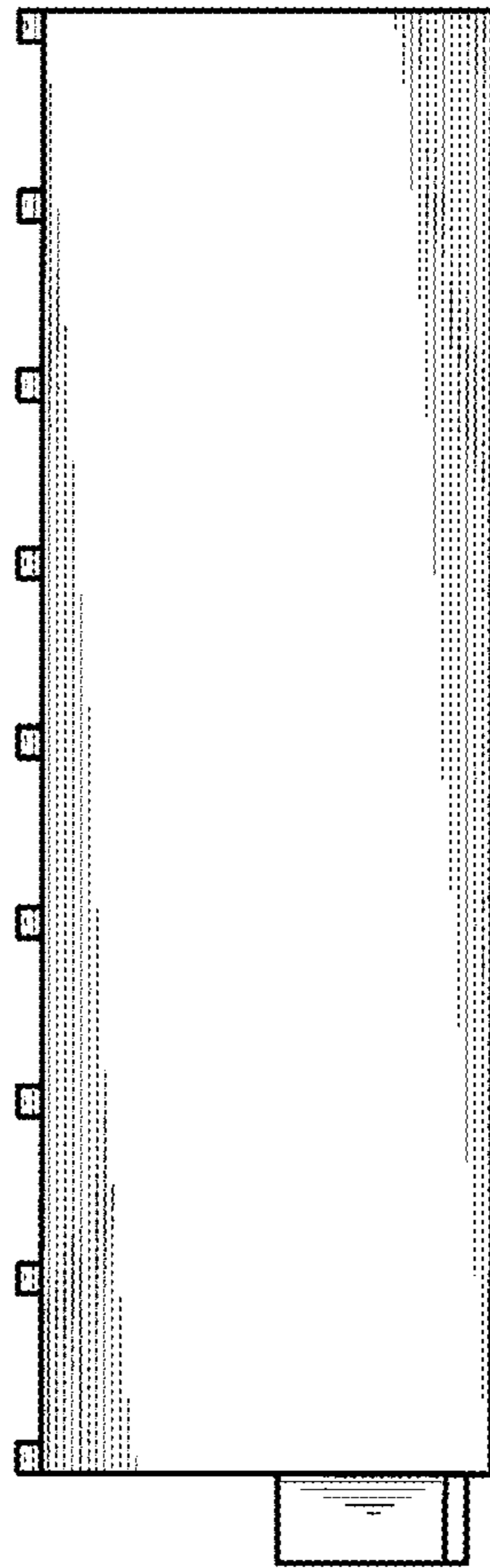


Fig. 3

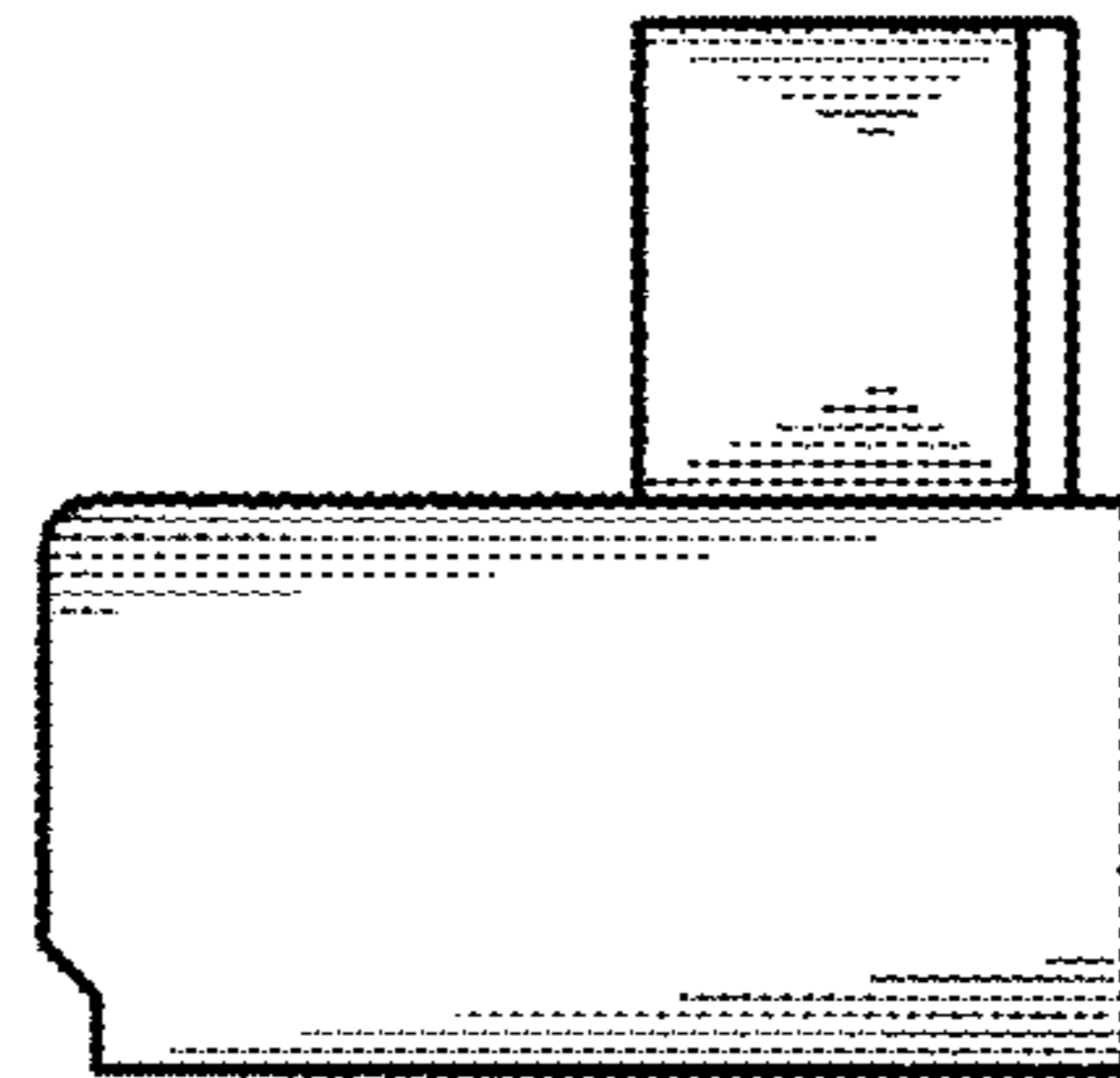


Fig. 4

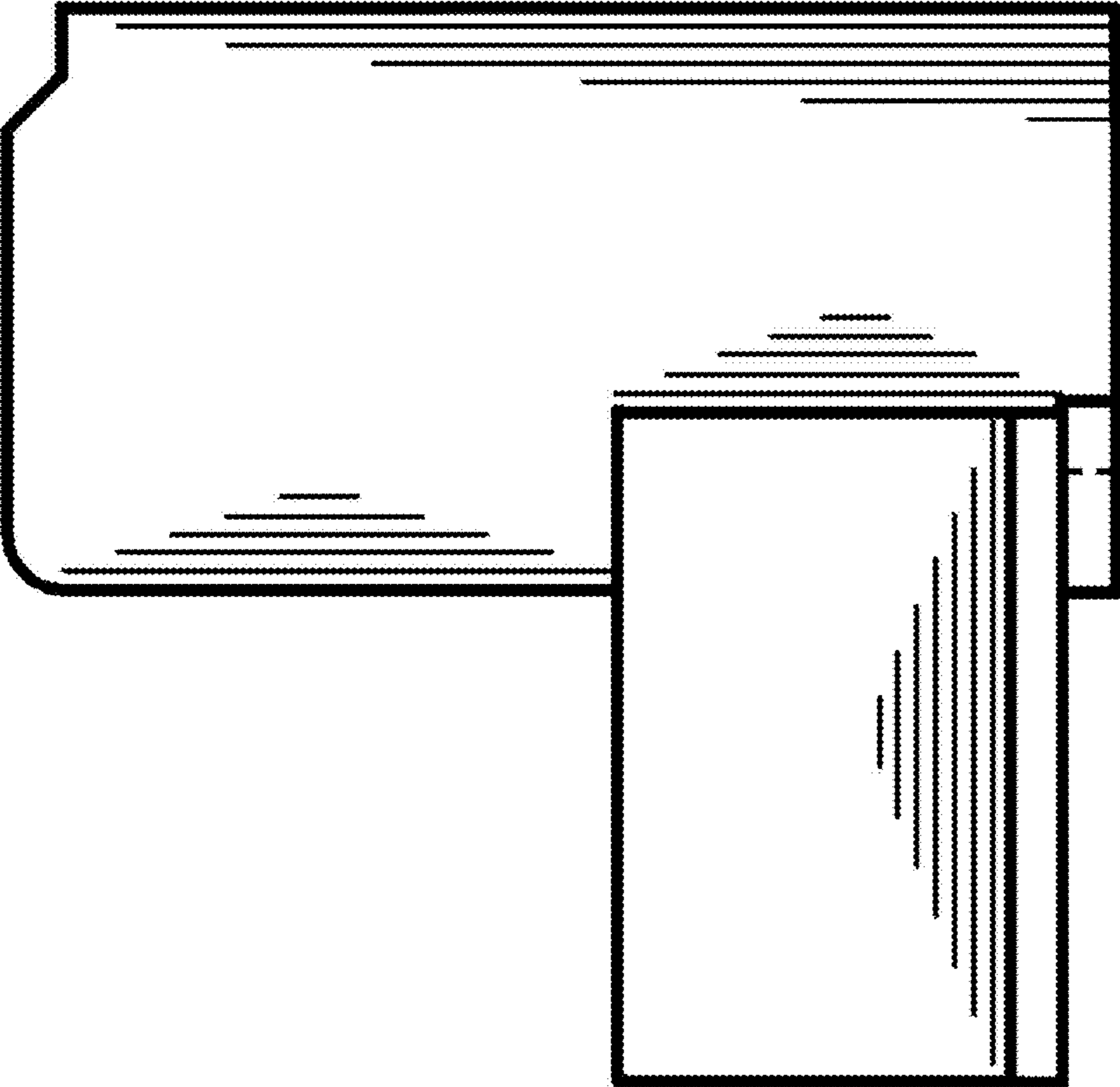


Fig. 5

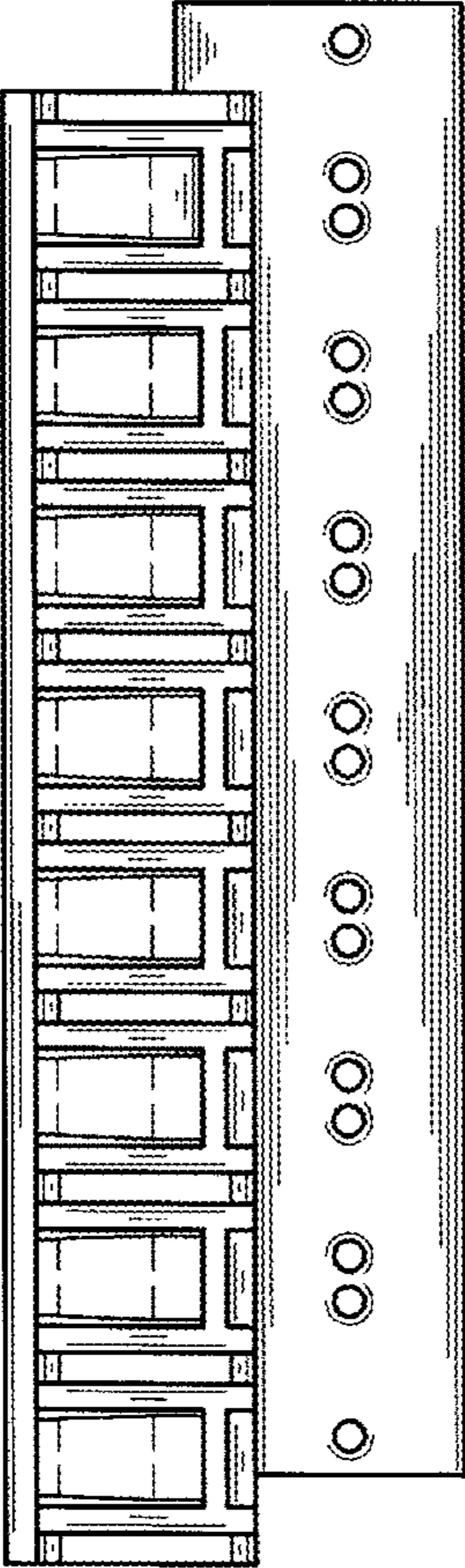


Fig. 6

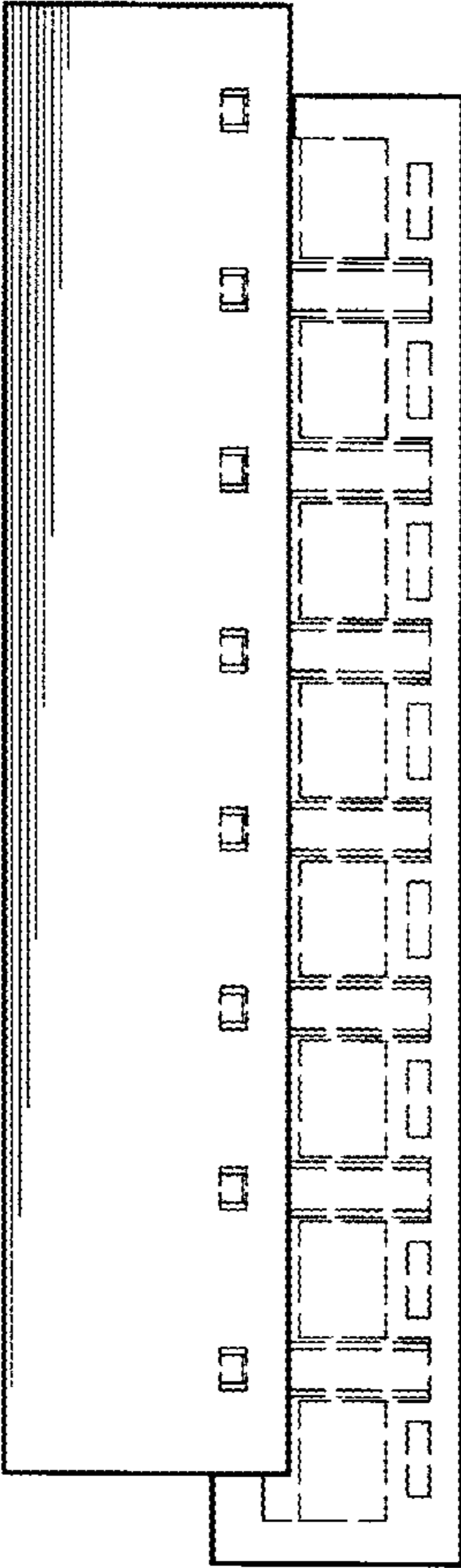


Fig. 7