



US00D730292S

(12) **United States Design Patent**  
**Wohlhueter**

(10) **Patent No.:** **US D730,292 S**  
(45) **Date of Patent:** **\*\* May 26, 2015**

(54) **CONNECTOR ASSEMBLY**

(71) Applicant: **MCQ TECH GMBH**, Blumberg (DE)

(72) Inventor: **Guenther Wohlhueter**, Allensbach (DE)

(73) Assignee: **MCQ TECH GMBH**, Blumberg (DE)

(\*\*) Term: **14 Years**

(21) Appl. No.: **29/441,497**

(22) Filed: **Jan. 7, 2013**

(30) **Foreign Application Priority Data**

Jul. 10, 2012 (EM) ..... 002070672-0001  
Jul. 10, 2012 (EM) ..... 002070672-0002

(51) **LOC (10) Cl.** ..... **13-03**

(52) **U.S. Cl.**  
USPC ..... **D13/147**

(58) **Field of Classification Search**  
CPC ..... G02F 1/29; G02F 1/383; G02F 1/3131;  
G02F 1/133524  
USPC ..... D13/133, 146, 147, 153, 184, 199  
See application file for complete search history.

(56) **References Cited**

**U.S. PATENT DOCUMENTS**

5,118,310	A *	6/1992	Stroede et al.	439/676
D340,059	S *	10/1993	Wetzel et al.	D14/256
D394,426	S *	5/1998	Akins	D13/133
D397,323	S *	8/1998	Tulley et al.	D13/147
D400,859	S *	11/1998	Tulley et al.	D13/147
D464,657	S *	10/2002	Goto	D14/433
D562,239	S *	2/2008	Dold et al.	D13/133
D605,130	S *	12/2009	Lin et al.	D13/147
D611,903	S *	3/2010	Karabcievsky et al.	D13/133
8,057,249	B1 *	11/2011	Tobey et al.	439/345
D652,799	S *	1/2012	Mueller	D13/133
D658,126	S *	4/2012	Mueller	D13/133

D658,127	S *	4/2012	Mueller	D13/133
D658,584	S *	5/2012	Mueller	D13/133
D699,679	S *	2/2014	Sticker et al.	D13/133
2007/0270043	A1 *	11/2007	Pepe et al.	439/676
2008/0166925	A1 *	7/2008	Caveney et al.	439/676

**OTHER PUBLICATIONS**

Metz, RJ45 Configurator: DCCS2 RJ45-Link, PICabling Product Catalog, Publish Date:Unknown, Aug. 22, 2014 catalog, <URL: [http://www.metz-connect.com/en/system/files/P\\_Cabling\\_Catalog\\_Cabling\\_Solutions\\_for\\_Networks\\_EN\\_22\\_08\\_2014\\_OFF-024801.pdf](http://www.metz-connect.com/en/system/files/P_Cabling_Catalog_Cabling_Solutions_for_Networks_EN_22_08_2014_OFF-024801.pdf)> p. 275.\*

\* cited by examiner

*Primary Examiner* — Jeffrey D Asch

*Assistant Examiner* — Sanjeev Paul

(74) *Attorney, Agent, or Firm* — Andrew F. Young, Esq.; Lackenbach Siegel, LLP

(57) **CLAIM**

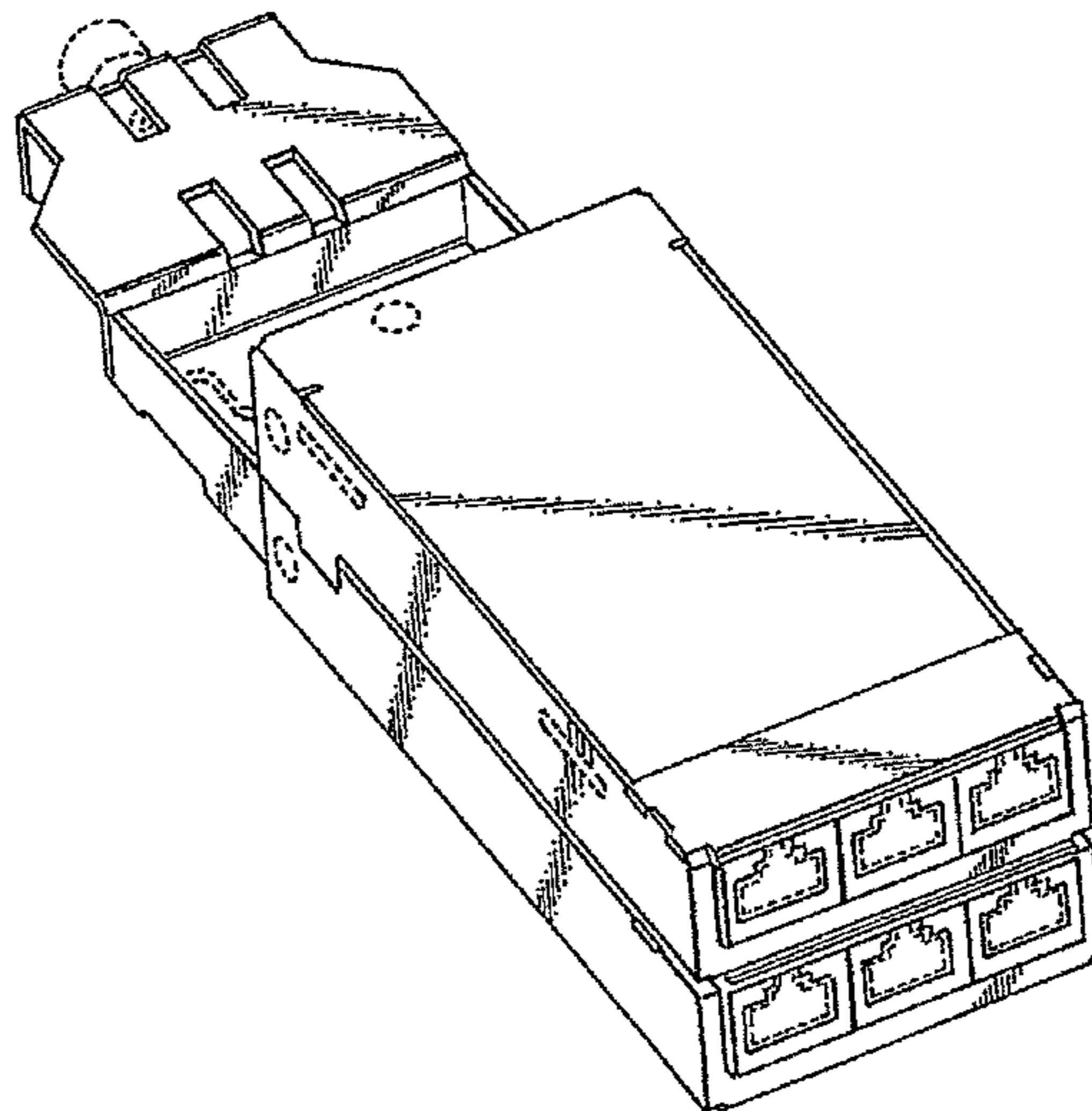
The ornamental design for a connector assembly, as shown and described.

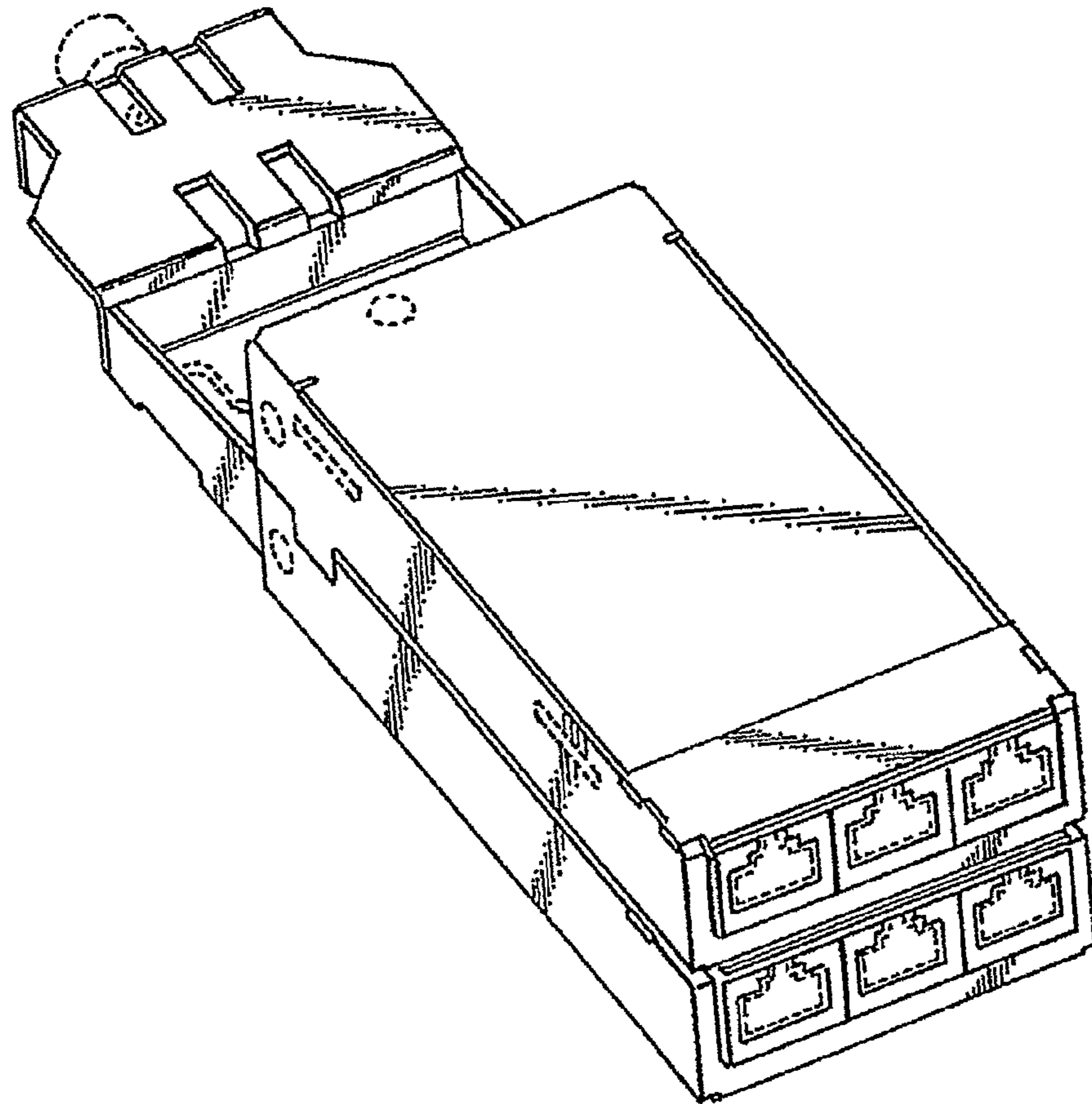
**DESCRIPTION**

FIG. 1 is a top, right side, and front perspective view of a connector assembly showing my new design;  
FIG. 2 is a top plan view of FIG. 1.  
FIG. 3 is a front elevation view of FIG. 1.  
FIG. 4 is a rear elevation view of FIG. 1.  
FIG. 5 is a bottom plan view of FIG. 1.  
FIG. 6 is a right side elevation view of FIG. 1; and,  
FIG. 7 is a left side elevation view of FIG. 1.

The surfaces are lined for contour only and no claim is made to any particular surface texture. The broken lines shown in the figures that are immediately adjacent to the shaded areas and define edges or regions that are unshaded, represent the bounds of the claim, while all other broken lines are directed to portions of the connector assembly that do not form a part of the claimed design. The broken lines form no part of the claimed design.

**1 Claim, 6 Drawing Sheets**





*FIG. 1*

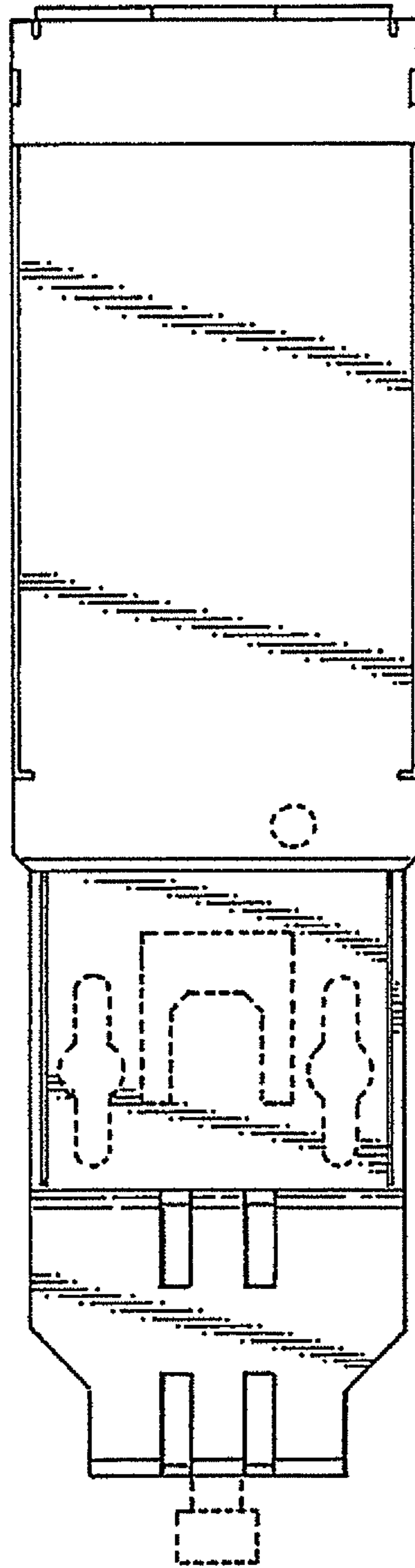


FIG. 2

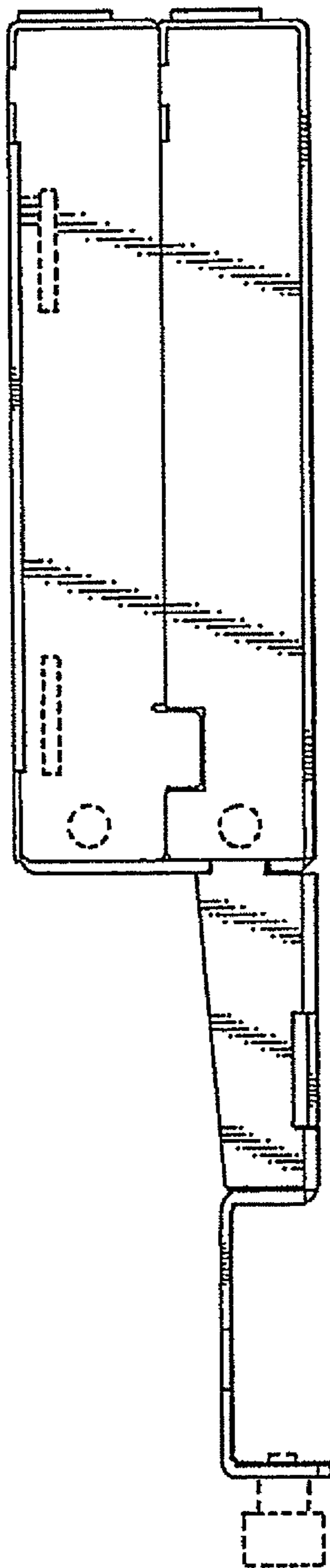


FIG. 3

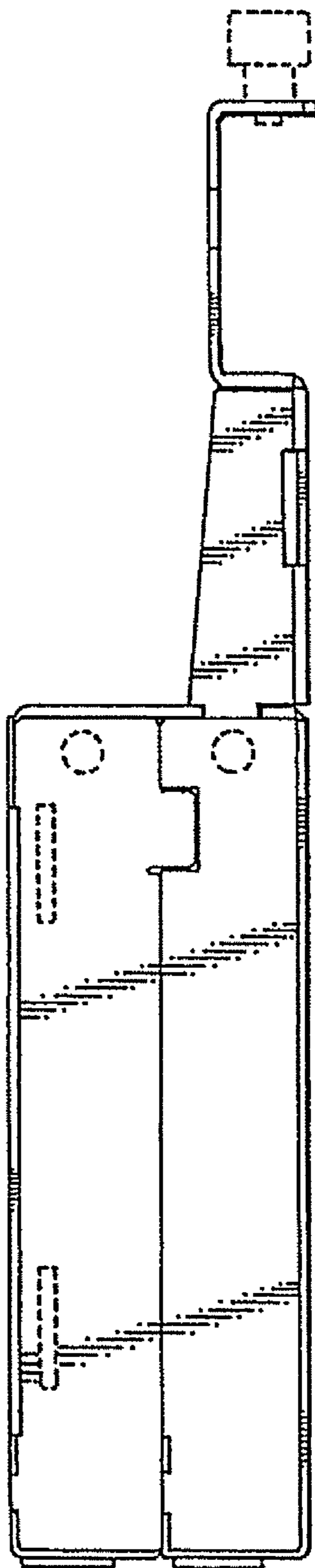


FIG. 4

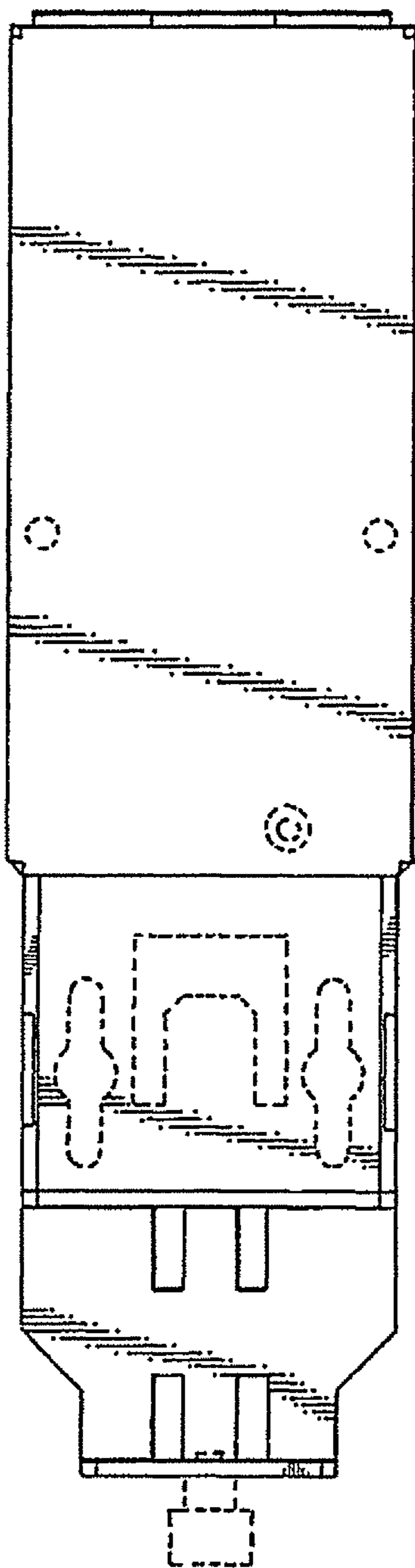
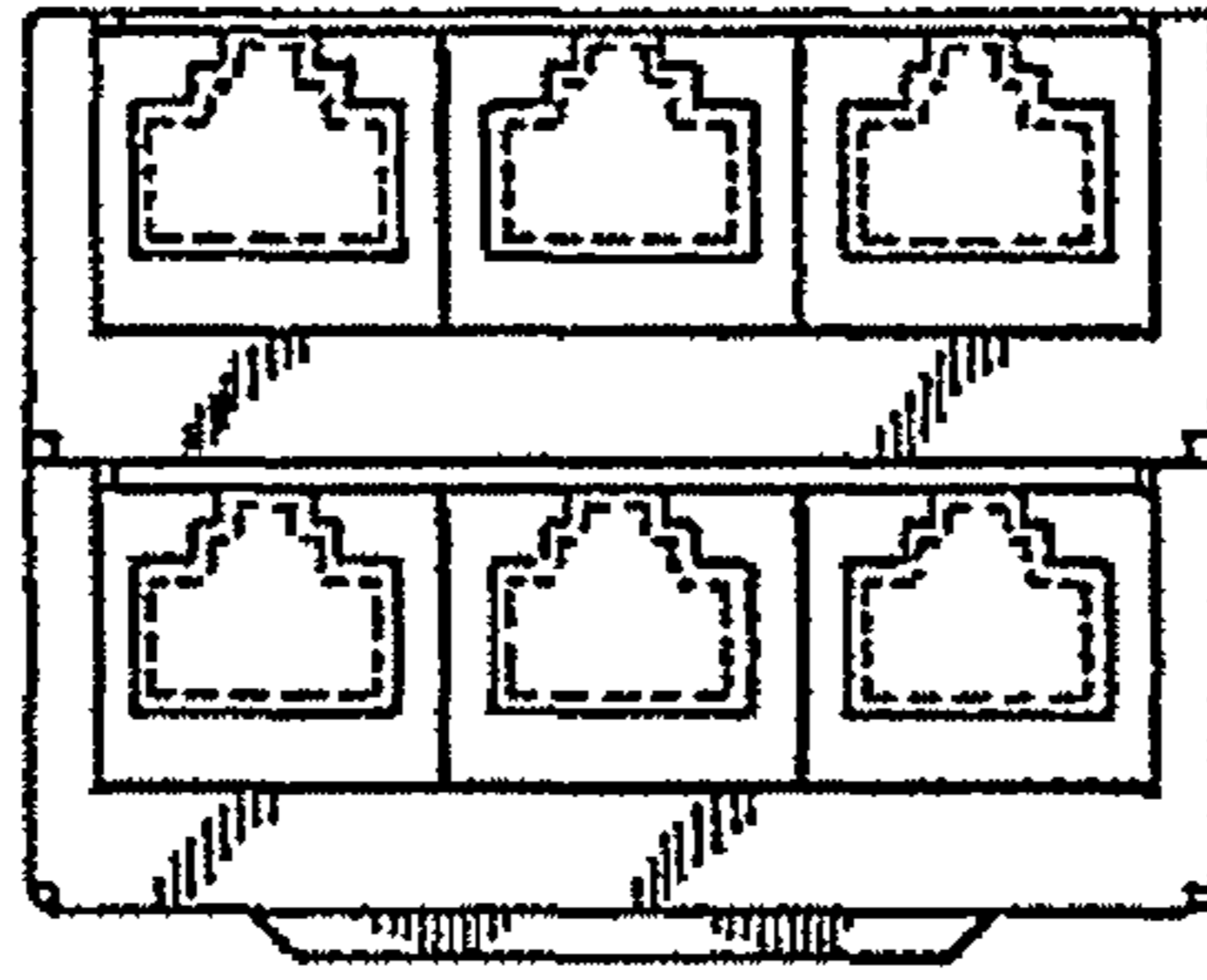
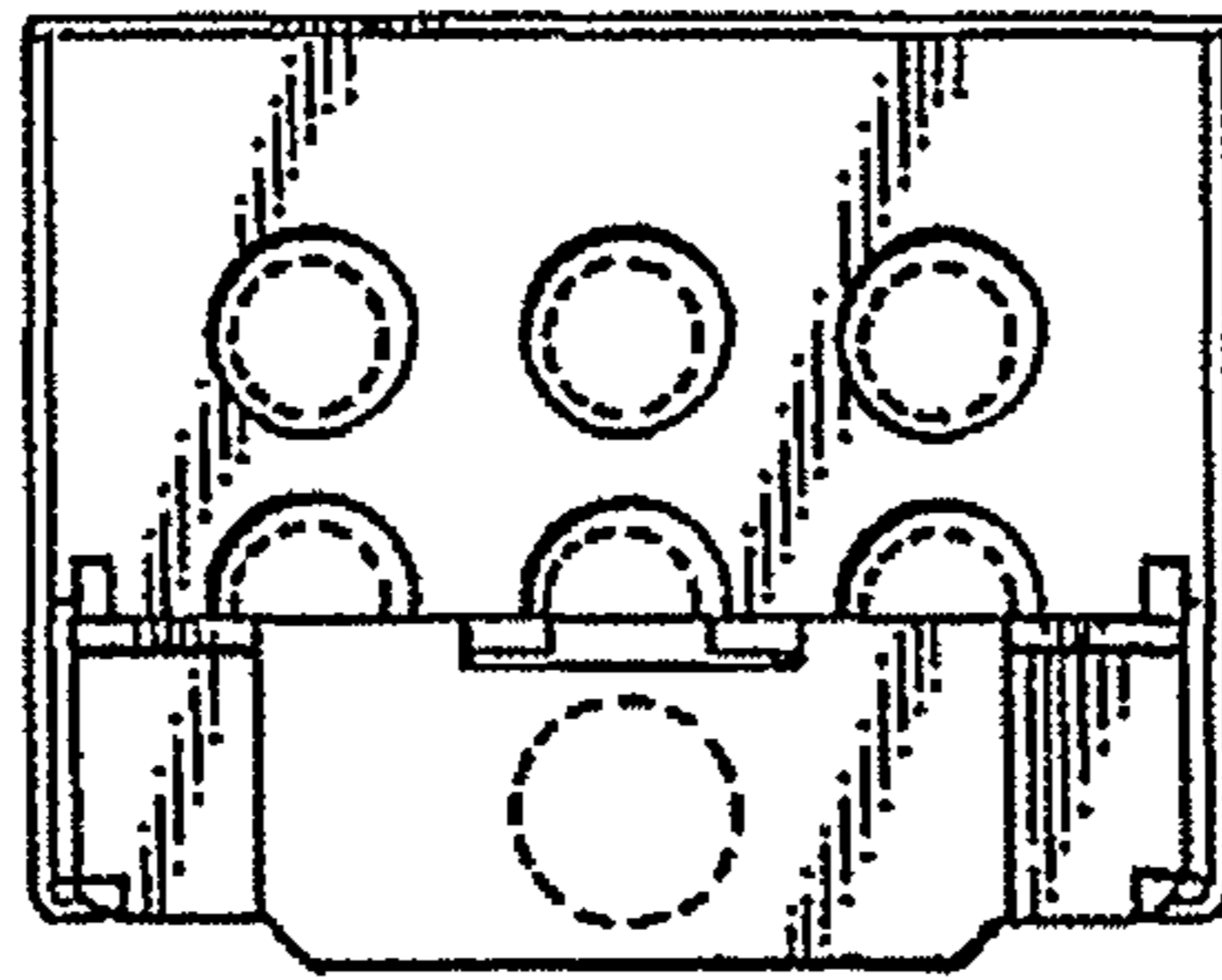


FIG. 5



*FIG. 6*



*FIG. 7*