



US00D730291S

(12) **United States Design Patent**
Chen

(10) **Patent No.:** **US D730,291 S**

(45) **Date of Patent:** **** May 26, 2015**

(54) **POWER PLUG/INLET**

(71) Applicant: **Liang Light Chen**, Los Gatos, CA (US)

(72) Inventor: **Liang Light Chen**, Los Gatos, CA (US)

(**) Term: **14 Years**

(21) Appl. No.: **29/469,390**

(22) Filed: **Oct. 9, 2013**

(51) **LOC (10) Cl.** **13-03**

(52) **U.S. Cl.**
USPC **D13/138.1**

(58) **Field of Classification Search**

CPC H02M 5/4585; H02G 7/14; H02G 3/088;
H01L 2924/01079

USPC D13/138.1, 138.2, 139.1, 139.2,
D13/137.1–137.4, 118, 123, 156, 184, 199,
D13/133; 363/15, 34, 146; 439/105–107,
439/650–653; 174/42, 45, 50, 54, 53

See application file for complete search history.

(56) **References Cited**

U.S. PATENT DOCUMENTS

D400,173 S *	10/1998	Starec et al.	D13/138.1
D530,286 S *	10/2006	Phung et al.	D13/156
D543,148 S *	5/2007	Suckle et al.	D13/146
D544,840 S *	6/2007	Hargreaves et al.	D13/146
D627,730 S *	11/2010	Huang et al.	D13/146
D627,731 S *	11/2010	Huang et al.	D13/146
8,382,507 B2 *	2/2013	Yamaguchi et al.	439/369
D678,200 S *	3/2013	Corona	D13/133
D678,201 S *	3/2013	Corona	D13/133
D687,778 S *	8/2013	Utz	D13/133

* cited by examiner

Primary Examiner — Ian Simmons

Assistant Examiner — Rhea Shields

(74) *Attorney, Agent, or Firm* — Douglas L. Weller

(57) **CLAIM**

The ornamental design for a power plug/inlet, as shown and described.

DESCRIPTION

FIG. 1 is a top front right view of the power plug/inlet showing the first embodiment of our new design;

FIG. 2 is a bottom front left perspective view thereof;

FIG. 3 is a front elevation view thereof;

FIG. 4 is a rear elevation view thereof;

FIG. 5 is a right elevation view thereof;

FIG. 6 is a left elevation view thereof;

FIG. 7 is a top plan view thereof;

FIG. 8 is a bottom plan view thereof;

FIG. 9 is top front left perspective view showing our second embodiment;

FIG. 10 is a bottom front right perspective view thereof;

FIG. 11 is a front elevation view thereof;

FIG. 12 is a rear elevation view thereof;

FIG. 13 is a right elevation view thereof;

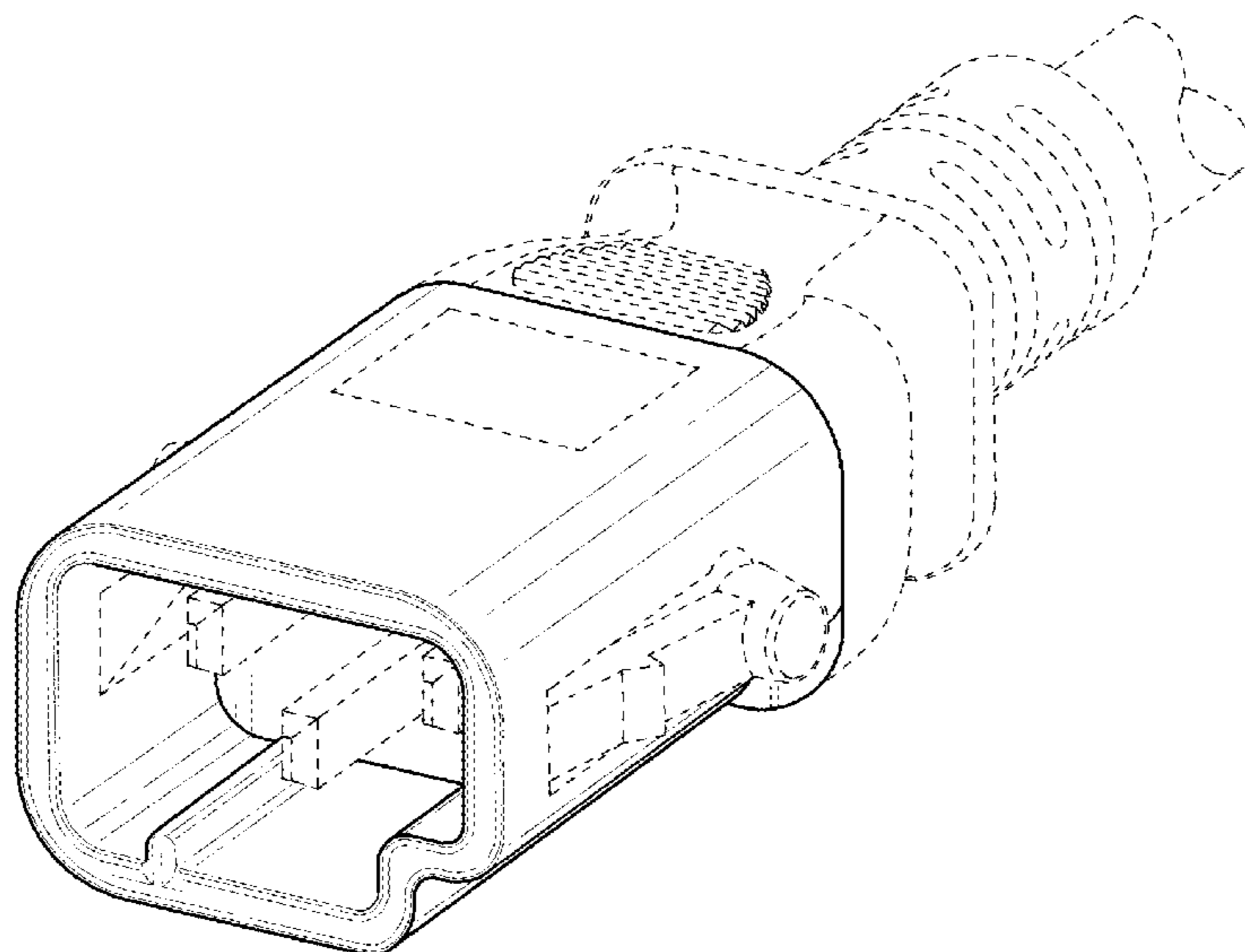
FIG. 14 is a left elevation view thereof;

FIG. 15 is a top plan view thereof; and,

FIG. 16 is a bottom plan view thereof.

In the drawings, the broken lines depict unclaimed subject matter only and form no part of the claimed design.

1 Claim, 10 Drawing Sheets



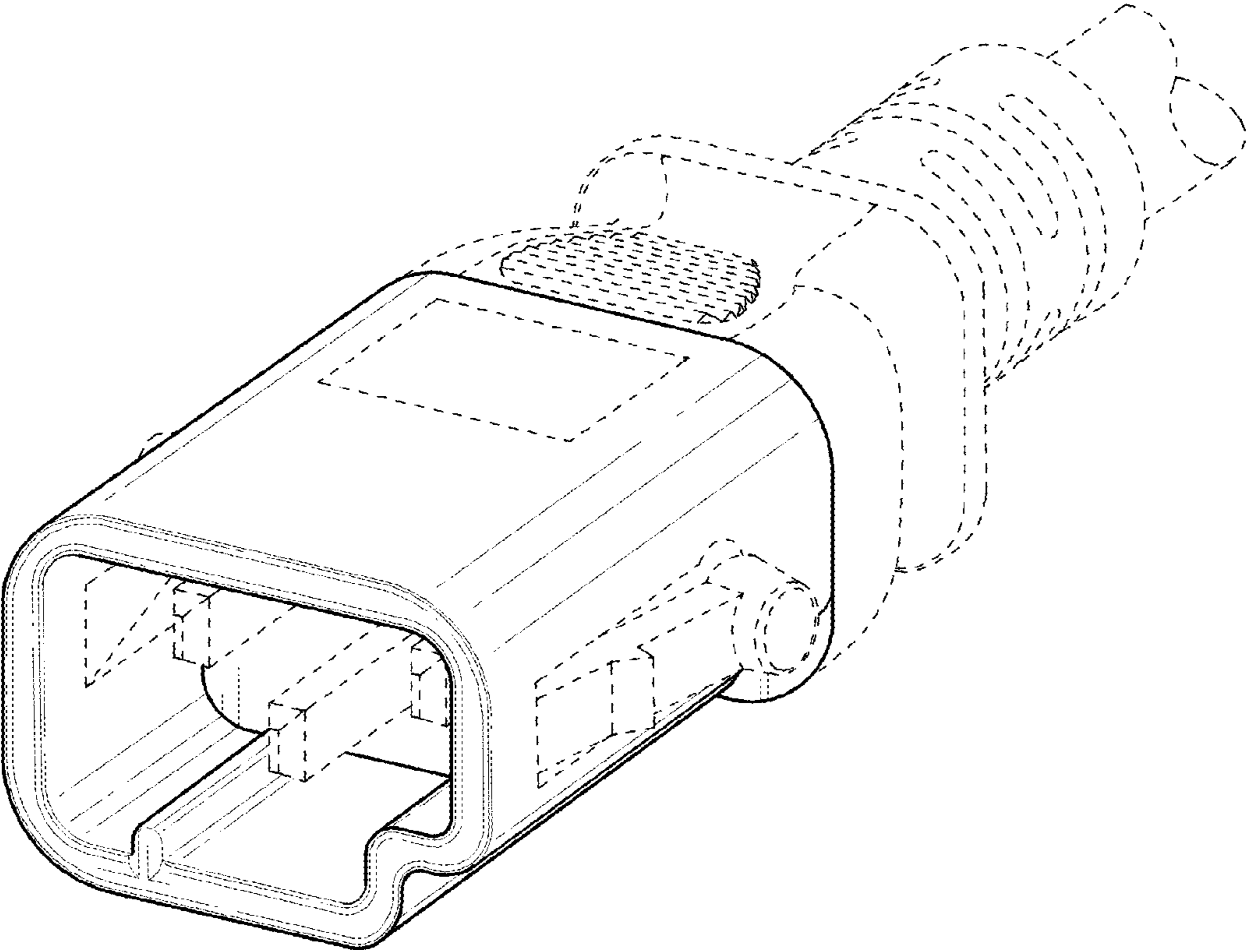


FIG. 1

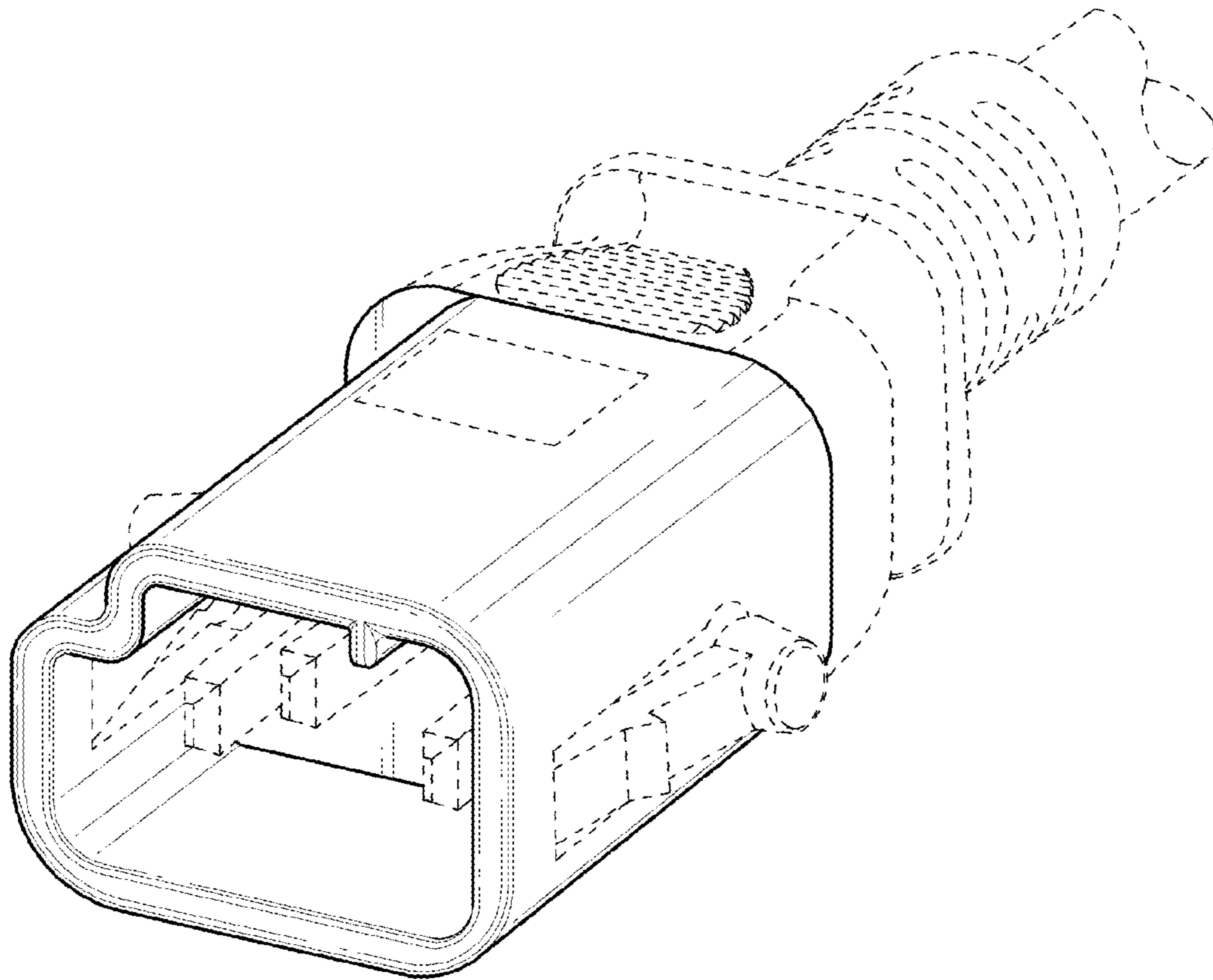


FIG. 2

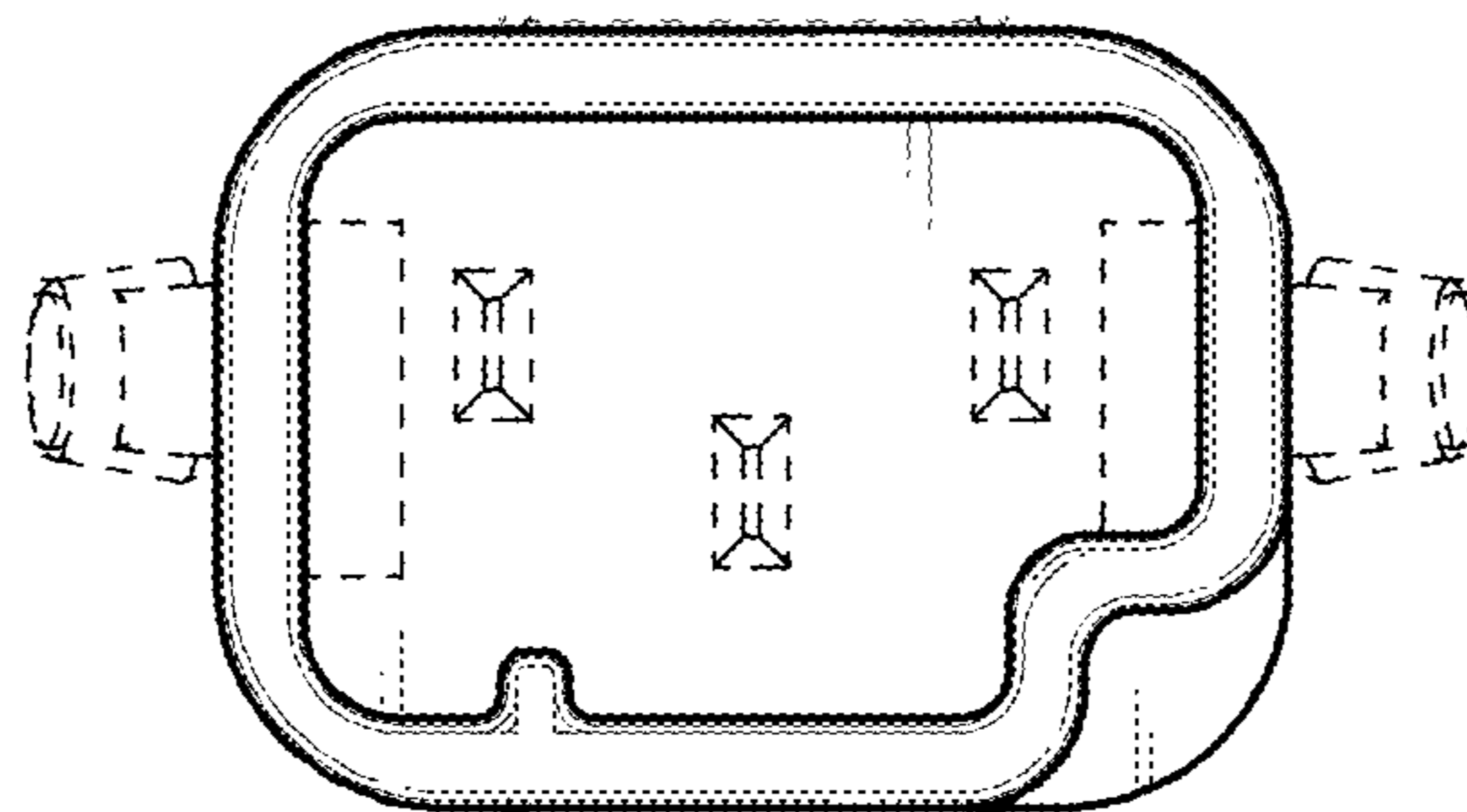


FIG. 3

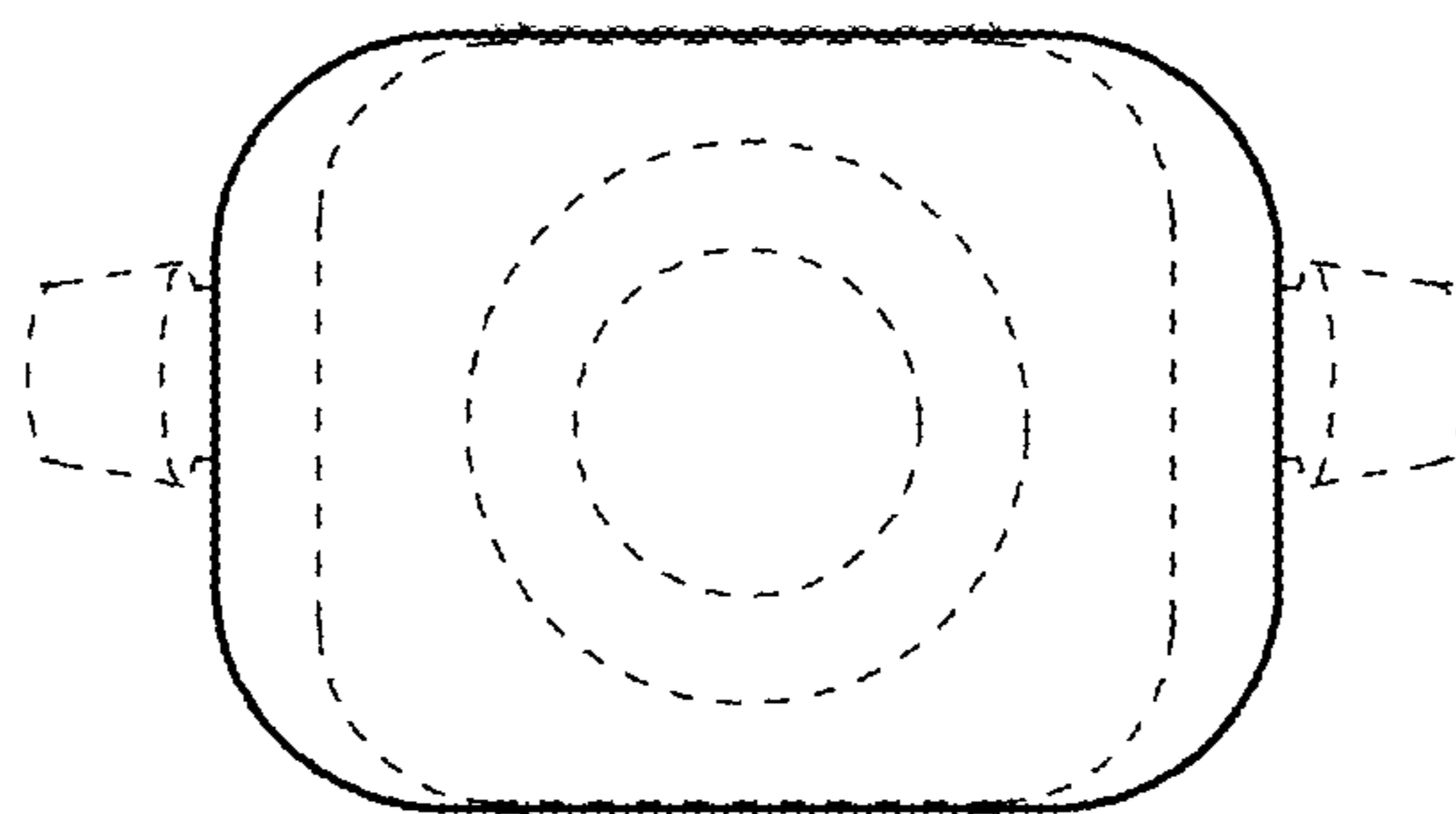


FIG. 4

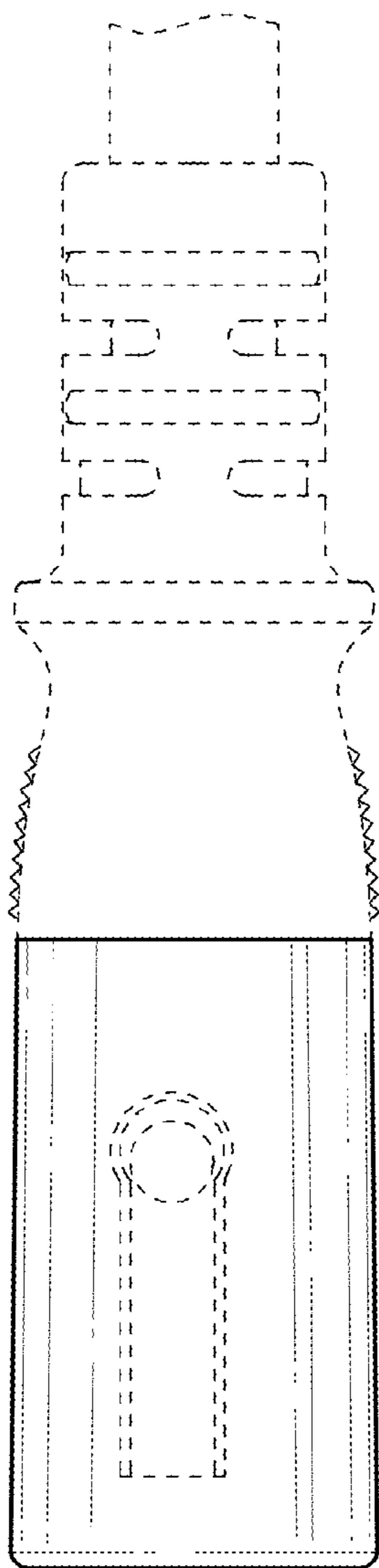


FIG. 5

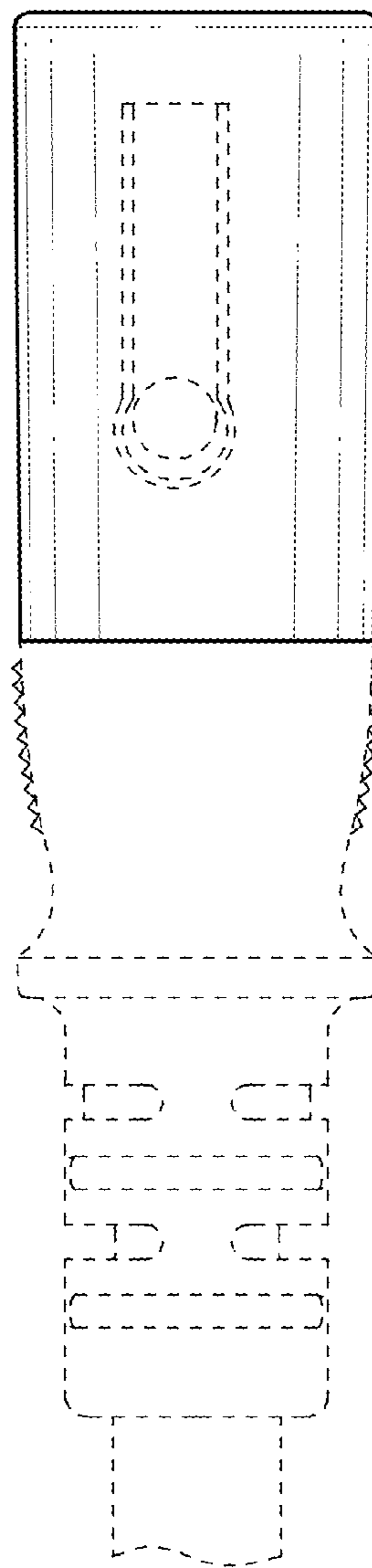


FIG. 6

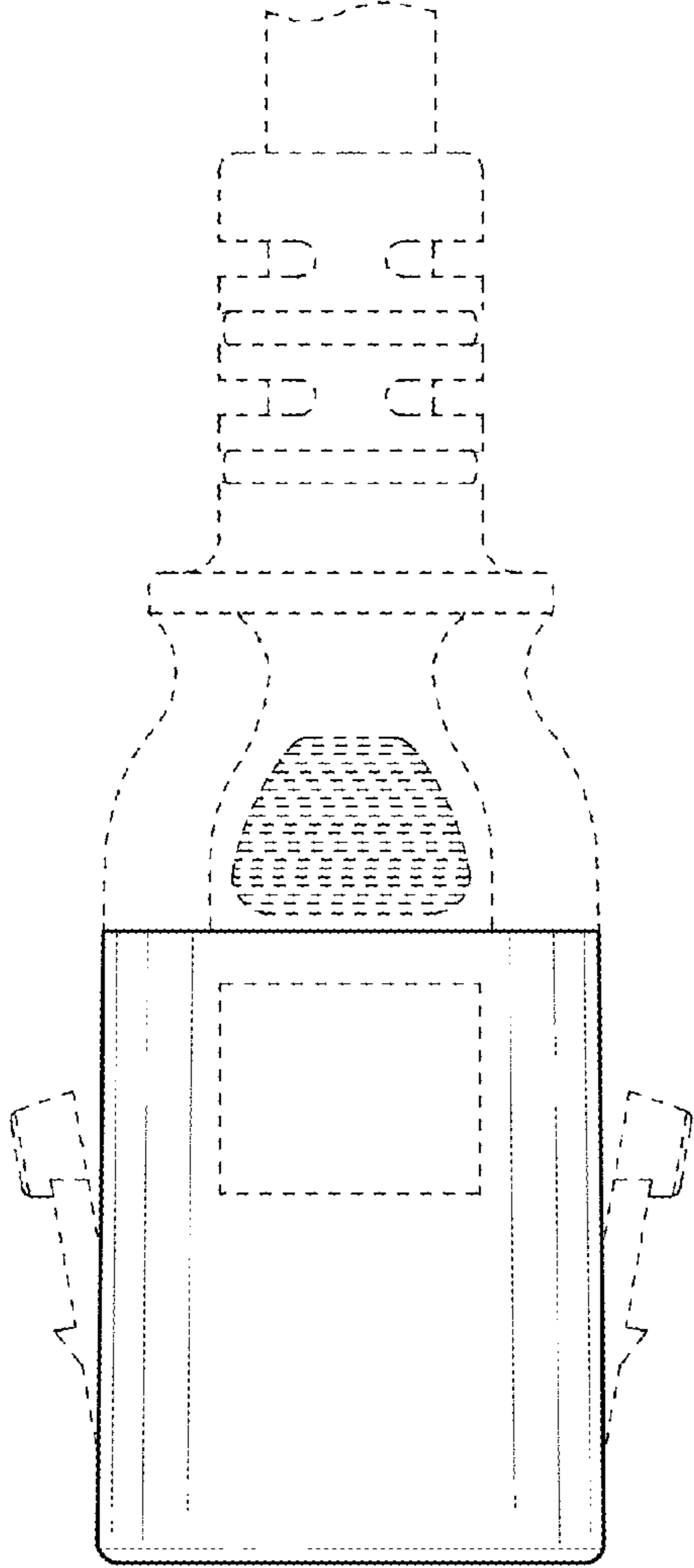


FIG. 7

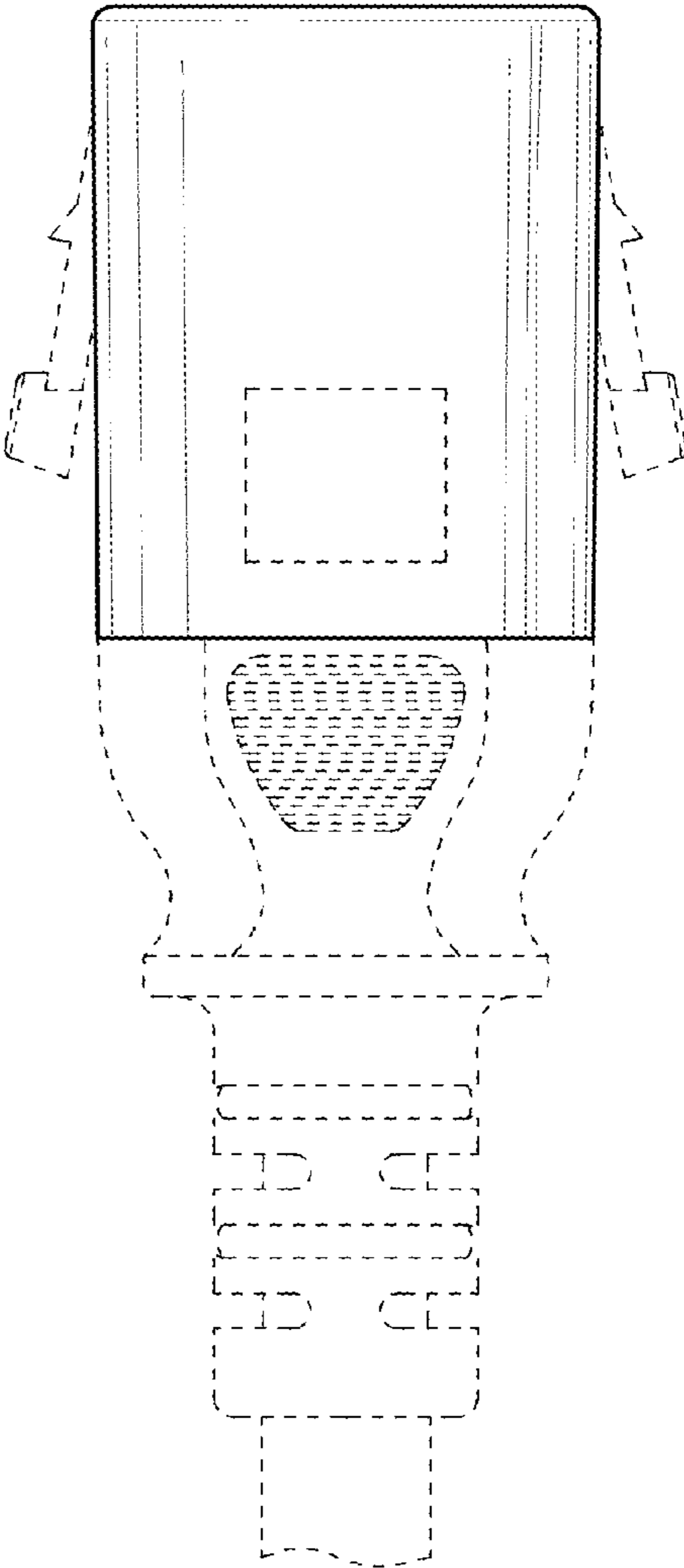


FIG. 8

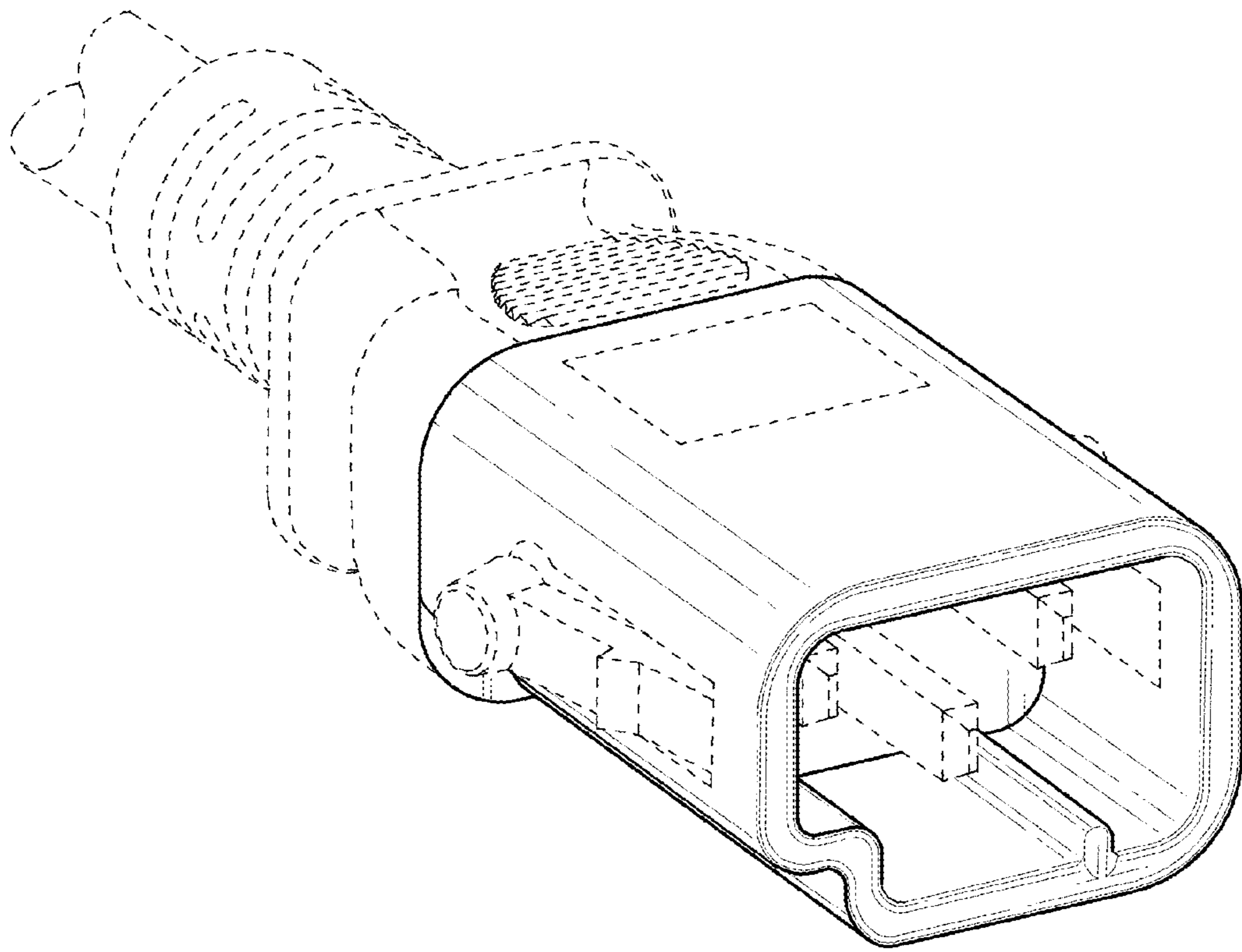


FIG. 9

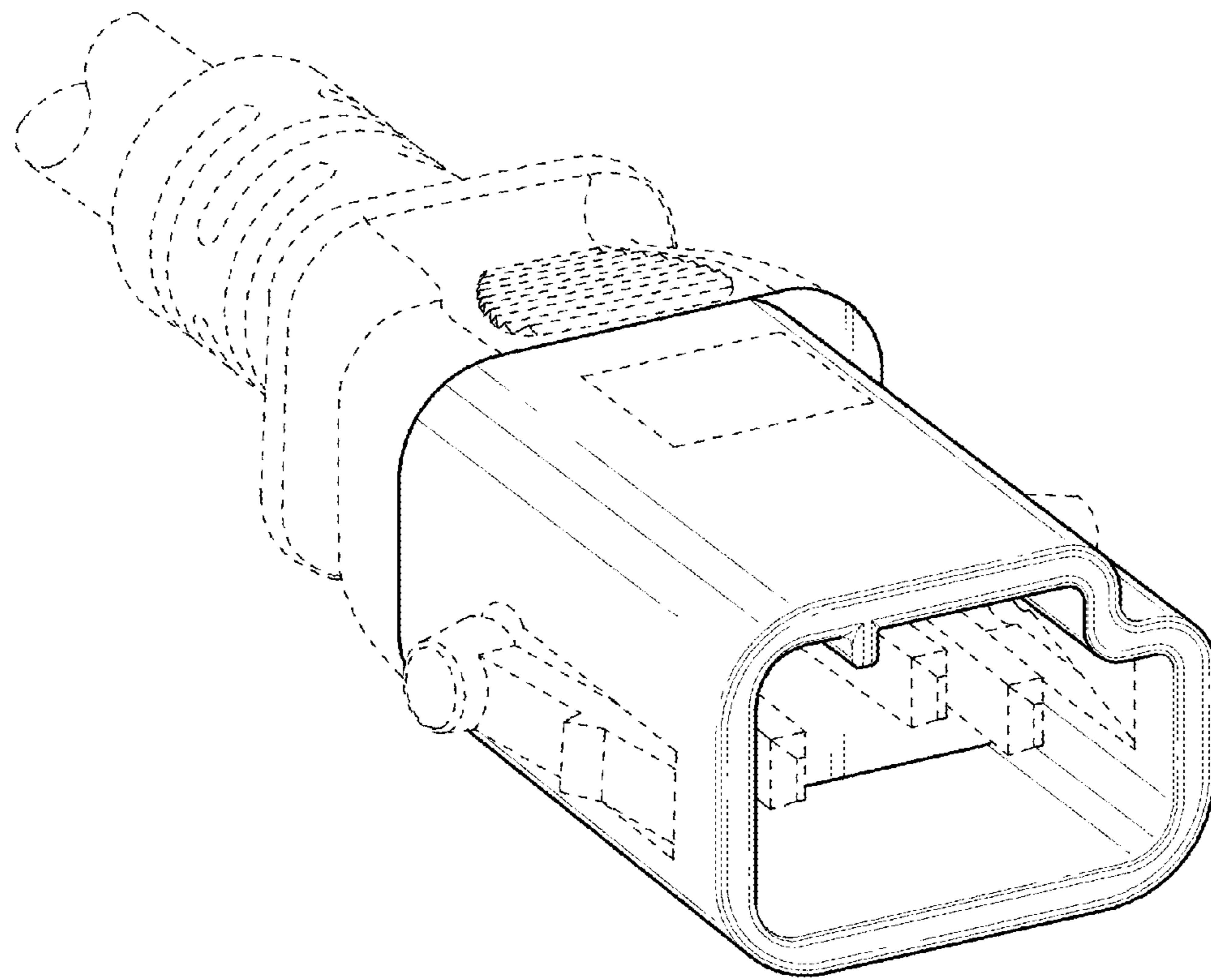


FIG. 10

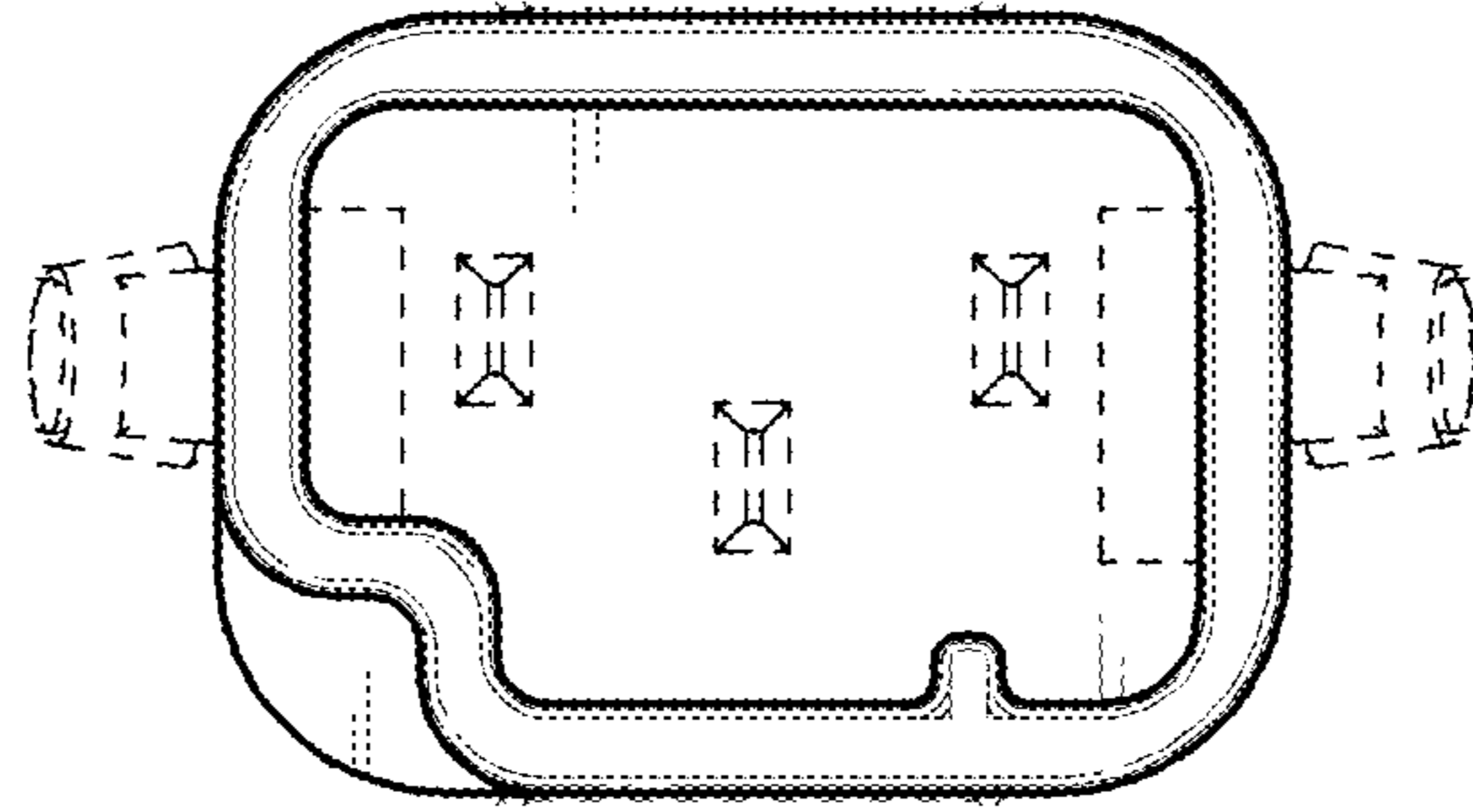


FIG. 11

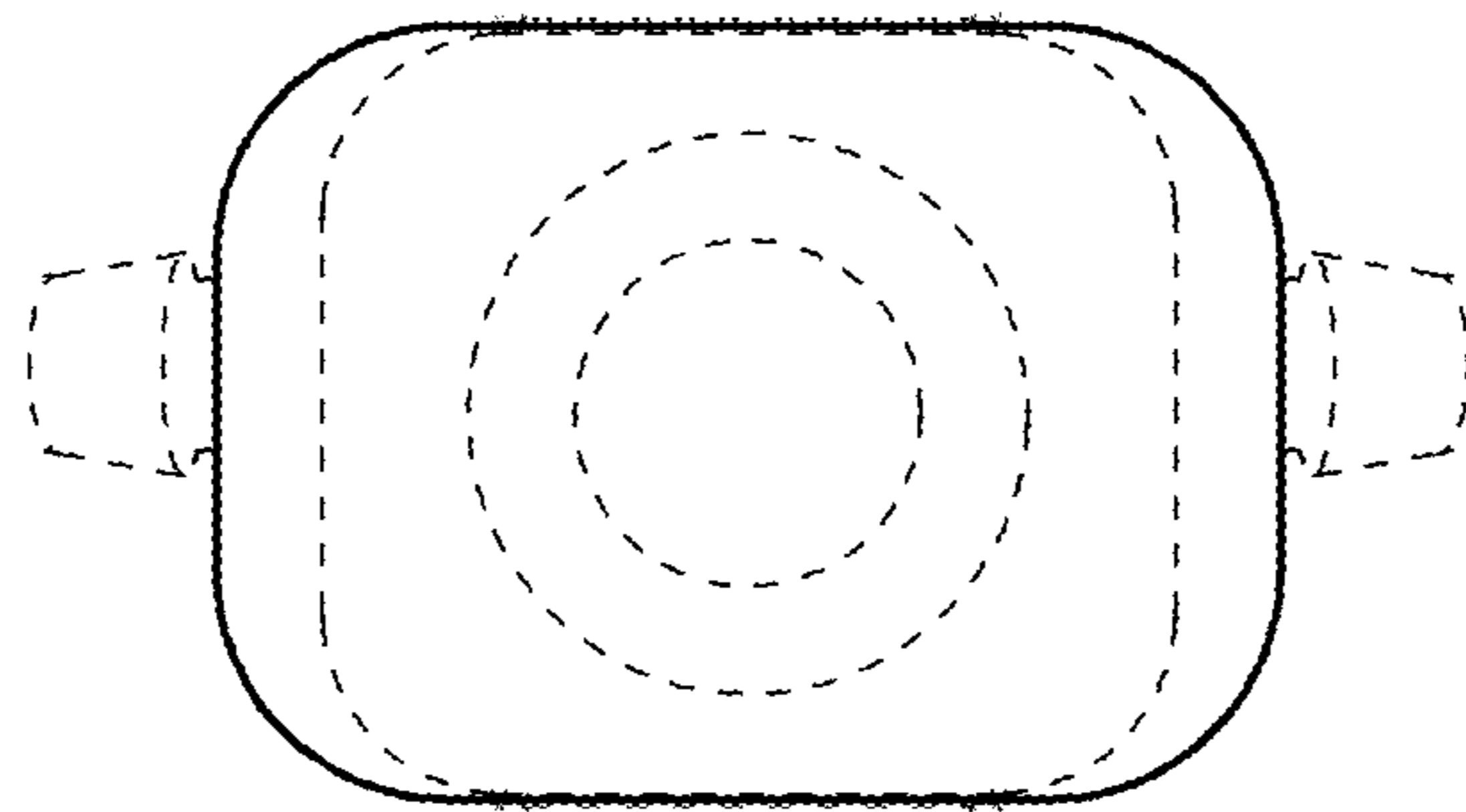


FIG. 12

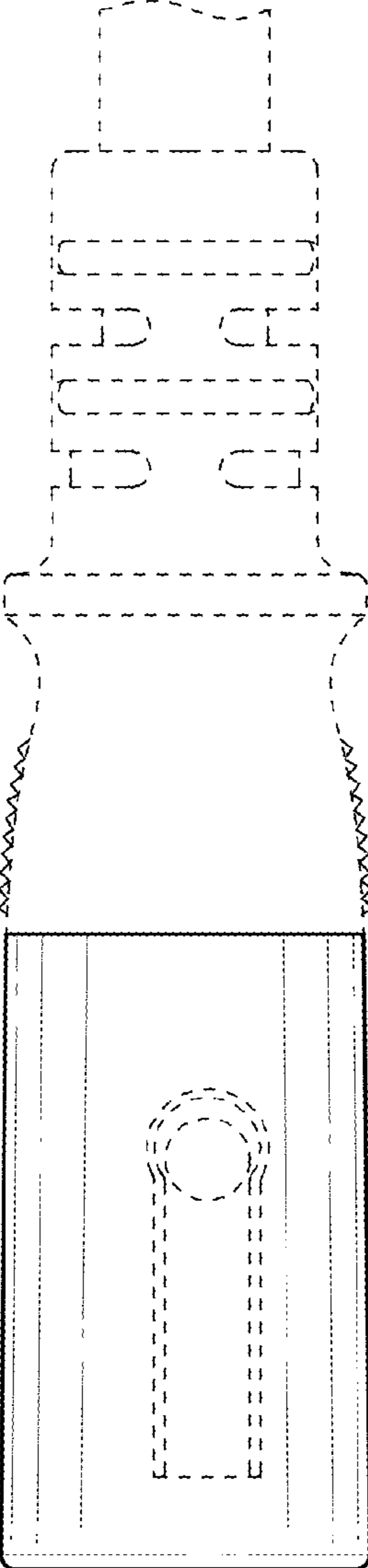


FIG. 13

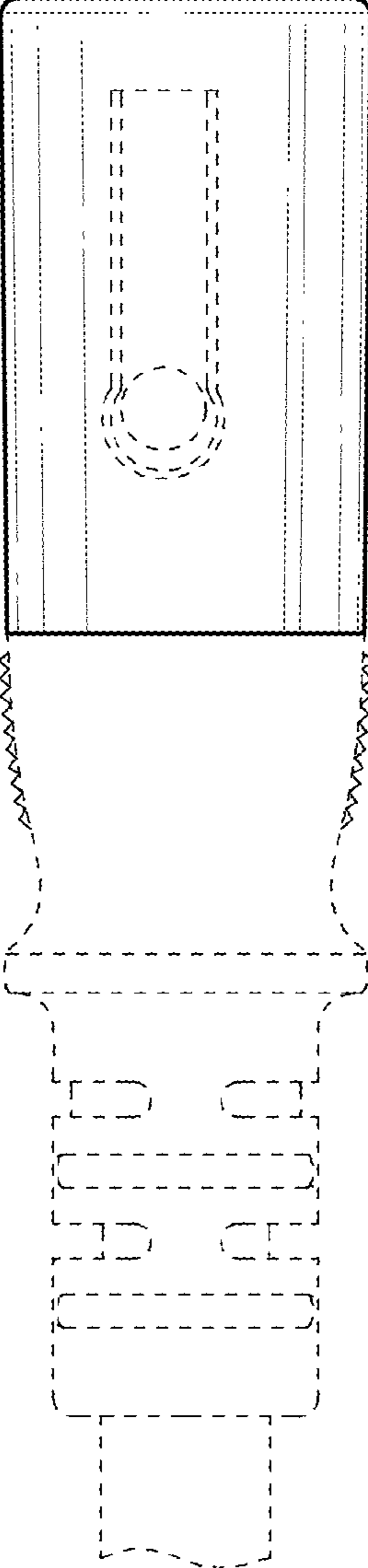


FIG. 14

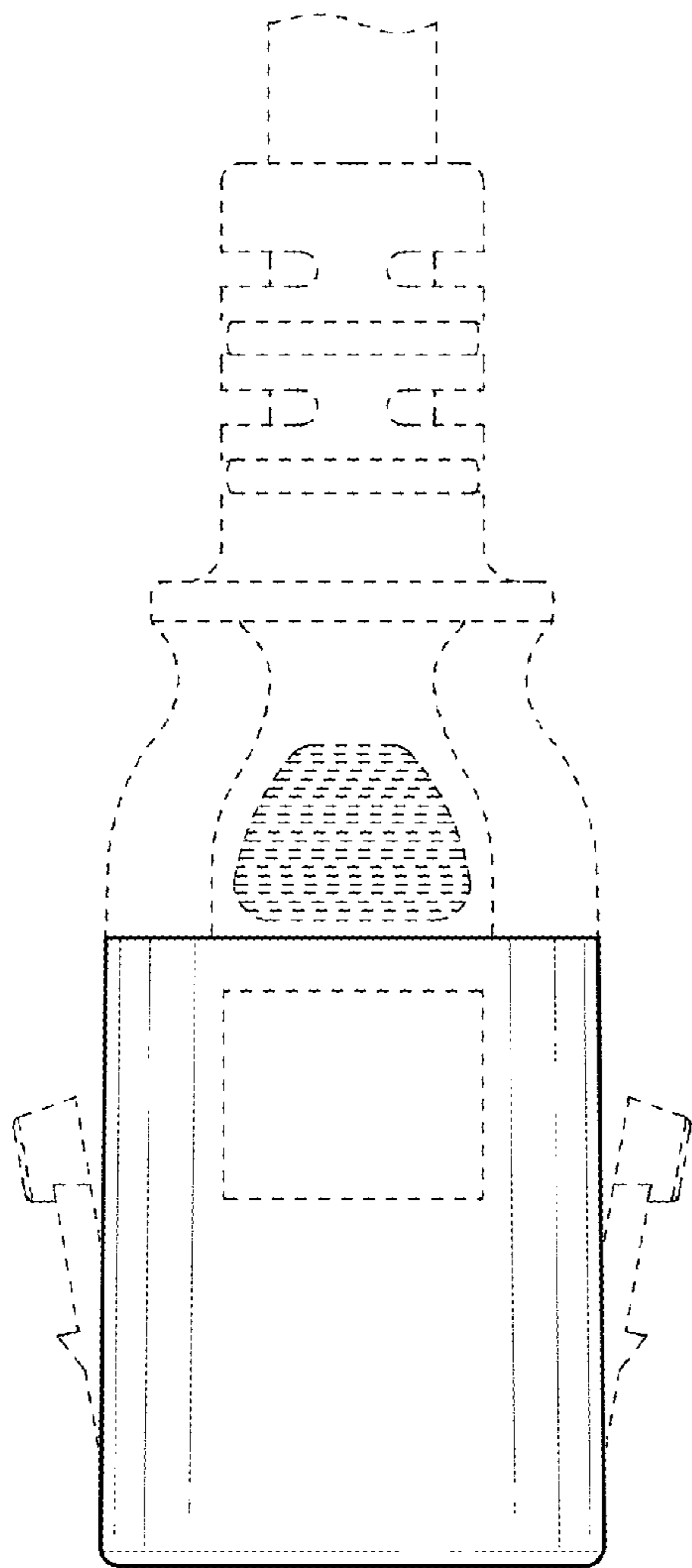


FIG. 15

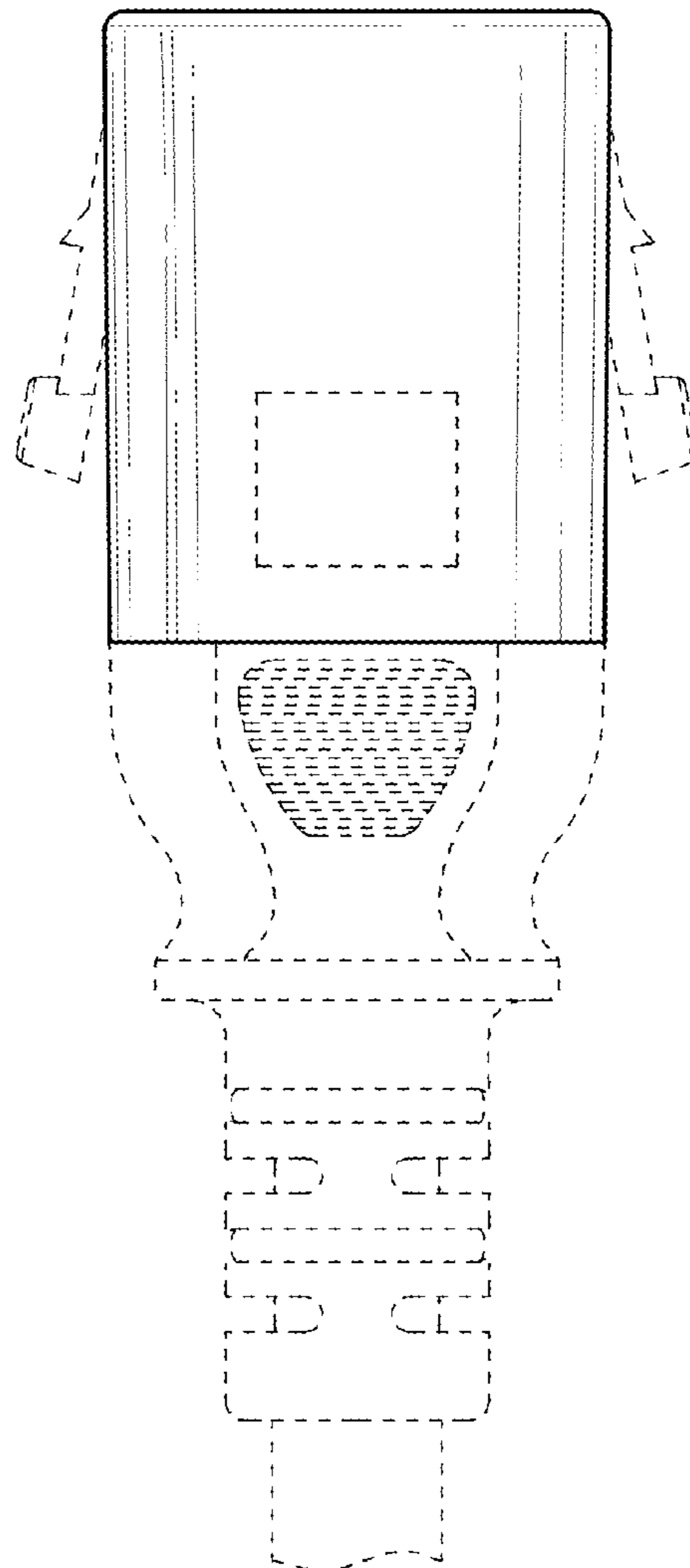


FIG. 16