



US00D730290S

(12) **United States Design Patent**
Tehranchi et al.

(10) **Patent No.:** **US D730,290 S**
(45) **Date of Patent:** **** May 26, 2015**

(54) **GATE OPERATOR CHASSIS**

(71) Applicant: **VIKING ACCESS SYSTEMS, LLC**,
Irvine, CA (US)

(72) Inventors: **Ali Tehranchi**, Irvine, CA (US); **Daniel Perez**, Irvine, CA (US); **Hassan Taheri**, Irvine, CA (US)

(73) Assignee: **Viking Access Systems, LLC**, Irvine, CA (US)

(**) Term: **14 Years**

(21) Appl. No.: **29/471,528**

(22) Filed: **Nov. 1, 2013**

(51) **LOC (10) Cl.** **13-01**

(52) **U.S. Cl.**
USPC **D13/122**

(58) **Field of Classification Search**

CPC E05F 15/63; E05F 15/635; E05F 15/643;
E05Y 2201/244; E05Y 2201/656; E05Y
2400/324; E05Y 2400/328; E05Y 2400/334;
E05Y 2900/40
USPC D13/101, 110, 112, 113, 114, 118, 122,
D13/184, 199; D15/199; 290/1 C, 1 D, 7;
49/28, 139; 318/266, 282, 471, 687;
74/608, 609

See application file for complete search history.

(56) **References Cited**

U.S. PATENT DOCUMENTS

4,564,791 A *	1/1986	Brickner	318/16
D348,075 S *	6/1994	Meyer	D15/199
D364,611 S *	11/1995	Leding et al.	D14/299
D390,188 S *	2/1998	Norfolk et al.	D13/112
5,869,940 A *	2/1999	Parsadayan	318/461
D458,235 S *	6/2002	Klein et al.	D13/184
D525,195 S *	7/2006	Palese	D13/112
D575,731 S *	8/2008	Gherlenda	D13/112
D654,871 S	2/2012	Horn		

* cited by examiner

Primary Examiner — Derrick Holland

(74) *Attorney, Agent, or Firm* — Jafari Law Group, Inc.;
David V. Jafari

(57) **CLAIM**

The ornamental design for a gate operator chassis, as shown and described.

DESCRIPTION

FIG. 1 illustrates a perspective view of the ornamental gate operator chassis.

FIG. 2 illustrates a front view thereof.

FIG. 3 illustrates a left-side view thereof.

FIG. 4 illustrates a right-side view thereof.

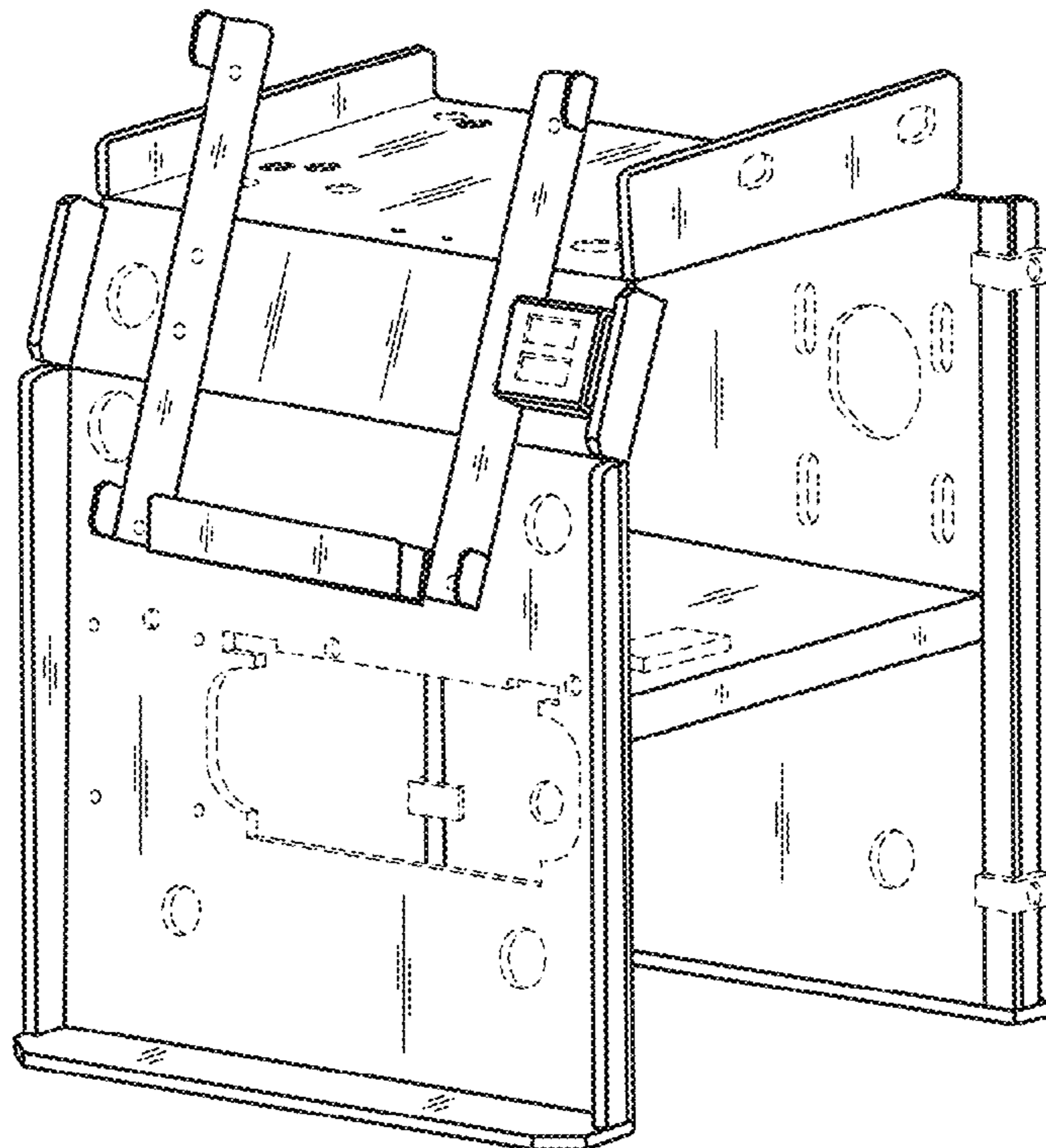
FIG. 5 illustrates a rear view thereof.

FIG. 6 illustrates a top view thereof; and,

FIG. 7 illustrates a bottom view thereof.

The broken lines shown represent unclaimed subject matter and form no part of the claimed design.

1 Claim, 3 Drawing Sheets



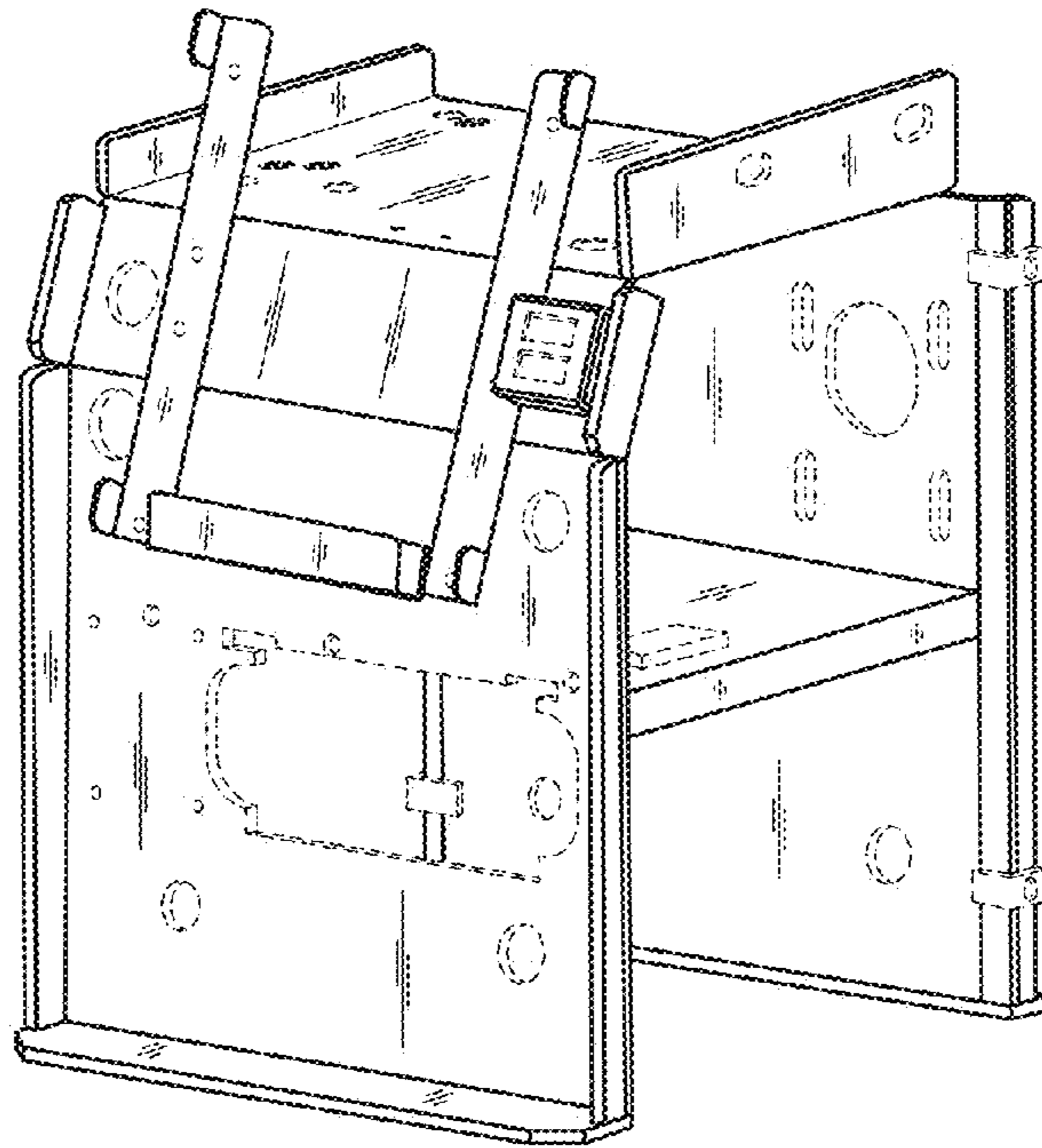


FIG. 1

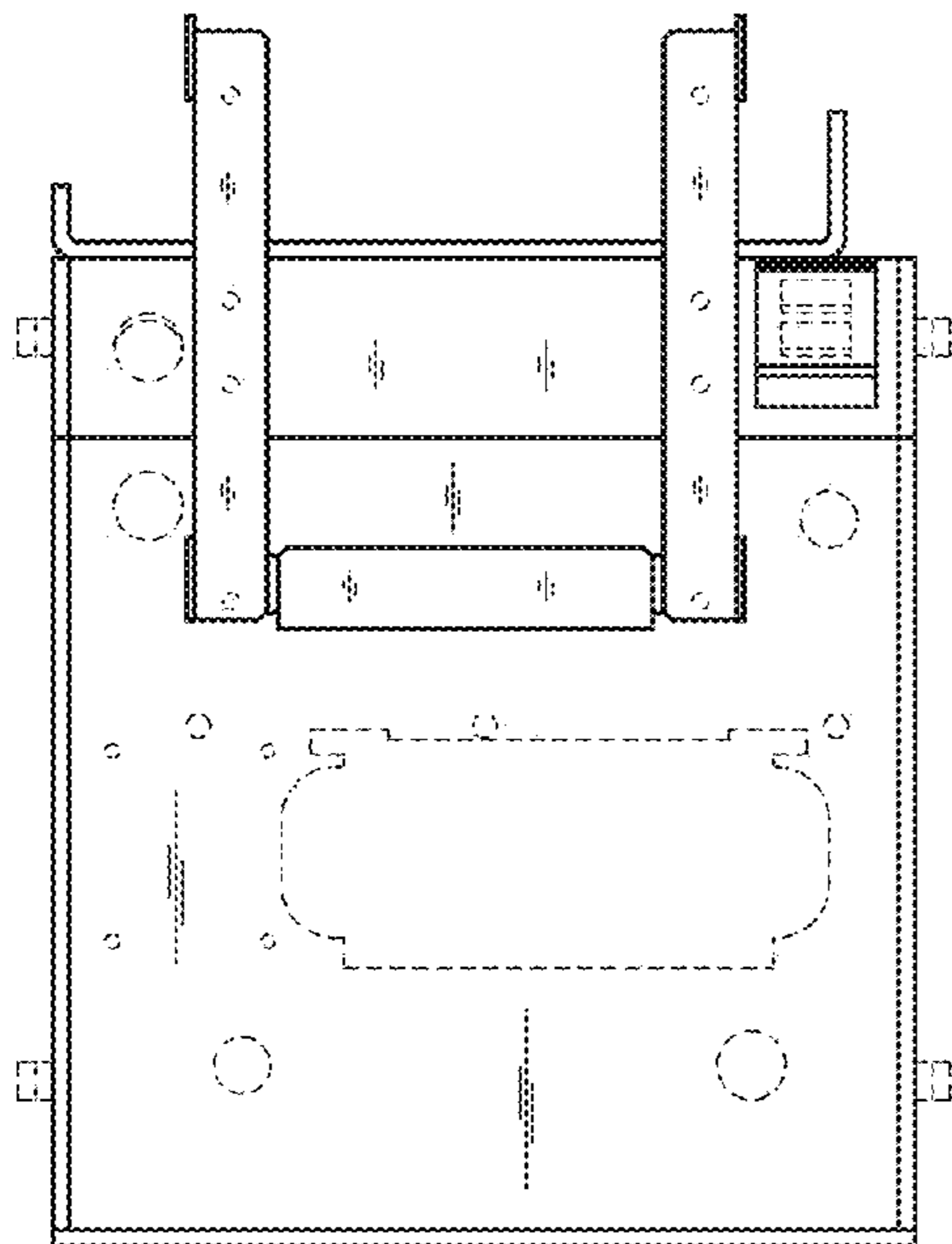


FIG. 2

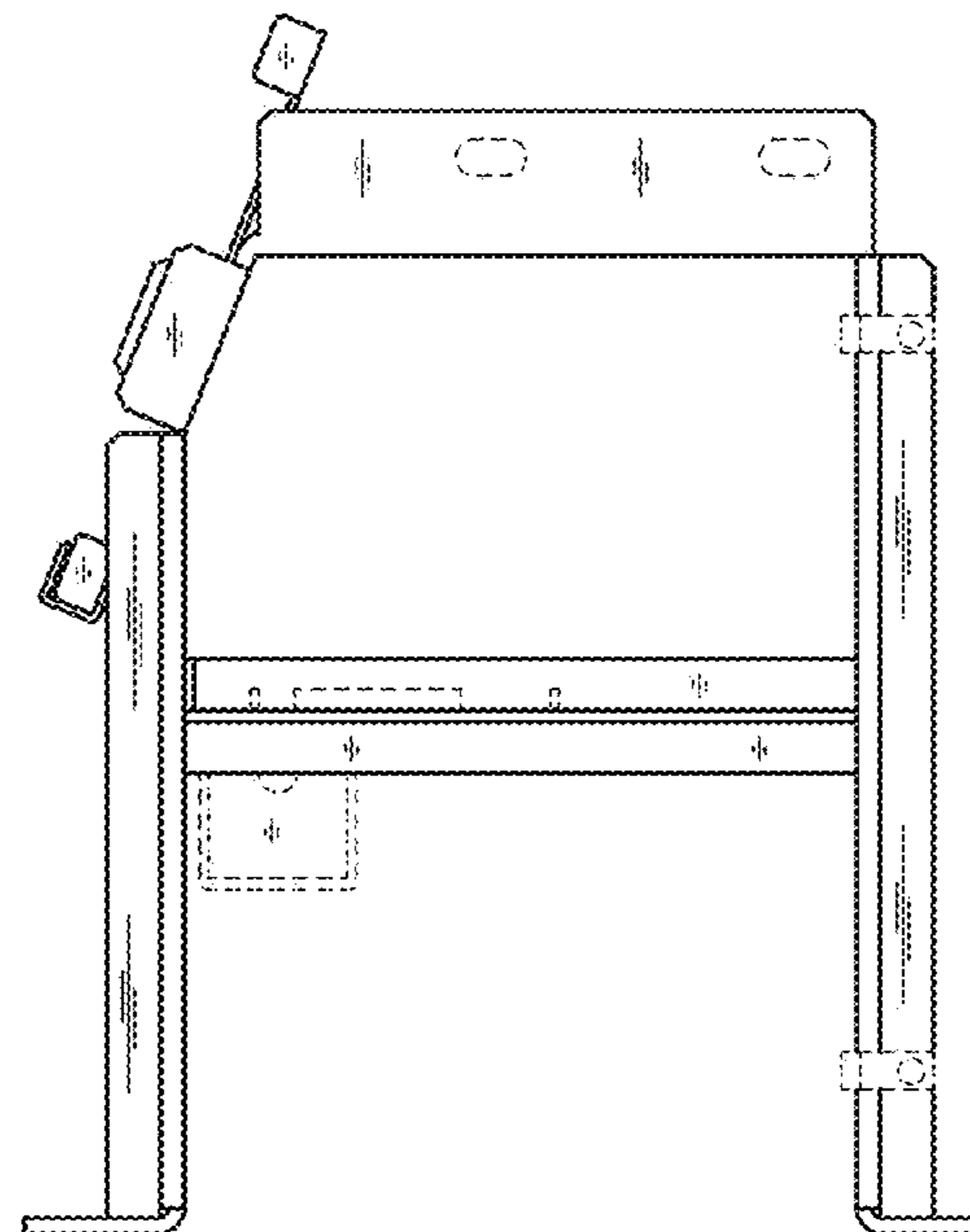


FIG. 3

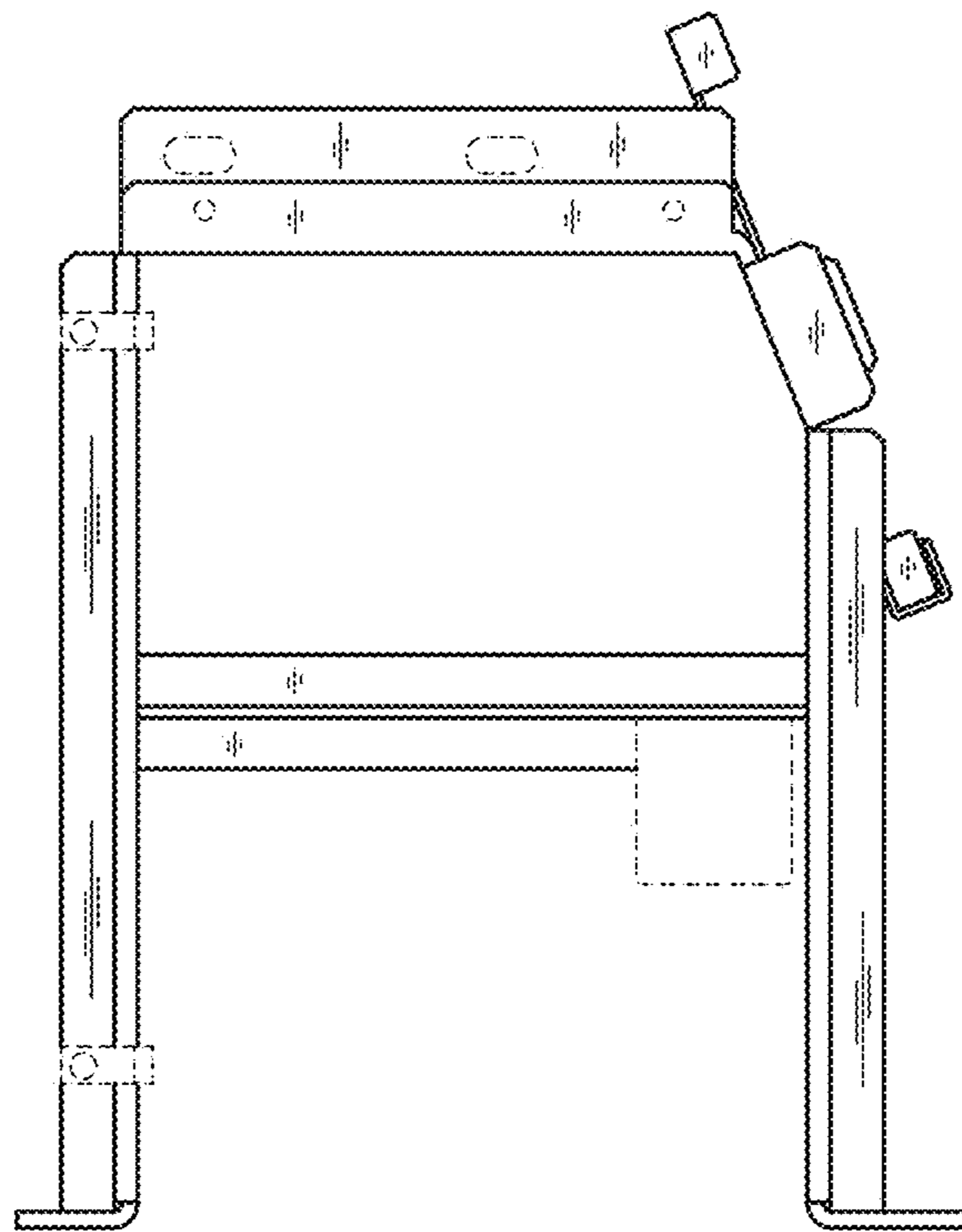


FIG. 4

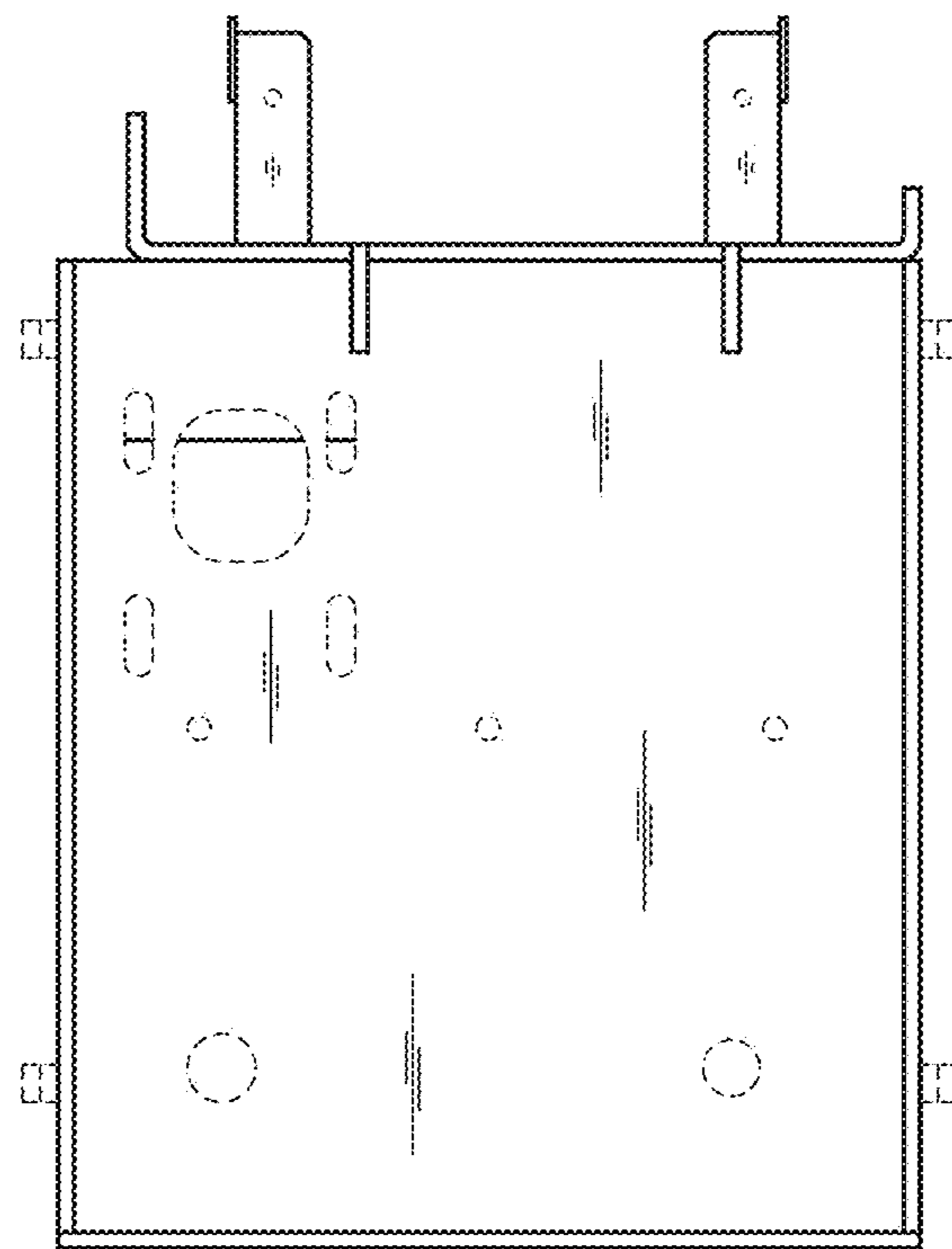


FIG. 5

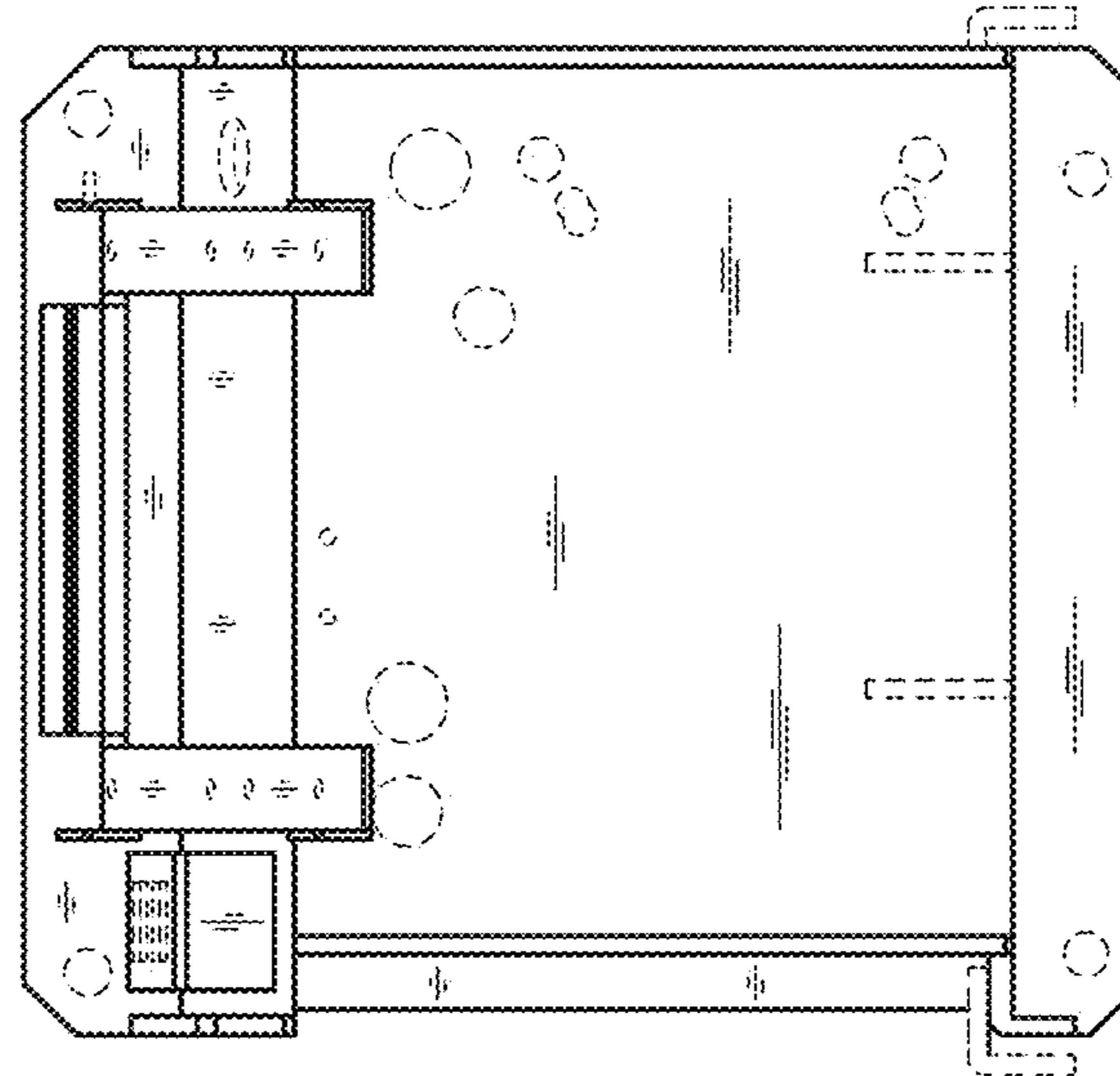


FIG. 6

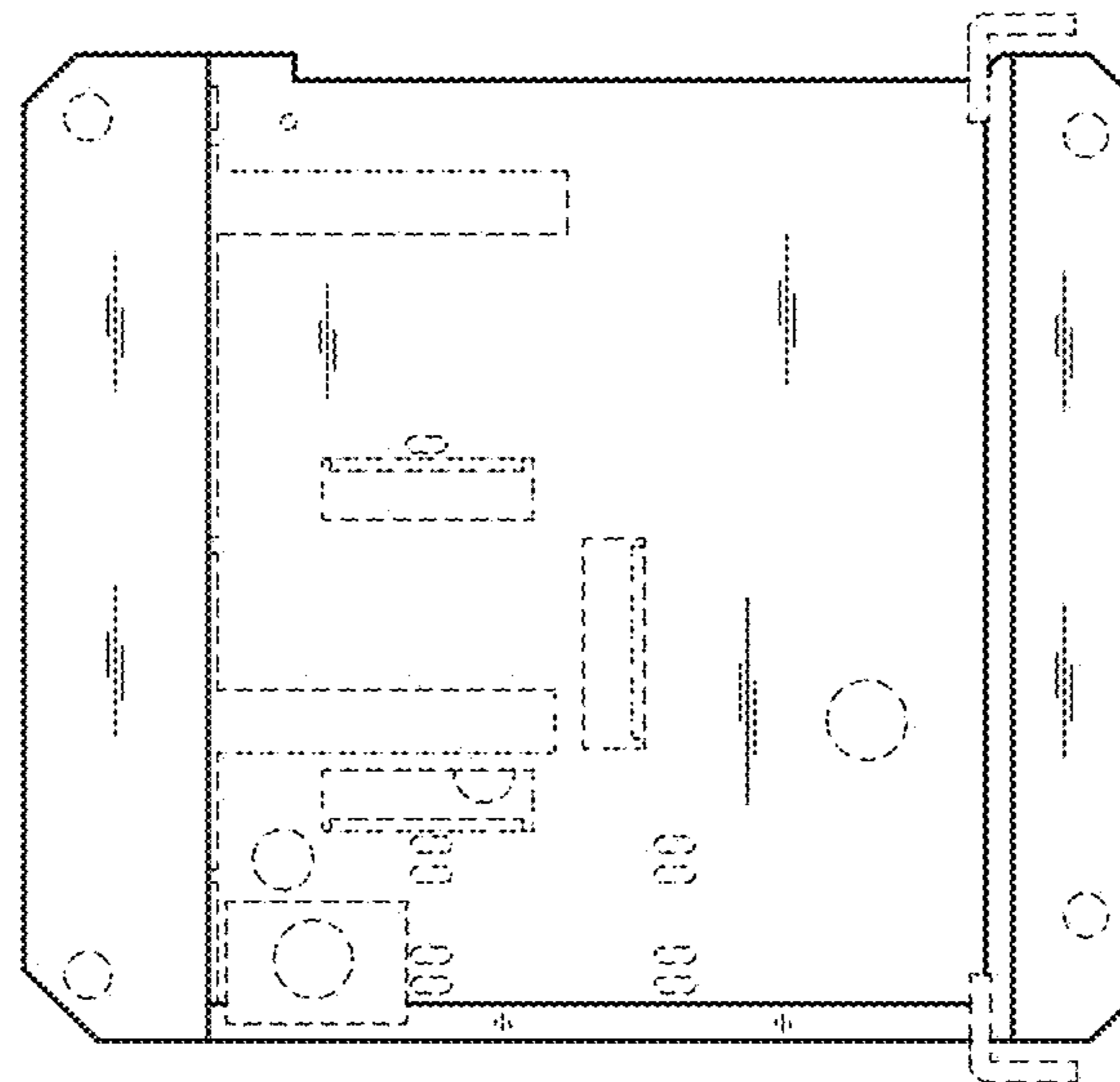


FIG. 7