



US00D730289S

(12) **United States Design Patent**  
**Ilkhanov et al.**

(10) **Patent No.:** **US D730,289 S**  
(45) **Date of Patent:** **\*\* May 26, 2015**

- (54) **FEMALE CONNECTOR**
- (71) Applicant: **Bren-Tronics, Inc.**, Commack, NY (US)
- (72) Inventors: **Azer Ilkhanov**, Brooklyn, NY (US);  
**Peter J. Burke**, East Northport, NY (US); **Sai Fung**, Melville, NY (US); **Leo Brenna**, Northport, NY (US)
- (73) Assignee: **Bren-Tronics, Inc.**, Commack, NY (US)
- (\*\*) Term: **14 Years**
- (21) Appl. No.: **29/508,309**
- (22) Filed: **Nov. 5, 2014**

|              |    |   |         |                 |       |         |
|--------------|----|---|---------|-----------------|-------|---------|
| D574,856     | S  | * | 8/2008  | Chu             | ..... | D15/9   |
| D574,857     | S  | * | 8/2008  | Chu             | ..... | D15/9   |
| D589,063     | S  | * | 3/2009  | Chu             | ..... | D15/9   |
| D618,176     | S  | * | 6/2010  | Kato et al.     | ..... | D13/146 |
| D621,420     | S  | * | 8/2010  | Jiang           | ..... | D15/9   |
| 7,980,886    | B2 | * | 7/2011  | Liu             | ..... | 439/488 |
| D648,748     | S  | * | 11/2011 | Chu             | ..... | D15/9   |
| 8,257,101    | B2 | * | 9/2012  | Ichio           | ..... | 439/206 |
| D678,914     | S  | * | 3/2013  | Chen            | ..... | D15/9   |
| D685,004     | S  | * | 6/2013  | Chen            | ..... | D15/9   |
| D694,273     | S  | * | 11/2013 | Chen            | ..... | D15/9   |
| 2013/0241160 | A1 | * | 9/2013  | Ilkhanov et al. | ..... | 277/650 |

**OTHER PUBLICATIONS**

Benchmark Microelectronics Inc., et al. "System Management Bus Specification, Revision 1.1," Dec. 11, 1998.

\* cited by examiner

*Primary Examiner* — Adir Aronovich

*Assistant Examiner* — Ramzi Almatrahi

(74) *Attorney, Agent, or Firm* — Keusey & Associates, P.C.

**Related U.S. Application Data**

(63) Continuation-in-part of application No. 29/439,313, filed on Dec. 10, 2012, now Pat. No. Des. 717,246.

(51) **LOC (10) Cl.** ..... **13-03**

(52) **U.S. Cl.**  
USPC ..... **D13/120**

(58) **Field of Classification Search**  
CPC ..... H01R 23/722; H01R 13/5227; H01R 13/5219; H01R 23/005; H01R 23/025  
USPC ..... D13/118-120, 133, 134, 146, 147, 149, D13/154, 184, 199; D15/9; D24/107; 277/650; 439/66, 206, 277, 278, 353, 439/374, 378, 379, 488, 527, 533, 586, 595, 439/597, 598, 600, 682, 685, 752, 894  
See application file for complete search history.

(57) **CLAIM**

We claim the ornamental design for a female connector, as shown and described.

**DESCRIPTION**

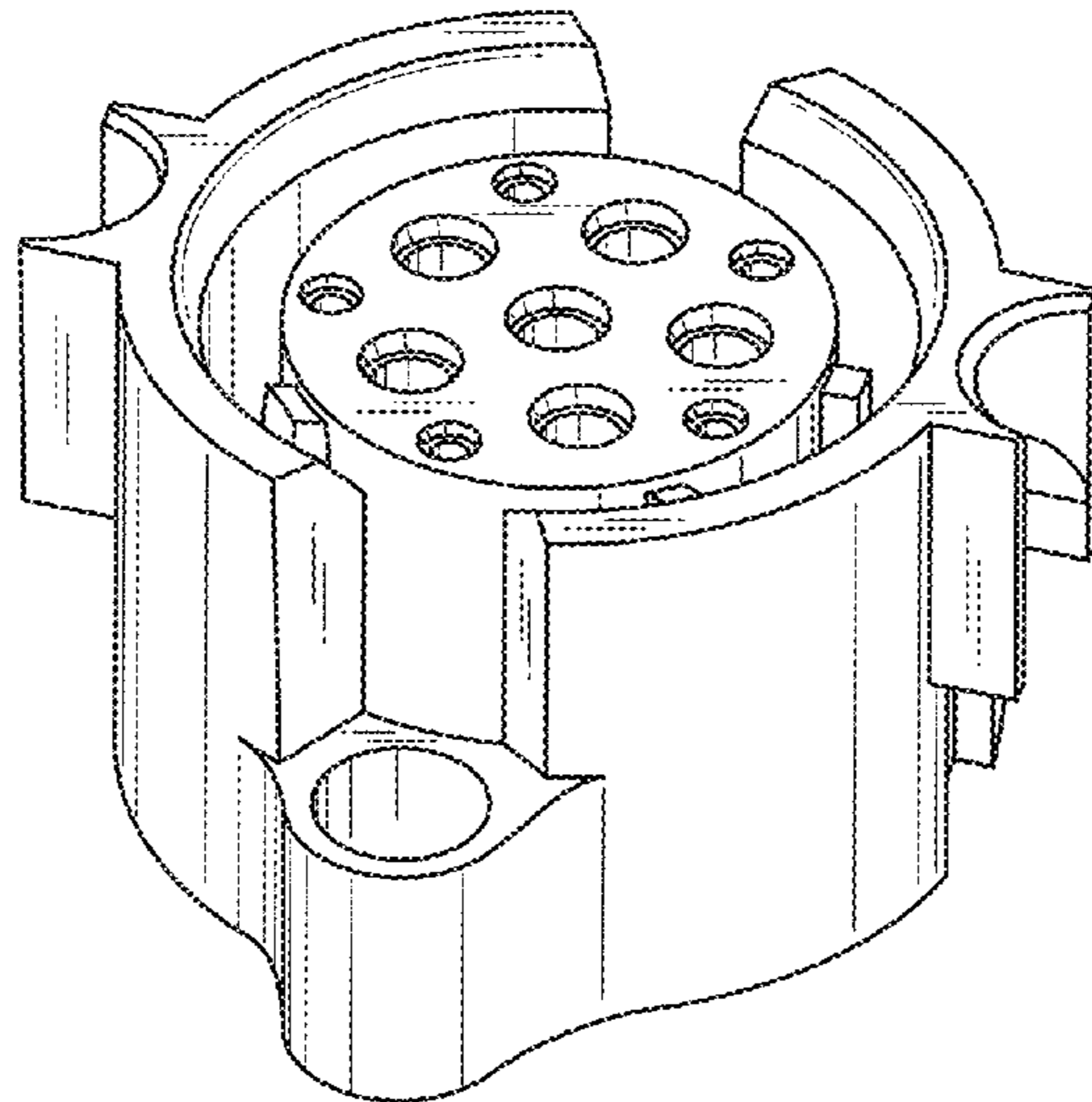
FIG. 1 is a front, top and left side perspective view of a female connector showing our new design.  
FIG. 2 is a top plan view thereof.  
FIG. 3 is a front elevational view thereof, the undisclosed rear elevational view being identical thereto.  
FIG. 4 is a bottom plan view thereof; and,  
FIG. 5 is a left side elevational view thereof, the right side elevational view being identical thereto.  
The broken lines of FIG. 4 depict portions of the female connector in which the design is embodied and form no part of the claimed design.

(56) **References Cited**

**U.S. PATENT DOCUMENTS**

|           |    |   |        |                 |       |         |
|-----------|----|---|--------|-----------------|-------|---------|
| 5,496,194 | A  | * | 3/1996 | Huss, Jr.       | ..... | 439/595 |
| 6,262,562 | B1 |   | 7/2001 | Cummings et al. |       |         |
| 6,509,717 | B2 |   | 1/2003 | Lee             |       |         |

**1 Claim, 2 Drawing Sheets**



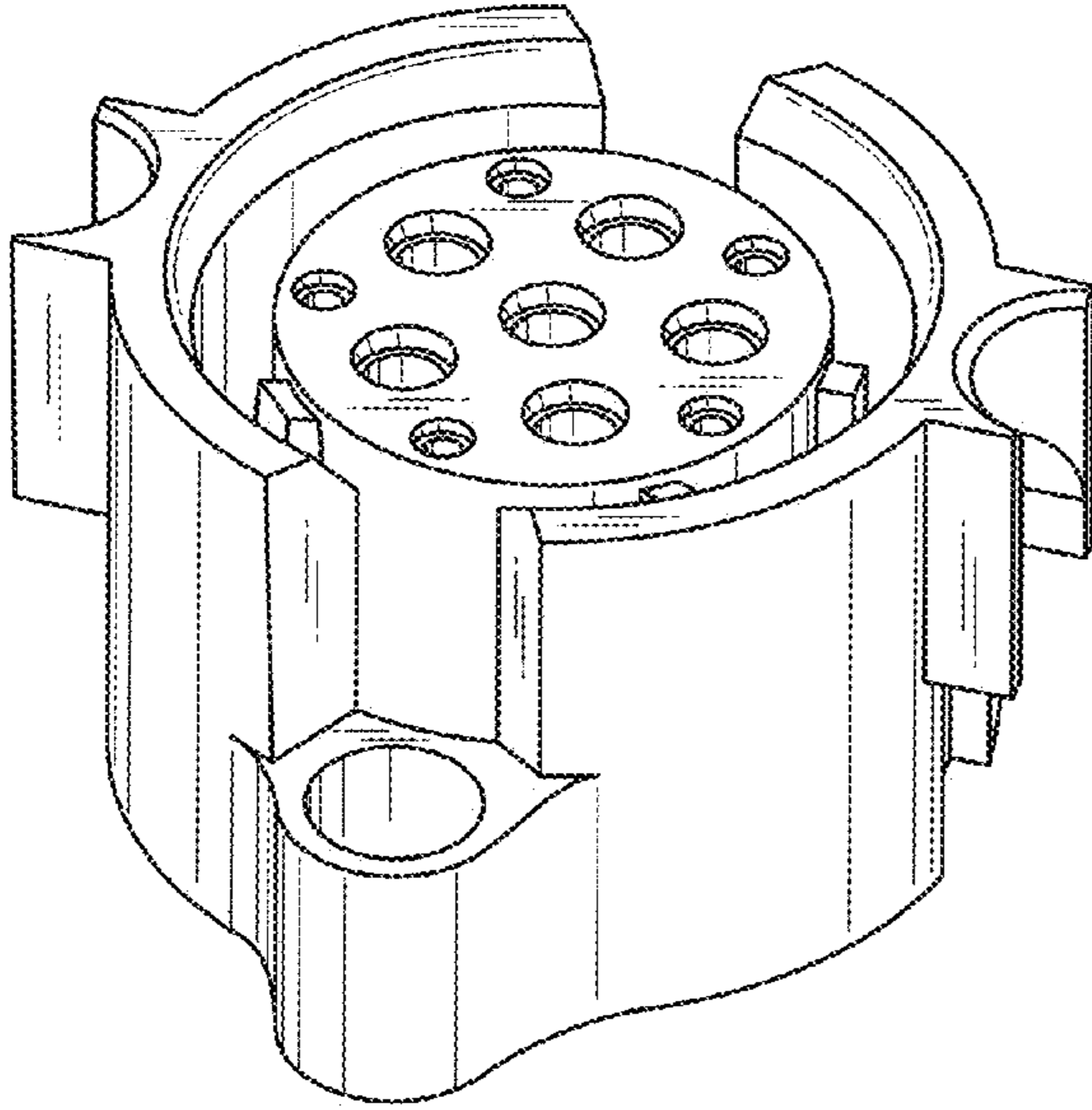


FIG. 1

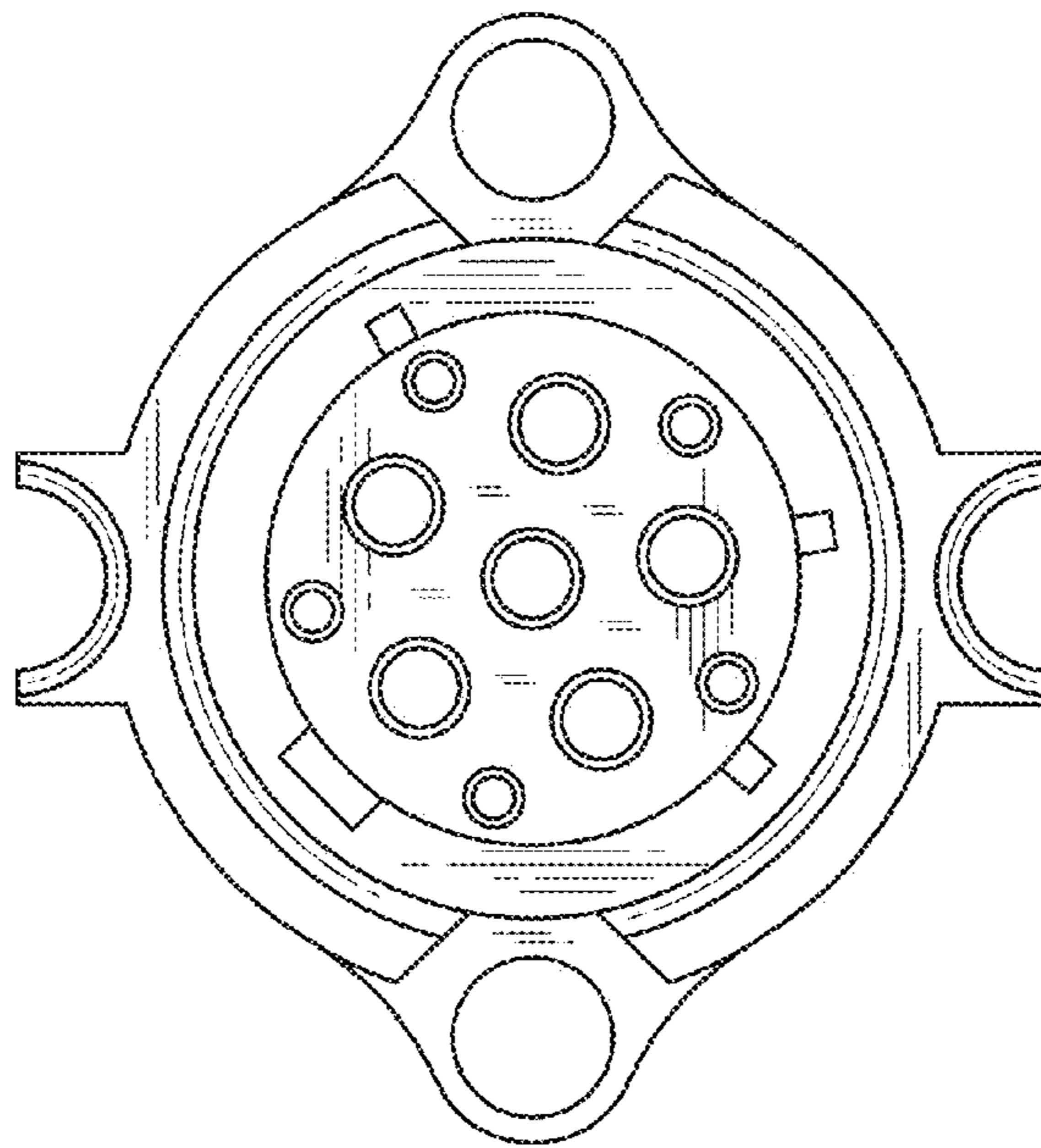


FIG. 2

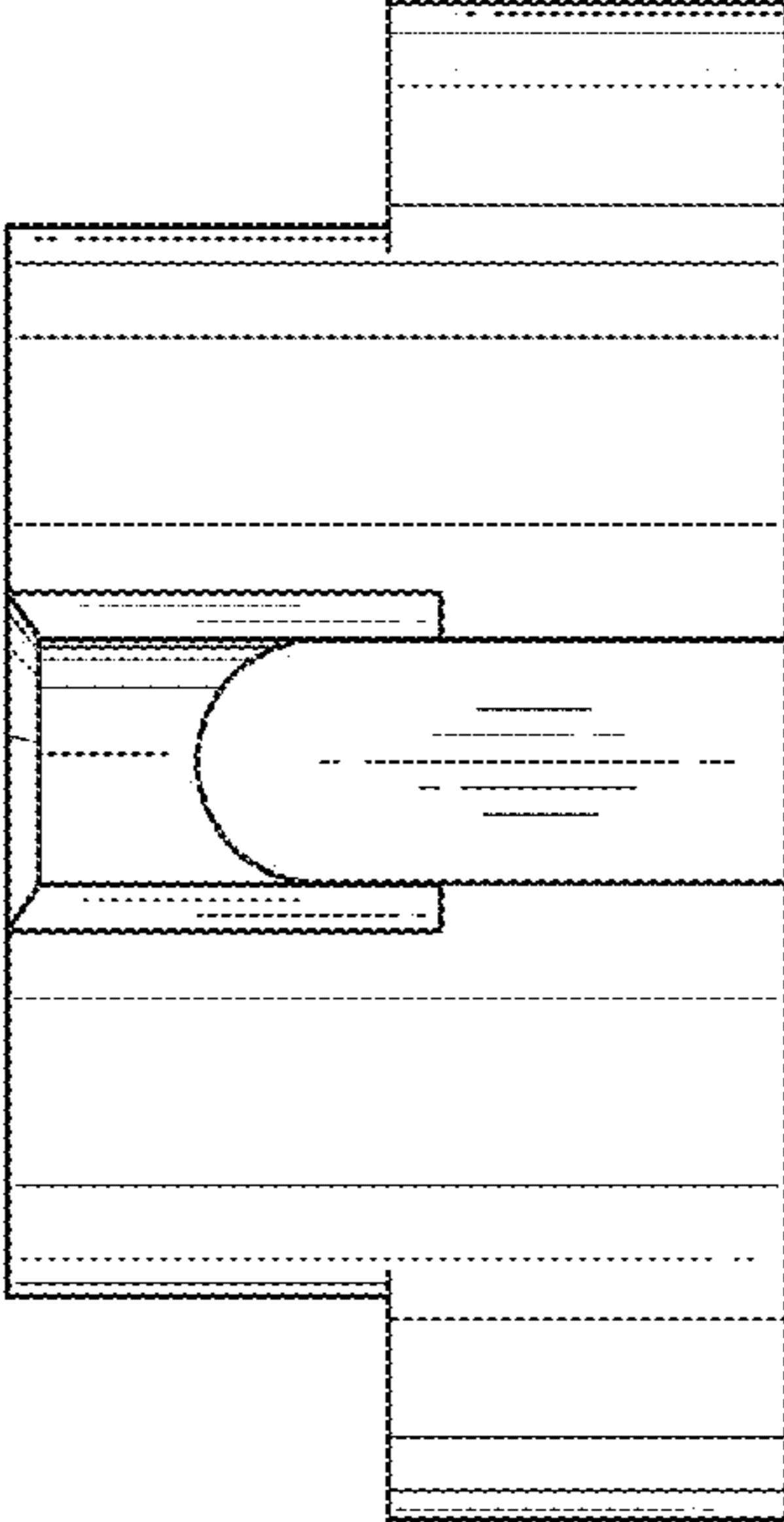


FIG. 3

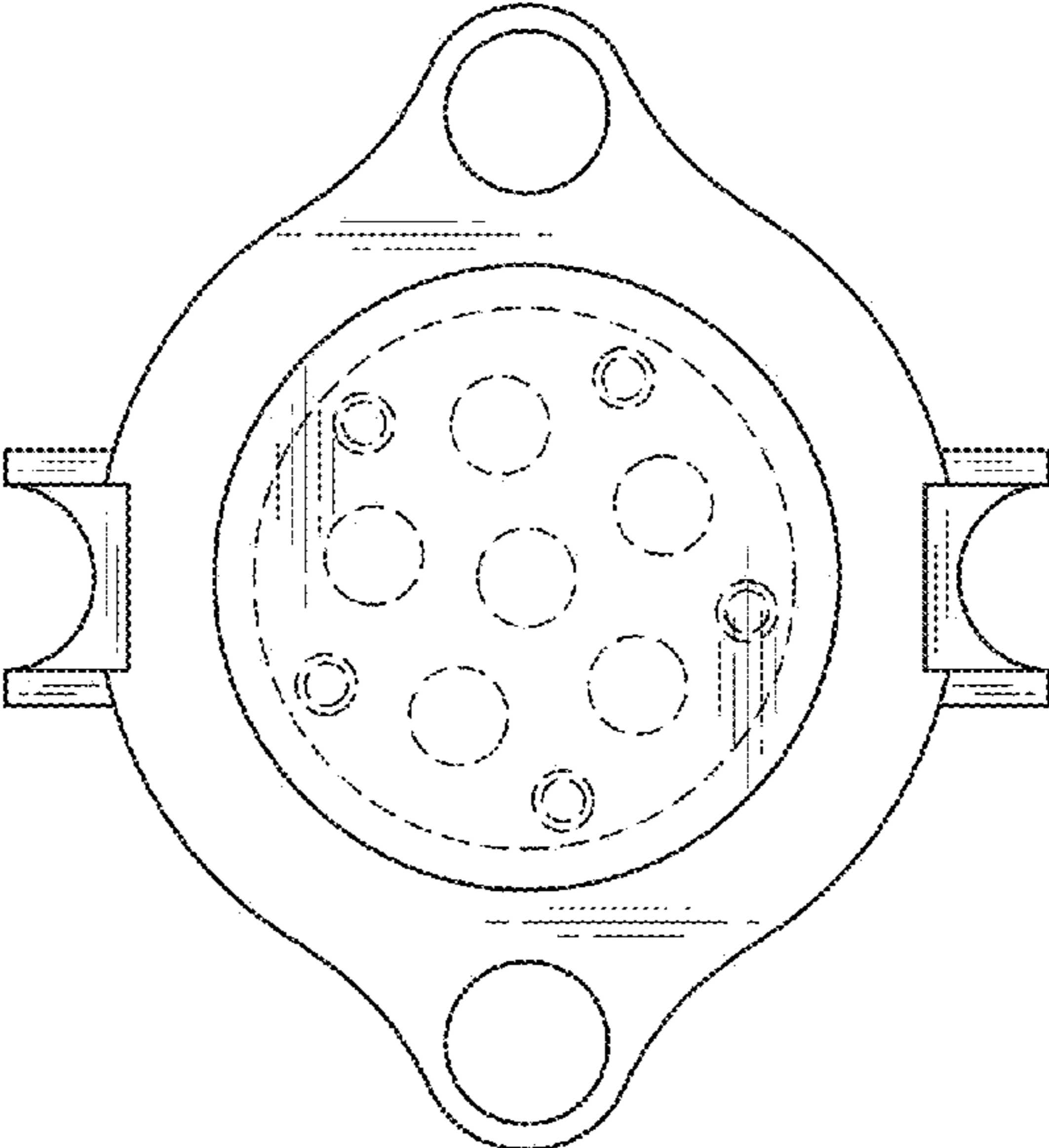


FIG. 4

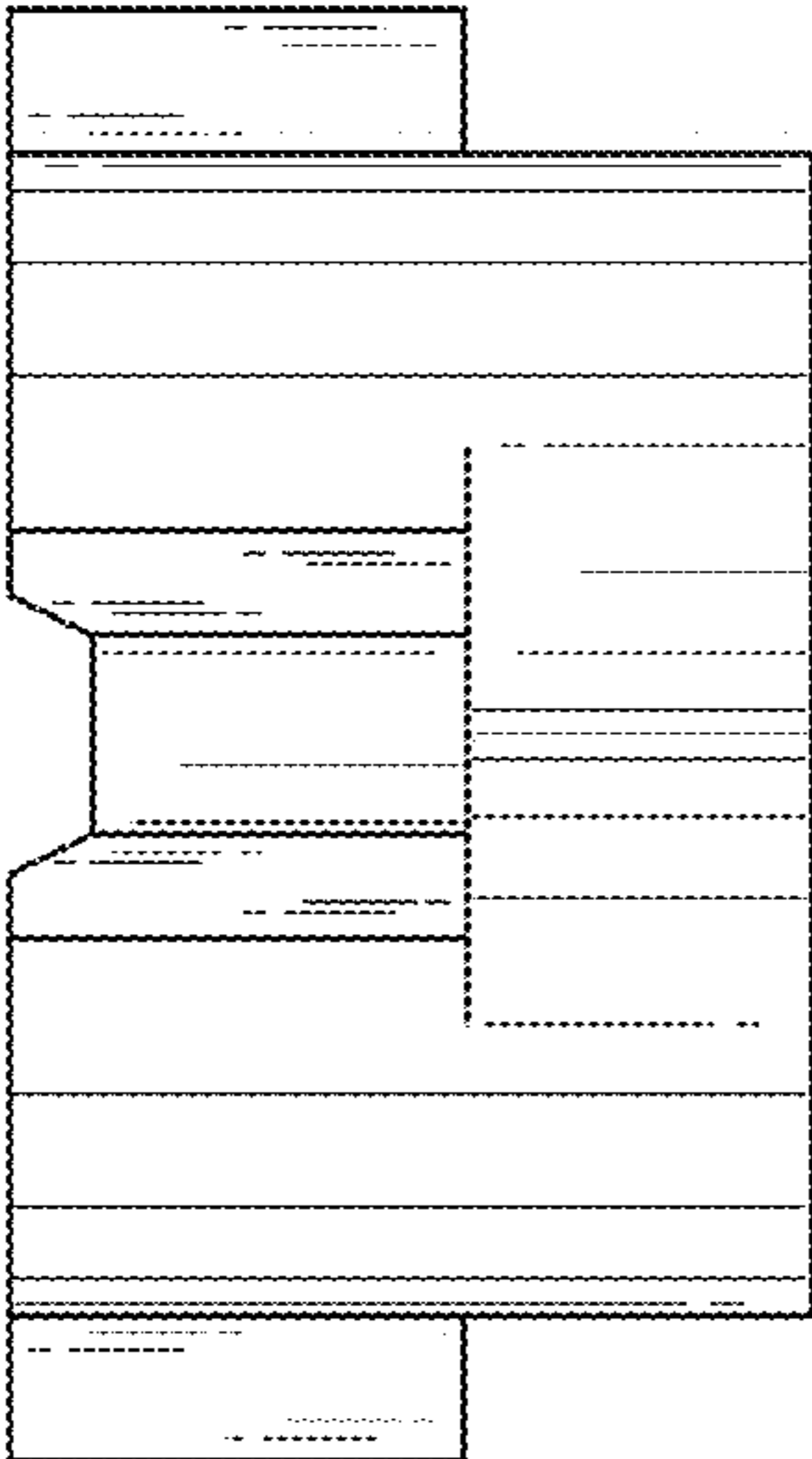


FIG. 5