



US00D730288S

(12) **United States Design Patent**
Ilkhanov et al.

(10) **Patent No.:** **US D730,288 S**

(45) **Date of Patent:** **** May 26, 2015**

(54) **MALE CONNECTOR WITH POGO PIN CONTACTS**

(71) Applicant: **Bren-Tronics, Inc.**, Commack, NY (US)

(72) Inventors: **Azer Ilkhanov**, Brooklyn, NY (US);
Peter J. Burke, East Northport, NY (US); **Sai Fung**, Melville, NY (US); **Leo Brenna**, Northport, NY (US)

(73) Assignee: **Bren-Tronics, Inc.**, Commack, NY (US)

(**) Term: **14 Years**

(21) Appl. No.: **29/508,307**

(22) Filed: **Nov. 5, 2014**

Related U.S. Application Data

(63) Continuation-in-part of application No. 29/439,313, filed on Dec. 10, 2012, now Pat. No. Des. 717,246.

(51) **LOC (10) Cl.** **13-03**

(52) **U.S. Cl.**
USPC **D13/120**

(58) **Field of Classification Search**

CPC H01R 23/722; H01R 13/5227; H01R 13/5219; H01R 23/005; H01R 23/025
USPC D13/118-120, 133, 134, 146, 147, 149, D13/154, 184, 199; D15/9; D24/107; 277/650; 439/66, 206, 277, 278, 353, 439/374, 378, 379, 488, 527, 533, 586, 595, 439/597, 598, 600, 682, 685, 752, 894

See application file for complete search history.

(56) **References Cited**

U.S. PATENT DOCUMENTS

4,611,873	A *	9/1986	Punako et al.	439/277
6,262,562	B1	7/2001	Cummings et al.	
6,509,717	B2	1/2003	Lee	
D524,741	S *	7/2006	Bihrer	D13/146
7,101,192	B1 *	9/2006	Bordeau et al.	439/66
D537,414	S *	2/2007	Saito	D13/146
D627,056	S *	11/2010	Quensel	D24/107
D648,748	S *	11/2011	Chu	D15/9
D658,586	S *	5/2012	Lin	D13/146
8,257,101	B2 *	9/2012	Ichio	439/206
D678,914	S *	3/2013	Chen	D15/9
D685,004	S *	6/2013	Chen	D15/9
D694,273	S *	11/2013	Chen	D15/9

OTHER PUBLICATIONS

Benchmark Microelectronics Inc., et al. "System Management Bus Specification, Revision 1.1," Dec. 11, 1998.

* cited by examiner

Primary Examiner — Adir Aronovich

Assistant Examiner — Ramzi Almatrahi

(74) *Attorney, Agent, or Firm* — Keusey & Associates, P.C.

(57) **CLAIM**

We claim the ornamental design for a male connector with pogo pin contacts, as shown and described.

DESCRIPTION

FIG. 1 is a top, rear, and right side perspective view of a male connector with pogo pin contacts showing our new design.

FIG. 2 is a top plan view thereof.

FIG. 3 is a left side elevational view thereof.

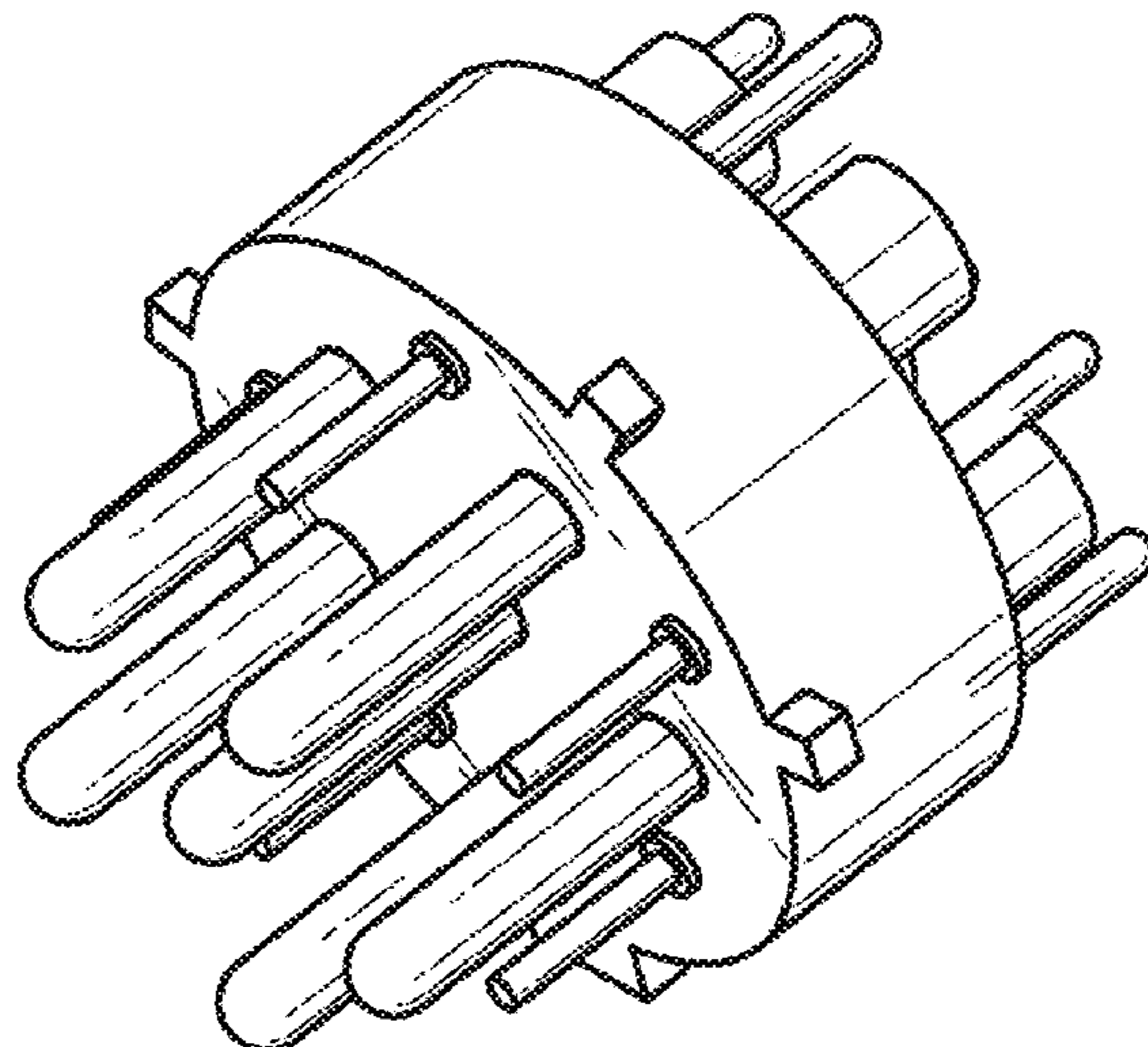
FIG. 4 is a front elevational view thereof.

FIG. 5 is a right side elevational view thereof.

FIG. 6 is a rear elevational view thereof; and,

FIG. 7 is a bottom plan view thereof.

1 Claim, 3 Drawing Sheets



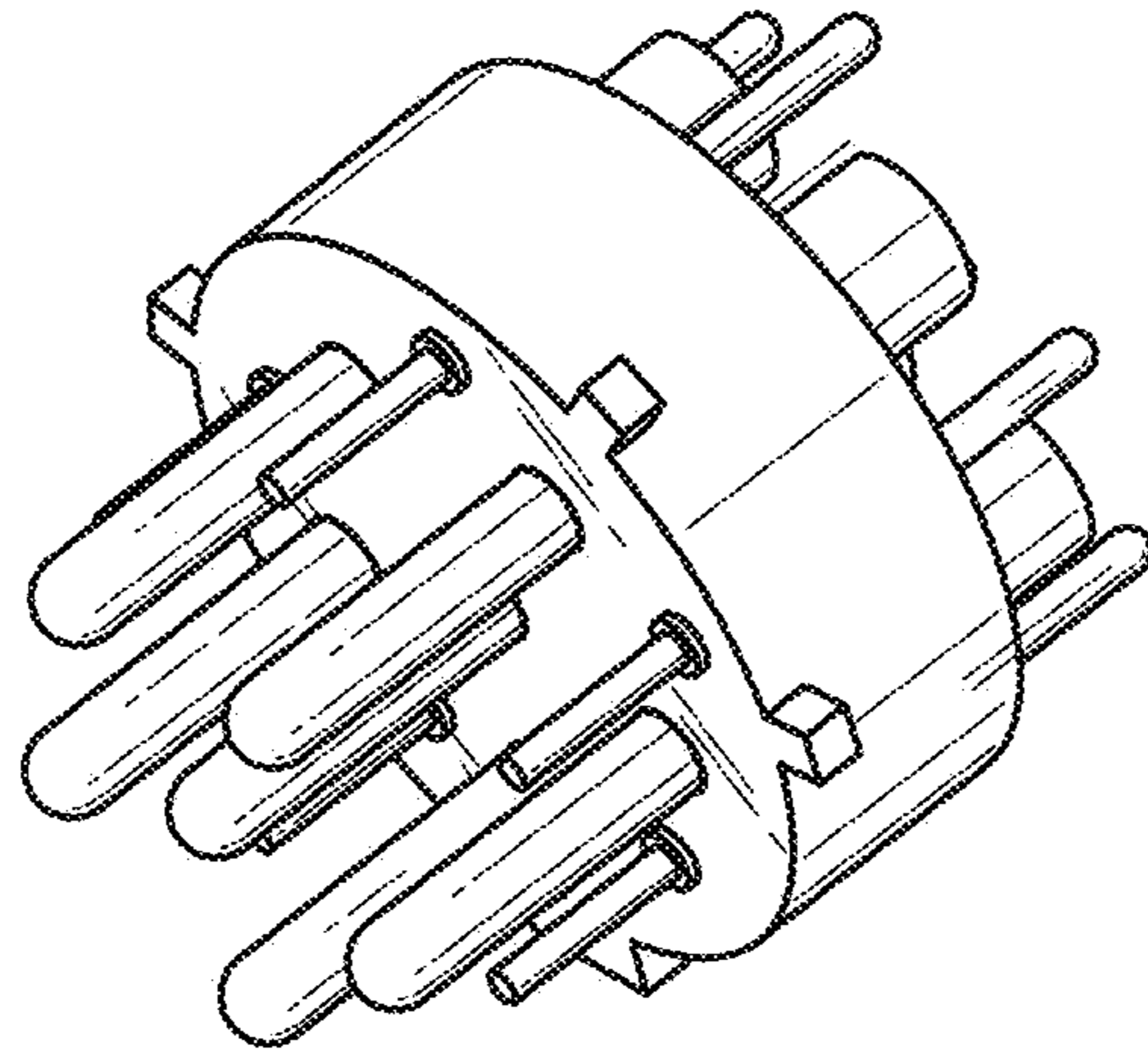


FIG. 1

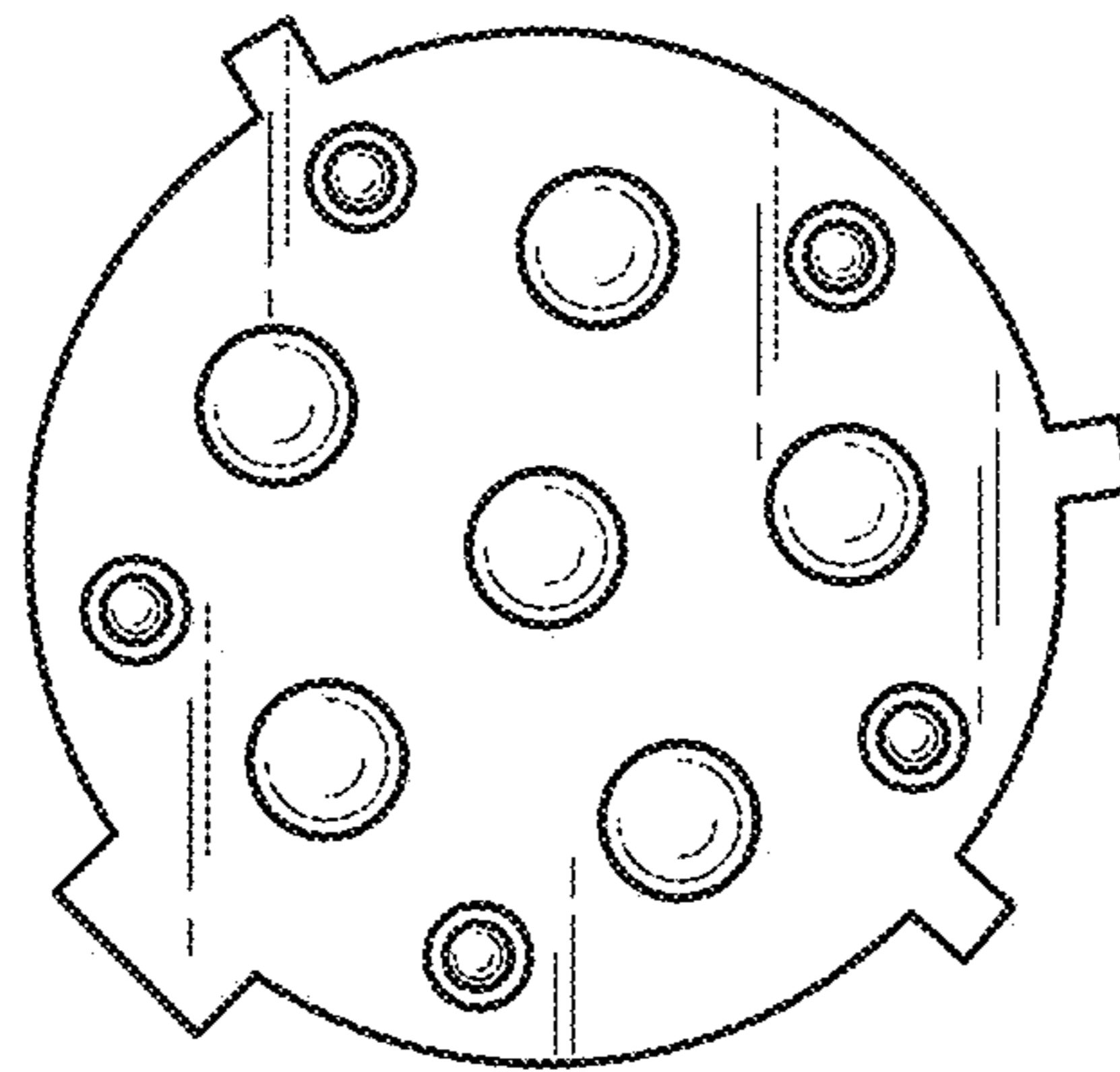


FIG. 2

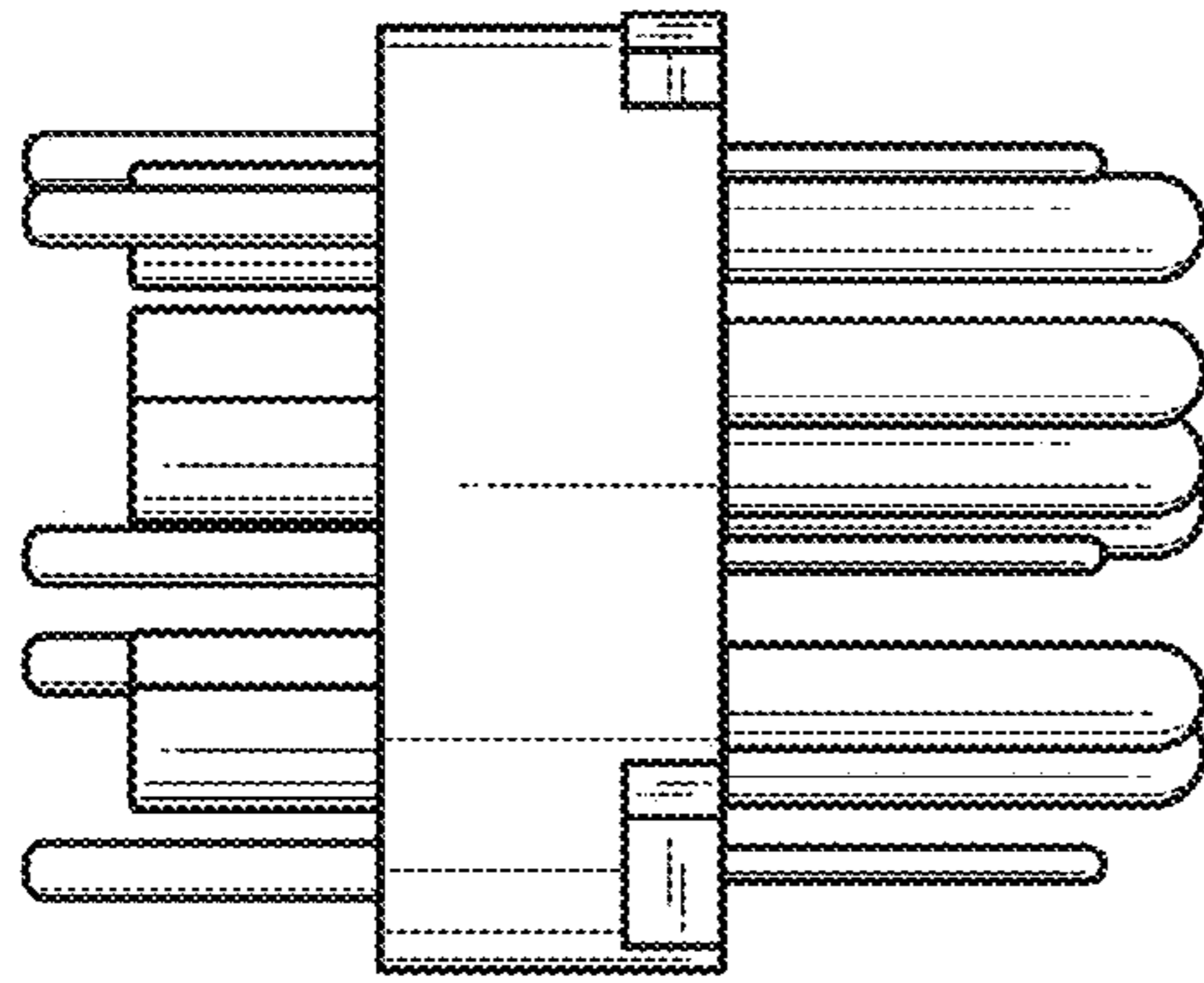


FIG. 3

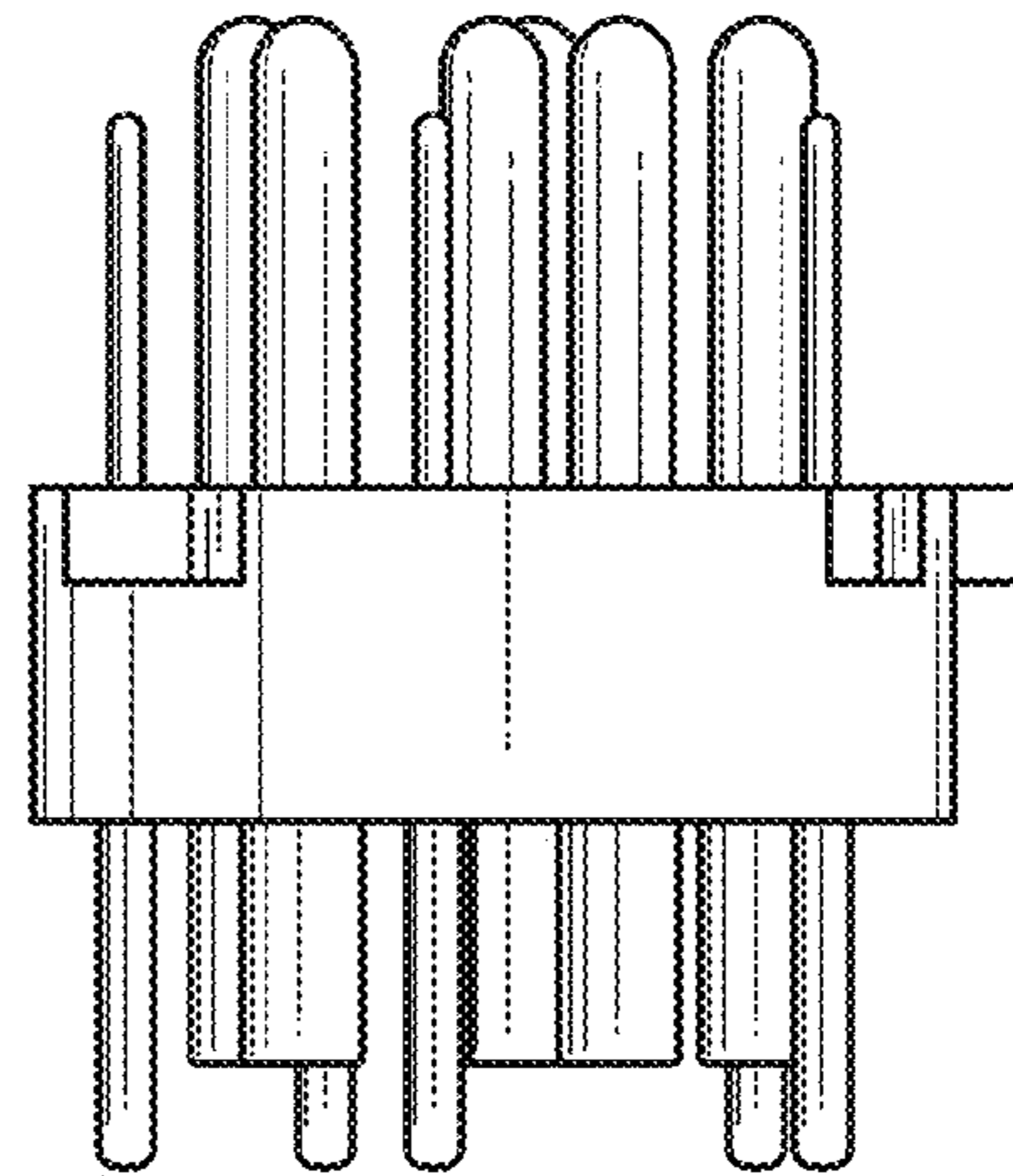


FIG. 4

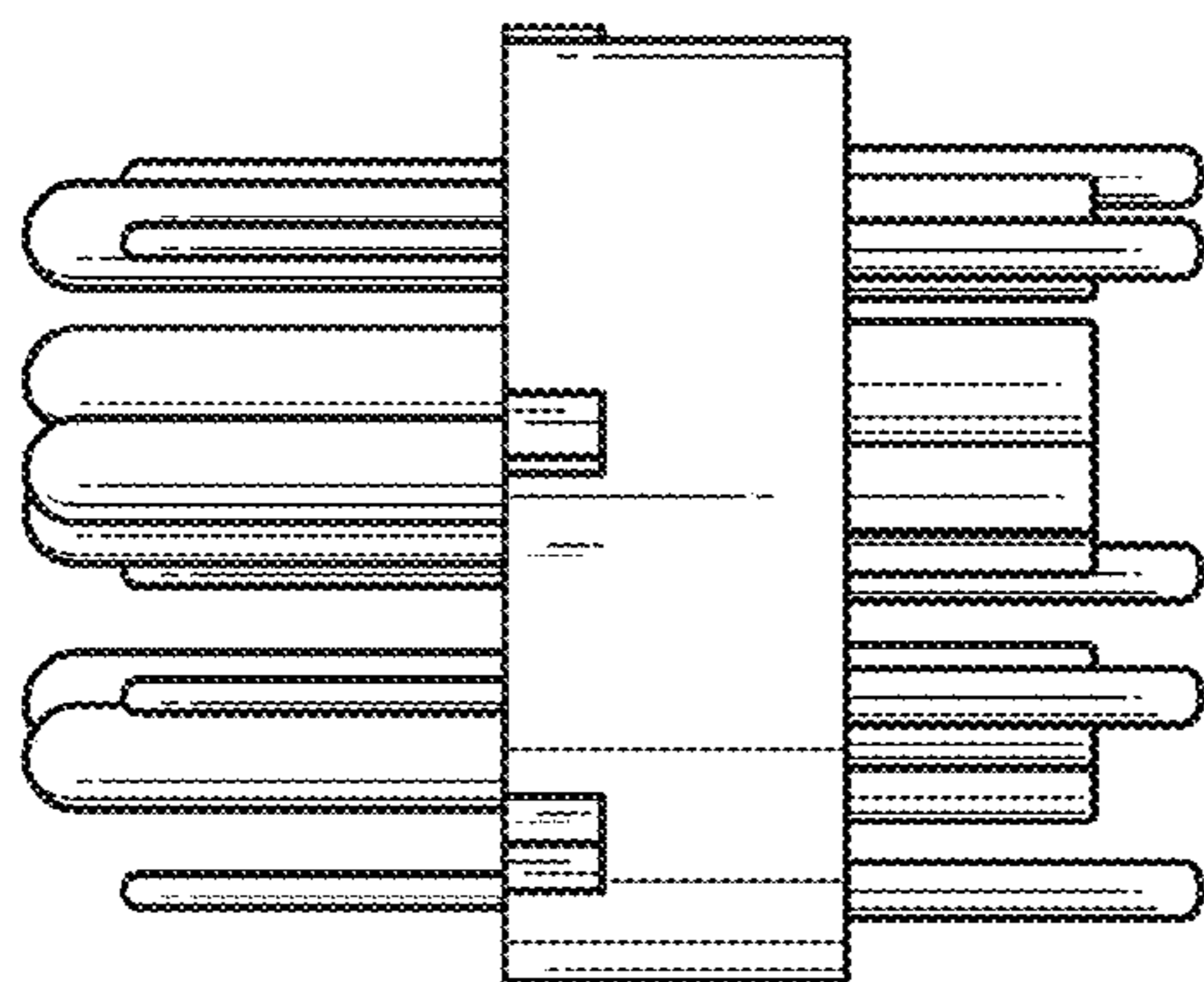


FIG. 5

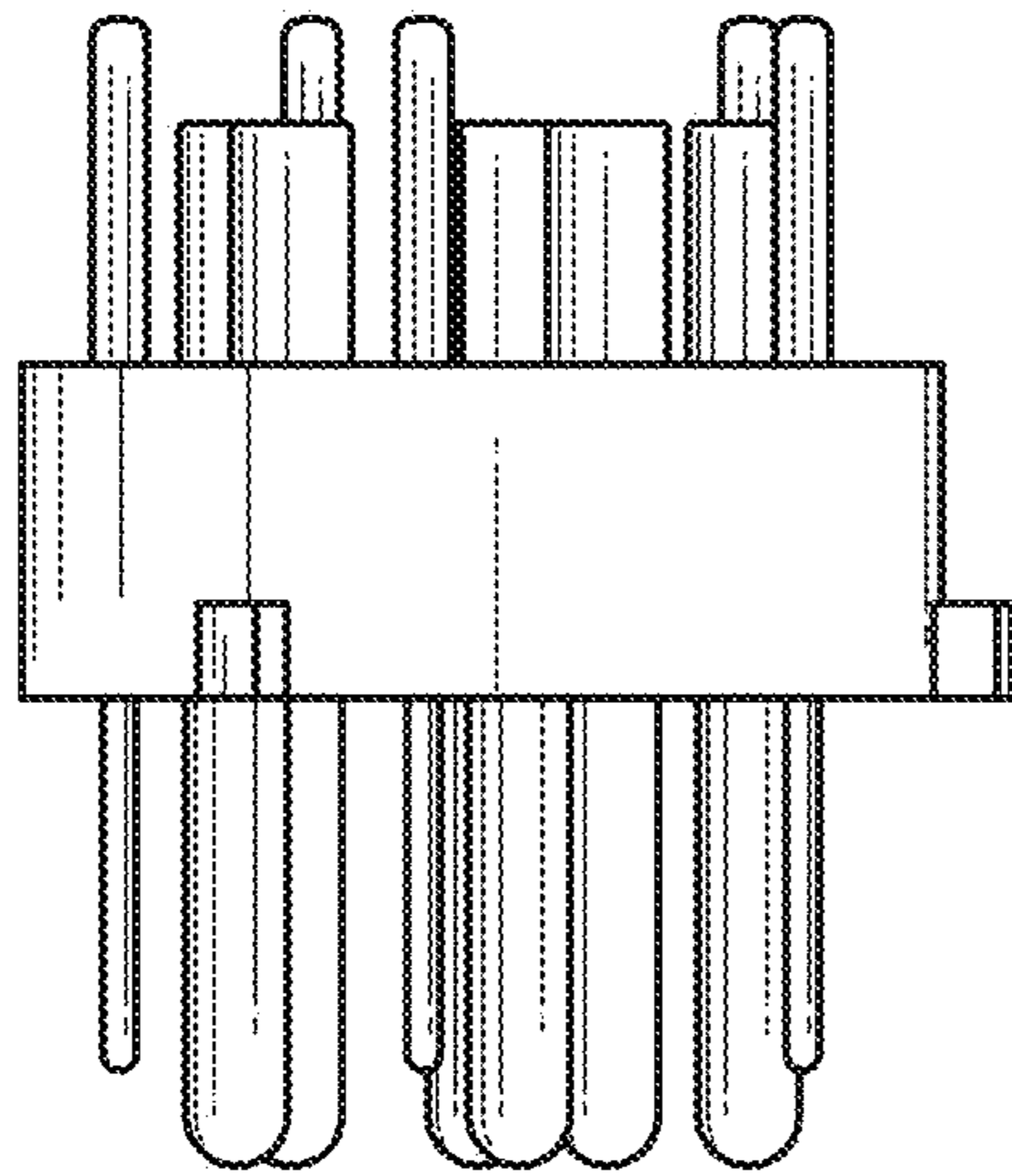


FIG. 6

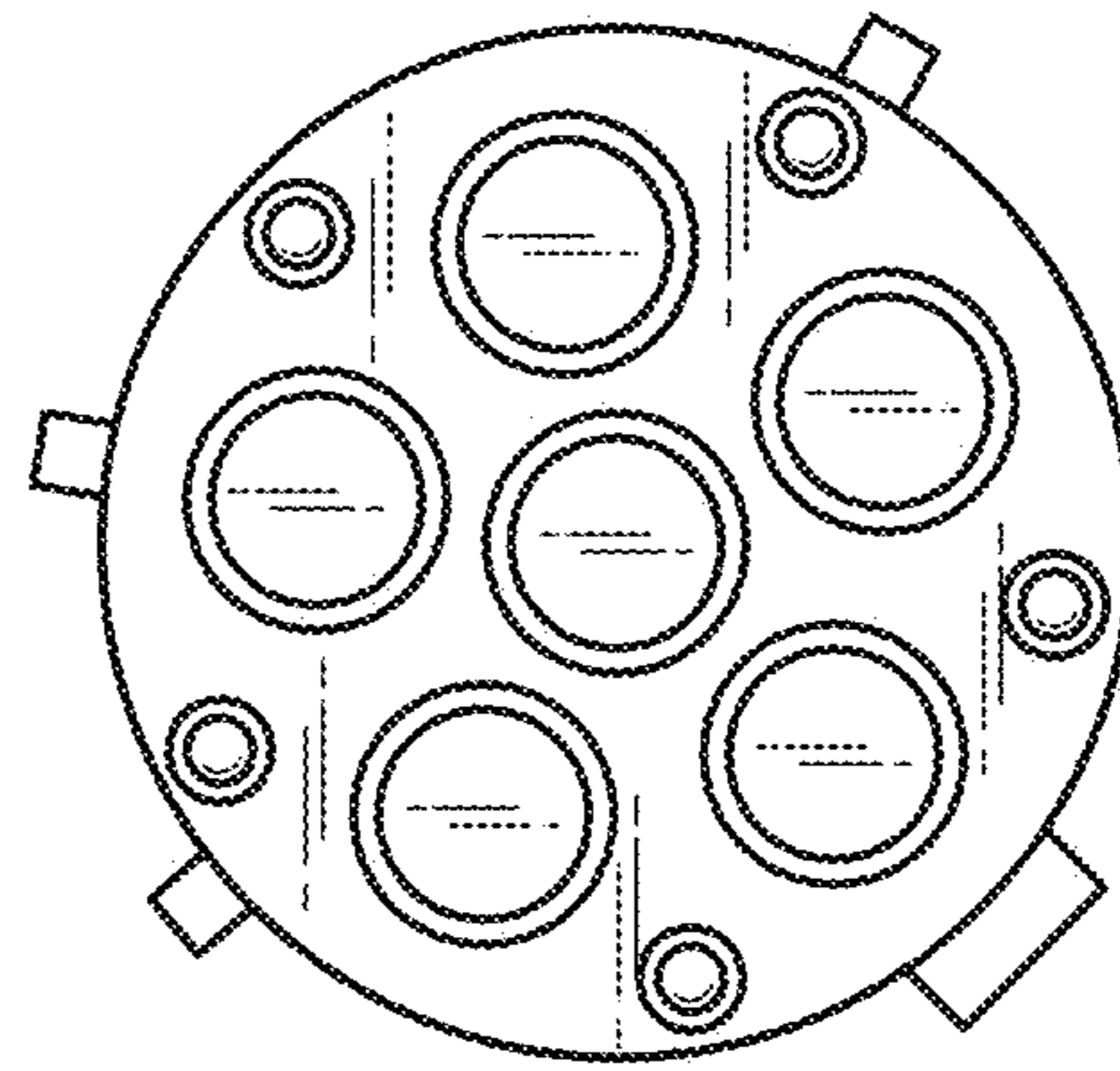


FIG. 7