



US00D730287S

(12) **United States Design Patent**  
**Motoyama et al.**

(10) **Patent No.:** **US D730,287 S**

(45) **Date of Patent:** **\*\* May 26, 2015**

(54) **RECHARGEABLE BATTERY**

(71) Applicant: **Sony Corporation**, Tokyo (JP)

(72) Inventors: **Shigeki Motoyama**, Kanagawa (JP);  
**Shoji Tatehata**, Fukushima (JP); **Naoto Hosoya**, Kanagawa (JP)

(73) Assignee: **Sony Corporation**, Tokyo (JP)

(\*\*) Term: **14 Years**

(21) Appl. No.: **29/478,119**

(22) Filed: **Dec. 31, 2013**

(51) **LOC (10) Cl.** ..... **13-02**

(52) **U.S. Cl.**  
USPC ..... **D13/119**

(58) **Field of Classification Search**

CPC ..... Y02E 60/12; Y02E 60/122; Y02E 60/124;  
Y02E 60/50; H01M 2/02; H01M 2/022;  
H01M 2/0202; H01M 2/0207; H01M 2/0212;  
H01M 2/1061; H01M 2/1022; H01M 2/1055;  
H01M 2/1066; H01M 2/105; H01M 2/204;  
H01M 10/4257; H01M 10/0436; H01M 10/48  
USPC ..... D13/102-106, 110, 119-121, 184;  
429/96-100, 163, 176

See application file for complete search history.

(56) **References Cited**

**U.S. PATENT DOCUMENTS**

|           |   |   |         |                  |       |         |
|-----------|---|---|---------|------------------|-------|---------|
| D243,618  | S | * | 3/1977  | Kaye             | ..... | D13/103 |
| D250,528  | S | * | 12/1978 | Kaye             | ..... | D13/103 |
| D250,529  | S | * | 12/1978 | Kaye             | ..... | D13/103 |
| D250,530  | S | * | 12/1978 | Kaye             | ..... | D13/103 |
| 5,216,371 | A | * | 6/1993  | Nagai            | ..... | 324/428 |
| D352,698  | S | * | 11/1994 | Okumura          | ..... | D13/103 |
| D423,449  | S | * | 4/2000  | Naskali          | ..... | D13/103 |
| D477,811  | S | * | 7/2003  | Niwa et al.      | ..... | D13/103 |
| D480,682  | S | * | 10/2003 | Kawase           | ..... | D13/103 |
| D516,503  | S | * | 3/2006  | Takeshita et al. | ..... | D13/103 |
| D526,274  | S | * | 8/2006  | Kobayashi et al. | ..... | D13/110 |
| D526,960  | S | * | 8/2006  | Kobayashi et al. | ..... | D13/110 |

|          |   |   |        |                  |       |         |
|----------|---|---|--------|------------------|-------|---------|
| D528,975 | S | * | 9/2006 | Chi et al.       | ..... | D13/103 |
| D528,980 | S | * | 9/2006 | Kobayashi et al. | ..... | D13/110 |
| D538,225 | S | * | 3/2007 | Lyman et al.     | ..... | D13/119 |
| D547,264 | S | * | 7/2007 | Kondo            | ..... | D13/103 |
| D584,683 | S | * | 1/2009 | Preliasco et al. | ..... | D13/103 |
| D598,844 | S | * | 8/2009 | Harrison et al.  | ..... | D13/103 |
| D632,250 | S | * | 2/2011 | Harata et al.    | ..... | D13/110 |
| D642,980 | S |   | 8/2011 | Inaba            |       |         |

(Continued)

*Primary Examiner* — Rosemary K Tarcza

(74) *Attorney, Agent, or Firm* — Fishman Stewart Yamaguchi PLLC

(57) **CLAIM**

The ornamental design for a rechargeable battery, as shown and described.

**DESCRIPTION**

FIG. 1 is a perspective view of a rechargeable battery showing our new design;

FIG. 2 is a front elevational view thereof;

FIG. 3 is a right side elevational view thereof;

FIG. 4 is a top plan view thereof; and

FIG. 5 is an enlarged perspective view thereof along the lines 5-5 and 5'-5' of FIG. 1.

FIG. 6 is a perspective view of another embodiment of a rechargeable battery showing our new design;

FIG. 7 is a front elevational view thereof;

FIG. 8 is a right side elevational view thereof;

FIG. 9 is a top plan view thereof; and

FIG. 10 is an enlarged perspective view thereof along the lines 10-10 and 10'-10' of FIG. 6.

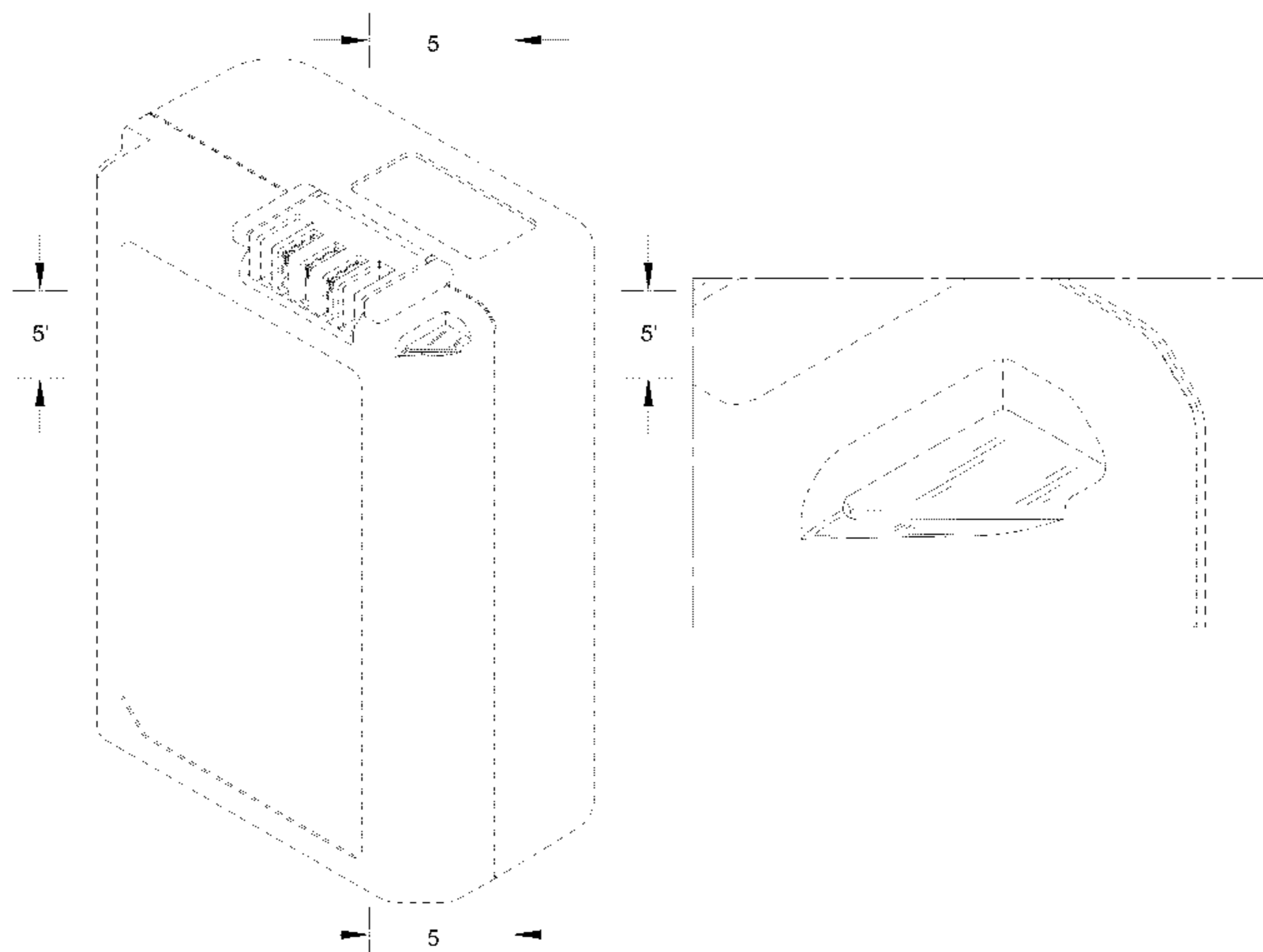
FIG. 11 is a rear elevational view of the embodiments of FIGS. 1 and 6;

FIG. 12 is a left side elevational view thereof; and,

FIG. 13 is a bottom plan view thereof.

Portions in broken lines are for illustrative purpose only and form no part of the claimed design. The dot-dash broken lines define but are not included in, the boundaries of the claimed design.

**1 Claim, 13 Drawing Sheets**



(56)

**References Cited**

U.S. PATENT DOCUMENTS

D644,988 S \* 9/2011 Finney et al. .... D13/103  
D665,340 S \* 8/2012 Obata ..... D13/103  
D670,240 S 11/2012 Morisawa

D680,946 S \* 4/2013 Anwar et al. .... D13/102  
D684,113 S \* 6/2013 Han et al. .... D13/103  
D685,318 S \* 7/2013 Obata ..... D13/103  
D686,570 S \* 7/2013 Hutnak ..... D13/103  
2008/0003494 A1\* 1/2008 Rejman ..... 429/97

\* cited by examiner

FIG.1

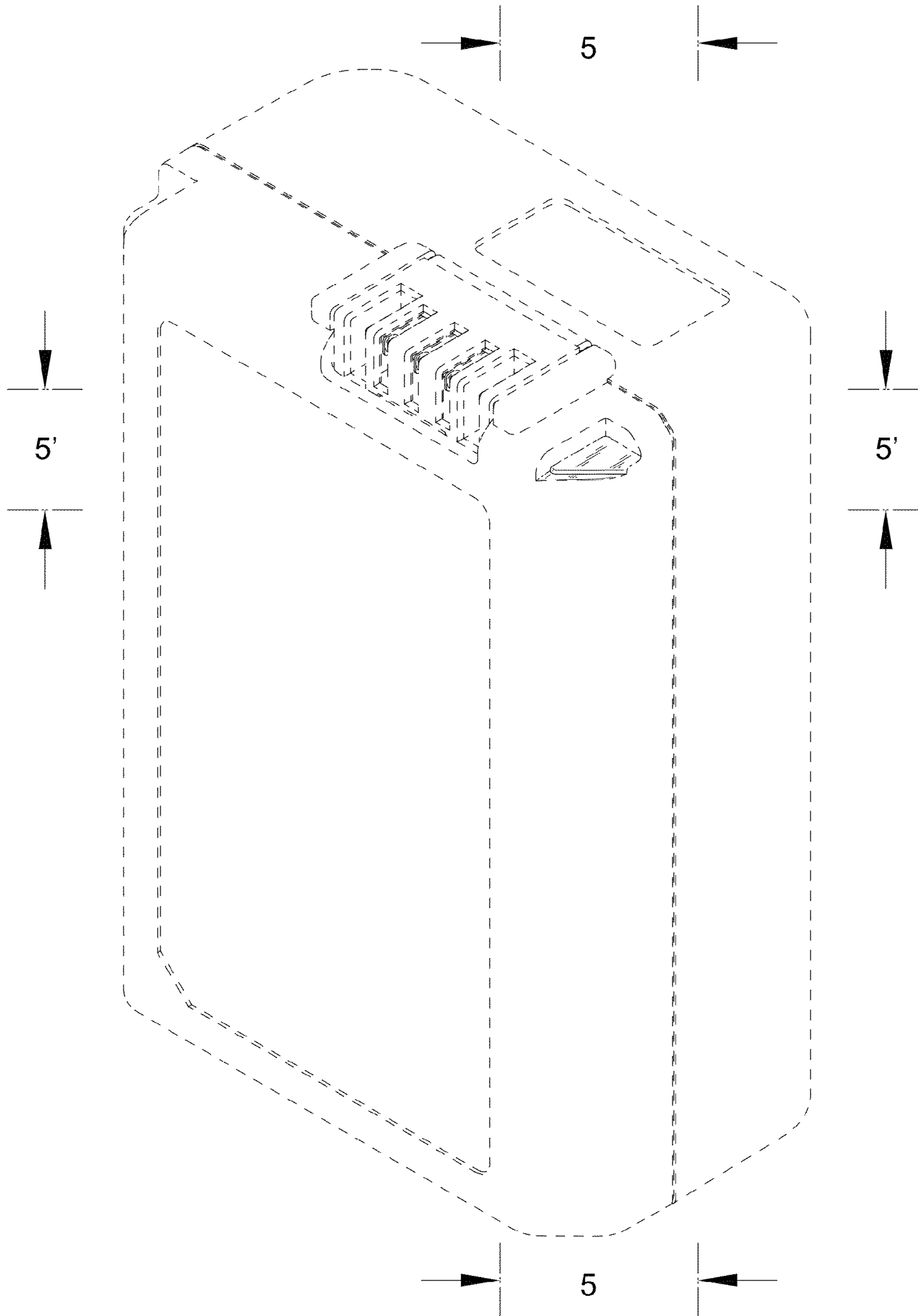


FIG.2



FIG.3

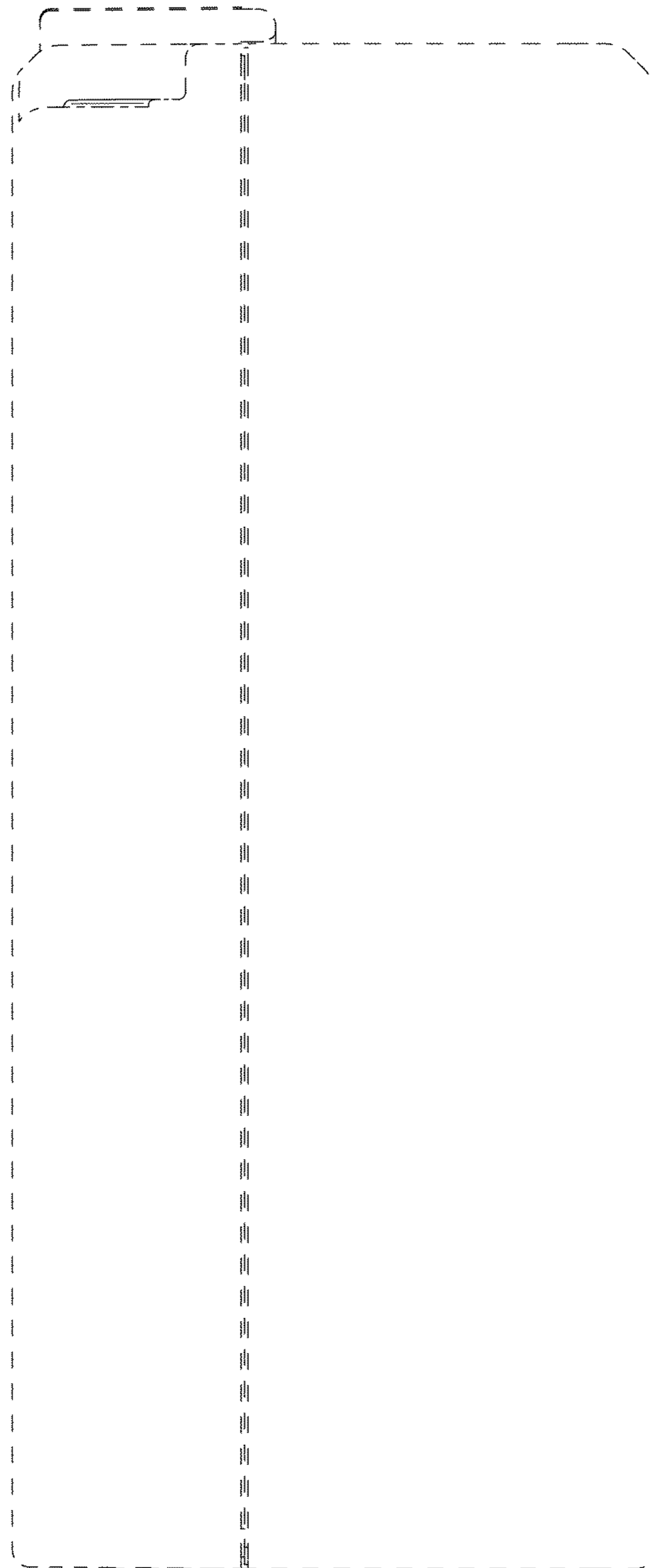


FIG.4

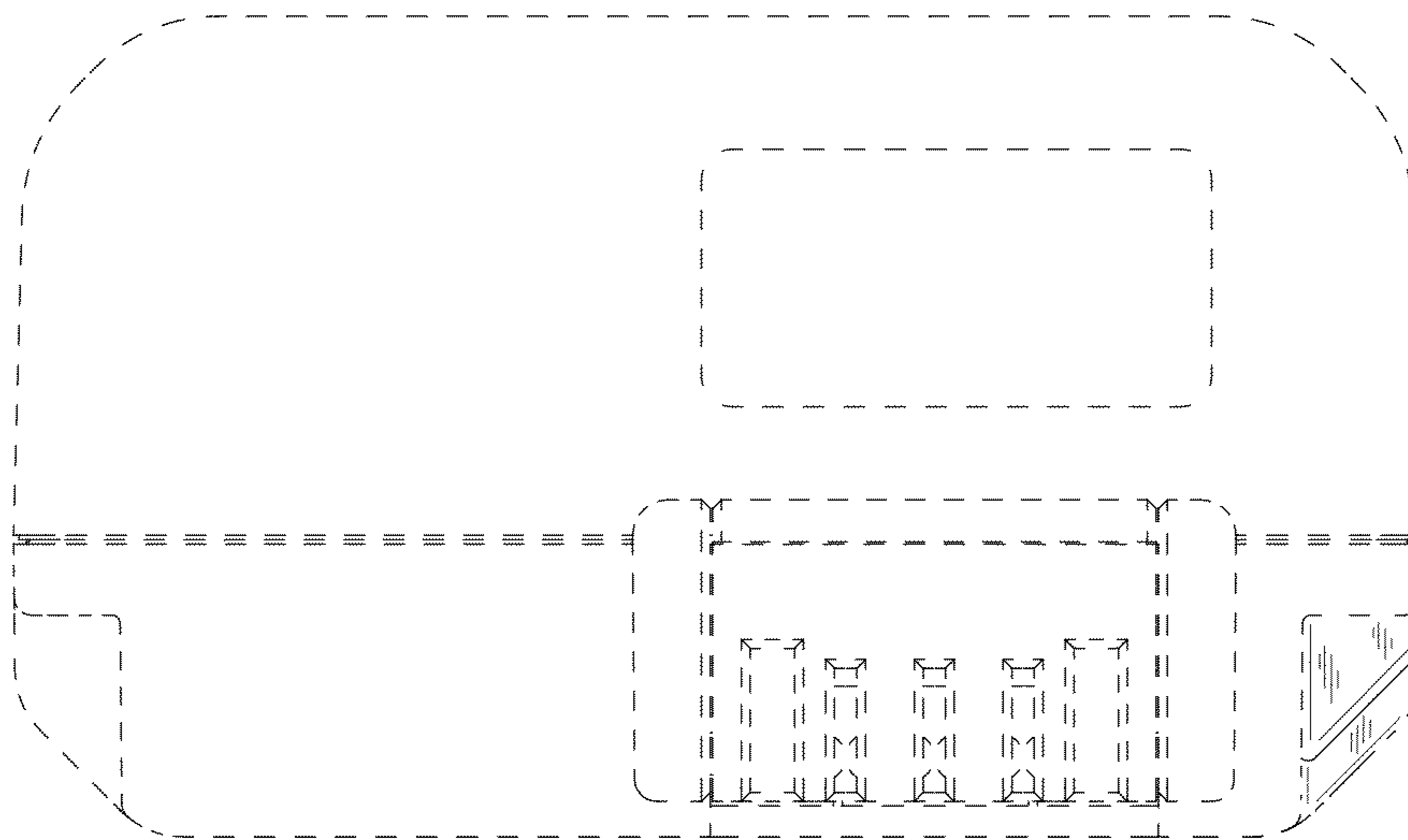


FIG.5

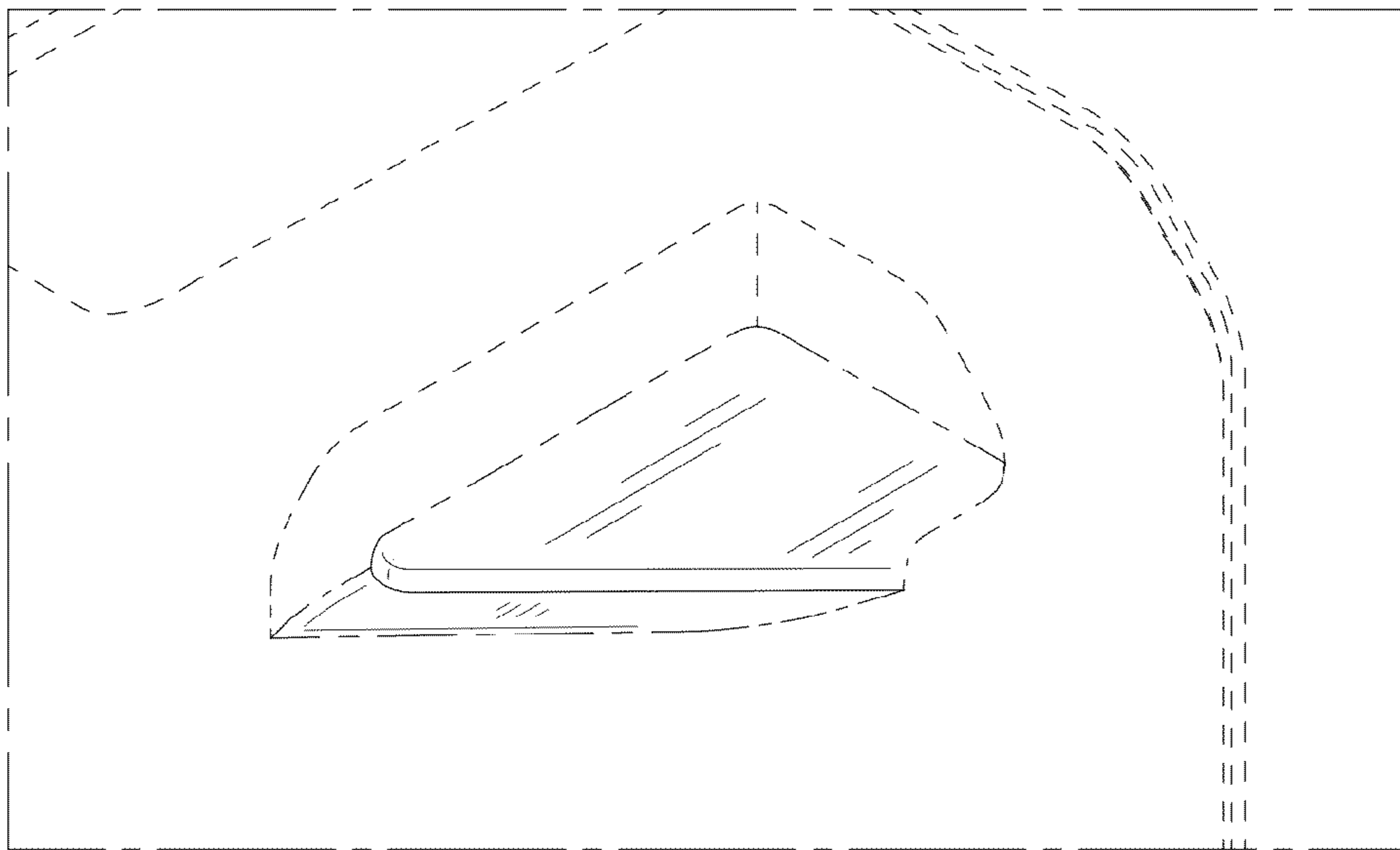


FIG.6

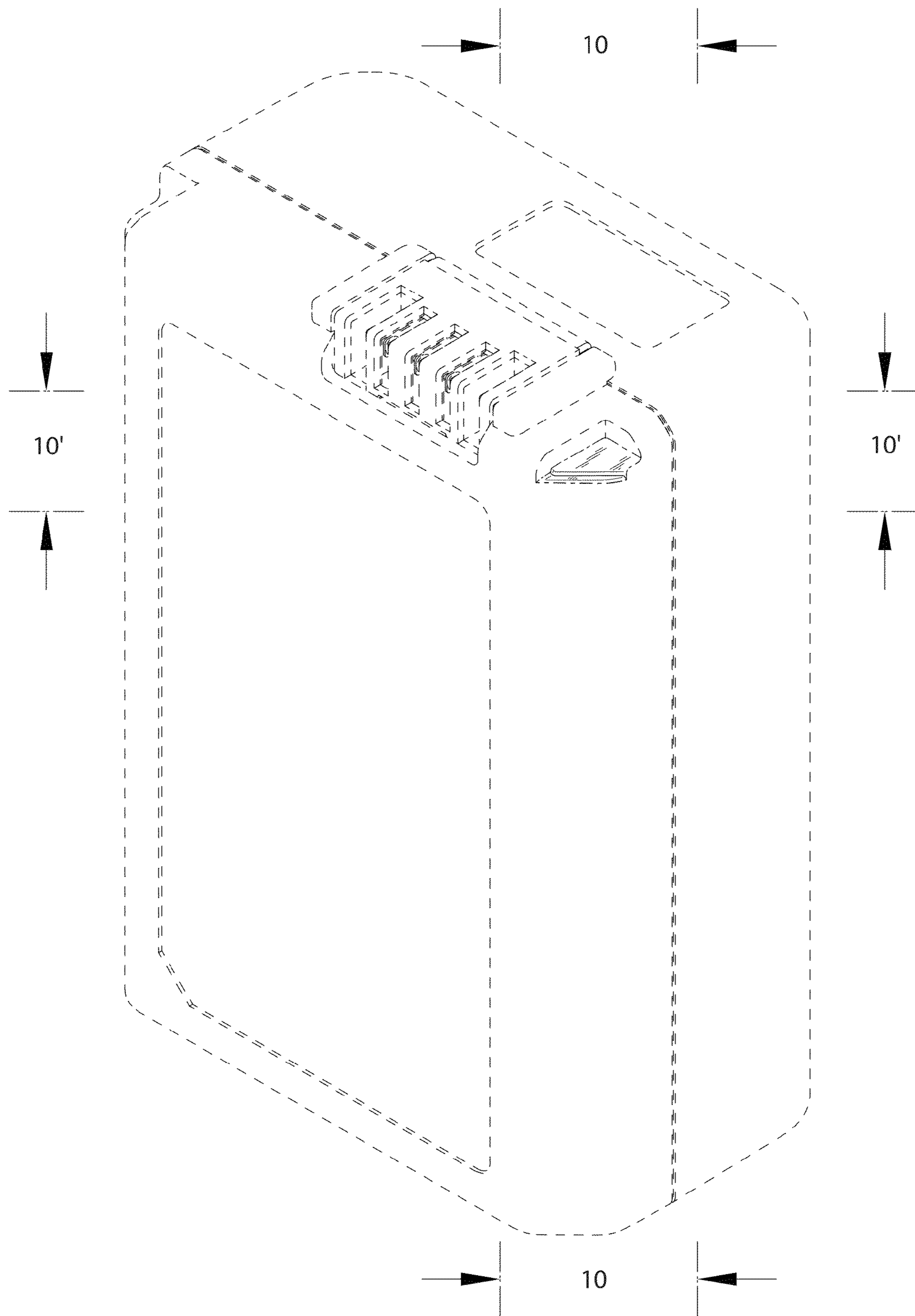




FIG.7

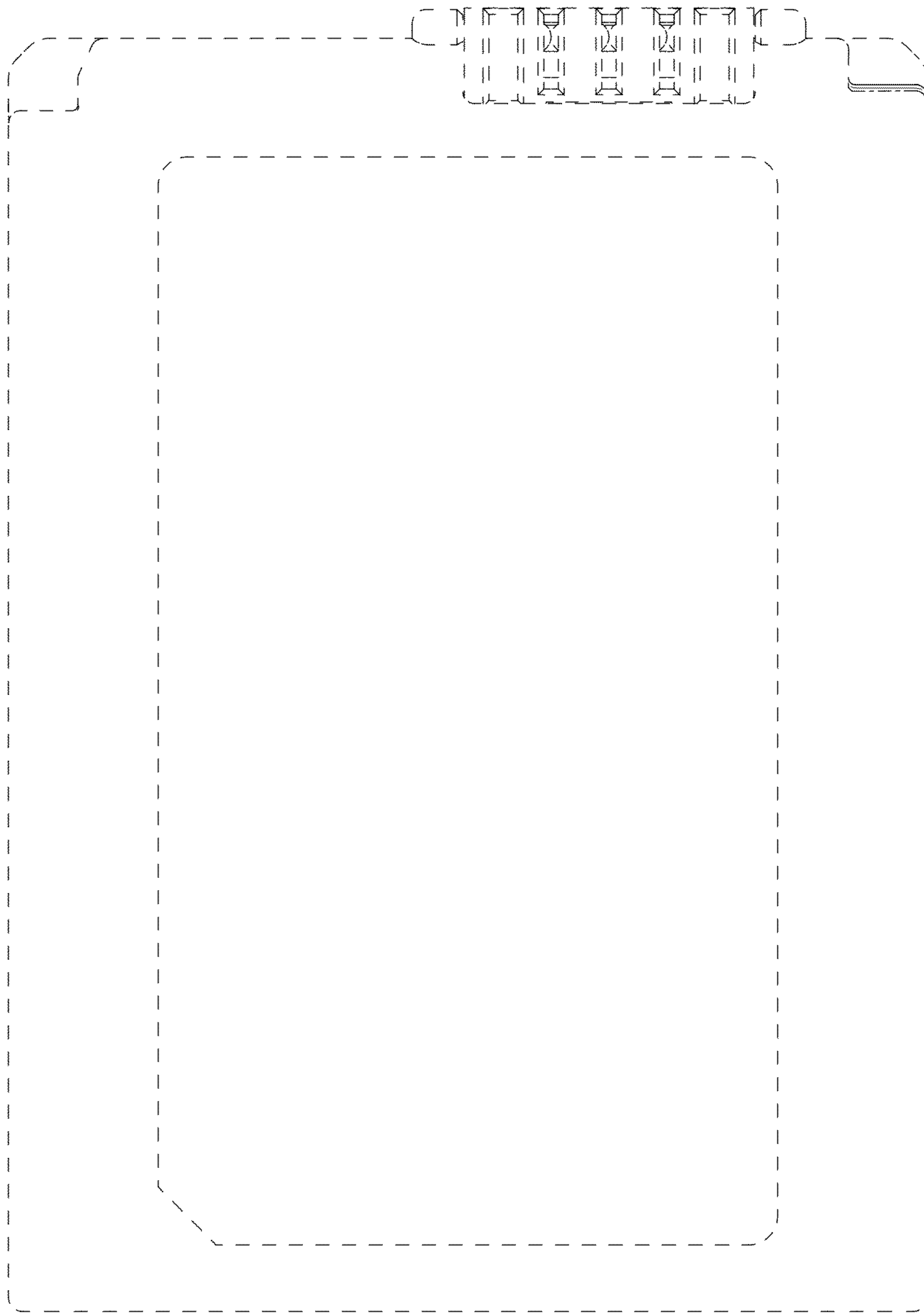


FIG.8

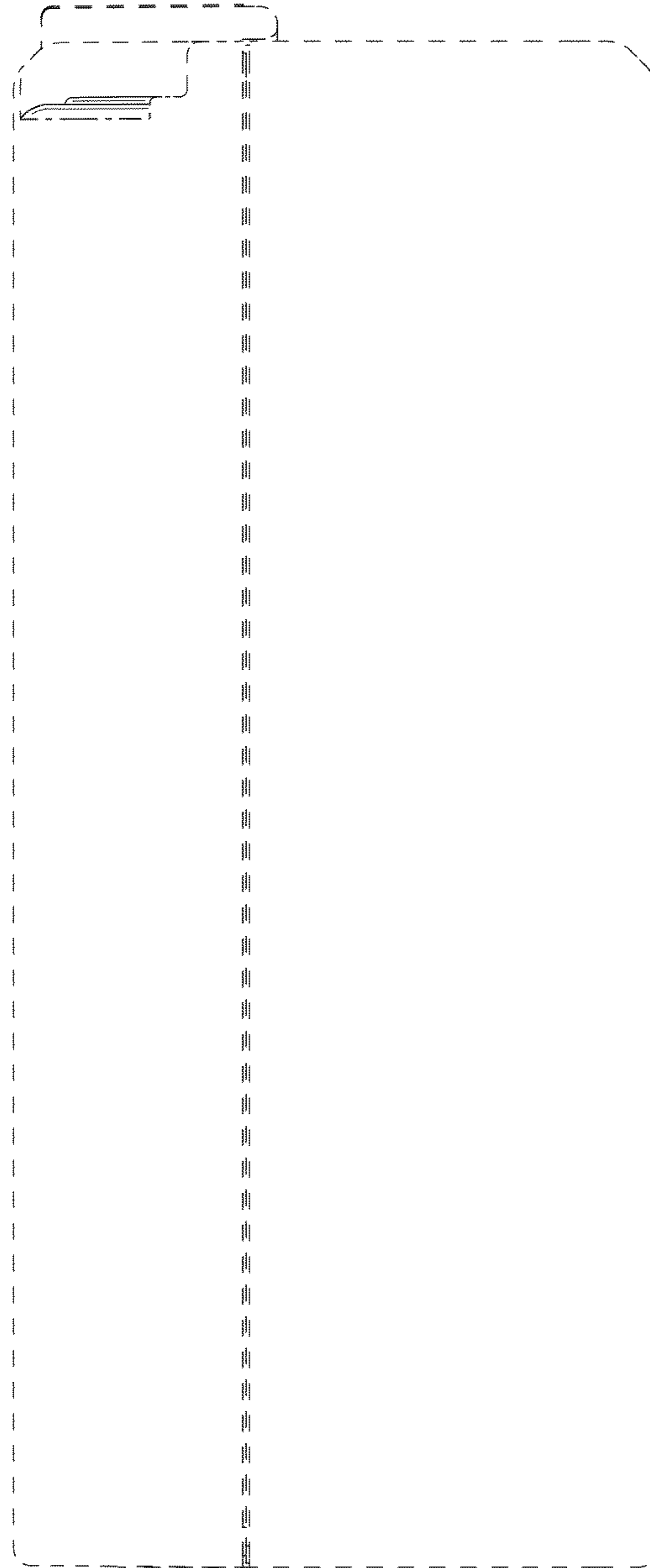


FIG.9

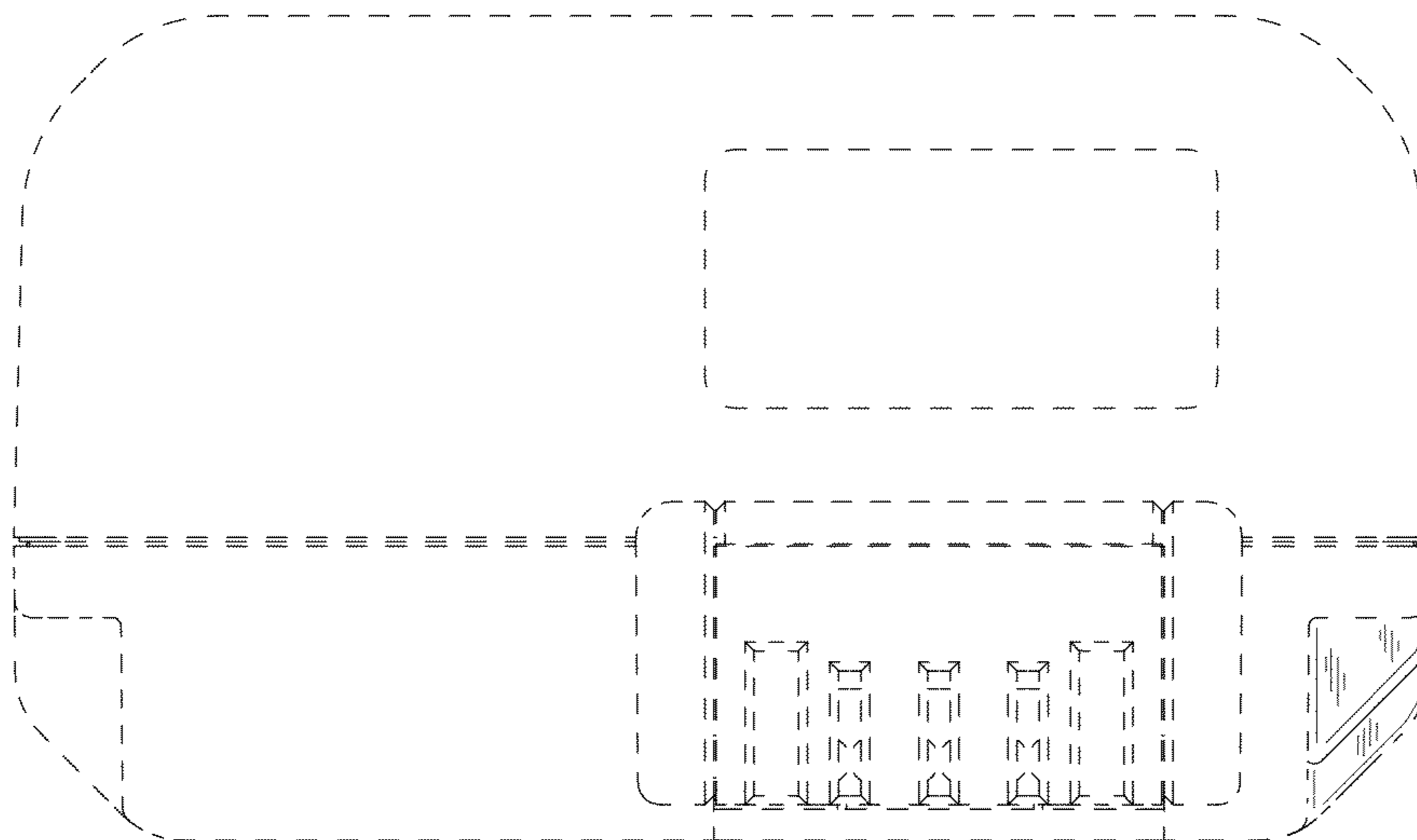


FIG.10

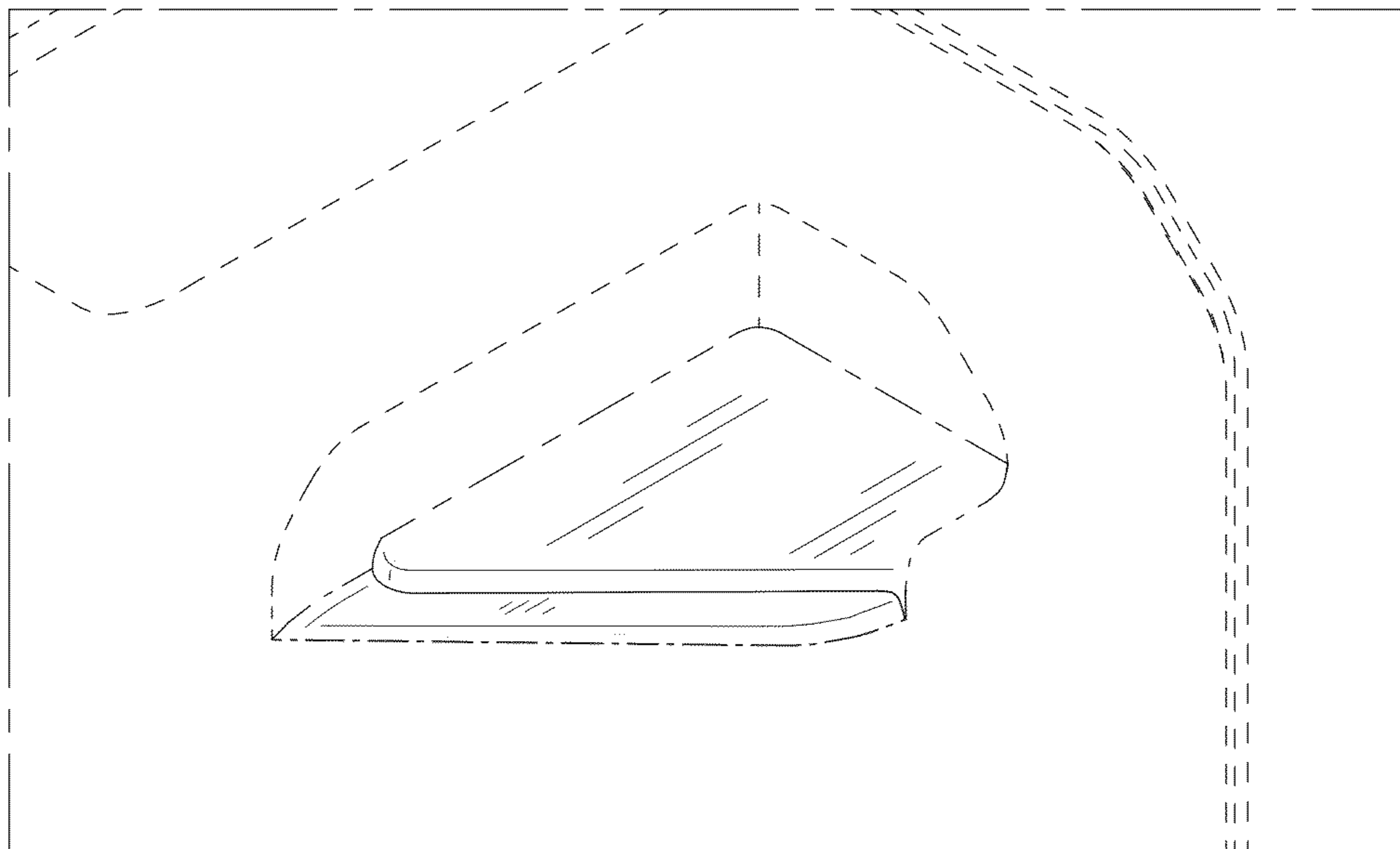


FIG.11

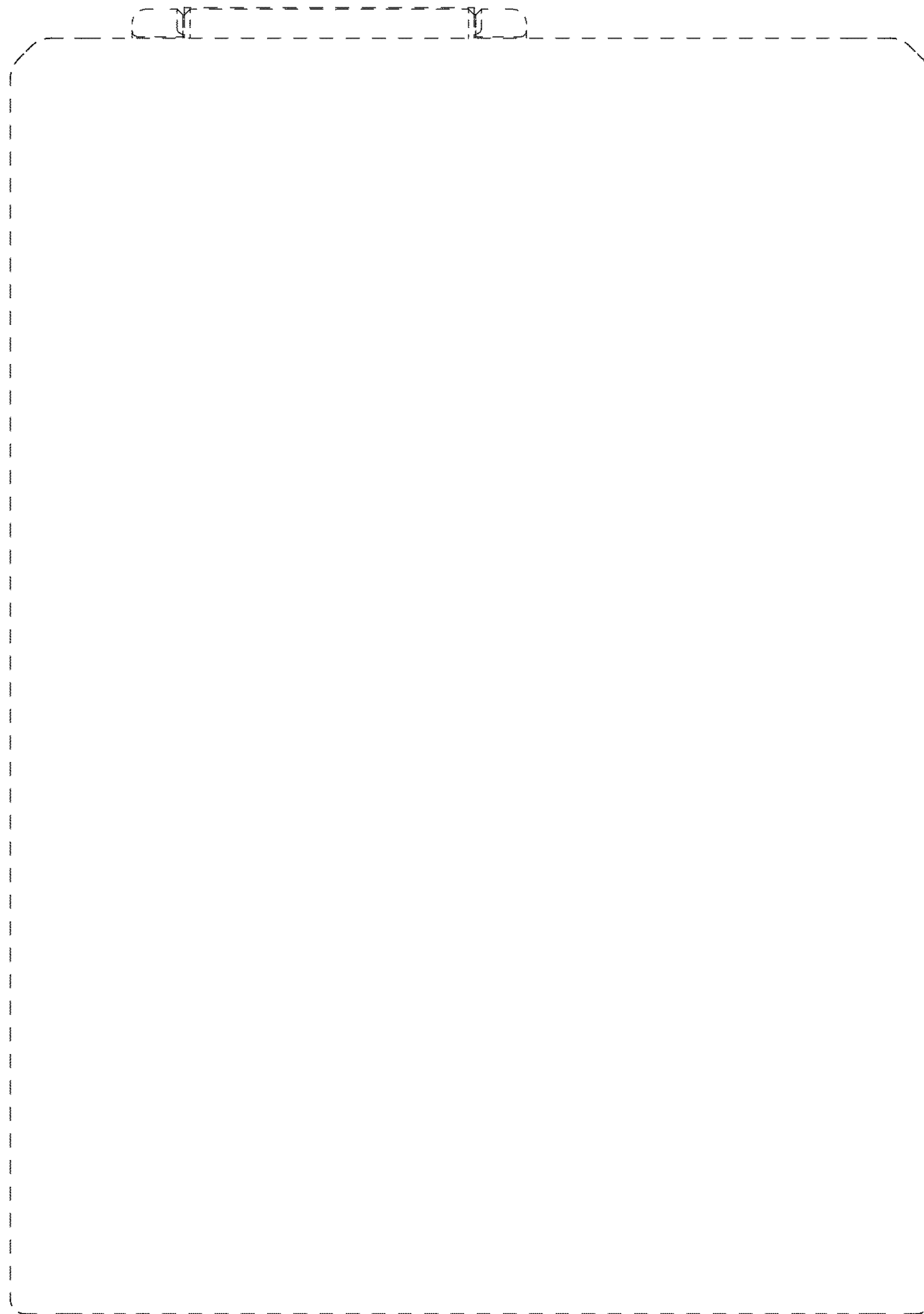


FIG.12

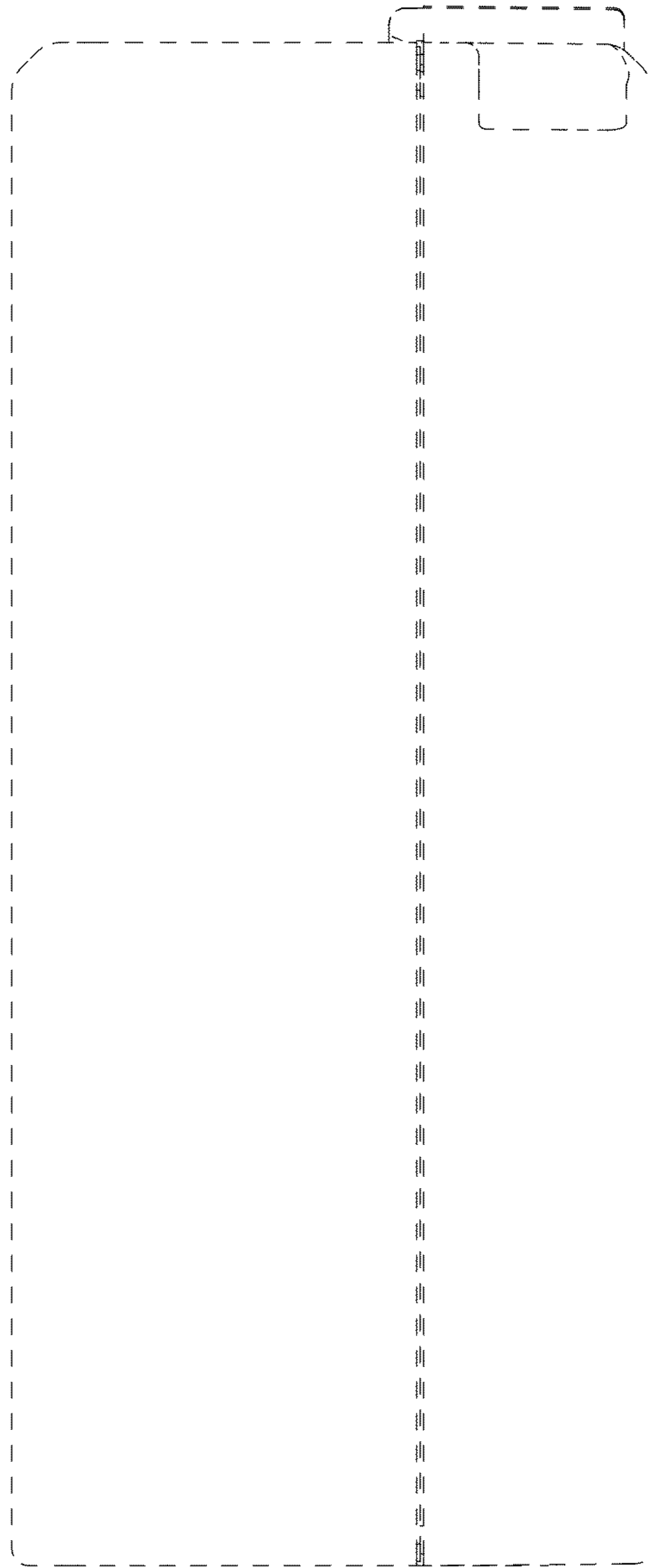


FIG.13

