



US00D730284S

(12) **United States Design Patent**  
**Dorn et al.**

(10) **Patent No.:** **US D730,284 S**

(45) **Date of Patent:** **\*\* May 26, 2015**

(54) **CHARGER**

(71) Applicant: **Raffel Systems, LLC**, Germantown, WI (US)

(72) Inventors: **Douglas Dorn**, Brookfield, WI (US);  
**Paul Li**, Milwaukee, WI (US)

(73) Assignee: **RAFFEL SYSTEMS, LLC**,  
Germantown, WI (US)

(\*\*) Term: **14 Years**

(21) Appl. No.: **29/482,958**

(22) Filed: **Feb. 24, 2014**

(51) **LOC (10) Cl.** ..... **13-02**

(52) **U.S. Cl.**  
USPC ..... **D13/108**

(58) **Field of Classification Search**

CPC ..... H02J 7/025; H02J 7/0042; H02J 7/0044;  
H02J 7/0045; H02J 7/0054; H02J 7/0003;  
B60L 11/182; Y02E 60/12; Y02T 10/7005;  
Y02T 10/7088; Y02T 90/14; Y02T 90/163;  
Y02T 90/122; Y02T 90/128; H01M 2/1022;  
H01M 2/1055; H01M 10/46; H01M 10/44;  
H01M 10/425; H01F 38/14; H01R 13/6675  
USPC ..... D13/107–110, 118–119, 184, 199;  
D14/251, 253, 432, 434

See application file for complete search history.

(56) **References Cited**

**U.S. PATENT DOCUMENTS**

D602,430 S \* 10/2009 Green et al. .... D13/110  
D602,858 S \* 10/2009 Ellis et al. .... D13/108

D611,409 S \* 3/2010 Green et al. .... D13/110  
D623,136 S \* 9/2010 Andre et al. .... D13/138.1  
D642,524 S \* 8/2011 Fitch et al. .... D13/110  
D653,209 S \* 1/2012 Lee ..... D13/110  
D653,614 S \* 2/2012 Au ..... D13/108  
D654,020 S \* 2/2012 Au ..... D13/108  
D663,267 S \* 7/2012 Kim et al. .... D13/110  
D677,621 S \* 3/2013 Beroukas et al. .... D13/107  
D678,190 S \* 3/2013 Beroukas et al. .... D13/107  
D693,299 S \* 11/2013 Zaslavsky et al. .... D13/110  
D693,767 S \* 11/2013 Zaslavsky et al. .... D13/110  
D702,631 S \* 4/2014 Esses ..... D13/108  
2014/0141653 A1 \* 5/2014 Hsieh ..... 439/638

\* cited by examiner

*Primary Examiner* — Rosemary K Tarcza

(74) *Attorney, Agent, or Firm* — Tyler J. Sisk; Casimir Jones, S.C.

(57) **CLAIM**

The ornamental design for a charger, as shown and described.

**DESCRIPTION**

FIG. 1 is a front perspective view showing our new design of a charger;

FIG. 2 is a front elevational view thereof;

FIG. 3 is a rear elevational view thereof;

FIG. 4 is a top plan view thereof;

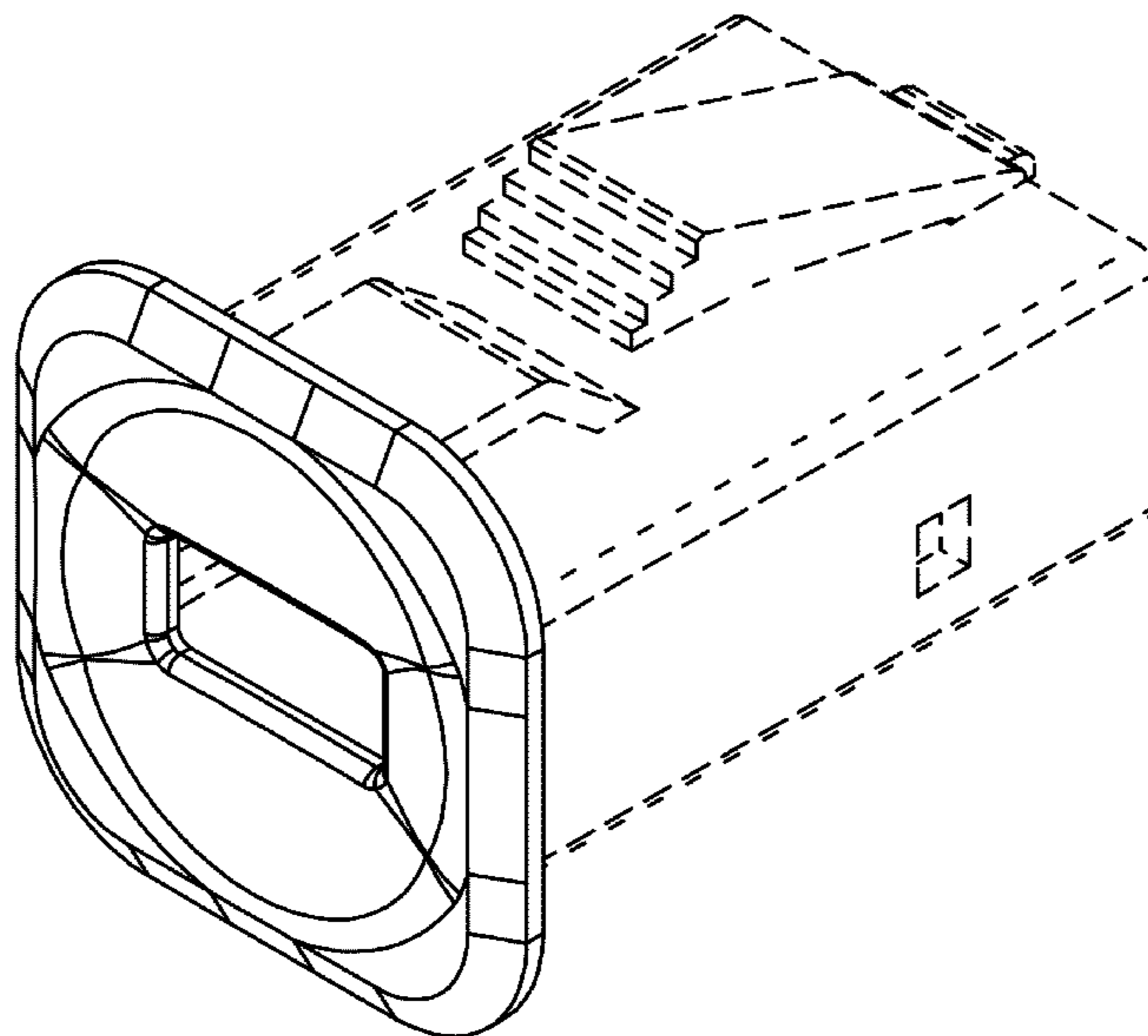
FIG. 5 is a bottom plan view thereof;

FIG. 6 is a left side elevational view thereof; and,

FIG. 7 is a right side elevational view thereof.

The broken lines shown in FIGS. 1, 3, 4, 5, 6, and 7 are for the purpose of illustrating environment, and form no part of the claimed design.

**1 Claim, 7 Drawing Sheets**



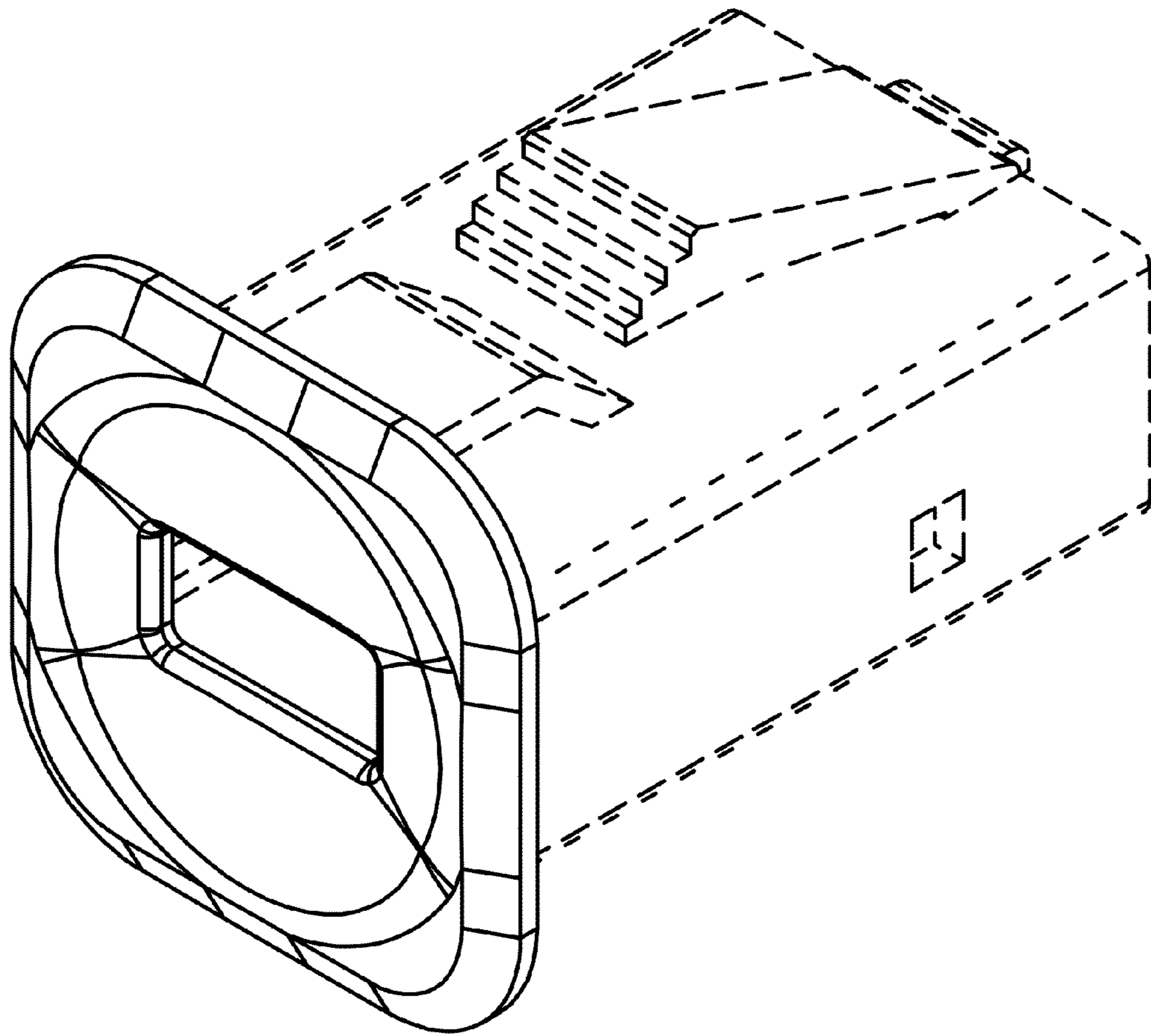


FIG. 1

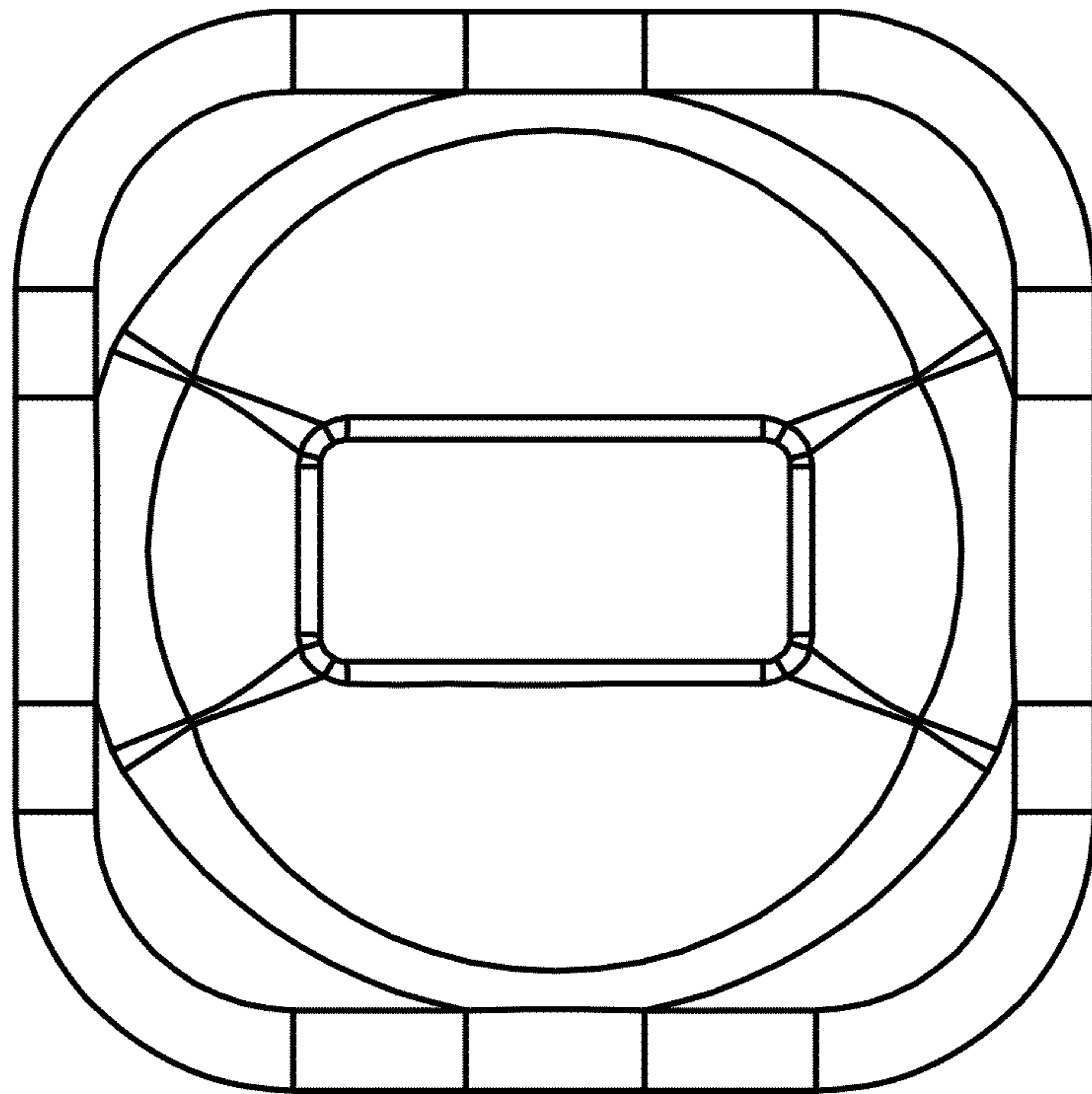


FIG. 2

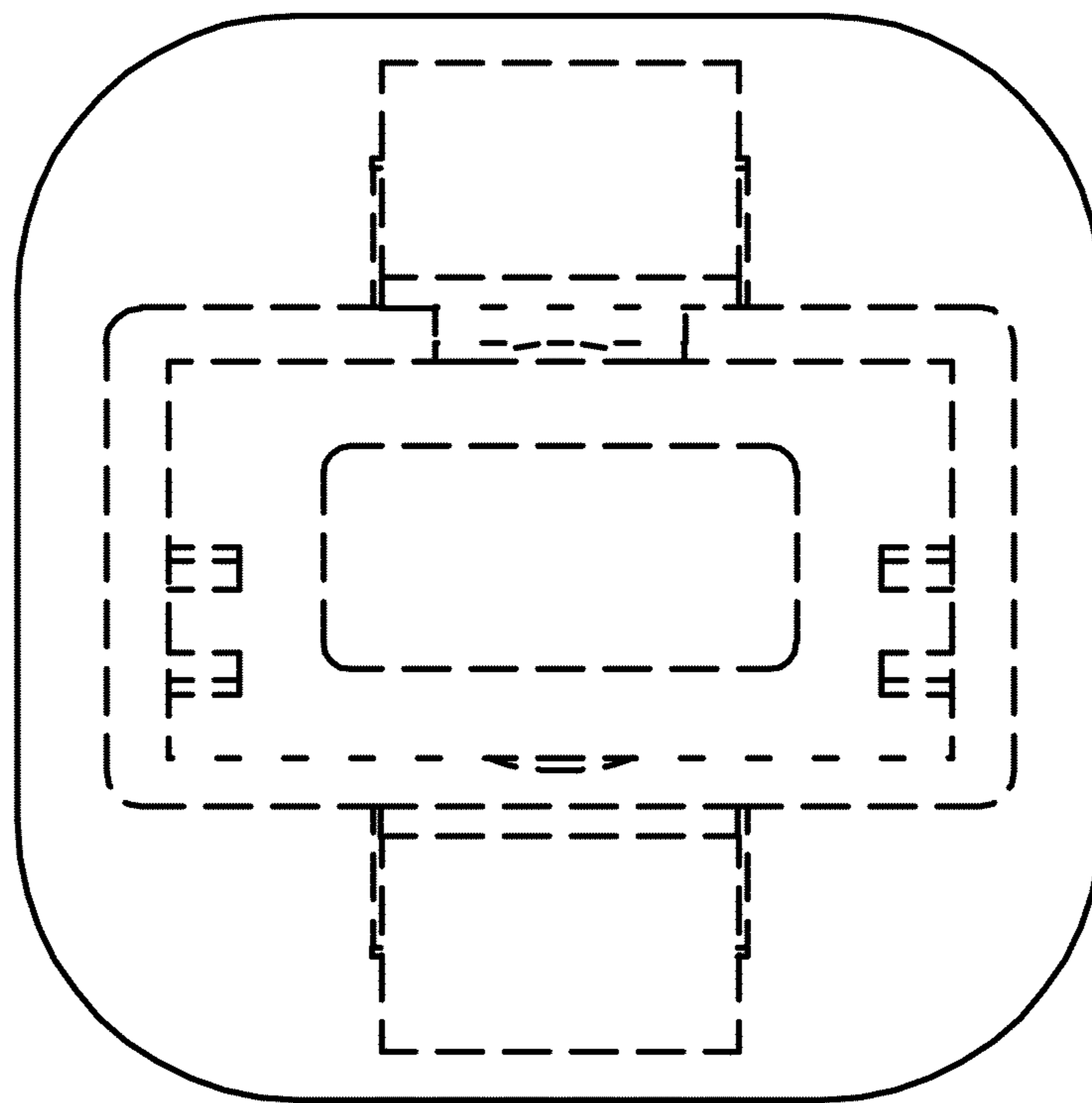


FIG. 3

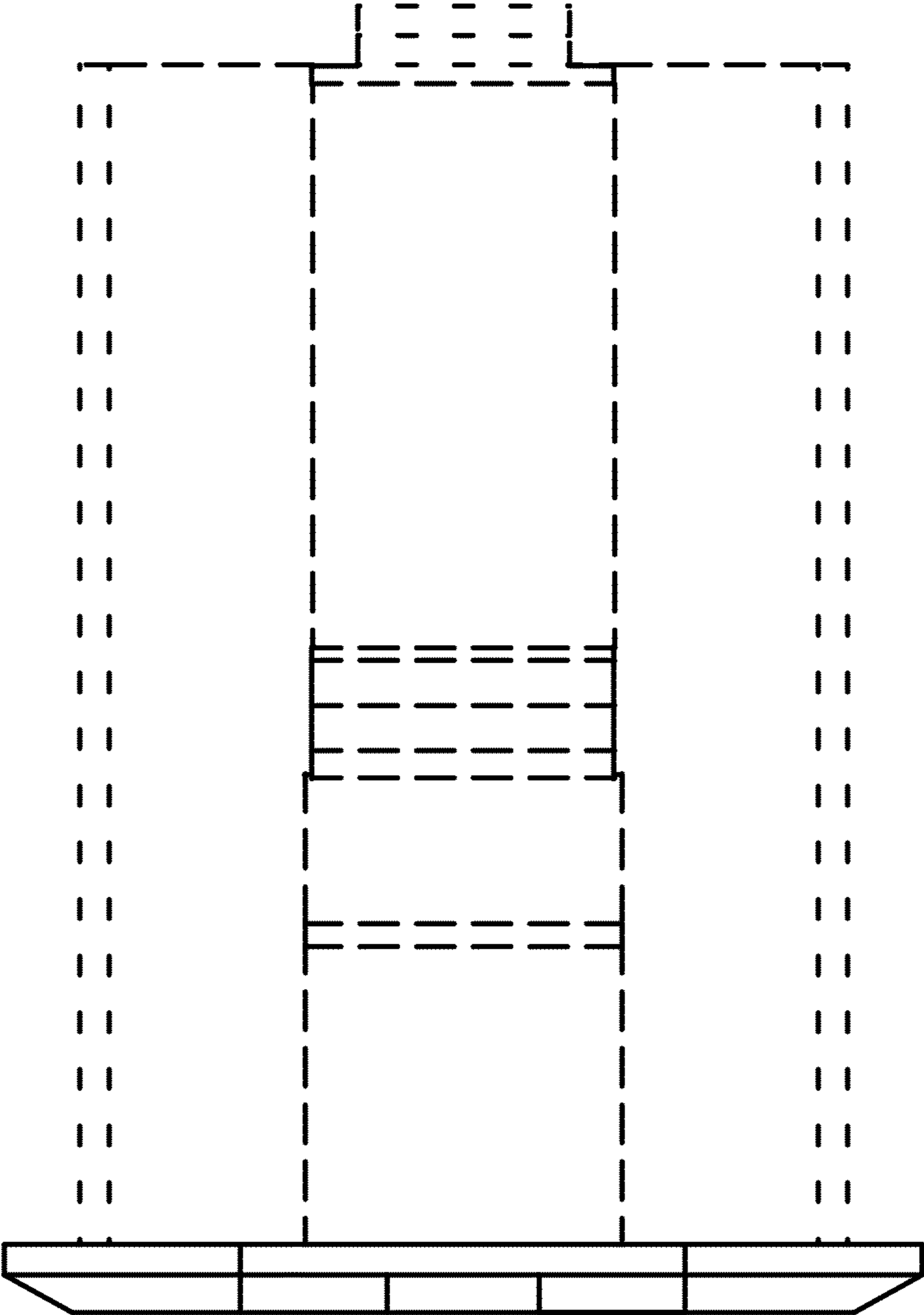


FIG. 4

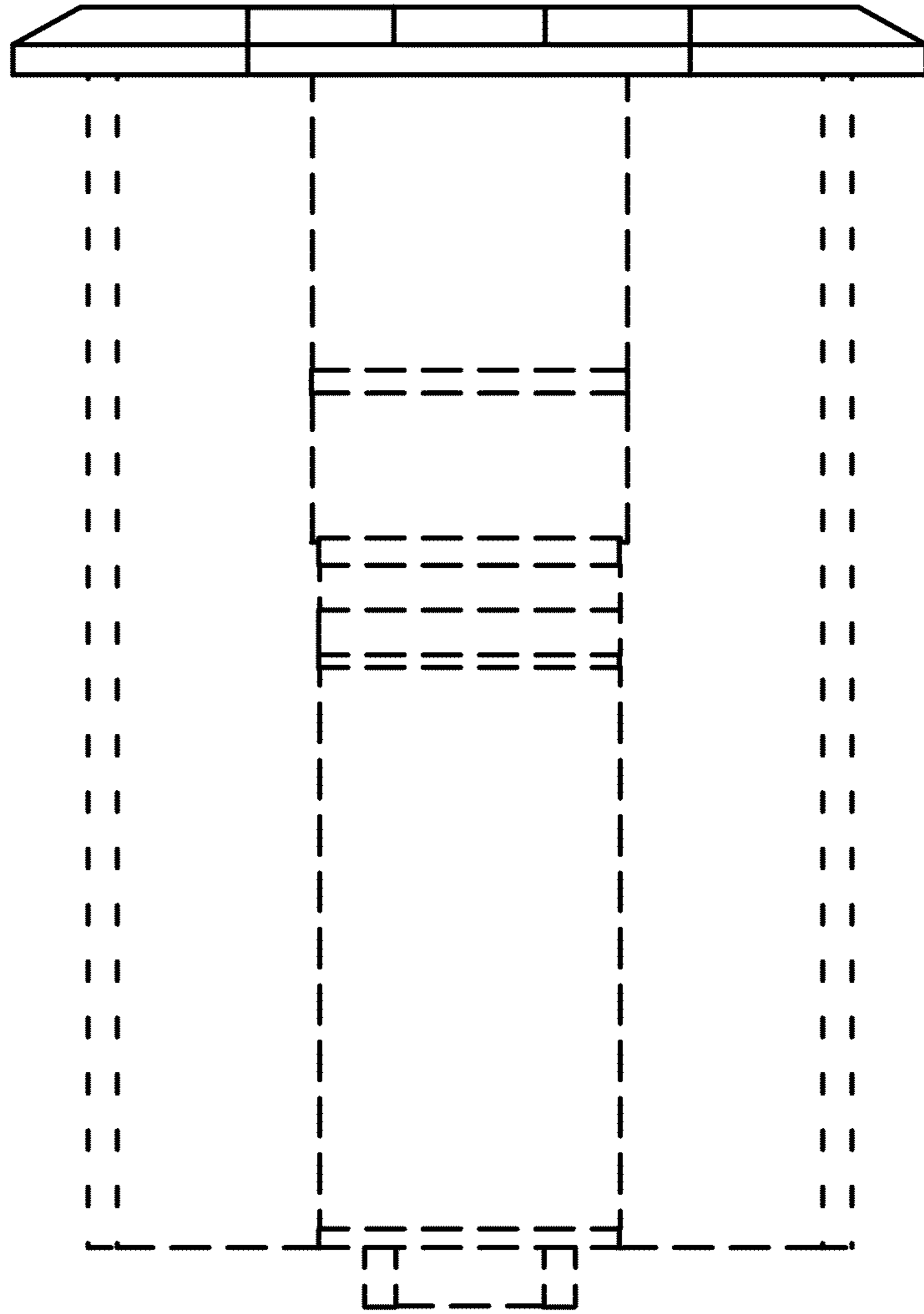


FIG. 5

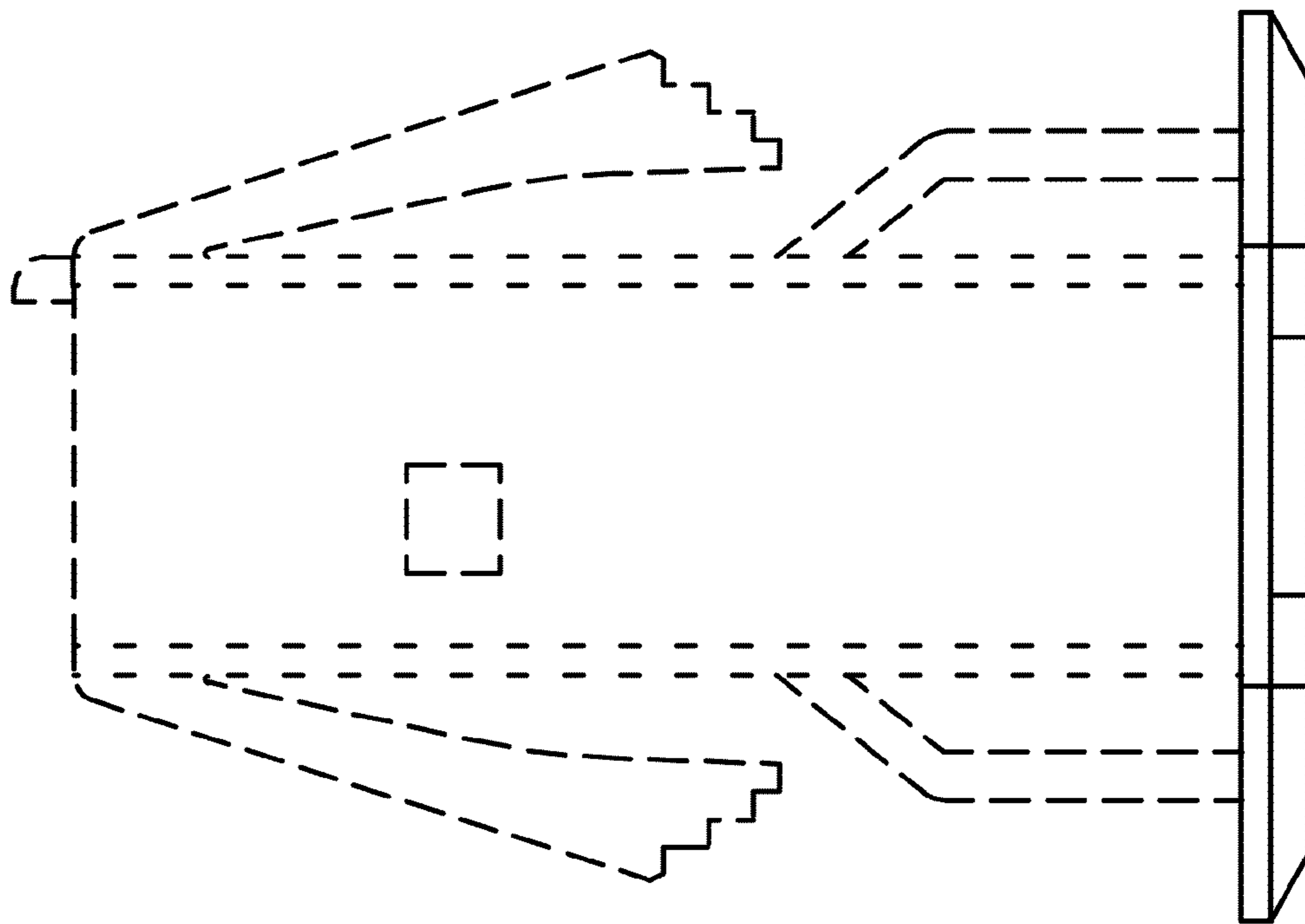


FIG. 6

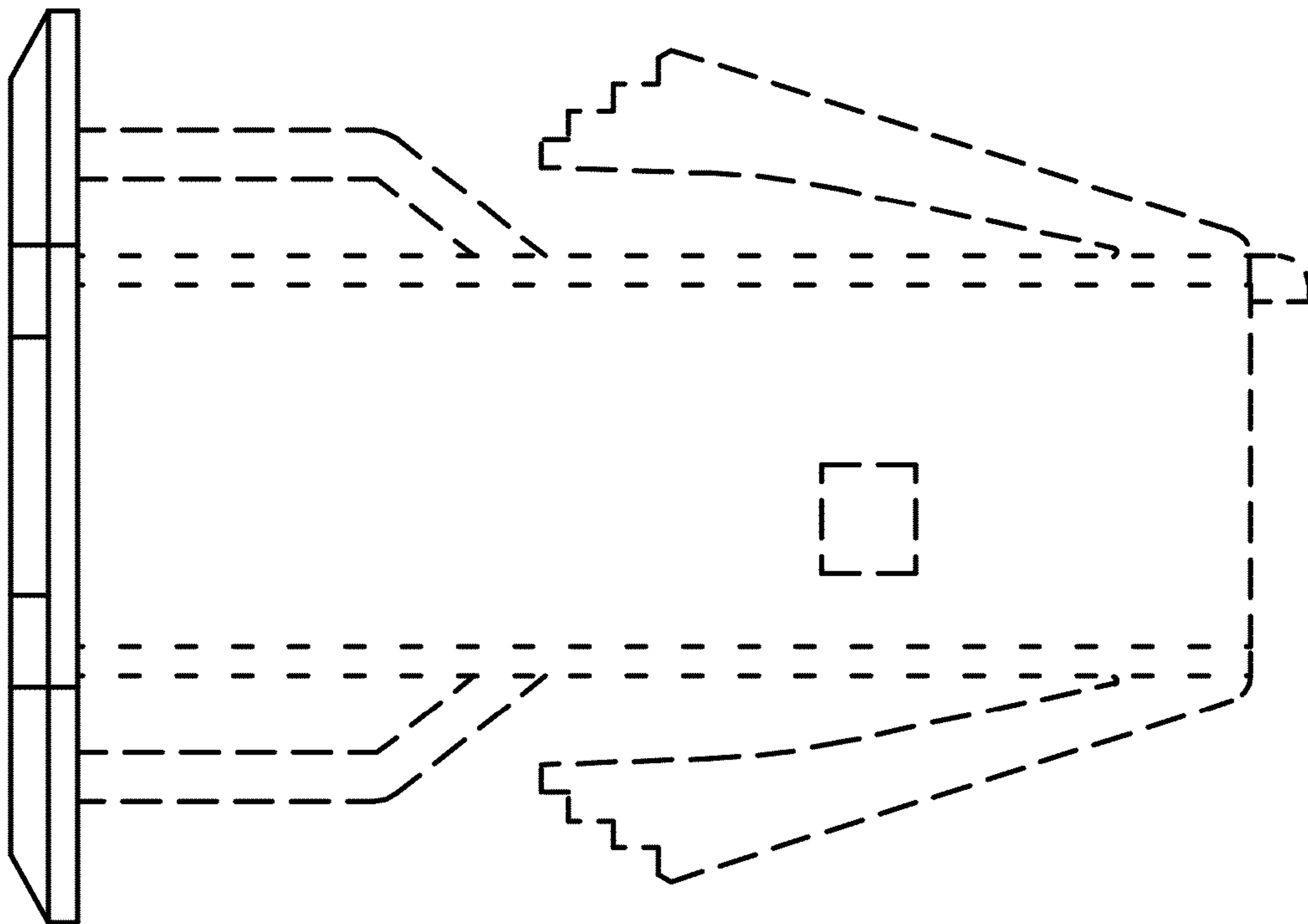


FIG. 7