



US00D730283S

(12) **United States Design Patent**
Dorn et al.

(10) **Patent No.:** **US D730,283 S**
(45) **Date of Patent:** **** May 26, 2015**

(54) **CHARGER**

(71) Applicant: **Raffel Systems, LLC**, Germantown, WI (US)

(72) Inventors: **Douglas Dorn**, Brookfield, WI (US);
Paul Li, Milwaukee, WI (US)

(73) Assignee: **RAFFEL SYSTEMS, LLC**,
Germantown, WI (US)

(**) Term: **14 Years**

(21) Appl. No.: **29/482,957**

(22) Filed: **Feb. 24, 2014**

(51) **LOC (10) Cl.** **13-02**

(52) **U.S. Cl.**
USPC **D13/108**

(58) **Field of Classification Search**

CPC H02J 7/025; H02J 7/0042; H02J 7/0044;
H02J 7/0045; H02J 7/0054; H02J 7/0003;
B60L 11/182; Y02E 60/12; Y02T 10/7005;
Y02T 10/7088; Y02T 90/14; Y02T 90/163;
Y02T 90/122; Y02T 90/128; H01M 2/1022;
H01M 2/1055; H01M 10/46; H01M 10/44;
H01M 10/425; H01F 38/14; H01R 13/6675
USPC D13/107-110, 118-119, 184, 199;
D14/251, 253, 432, 434

See application file for complete search history.

(56) **References Cited**

U.S. PATENT DOCUMENTS

D210,540 S *	3/1968	Mas	D13/110
D212,007 S *	8/1968	Mas	D13/110
D438,536 S *	3/2001	Willison et al.	D14/253
D607,816 S *	1/2010	Chen et al.	D13/108
D652,795 S *	1/2012	Attanasio	D13/118
D676,381 S *	2/2013	McSweyn	D13/108
D697,029 S *	1/2014	Chiu	D13/110

* cited by examiner

Primary Examiner — Rosemary K Tarcza

(74) *Attorney, Agent, or Firm* — Tyler J. Sisk; Casimir Jones, S.C.

(57) **CLAIM**

The ornamental design for a charger, as shown and described.

DESCRIPTION

FIG. 1 is a front perspective view showing our new design of a charger;

FIG. 2 is a front elevational view thereof;

FIG. 3 is a rear elevational view thereof;

FIG. 4 is a left side elevational view thereof;

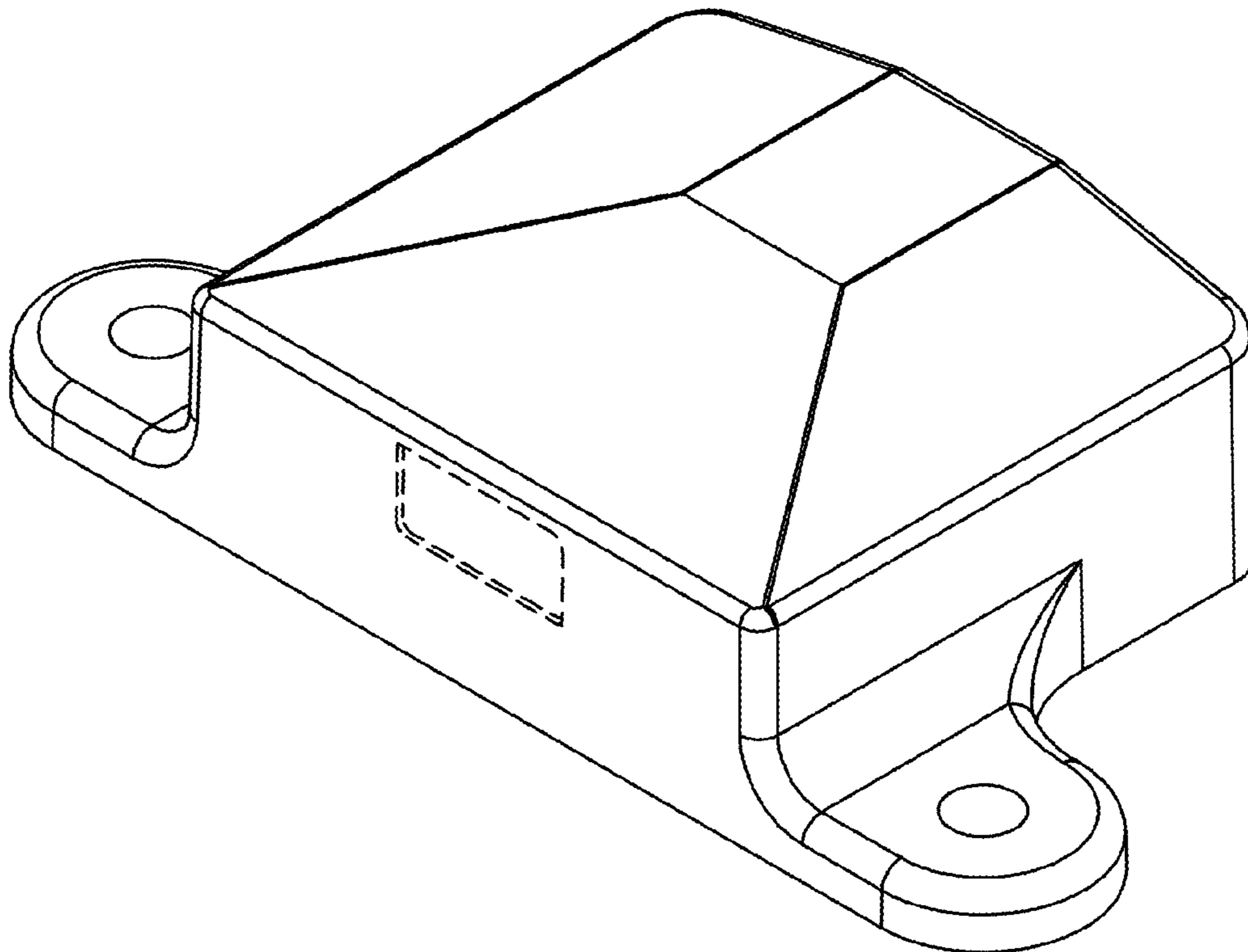
FIG. 5 is a right side elevational view thereof;

FIG. 6 is a top plan view thereof; and,

FIG. 7 is a bottom plan view thereof.

The broken lines shown in FIGS. 1, 2, 3, and 7 are for the purpose of illustrating environment, and form no part of the claimed design.

1 Claim, 4 Drawing Sheets



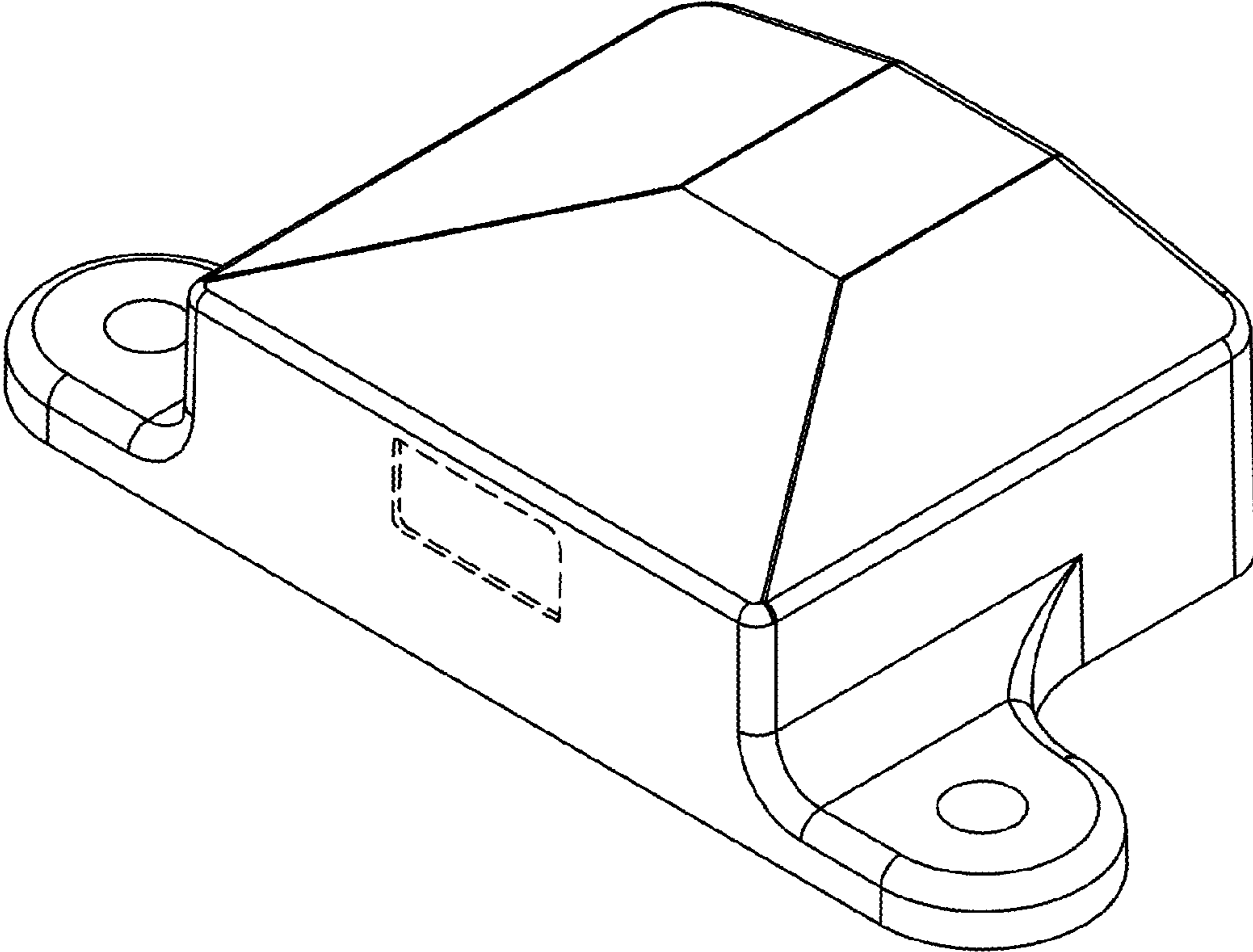


FIG. 1

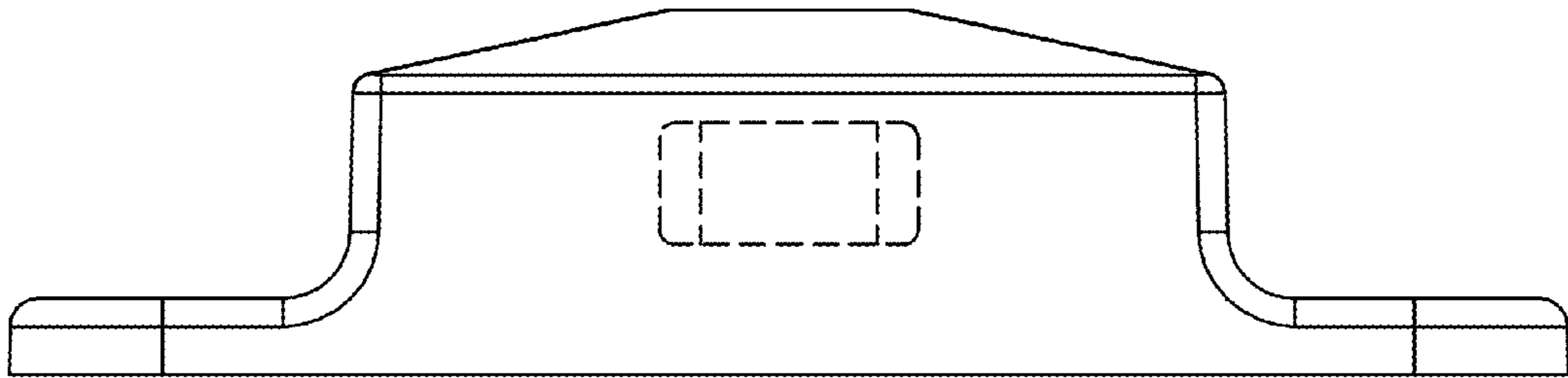


FIG. 2

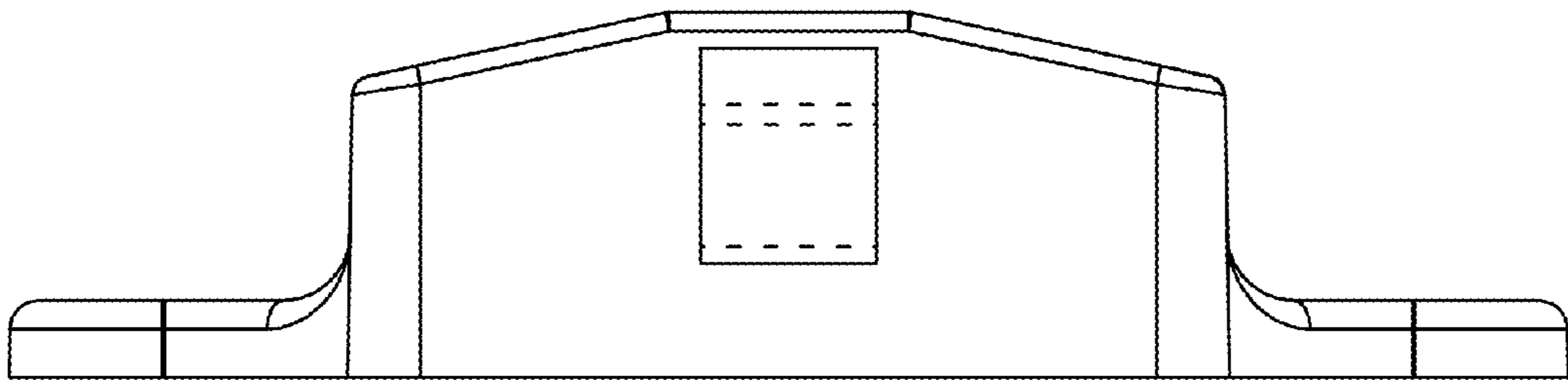


FIG. 3

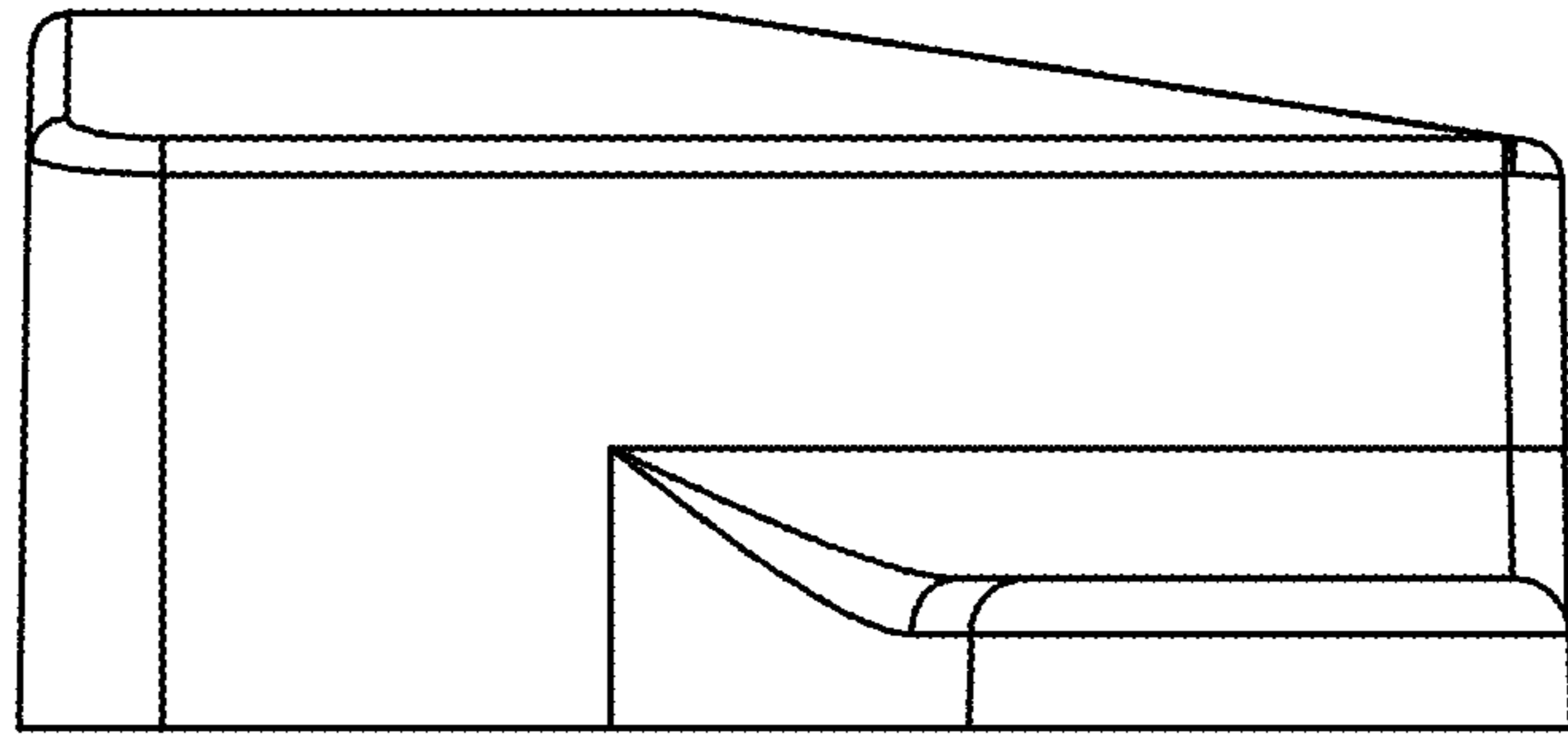


FIG. 4

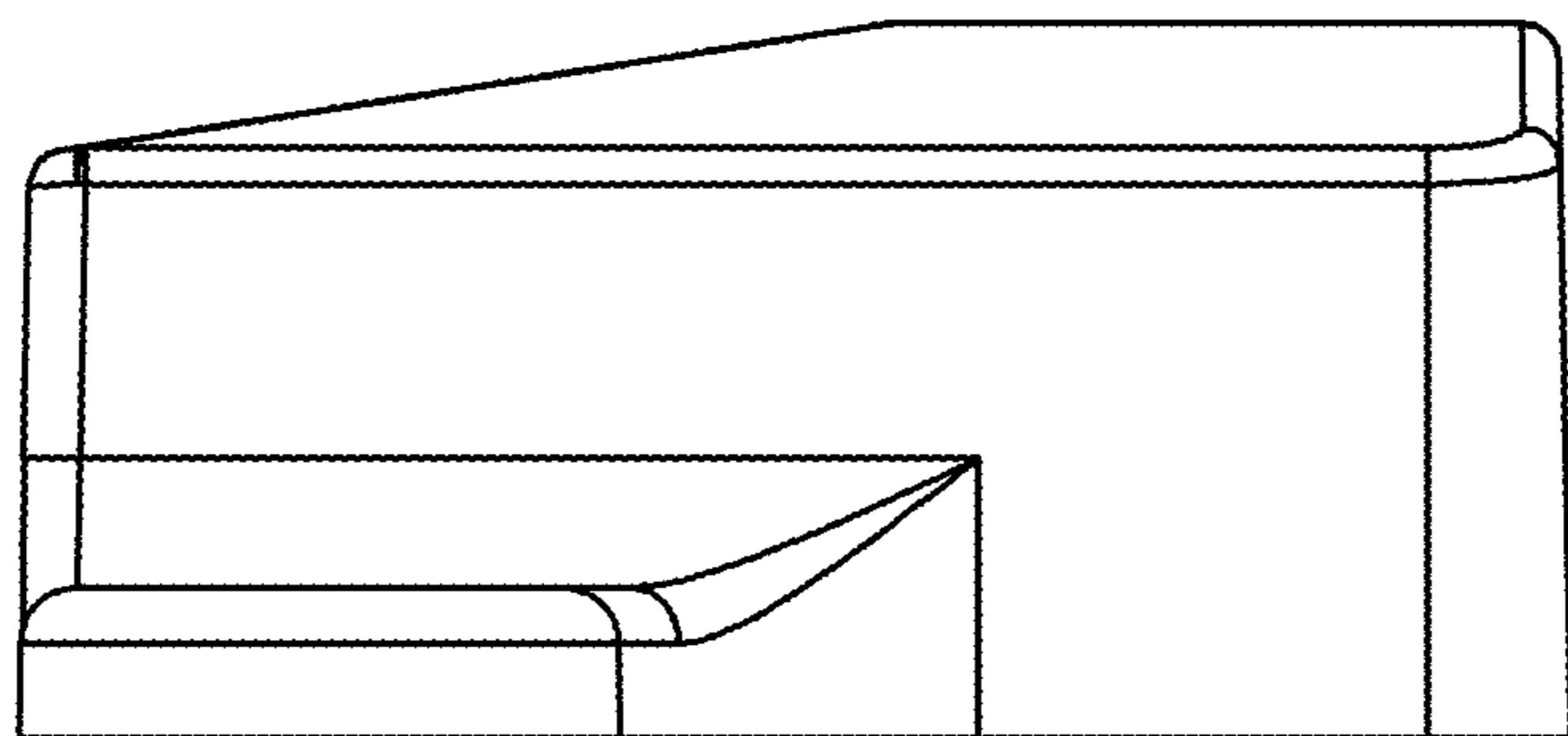


FIG. 5

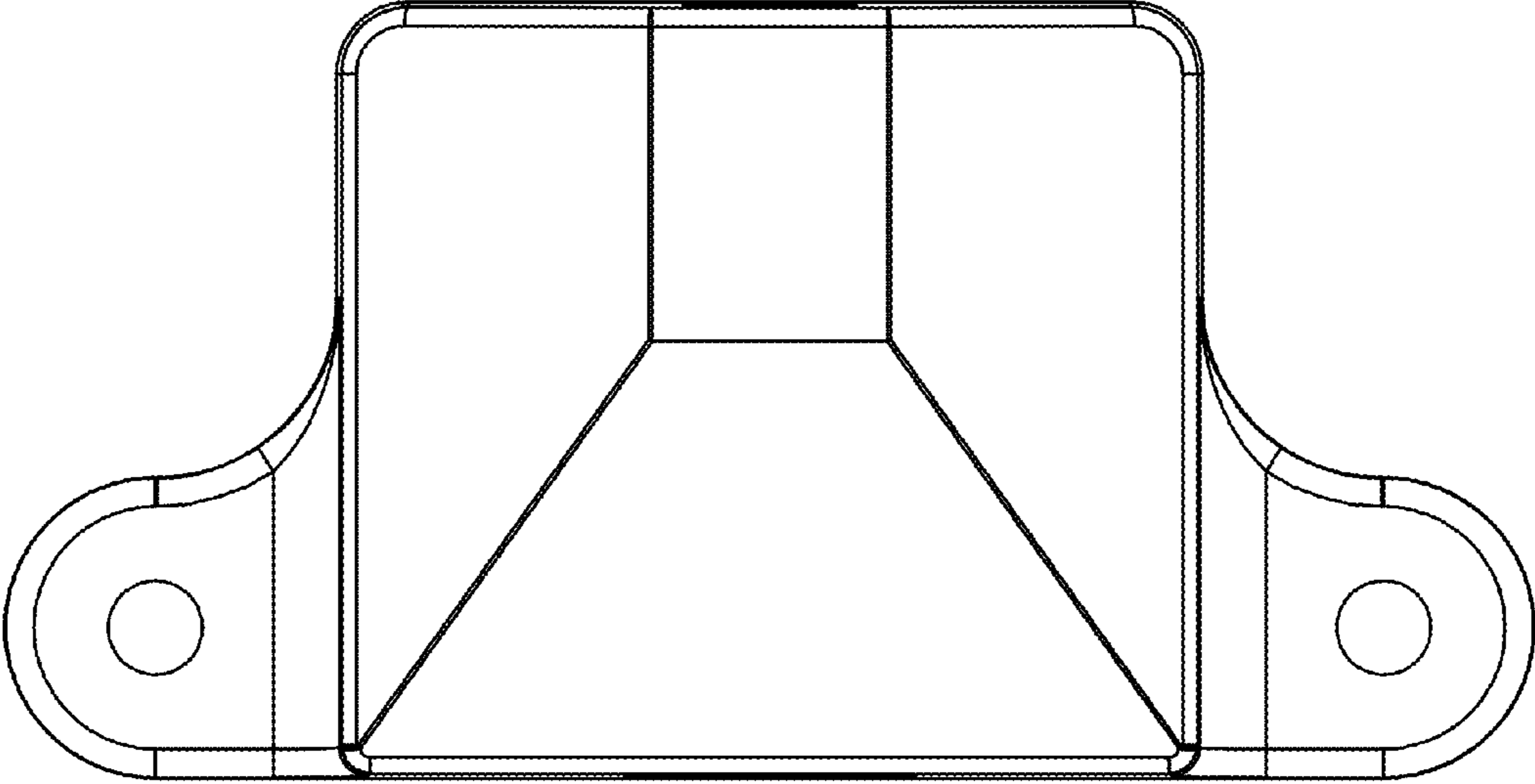


FIG. 6

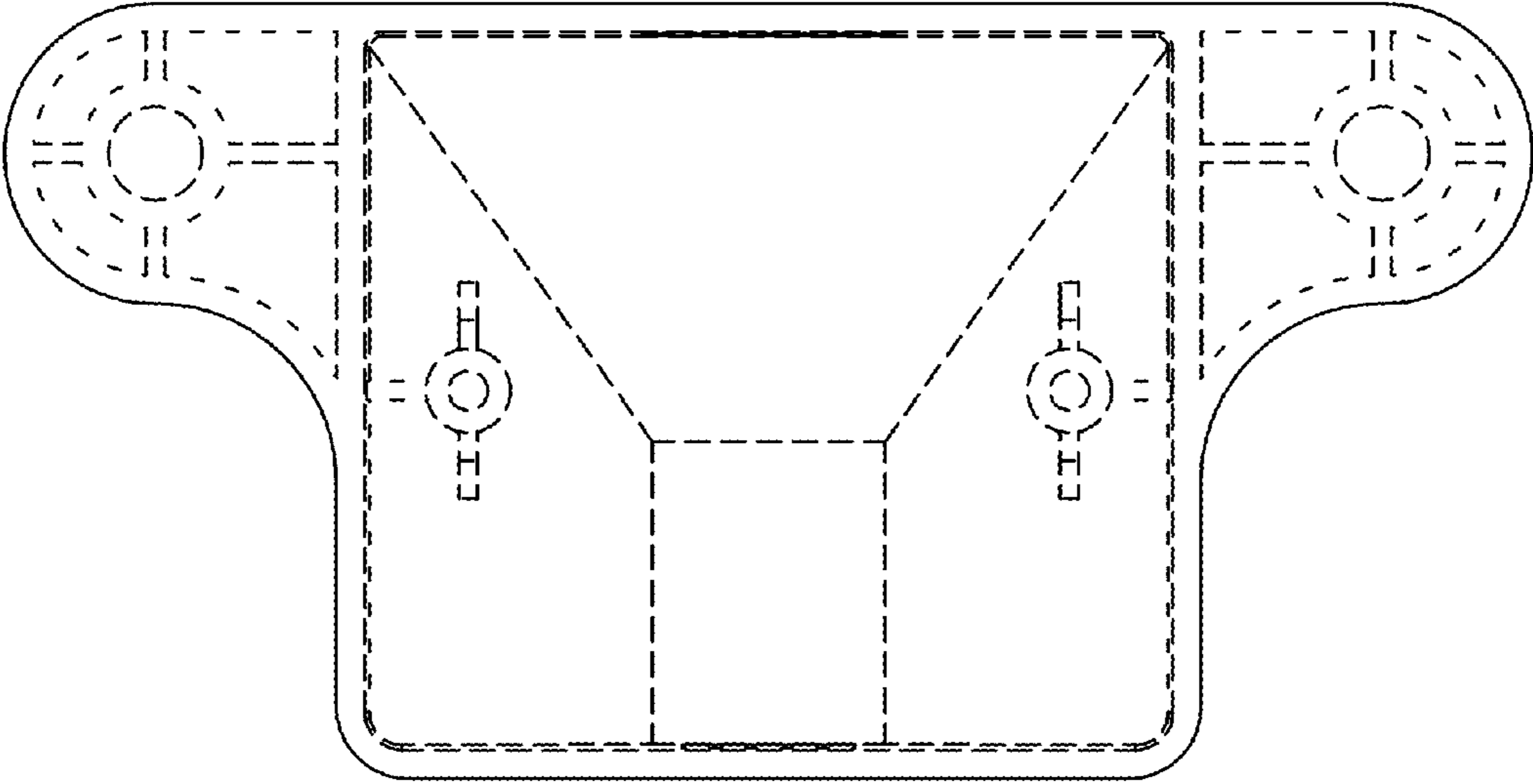


FIG. 7