



US00D730282S

(12) **United States Design Patent**
Miller et al.

(10) **Patent No.:** **US D730,282 S**
(45) **Date of Patent:** **** May 26, 2015**

(54) **PORTABLE POWER CHARGER WITH FLASHLIGHT**

(71) Applicants: **Garold C. Miller**, Glastonbury, CT (US); **Nathan Daniel Weinstein**, Glastonbury, CT (US)

(72) Inventors: **Garold C. Miller**, Glastonbury, CT (US); **Nathan Daniel Weinstein**, Glastonbury, CT (US)

(73) Assignee: **Halo2Cloud, LLC**, Glastonbury, CT (US)

(**) Term: **14 Years**

(21) Appl. No.: **29/470,499**

(22) Filed: **Oct. 22, 2013**

Related U.S. Application Data

(63) Continuation-in-part of application No. 29/449,666, filed on Mar. 15, 2013, and a continuation-in-part of application No. 13/800,825, filed on Mar. 13, 2013.

(51) **LOC (10) Cl.** **13-02**

(52) **U.S. Cl.**
USPC **D13/108**; D13/103; D26/38

(58) **Field of Classification Search**
USPC D13/102–110, 118–119, 184, 199; D14/356, 432; 320/103, 111–115, 320/135–146; 362/253, 200–202, 204–205, 362/194–196; D26/37–38, 46, 48, 50–52
See application file for complete search history.

(56) **References Cited**

U.S. PATENT DOCUMENTS

D179,114 S * 11/1956 Brody D3/209
D277,415 S * 1/1985 Berger D26/46
D320,600 S * 10/1991 Yuen D14/168
D371,616 S 7/1996 Porth et al.
D532,372 S * 11/2006 Keating D13/108

D532,745 S * 11/2006 Gaber et al. D13/108
D539,218 S * 3/2007 Gaber et al. D13/108
D562,480 S * 2/2008 Spartano et al. D26/46
D598,374 S * 8/2009 Sasada D13/108
D645,816 S * 9/2011 Sasada et al. D13/108
D645,817 S * 9/2011 Sasada et al. D13/108
D665,346 S * 8/2012 Kumagai et al. D13/108
D676,993 S * 2/2013 Kotsis et al. D26/46

(Continued)

OTHER PUBLICATIONS

Cheap 2500mAh Mobile External Power Battery Charger for iPho . . . , <http://www.everbuying.com/product172197.html>, entitled “2500mAh Mobile External Power Battery Charger for iPhone 4/4S, Various Mobile Phones and Digital Devices”, dated Dec. 28, 2012, pp. 1 through 7.

(Continued)

Primary Examiner — Rosemary K Tarcza

(74) *Attorney, Agent, or Firm* — McCormick, Paulding & Huber, LLP

(57) **CLAIM**

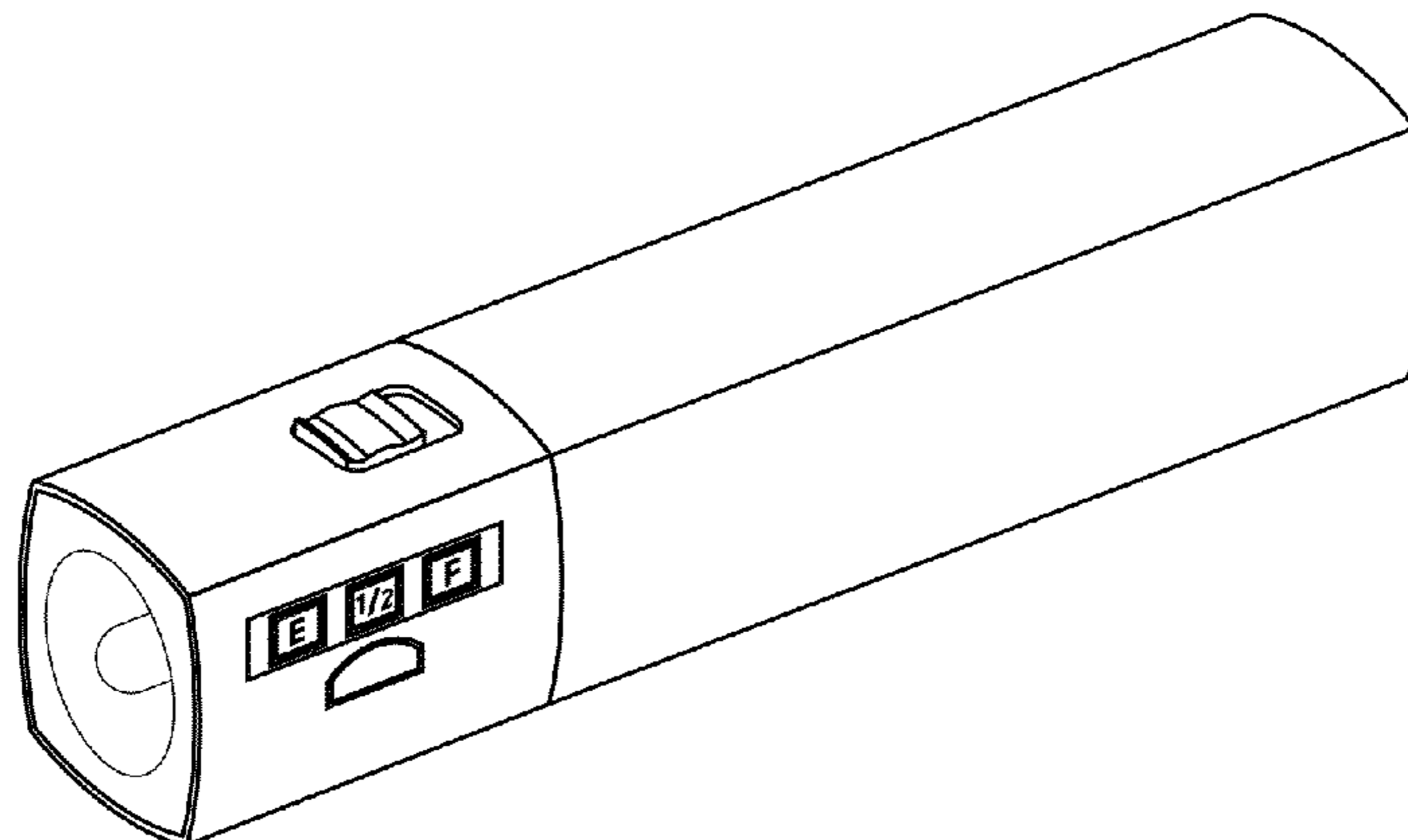
The ornamental design for a portable power charger with flashlight, substantially as shown.

DESCRIPTION

FIG. 1 is a front, top, left-hand side perspective view of a portable power charger with flashlight comprising a new, original and ornamental design;
FIG. 2 is a front view thereof;
FIG. 3 is a bottom view thereof;
FIG. 4 is a rear view thereof;
FIG. 5 is a top view thereof;
FIG. 6 is a left-hand side view thereof; and,
FIG. 7 is a right-hand side view thereof.

The broken line portion of the figure drawings is included to show unclaimed subject matter only and forms no part of the claimed design.

1 Claim, 2 Drawing Sheets



(56)

References Cited

U.S. PATENT DOCUMENTS

D686,155 S * 7/2013 Nguyen D13/103
D690,449 S 9/2013 Yeh
D695,216 S * 12/2013 Miller et al. D13/108
D702,632 S * 4/2014 Salmon D13/108
D703,134 S * 4/2014 Wong D13/108
D711,820 S * 8/2014 Zeng D13/108
D713,335 S * 9/2014 Mao D13/108
2007/0241721 A1 * 10/2007 Weinstein et al. 320/114

OTHER PUBLICATIONS

Amazon.com: Anker® Astro Mini 2600mAh—Ultra-Compant
Li . . . , http://www.amazon.com/gp/product/Boo5X1Y7I2/ref=oh_
details . . . , dated Dec. 28, 2012, pp. 1 through 6.
Cheap 2600mAh Aluminum Tubes Cylindrical Mobile Power
for . . . , <http://www/everbuying.com/product170.html>, entitled
“2600mAh Aluminum Tubes Cylindrical Mobile Power for iPhone
4/4S, Various Cell Phones and Digital Devices (Rose)”, dated Dec.
28, 2012, pp. 1 through 7.

* cited by examiner

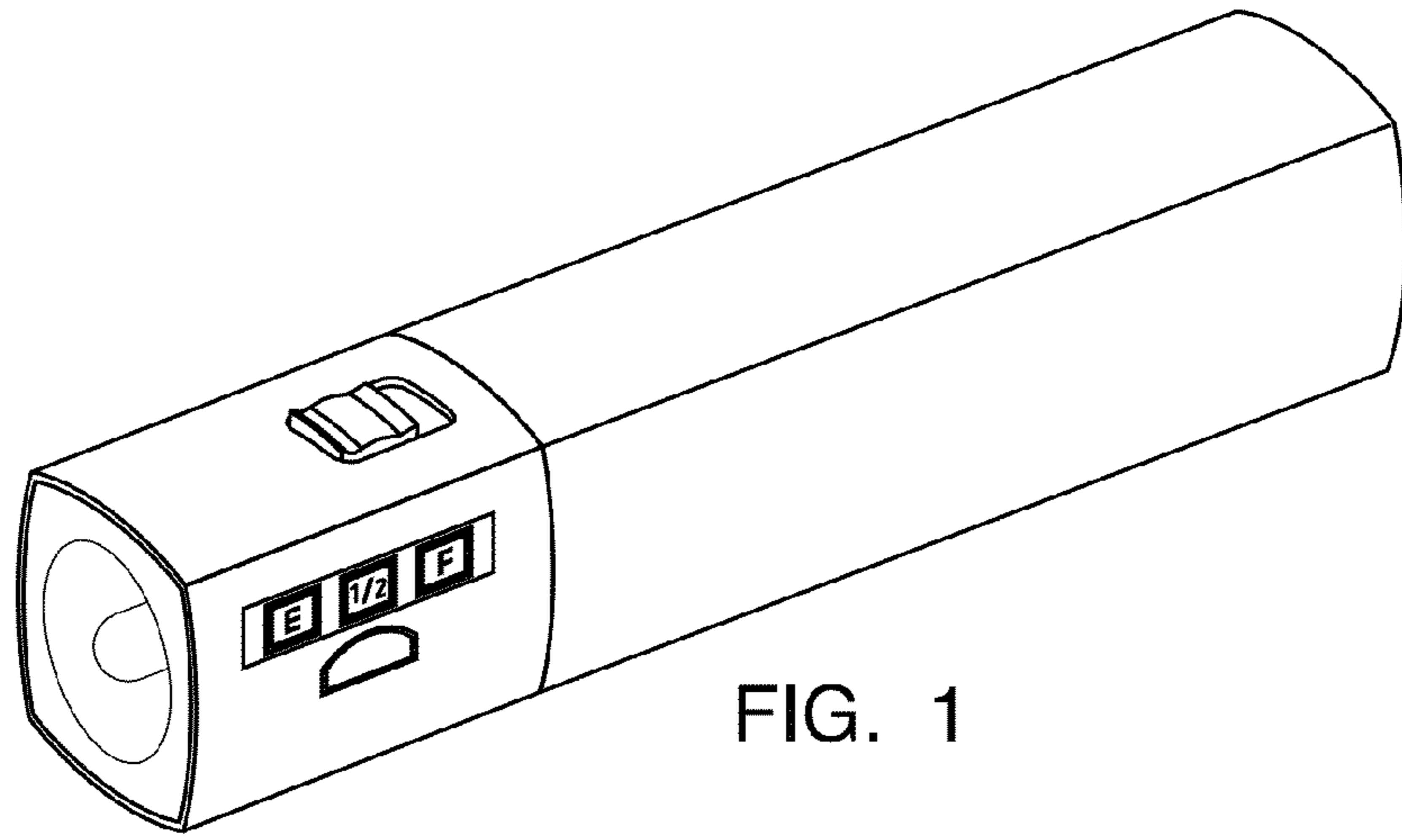


FIG. 1

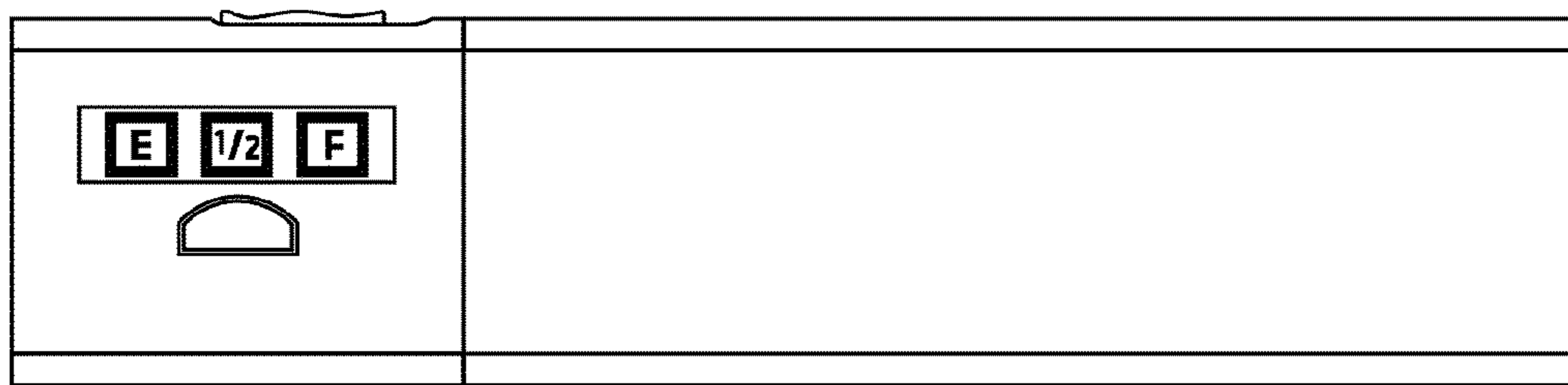


FIG. 2

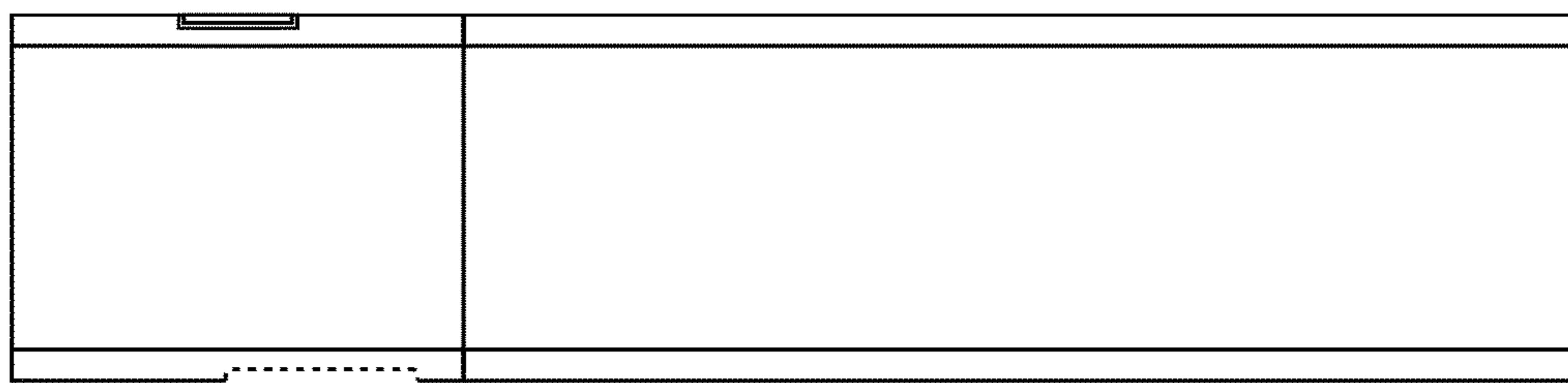


FIG. 3

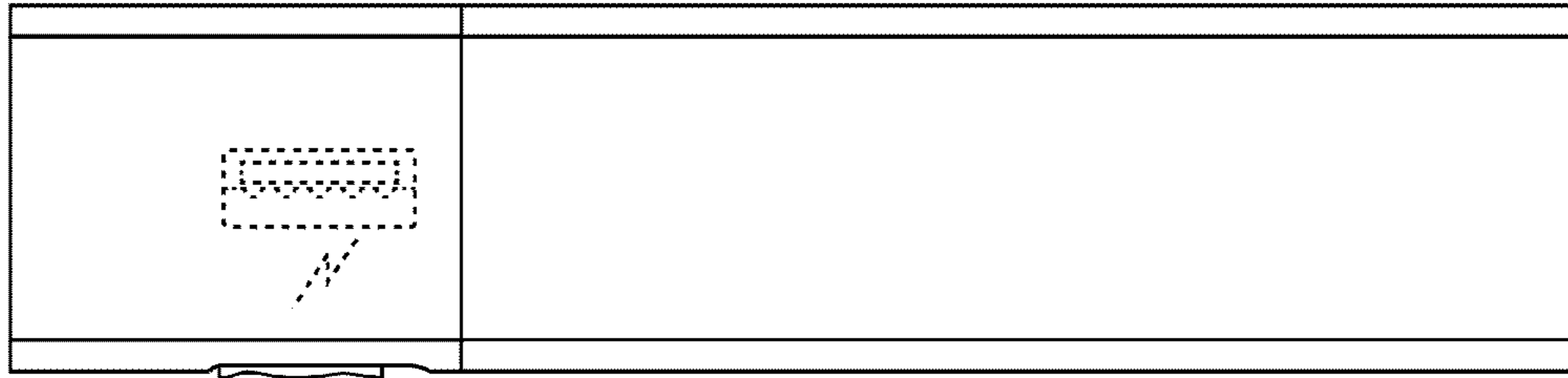


FIG. 4

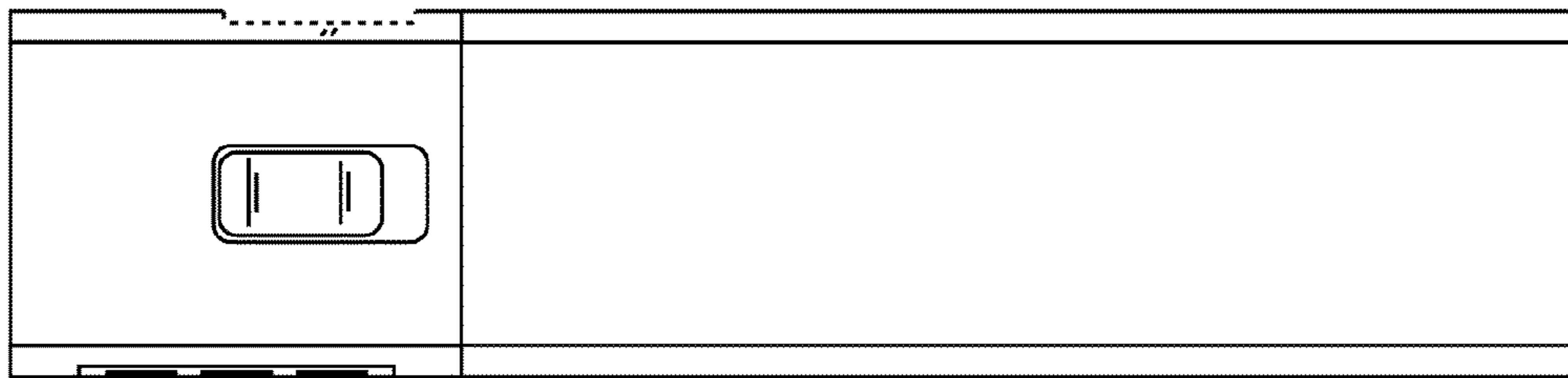


FIG. 5

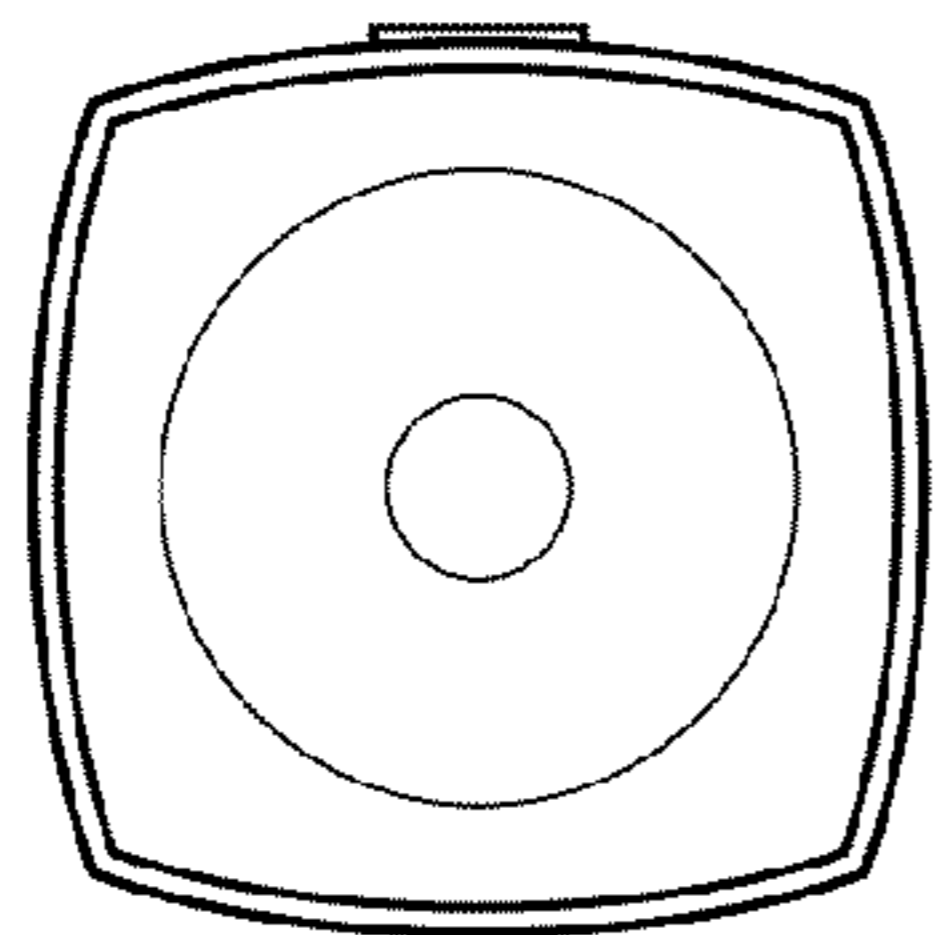


FIG. 6

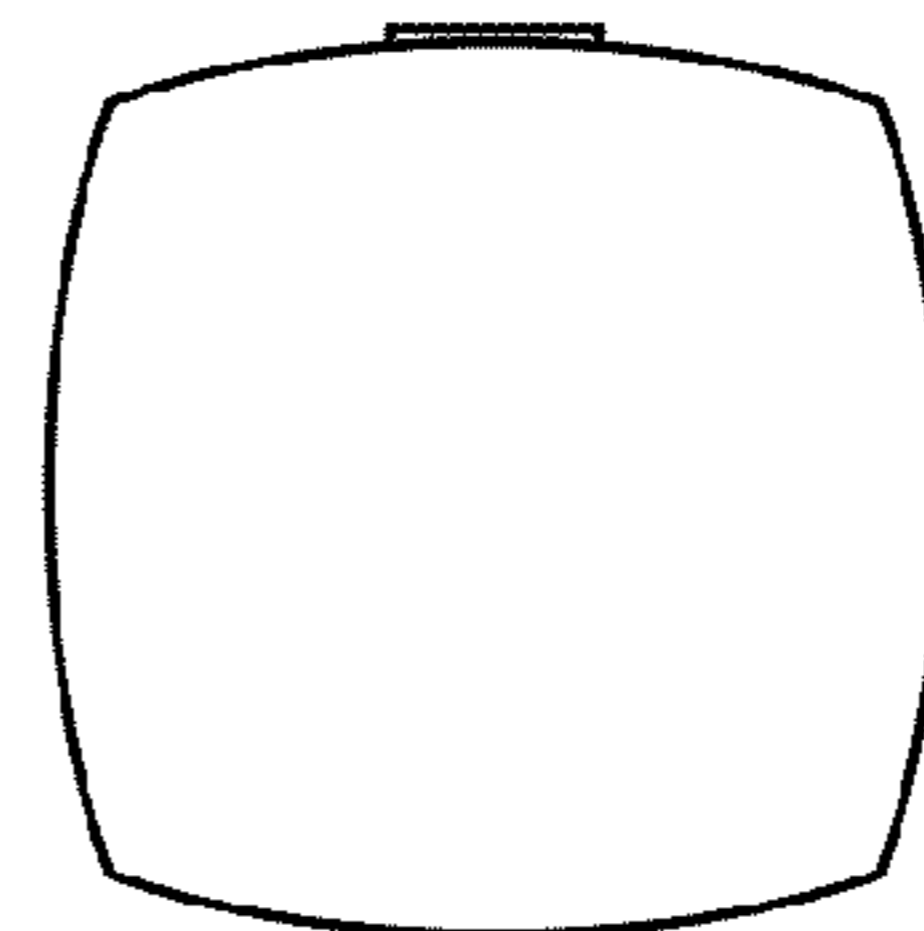


FIG. 7