



US00D730281S

(12) **United States Design Patent**
Zhang

(10) **Patent No.:** **US D730,281 S**
(45) **Date of Patent:** **** May 26, 2015**

(54) **BATTERY CHARGER**

(71) Applicant: **CHERVON (HK) LIMITED**, Wanchai (HK)

(72) Inventor: **Su Zhang**, Nanjing (CN)

(73) Assignee: **Chervon (HK) Limited**, Hong Kong (HK)

(**) Term: **14 Years**

(21) Appl. No.: **29/480,734**

(22) Filed: **Jan. 29, 2014**

(30) **Foreign Application Priority Data**

Aug. 2, 2013 (CN) 2013 3 0369900

(51) **LOC (10) Cl.** **13-02**

(52) **U.S. Cl.**
USPC **D13/107**

(58) **Field of Classification Search**
USPC D13/107-110, 118-119, 184, 199;
D14/251, 253, 432, 434; 320/107-115,
320/128, 137-140
See application file for complete search history.

(56) **References Cited**

U.S. PATENT DOCUMENTS

D446,184 S * 8/2001 Parker D13/107
D455,397 S * 4/2002 Weiner et al. D13/108

D506,437 S * 6/2005 Nishizawa D13/108
D541,740 S * 5/2007 Tsai et al D13/108
D551,617 S * 9/2007 Houghton D13/108
D562,230 S * 2/2008 Houghton D13/107
D588,985 S * 3/2009 O'Hern D13/107
D613,684 S * 4/2010 Nishizawa D13/108
D659,636 S * 5/2012 Okuda et al. D13/108
D662,469 S * 6/2012 Mulder et al. D13/107
D668,219 S * 10/2012 Zhao et al. D13/107
D691,947 S * 10/2013 Cole et al. D13/108
2011/0073658 A1 * 3/2011 Vassura et al. 235/472.01

* cited by examiner

Primary Examiner — Rosemary K Tarcza

(74) *Attorney, Agent, or Firm* — Greenberg Traurig, LLP

(57) **CLAIM**

What is claimed is the ornamental design for a battery charger, as shown and described.

DESCRIPTION

FIG. 1 is a top plan view of a battery charger showing my new design;

FIG. 2 is a bottom plan view thereof;

FIG. 3 is a left side elevational view thereof;

FIG. 4 is a right side elevational view thereof;

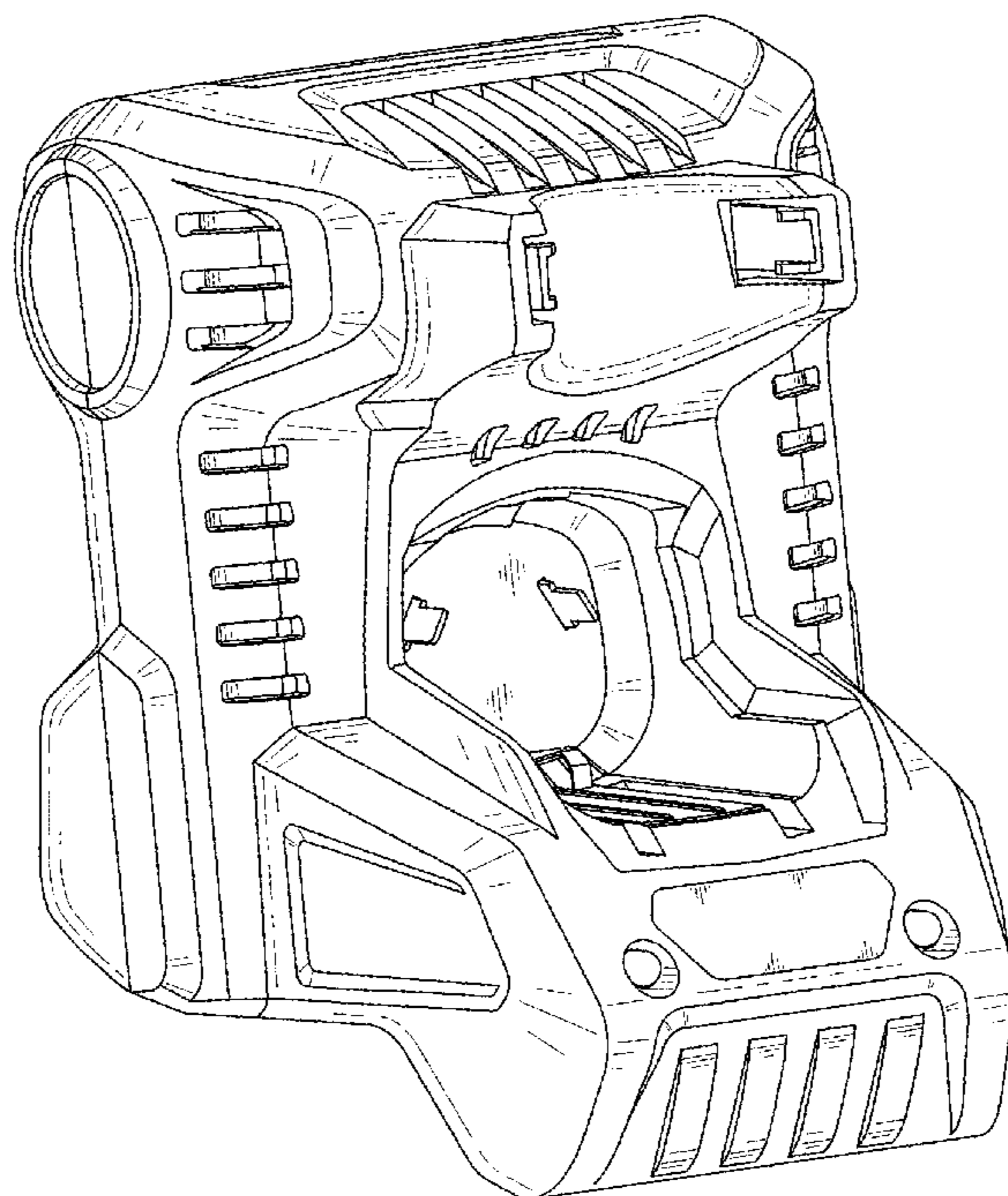
FIG. 5 is a rear side elevational view thereof;

FIG. 6 is a front side elevational view thereof; and,

FIG. 7 is a perspective view thereof.

Any elements shown in dotted and/or dashed lines are provided for illustrative purposes only and form no part of the design claimed. Any surface shading is used solely to show the character or contour of the surfaces represented.

1 Claim, 7 Drawing Sheets



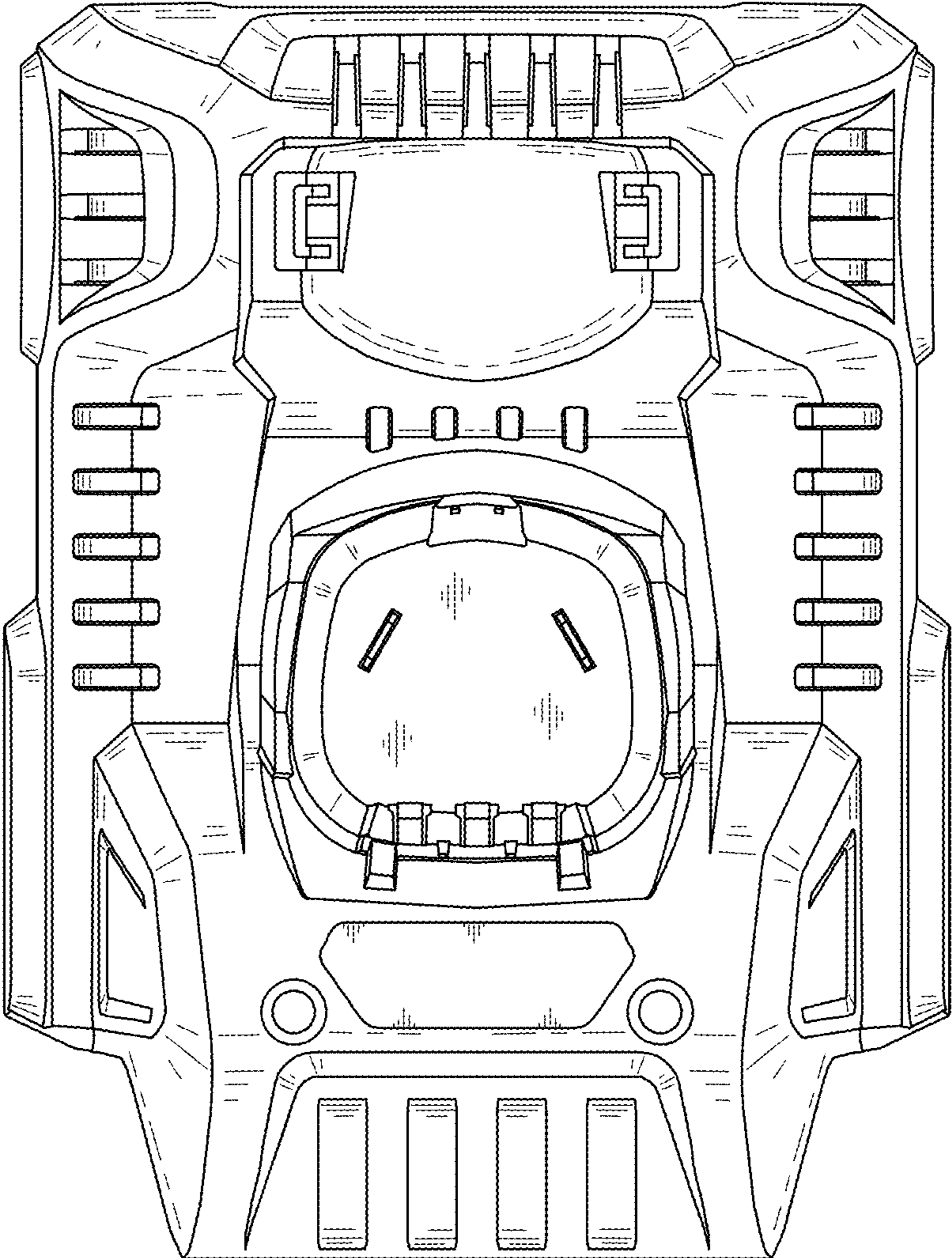


Fig. 1

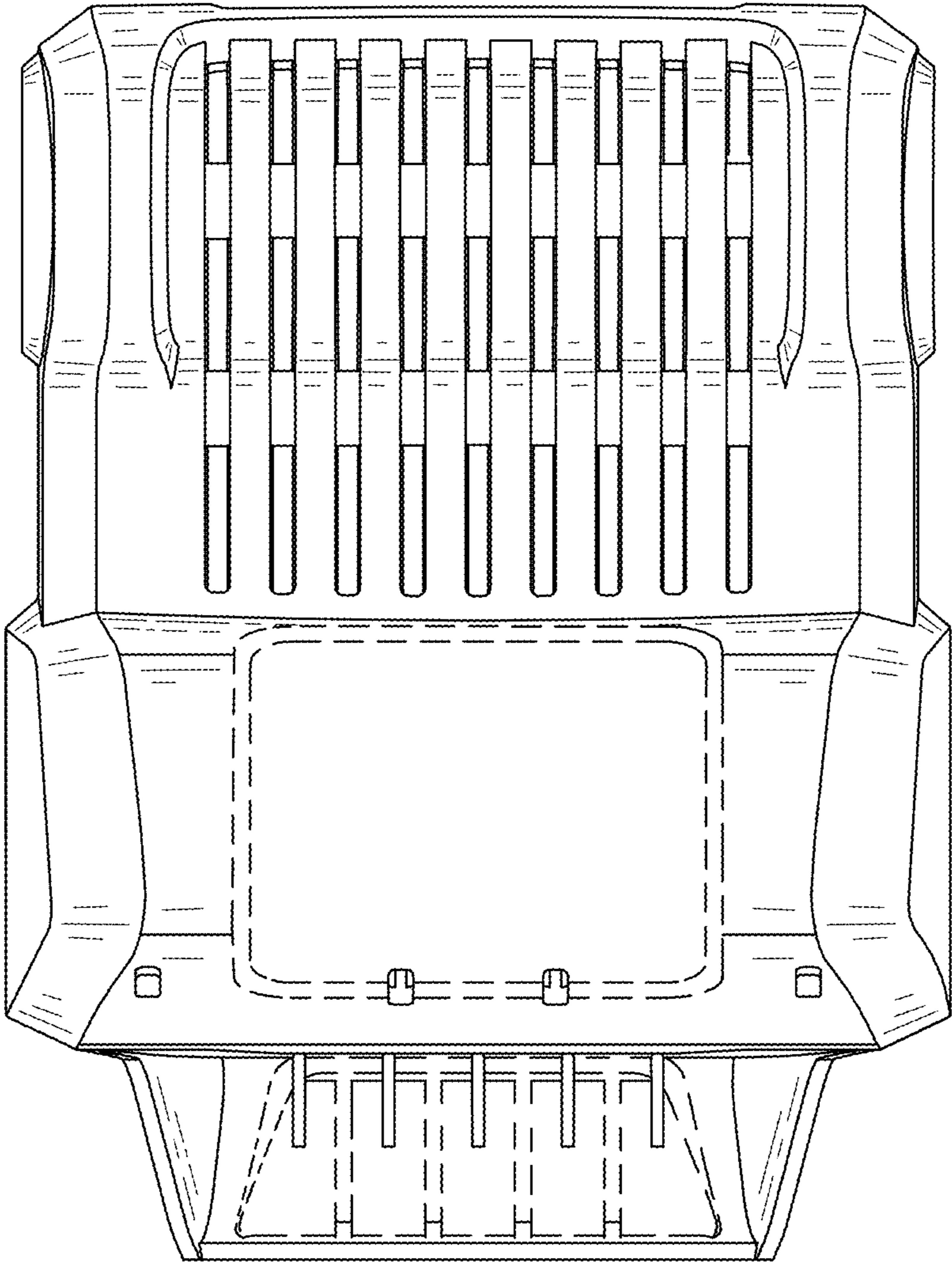


Fig. 2

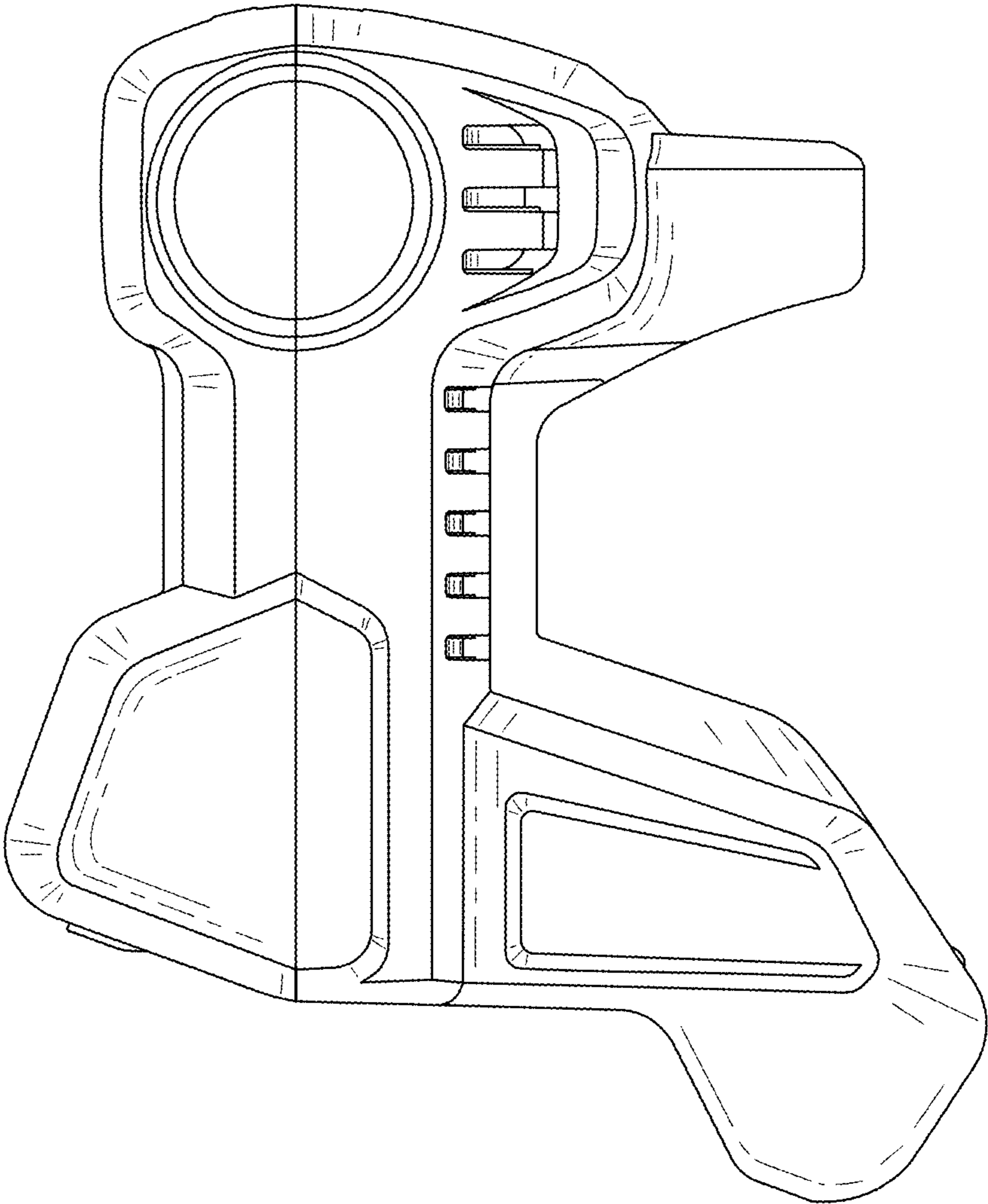


Fig. 3

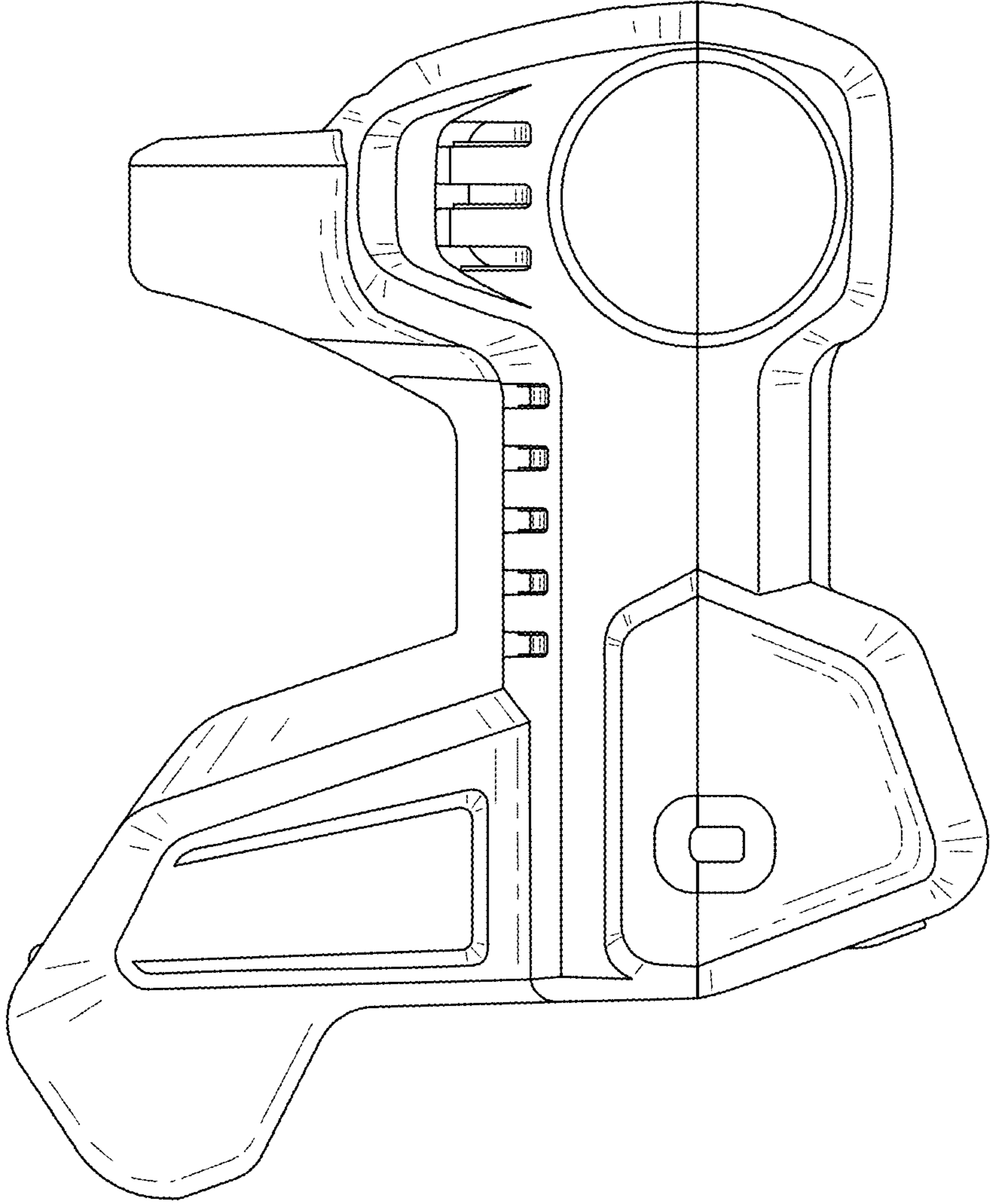


Fig. 4

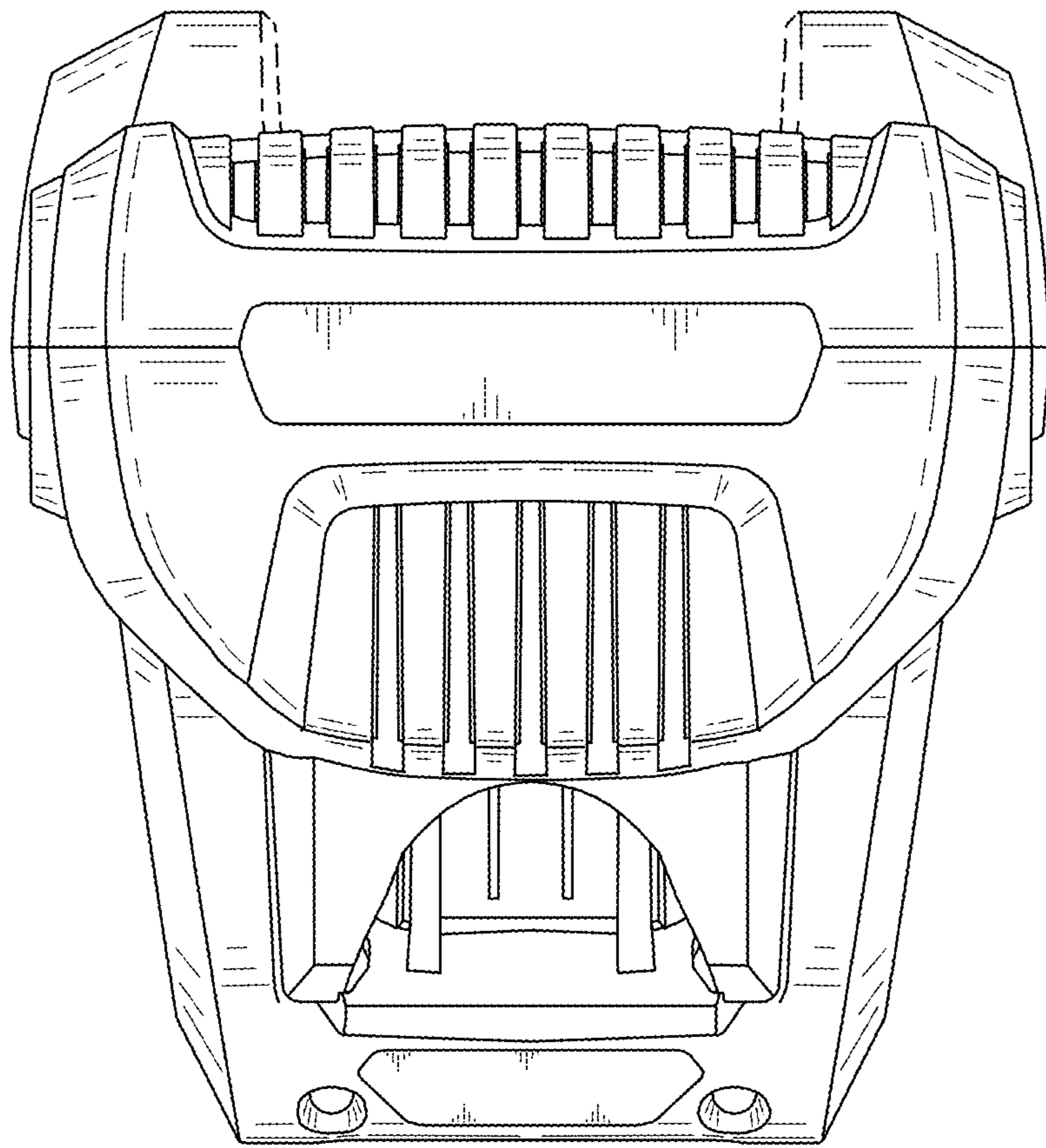


Fig. 5

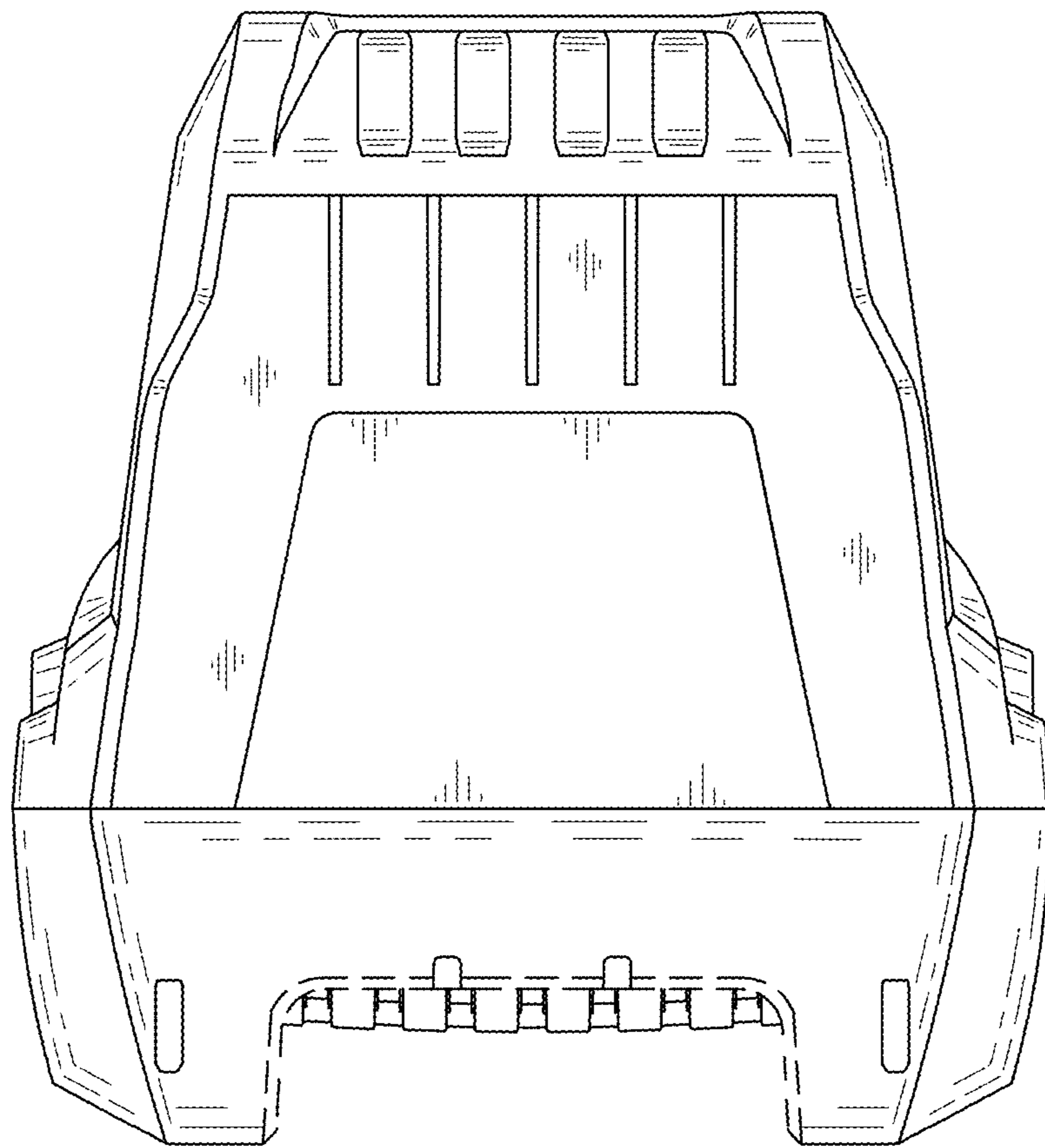


Fig. 6

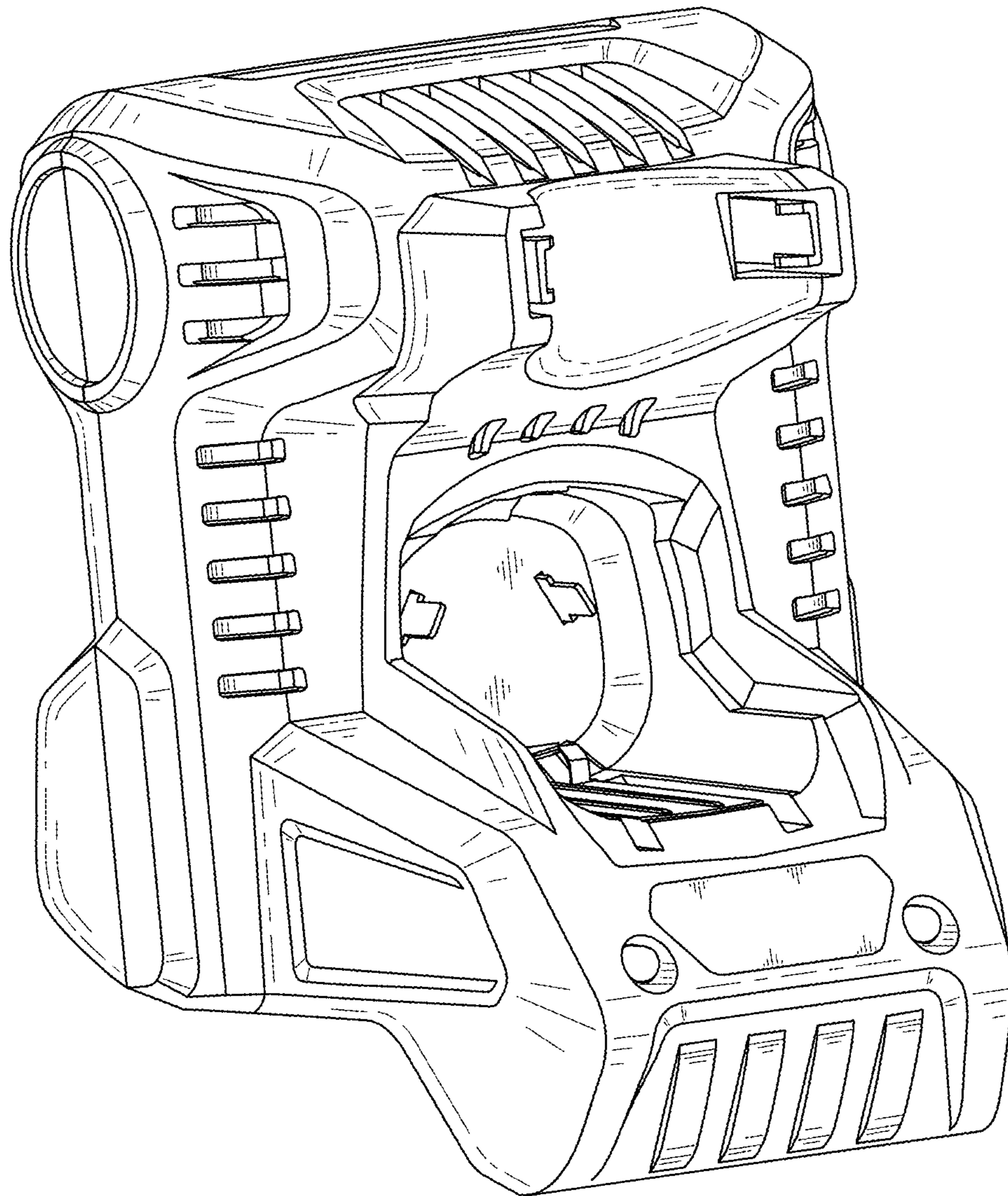


Fig. 7