



US00D730279S

(12) **United States Design Patent**  
**Lin**

(10) **Patent No.:** **US D730,279 S**  
(45) **Date of Patent:** **\*\* May 26, 2015**

(54) **BATTERY FOR AN ELECTRONIC DEVICE**

(71) Applicant: **Limefuel, LLC**, Boulder, CO (US)

(72) Inventor: **Paul Lin**, Boulder, CO (US)

(73) Assignee: **Limefuel, LLC**, Boulder, CO (US)

(\*\*) Term: **14 Years**

(21) Appl. No.: **29/479,883**

(22) Filed: **Jan. 21, 2014**

(51) **LOC (10) Cl.** ..... **13-02**

(52) **U.S. Cl.**  
USPC ..... **D13/103**

(58) **Field of Classification Search**  
CPC ..... Y02E 60/12; Y02E 60/122; Y02E 60/124;  
Y02E 60/50; H01M 2/02; H01M 2/022;  
H01M 2/0202; H01M 2/0207; H01M 2/0212;  
H01M 2/1061; H01M 2/1022; H01M 2/1055;  
H01M 2/1066; H01M 2/105; H01M 2/204;  
H01M 10/4257; H01M 10/0436; H01M 10/48  
USPC ..... D13/102-106, 110, 119-121, 184;  
429/96-100, 163, 176  
See application file for complete search history.

(56) **References Cited**

U.S. PATENT DOCUMENTS

D311,373	S	*	10/1990	Morisse et al.	.....	D13/119
D320,212	S		9/1991	Someya		
D357,896	S		5/1995	Berry		
D363,056	S		10/1995	Vinciarelli et al.		
D375,933	S		11/1996	Kao		
D382,536	S		8/1997	Amero, Jr.		
D409,136	S		5/1999	Sumita et al.		
D409,623	S		5/1999	Bianco		
6,406,811	B1	*	6/2002	Hall et al.	.....	429/96
6,499,190	B2	*	12/2002	Ruiz Rodriguez	.....	16/423
D468,720	S	*	1/2003	Birkholz	.....	D14/205

D496,906	S		10/2004	Vinciarelli et al.		
D506,438	S		6/2005	Vinciarelli et al.		
D509,472	S		9/2005	Vinciarelli et al.		
D517,476	S	*	3/2006	Green	.....	D13/103
D524,242	S		7/2006	Adams et al.		
D531,134	S	*	10/2006	Nielsen et al.	.....	D13/162
D593,489	S	*	6/2009	Yang	.....	D13/103
D629,365	S		12/2010	Garcia De Vicuna		
D662,044	S		6/2012	Lemelman et al.		
D689,019	S		9/2013	Sato et al.		
D705,782	S		5/2014	McParland et al.		
D711,311	S		8/2014	Corbin et al.		
2009/0098443	A1		4/2009	Yamamoto et al.		
2013/0202932	A1		8/2013	Song et al.		

OTHER PUBLICATIONS

Notice of Allowance for U.S. Appl. No. 29/491,238, mailed Jan. 5, 2015, 8 pages.

\* cited by examiner

*Primary Examiner* — Rosemary K Tarcza  
(74) *Attorney, Agent, or Firm* — Sheridan Ross P.C.

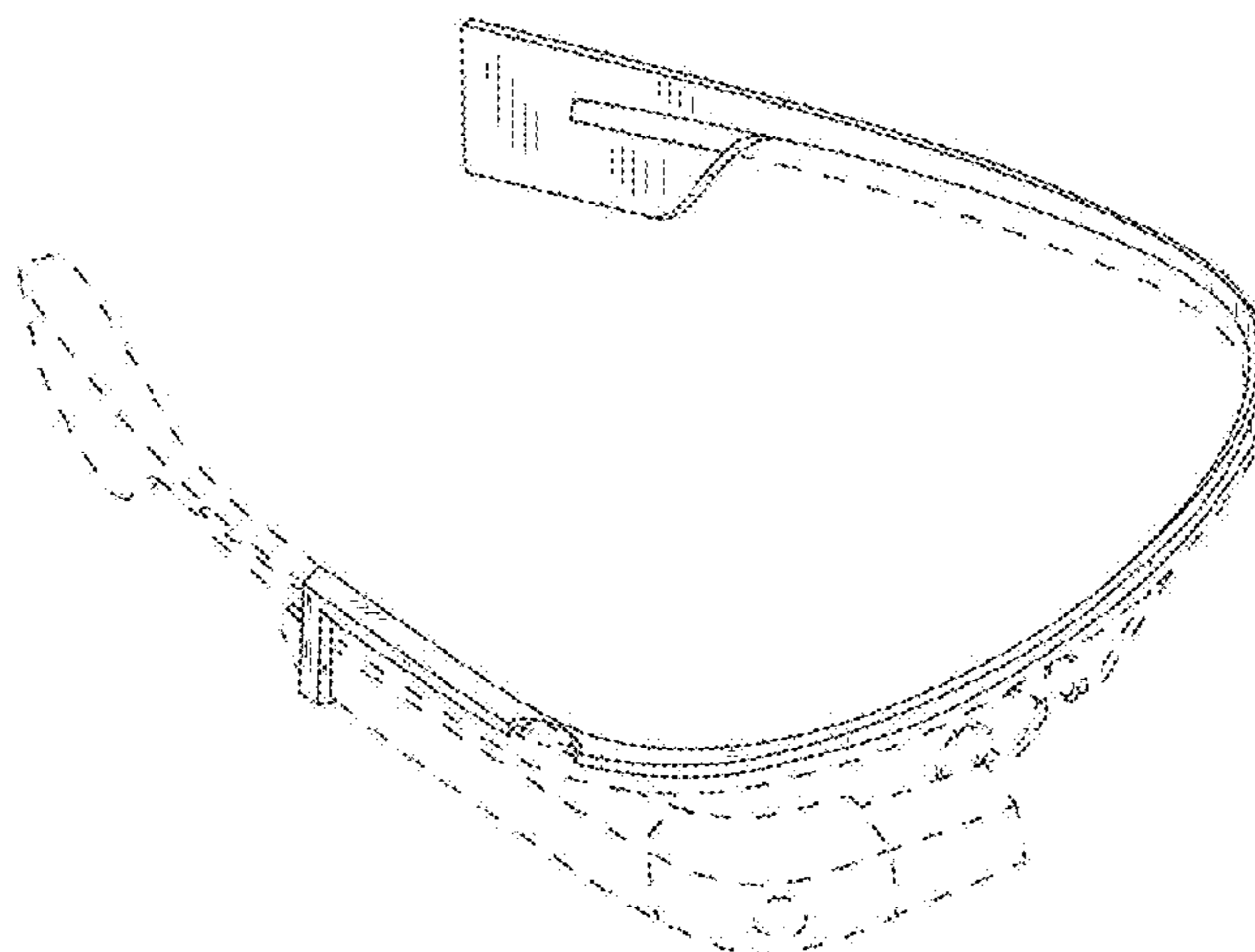
(57) **CLAIM**

The ornamental design for a battery for an electronic device, as shown and described.

**DESCRIPTION**

FIG. 1 is a front perspective view of the battery for an electronic device;  
FIG. 2 is a front elevation view thereof;  
FIG. 3 is a rear elevation view thereof;  
FIG. 4 is a right elevation view thereof;  
FIG. 5 is a left elevation view thereof;  
FIG. 6 is a top plan view thereof; and,  
FIG. 7 is a bottom plan view thereof.  
The broken lines showing the battery and electronic device are included for the purpose of illustrating environment and form no part of the claimed design.

**1 Claim, 5 Drawing Sheets**



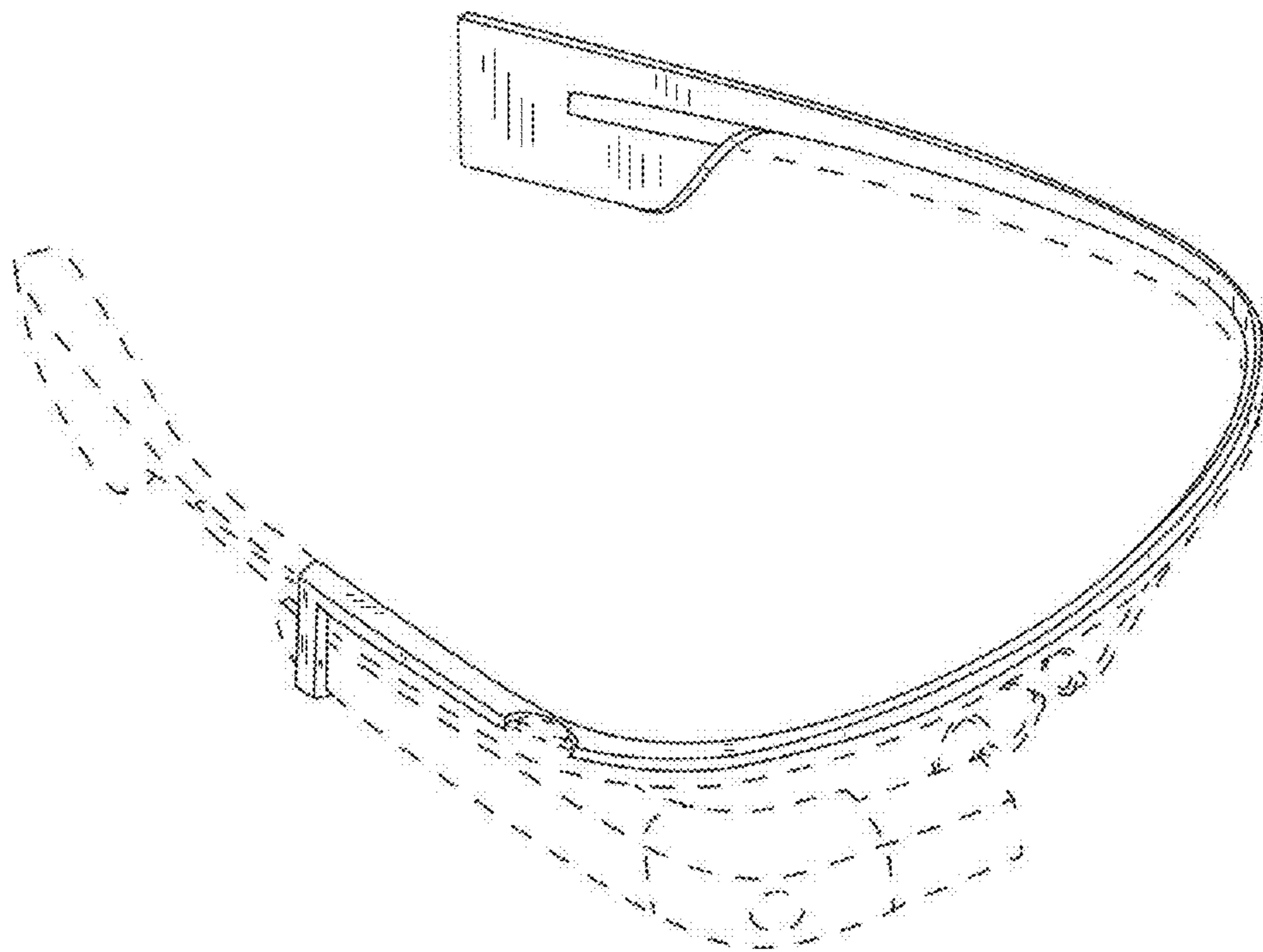


FIG.1



FIG. 2

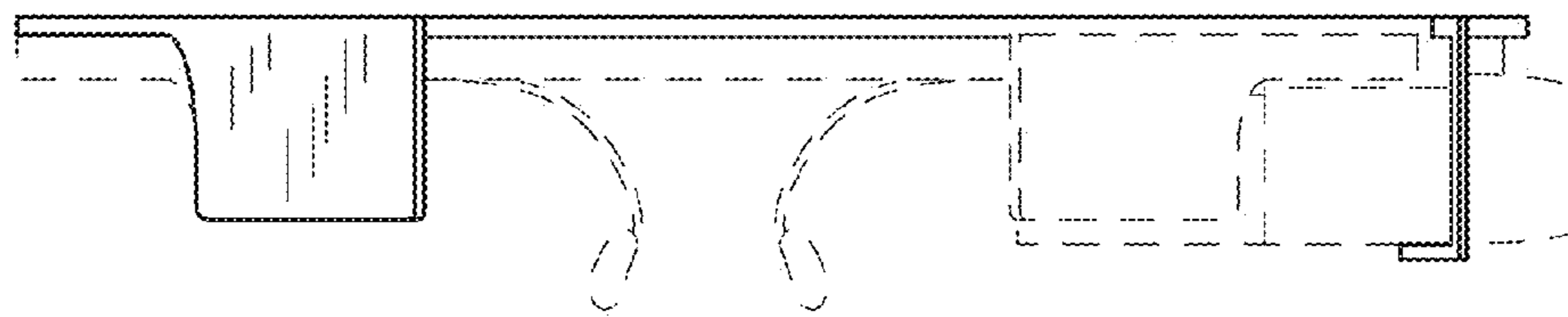


FIG. 3

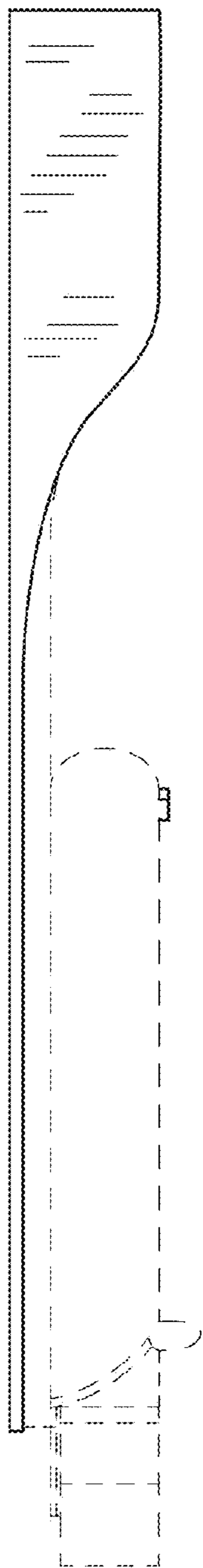


FIG. 4

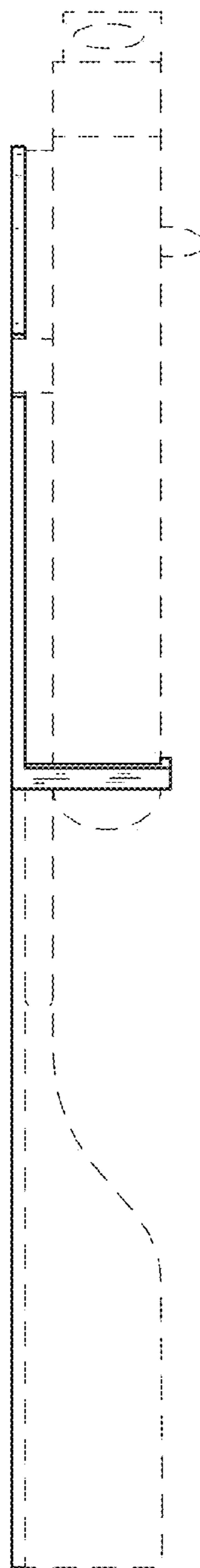


FIG. 5

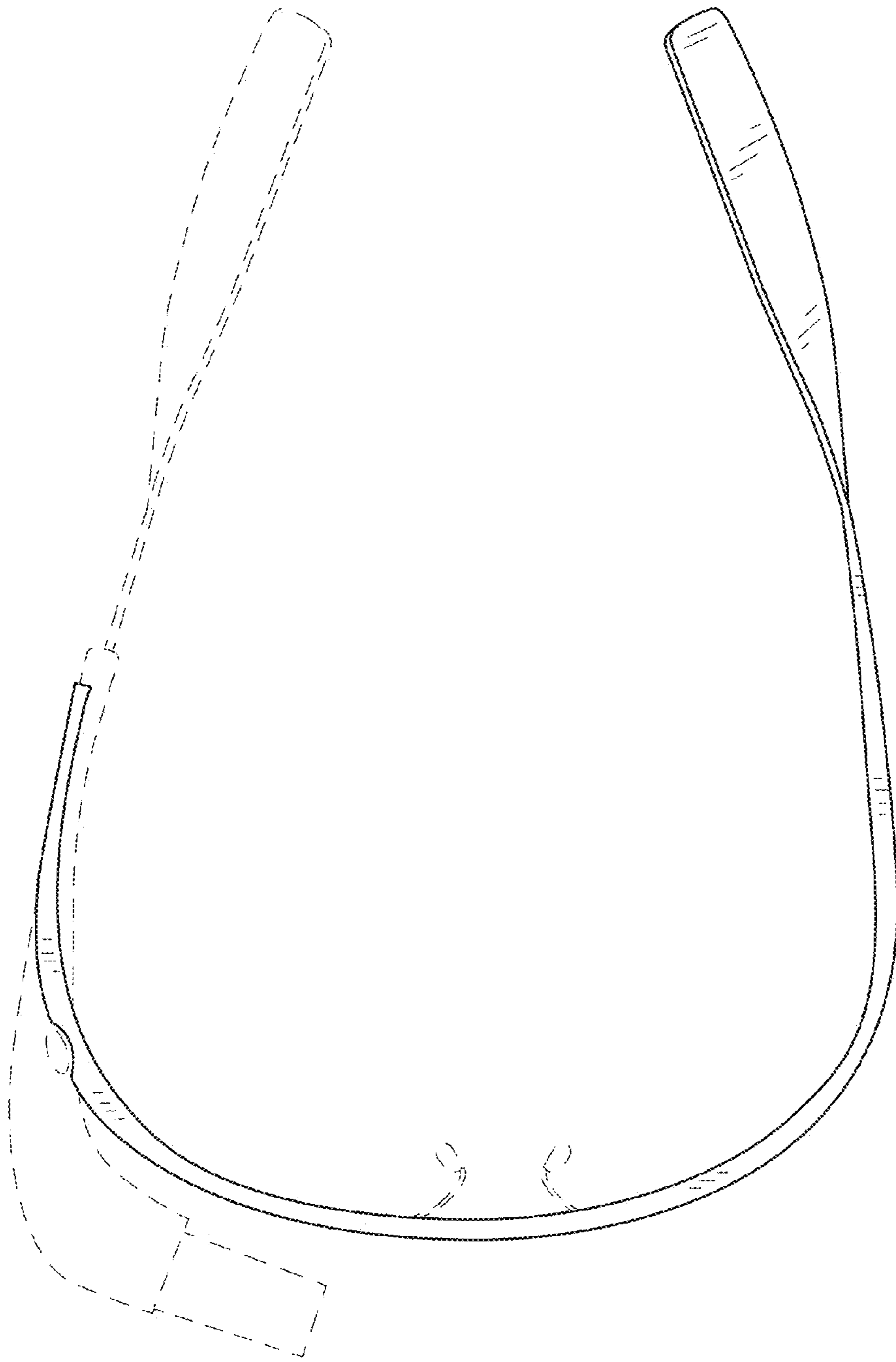


FIG.6

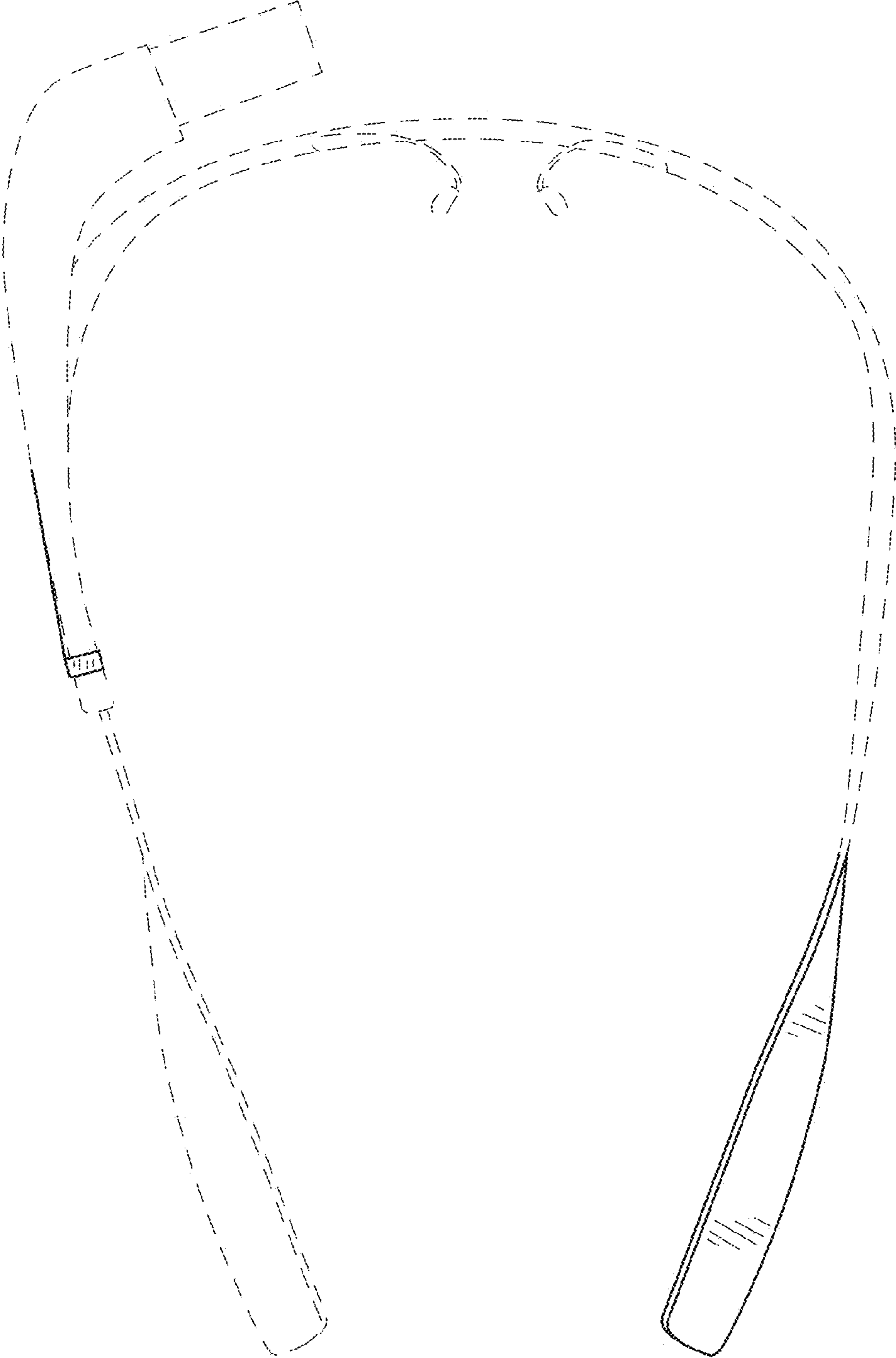


FIG.7