



US00D730277S

(12) **United States Design Patent**
Rangesh et al.

(10) **Patent No.:** **US D730,277 S**

(45) **Date of Patent:** **** May 26, 2015**

(54) **SOLAR PANEL MOUNTING**

(71) Applicant: **Duggal Energy Solutions, LLC**, New York, NY (US)

(72) Inventors: **Abinand Rangesh**, Brookline, MA (US); **Fernando Mendoza**, Hoboken, NJ (US); **Andres Henrique Blohm**, Philadelphia, PA (US)

(73) Assignee: **Duggal Energy Solutions, LLC**, New York, NY (US)

(**) Term: **14 Years**

(21) Appl. No.: **29/498,788**

(22) Filed: **Aug. 7, 2014**

(51) **LOC (10) Cl.** **13-02**

(52) **U.S. Cl.**
USPC **D13/102**

(58) **Field of Classification Search**
USPC D13/102, 101, 103, 107, 118, 119, 184, D13/199; 126/561, 580, 600, 604, 605, 606, 126/627, 667; 136/206, 244-251, 256, 291, 136/292; 320/101, 102; 52/173.3; 438/80
See application file for complete search history.

(56) **References Cited**

U.S. PATENT DOCUMENTS

5,228,924 A * 7/1993 Barker et al. 136/246
D380,191 S * 6/1997 White D13/102

6,563,040 B2 * 5/2003 Hayden et al. 136/244
7,357,132 B2 * 4/2008 Hayden 126/604
D595,645 S * 7/2009 Beghelli D13/102
D605,585 S * 12/2009 Conger D13/102
D640,972 S * 7/2011 Fiero D13/102
D658,120 S * 4/2012 Kawai et al. D13/102
2005/0284467 A1 * 12/2005 Patterson 126/580
2009/0126774 A1 * 5/2009 Taylor et al. 136/244

* cited by examiner

Primary Examiner — Derrick Holland

(74) *Attorney, Agent, or Firm* — Fross Zelnick Lehrman & Zissu, P.C.; Charles T. J. Weigell, Esq.

(57) **CLAIM**

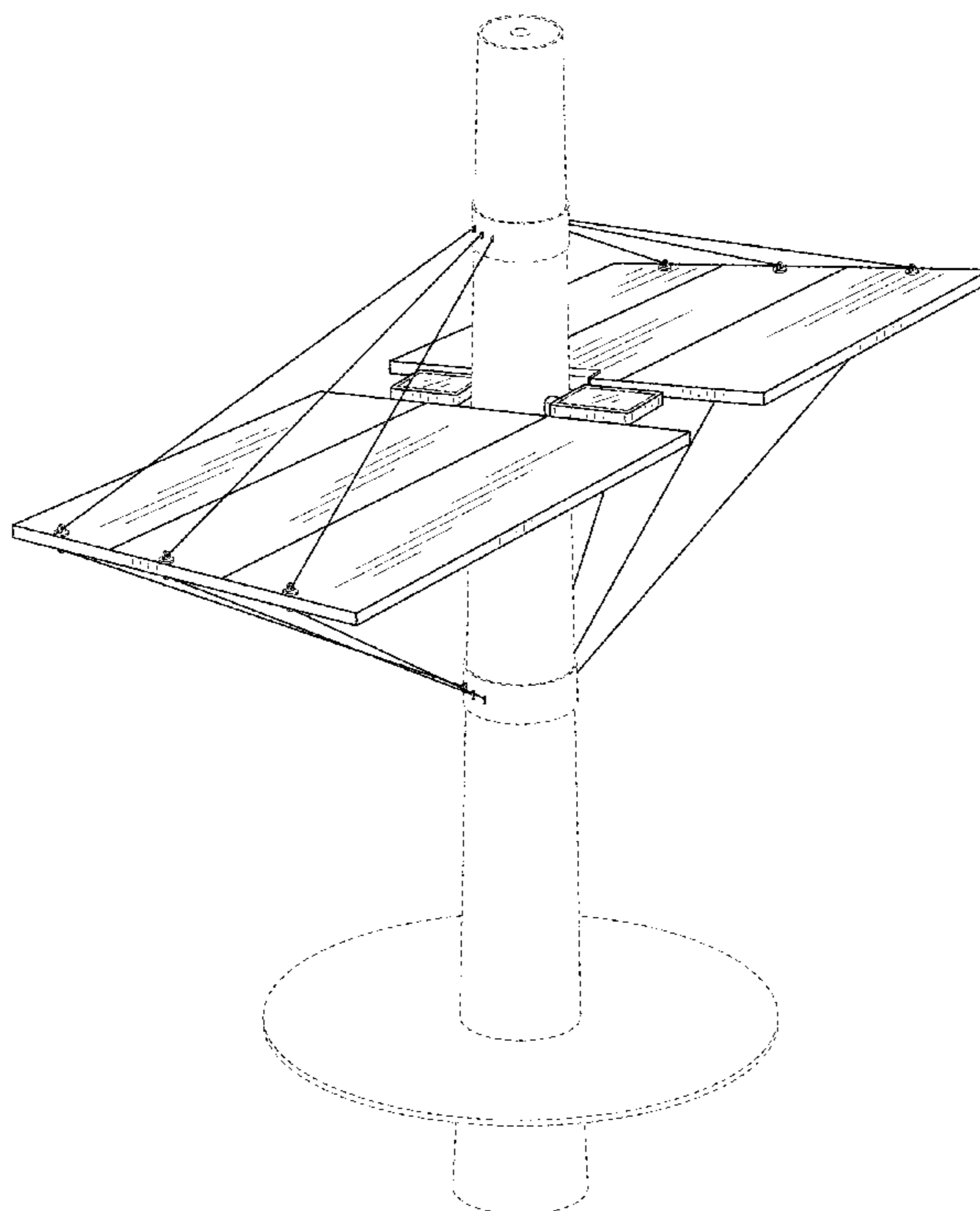
The ornamental design for a solar panel mounting, as shown and described.

DESCRIPTION

FIG. 1 is a front perspective view of a solar panel mounting showing our new design;
FIG. 2 is a front view thereof;
FIG. 3 is a rear view thereof;
FIG. 4 is a left side view thereof;
FIG. 5 is a right side view thereof;
FIG. 6 is a top view thereof; and,
FIG. 7 is a bottom view thereof.

The broken lines shown represent unclaimed subject matter and form no part of the claimed design.

1 Claim, 7 Drawing Sheets



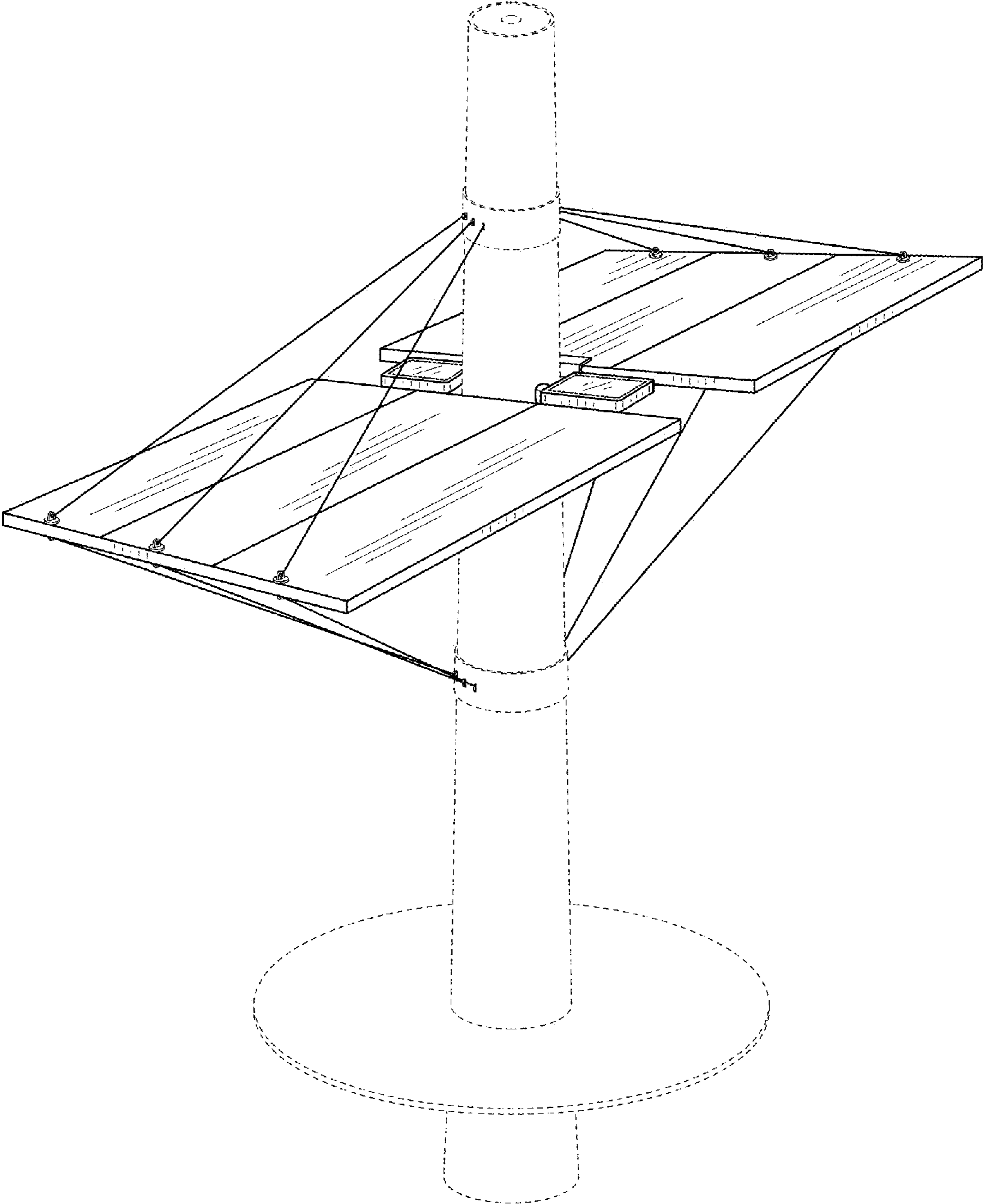
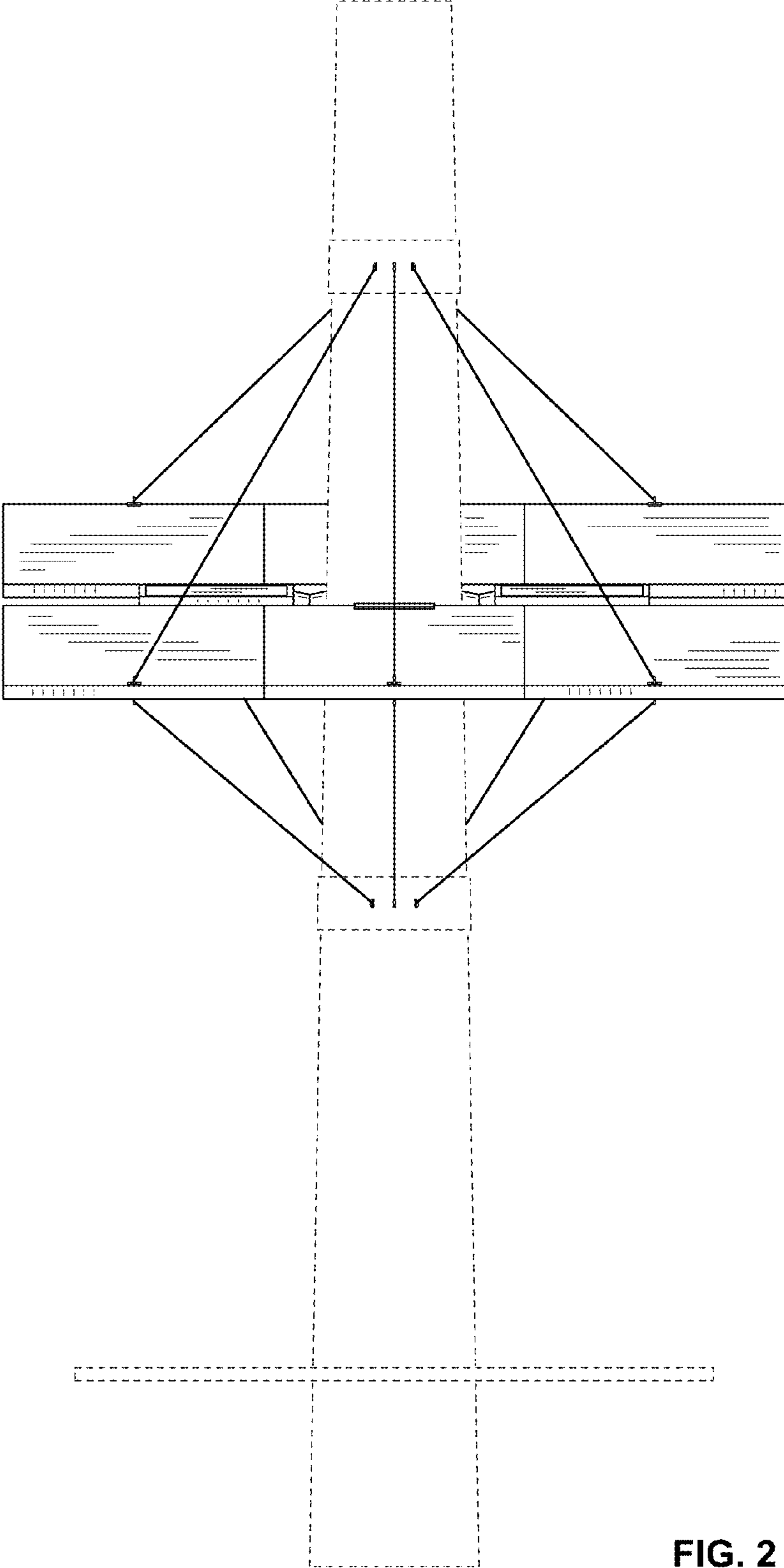


FIG. 1



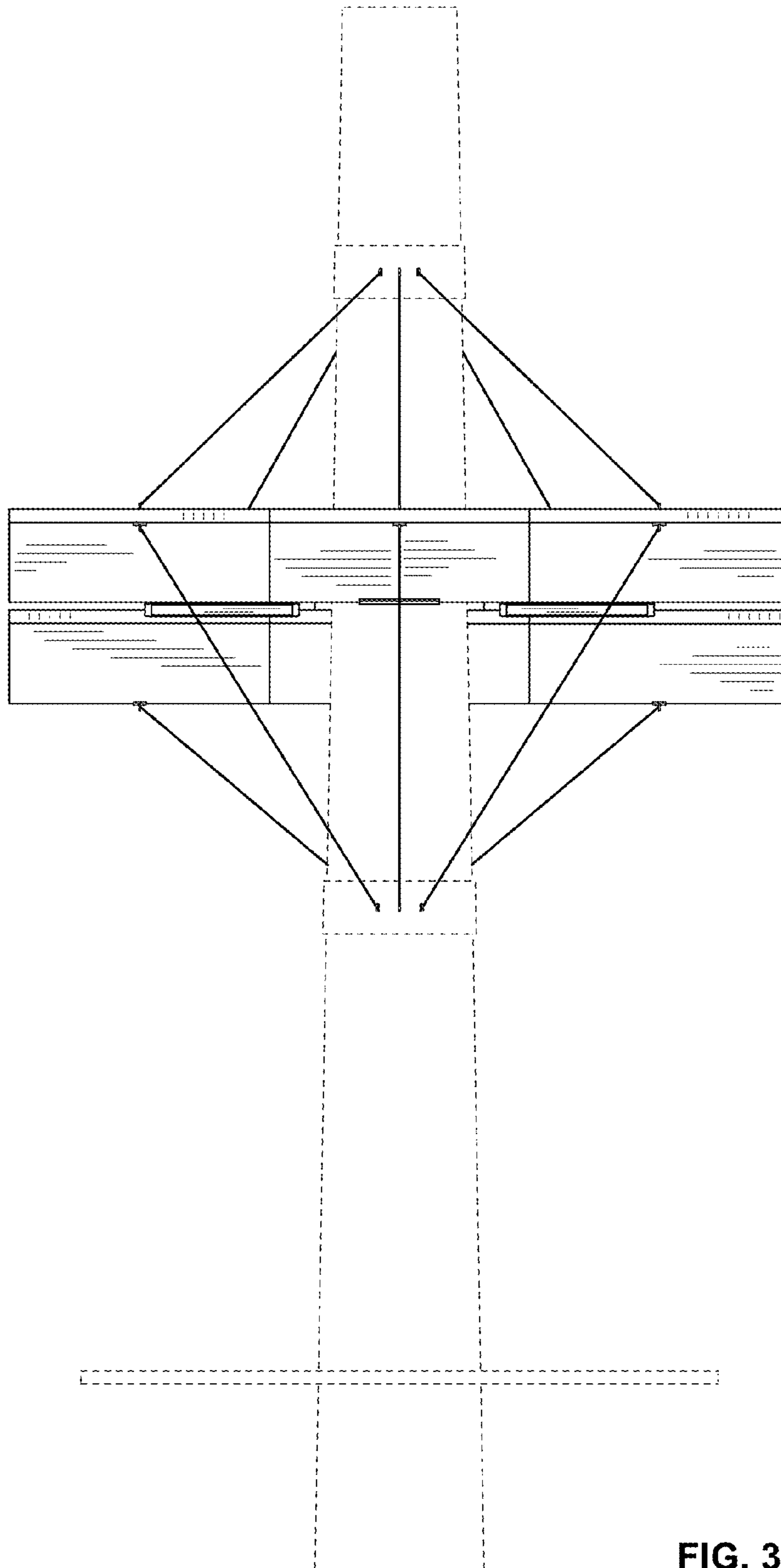


FIG. 3

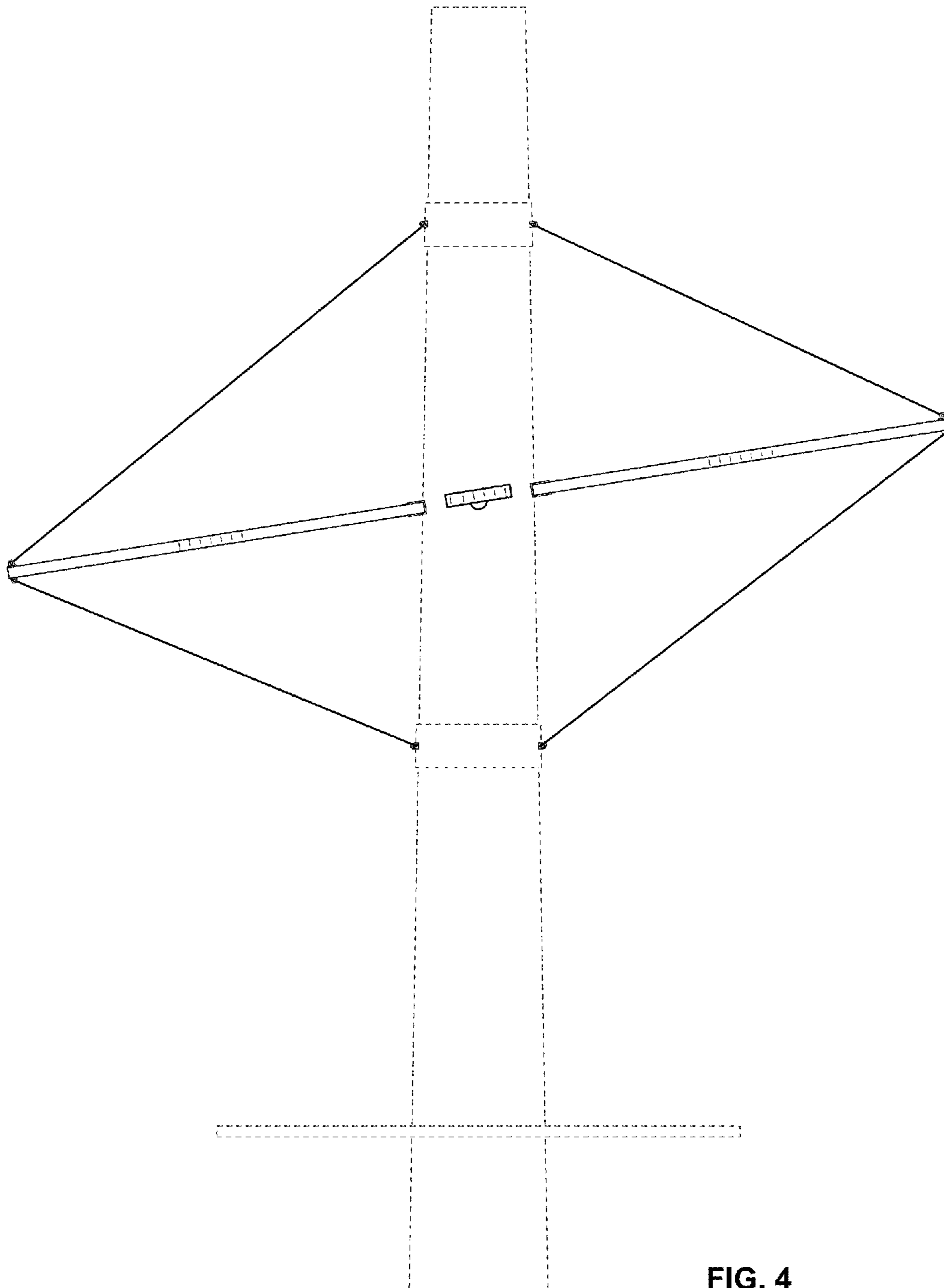


FIG. 4

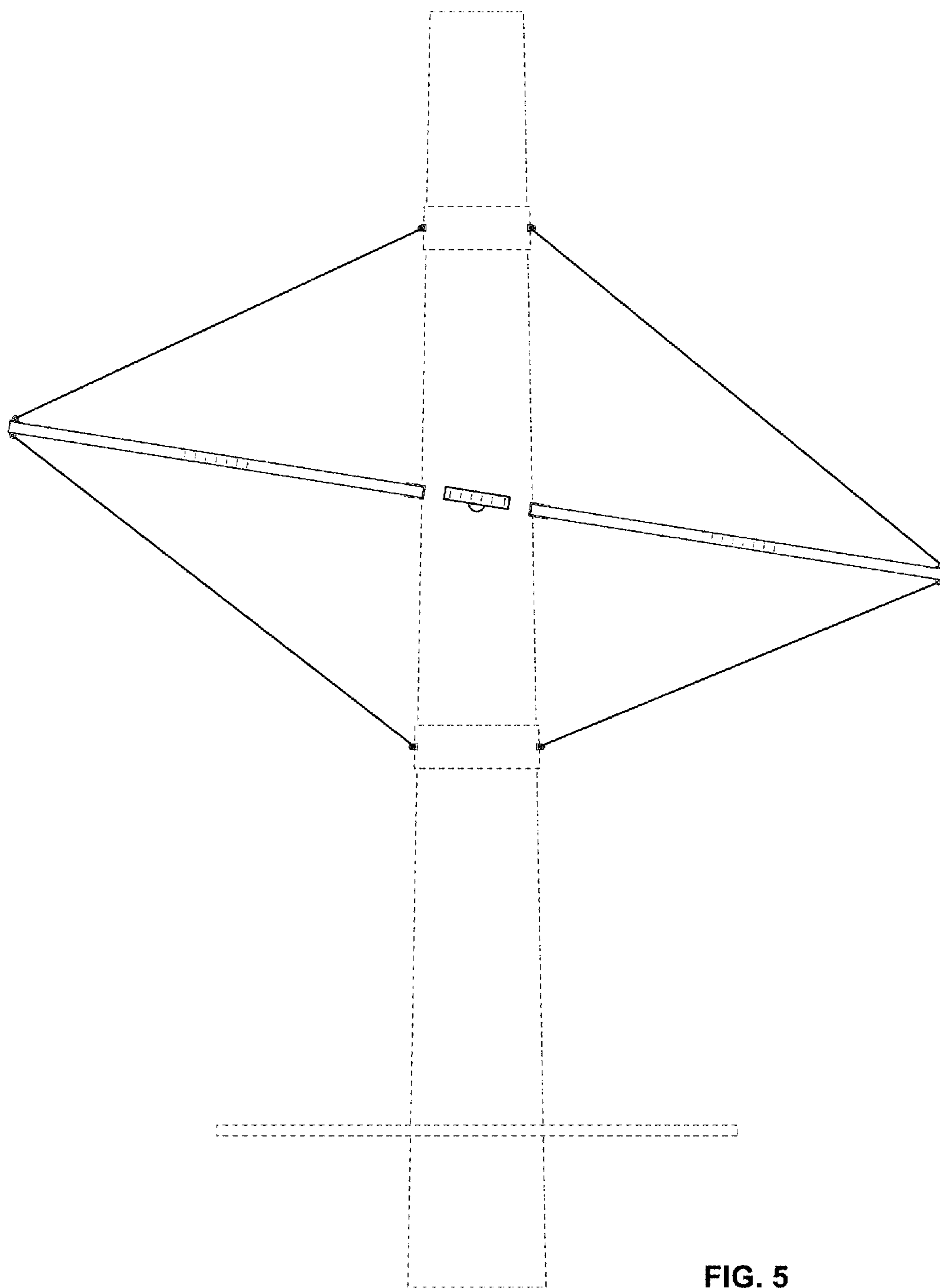


FIG. 5

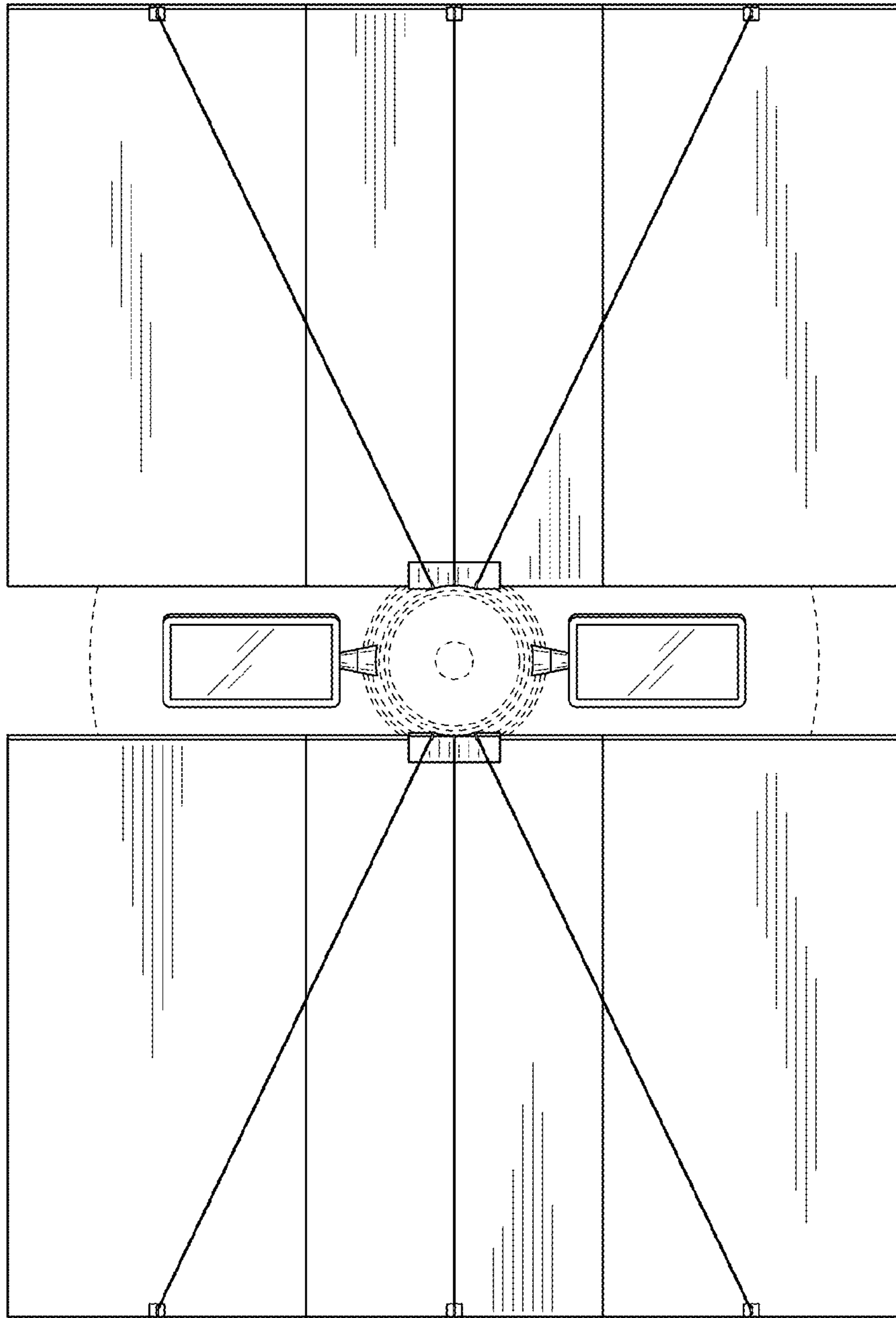


FIG. 6

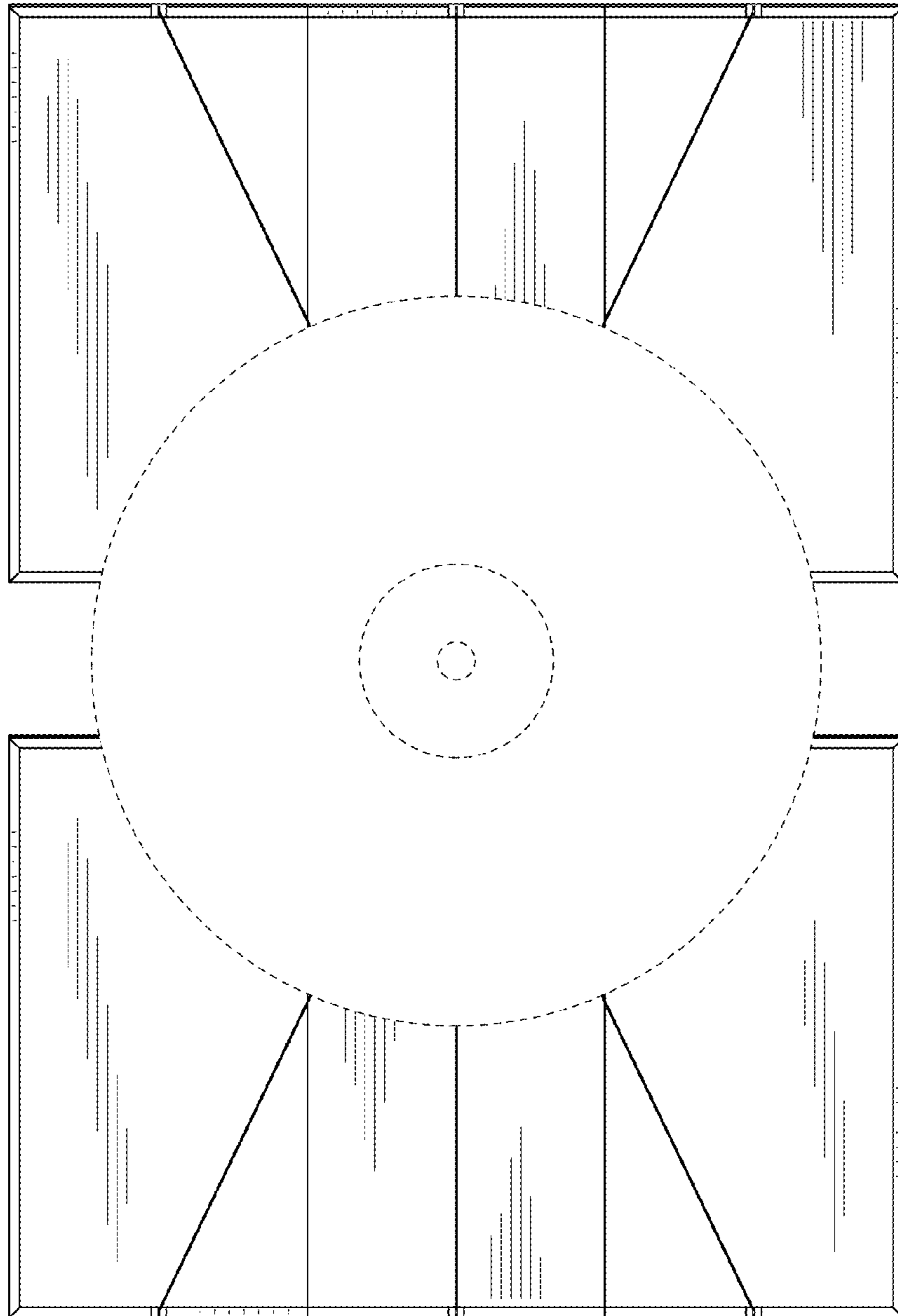


FIG. 7