



US00D730276S

(12) **United States Design Patent**  
**Wang**

(10) **Patent No.:** **US D730,276 S**  
(45) **Date of Patent:** **\*\* May 26, 2015**

(54) **CONNECTING MEMBER FOR CONNECTING TWO STRUCTURAL MEMBERS**

(71) Applicant: **Wei Wang**, Shenzhen (CN)  
(72) Inventor: **Wei Wang**, Shenzhen (CN)  
(73) Assignee: **HON HAI PRECISION INDUSTRY CO., LTD.**, New Taipei (TW)

(\*\*) Term: **14 Years**

(21) Appl. No.: **29/438,118**

(22) Filed: **Nov. 26, 2012**

(51) **LOC (10) Cl.** ..... **13-02**

(52) **U.S. Cl.**  
USPC ..... **D13/102**; D25/125

(58) **Field of Classification Search**

CPC ..... Y02E 10/47; F24J 2/5211; F24J 2/52; F24J 2/523; F24J 2/5252; F24J 2/526; F24J 2/5232; F24J 2/5233; F24J 2/5245; F24J 2/5254; F24J 2/5262; E04F 19/028; E04F 19/02; E04F 13/0733; E04F 13/0808; E04F 13/21; E04F 19/04; E04F 19/049; A47B 65/00; E04B 2001/2415; E04B 2001/2448; E04B 2001/2439; E04B 2001/2463; E04B 2001/405; E04B 2/58; E04B 2/96; H02B 1/014; H02B 1/32  
USPC ..... 211/182, 26, 192, 191, 43, 184; 403/300, 176, 217, 231, 242, 285; 312/265.4, 140, 137; 206/600, 586; 220/4.28; 361/825; D25/119, 123–125, D25/164, 55, 60, 101, 102, 136, 137, 145, D25/157, 199; 29/513, 521; D19/34.1, 34.4; D11/157; 52/312, 174, 287.1, 288.1, 52/716.1, 273; D8/403, 349, 380–383, D8/394–396; 119/245; D13/102, 155; D21/694

See application file for complete search history.

(56) **References Cited**

**U.S. PATENT DOCUMENTS**

2,111,922 A \* 3/1938 Borkestein ..... 52/716.1  
2,861,659 A \* 11/1958 Hagerty et al. .... 403/231  
3,831,338 A \* 8/1974 Klingensmith et al. .... 403/400

4,545,490 A \* 10/1985 Hsiao et al. .... 211/191  
D286,187 S \* 10/1986 Bancroft ..... D25/125  
5,183,163 A \* 2/1993 Slaiken ..... 211/43  
D336,107 S \* 6/1993 Goodman et al. .... D19/34.1  
5,287,667 A \* 2/1994 Singhal ..... 52/392  
D352,693 S \* 11/1994 Christensen ..... D12/412  
D362,017 S \* 9/1995 McConnell ..... D19/34.3  
D397,810 S \* 9/1998 Basset ..... D25/199

(Continued)

**OTHER PUBLICATIONS**

Framing angles, available May 5, 2013, [online], [site visited Dec. 15, 2014]. Available from internet, <URL: <http://rix0r.nl/blog/2013/05/05/pallet-table/>>.\*

(Continued)

*Primary Examiner* — Cathron Brooks  
*Assistant Examiner* — Teddy Falloway  
(74) *Attorney, Agent, or Firm* — Novak Druce Connolly Bove + Quigg LLP

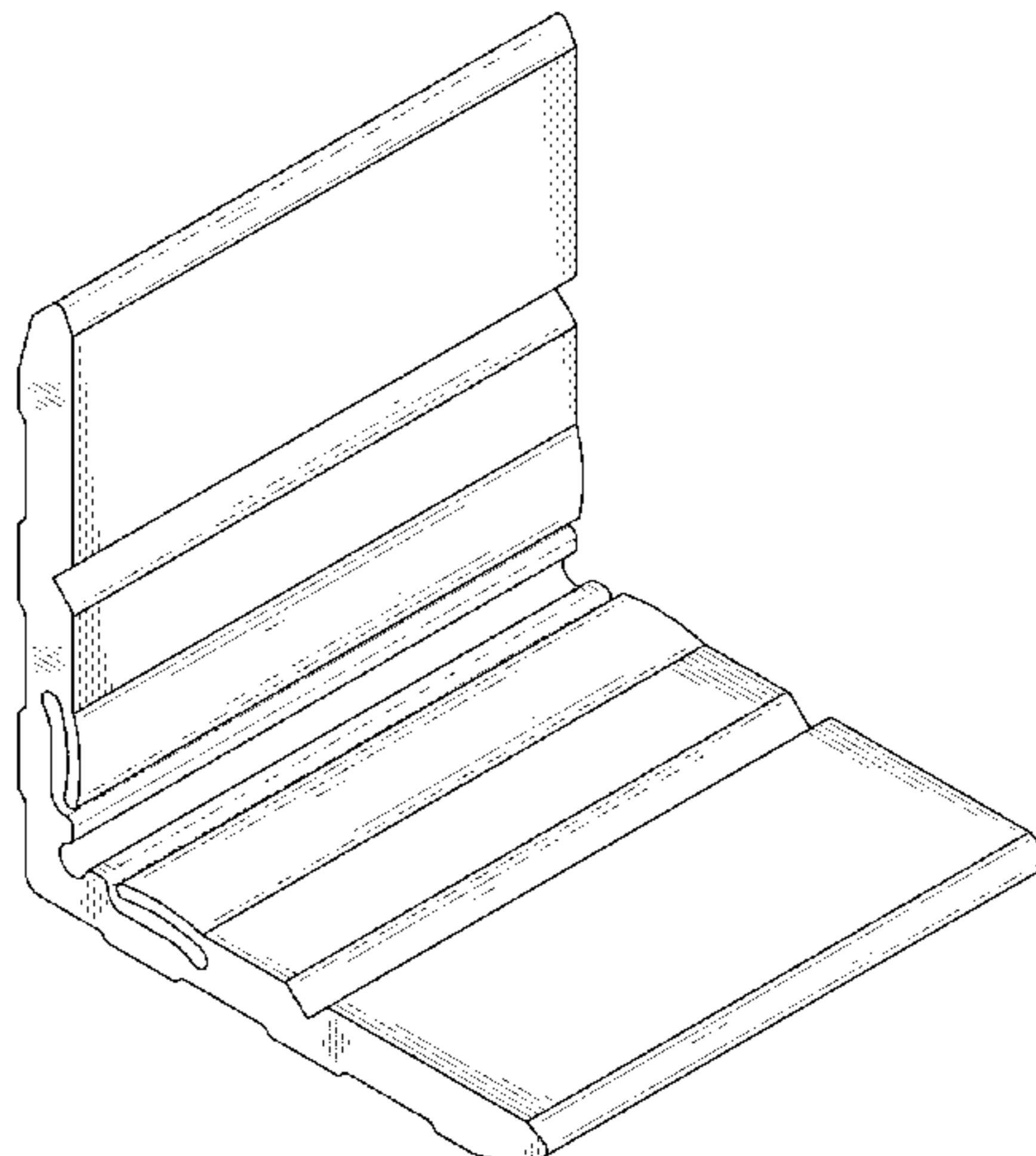
(57) **CLAIM**

The ornamental design for a connecting member for connecting two structural members, as shown and described.

**DESCRIPTION**

FIG. 1 is a perspective view of a connecting member showing the petitioner's design;  
FIG. 2 is a front elevational view thereof;  
FIG. 3 is a rear elevational view thereof;  
FIG. 4 is a left side elevational view thereof;  
FIG. 5 is a right side elevational view thereof;  
FIG. 6 is a top plan view thereof;  
FIG. 7 is a bottom plan view thereof; and,  
FIG. 8 is an elevation view of the connecting member in use, shown connecting two structural members.  
The broken lines shown are included for the purpose of illustrating environmental structure that forms no part of the claimed design.

**1 Claim, 8 Drawing Sheets**



(56)

References Cited

U.S. PATENT DOCUMENTS

D398,708 S \* 9/1998 Opielski et al. .... D25/119  
 D402,062 S \* 12/1998 Leonelli ..... D25/125  
 5,846,018 A \* 12/1998 Frobosilo et al. .... 403/403  
 6,263,630 B1 \* 7/2001 Bennett ..... 52/312  
 6,354,049 B1 \* 3/2002 Bennett ..... 52/287.1  
 D529,631 S \* 10/2006 Folliard ..... D25/119  
 D533,449 S \* 12/2006 DePaul ..... D8/403  
 D547,262 S \* 7/2007 Ullman ..... D13/102  
 D576,106 S \* 9/2008 Sayres et al. .... D13/155  
 D579,124 S \* 10/2008 Sauter et al. .... D25/119  
 7,533,508 B1 \* 5/2009 diGirolamo et al. .... 52/481.1  
 D598,272 S \* 8/2009 Tejszerski ..... D8/349  
 8,375,660 B2 \* 2/2013 Nolan et al. .... 52/211  
 D679,419 S \* 4/2013 Gori et al. .... D25/119  
 D679,420 S \* 4/2013 Nolan et al. .... D25/125  
 D679,421 S \* 4/2013 Nolan et al. .... D25/125  
 D680,660 S \* 4/2013 Elizarraras et al. .... D25/55  
 D681,438 S \* 5/2013 Chen ..... D8/394  
 D681,439 S \* 5/2013 Chen ..... D8/394  
 D682,069 S \* 5/2013 Lehane et al. .... D8/354  
 D684,706 S \* 6/2013 Nolan et al. .... D25/119  
 D700,360 S \* 2/2014 Elizarraras et al. .... D25/55  
 D708,051 S \* 7/2014 Wojtowicz et al. .... D8/394  
 2004/0096266 A1 \* 5/2004 Birnbaum et al. .... 403/187  
 2005/0284041 A1 \* 12/2005 Chen ..... 52/167.5

2006/0156679 A1 \* 7/2006 Pierret ..... 52/698  
 2007/0000196 A1 \* 1/2007 Depaul ..... 52/287.1  
 2010/0126103 A1 \* 5/2010 diGirolamo et al. .... 52/655.1  
 2010/0193012 A1 \* 8/2010 Klammer et al. .... 136/251  
 2011/0083725 A1 \* 4/2011 Hirayama et al. .... 136/251  
 2011/0108093 A1 \* 5/2011 Hessler et al. .... 136/251  
 2011/0180680 A1 \* 7/2011 Brodam ..... 248/346.01  
 2012/0091077 A1 \* 4/2012 Zuritis ..... 211/41.1  
 2014/0034588 A1 \* 2/2014 Wang ..... 211/41.1  
 2014/0215956 A1 \* 8/2014 Smith et al. .... 52/705  
 2014/0260021 A1 \* 9/2014 Pelosi ..... 52/287.1  
 2014/0298657 A1 \* 10/2014 Kim et al. .... 29/897  
 2014/0299177 A1 \* 10/2014 Sha et al. .... 136/251  
 2014/0305896 A1 \* 10/2014 Greenamyre et al. .... 211/182  
 2014/0339179 A1 \* 11/2014 West et al. .... 211/41.1

OTHER PUBLICATIONS

Solar PV end clamp, available Dec. 18, 2013, [online], [site visited Dec. 15, 2014]. Available from internet, <URL: <http://airconditionerspareparts.blogspot.com/2013/12/solar-pv-module-end-clamp.html>.\*

Solar Panel Frame Kit, available Aug. 29, 2012, [online], [site visited Dec. 15, 2014]. Available from internet, <URL: <http://www.ebay.com/itm/4-x-72-Cell-DynaPro-Solar-Panel-Frame-Kits-The-Real-Thing-ON-SALE-/140747818518>.\*

\* cited by examiner

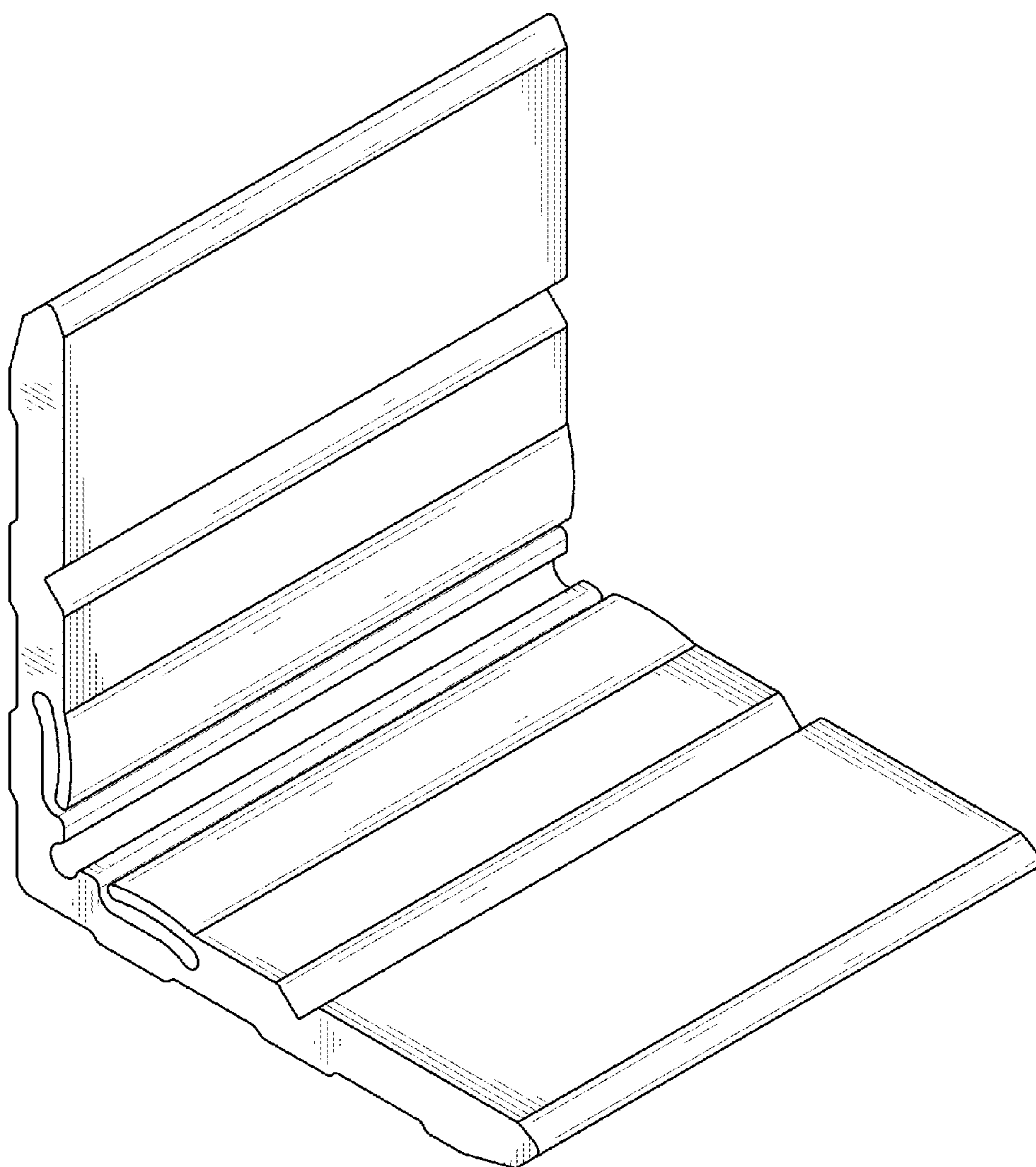


FIG. 1

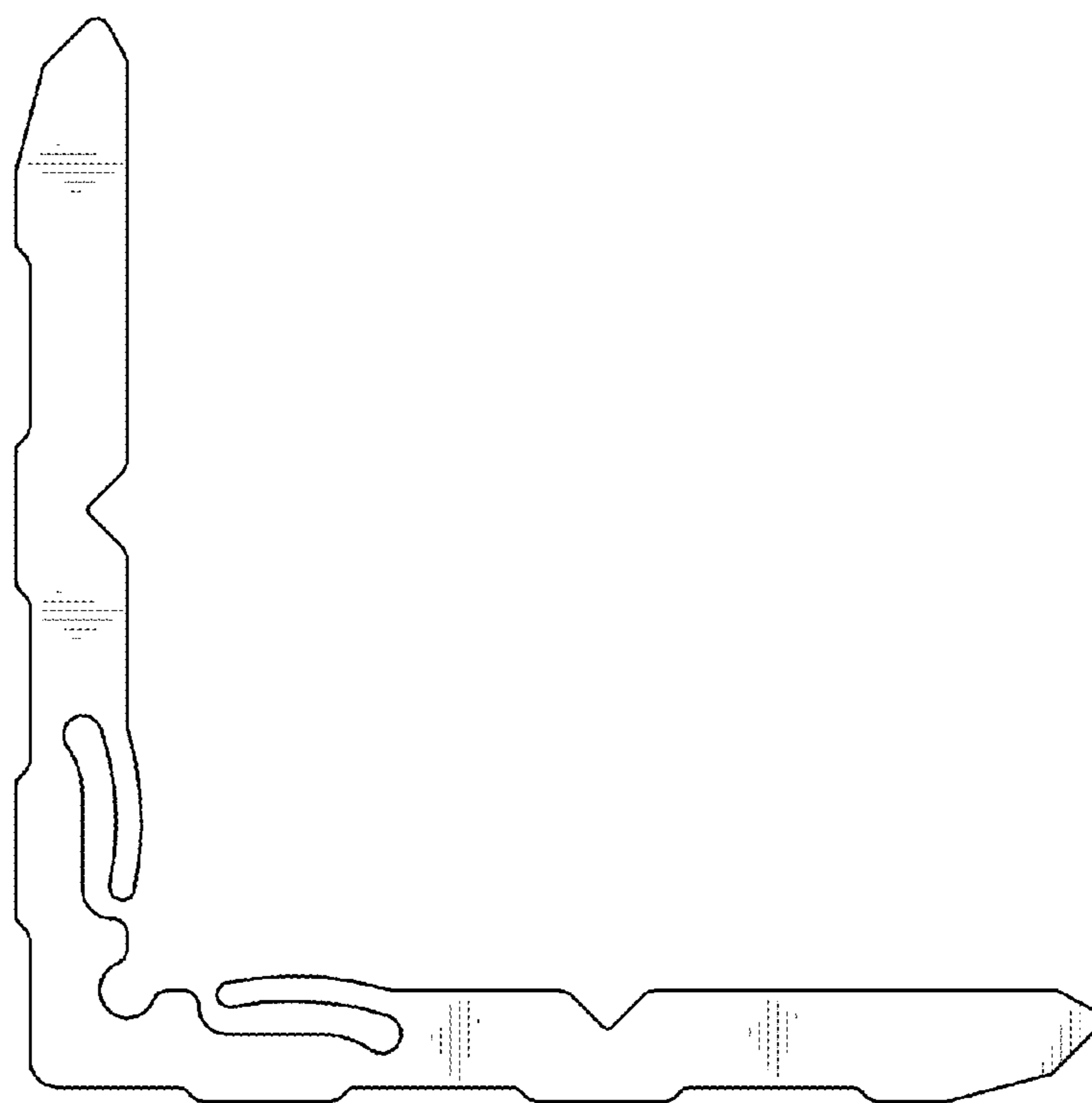


FIG. 2

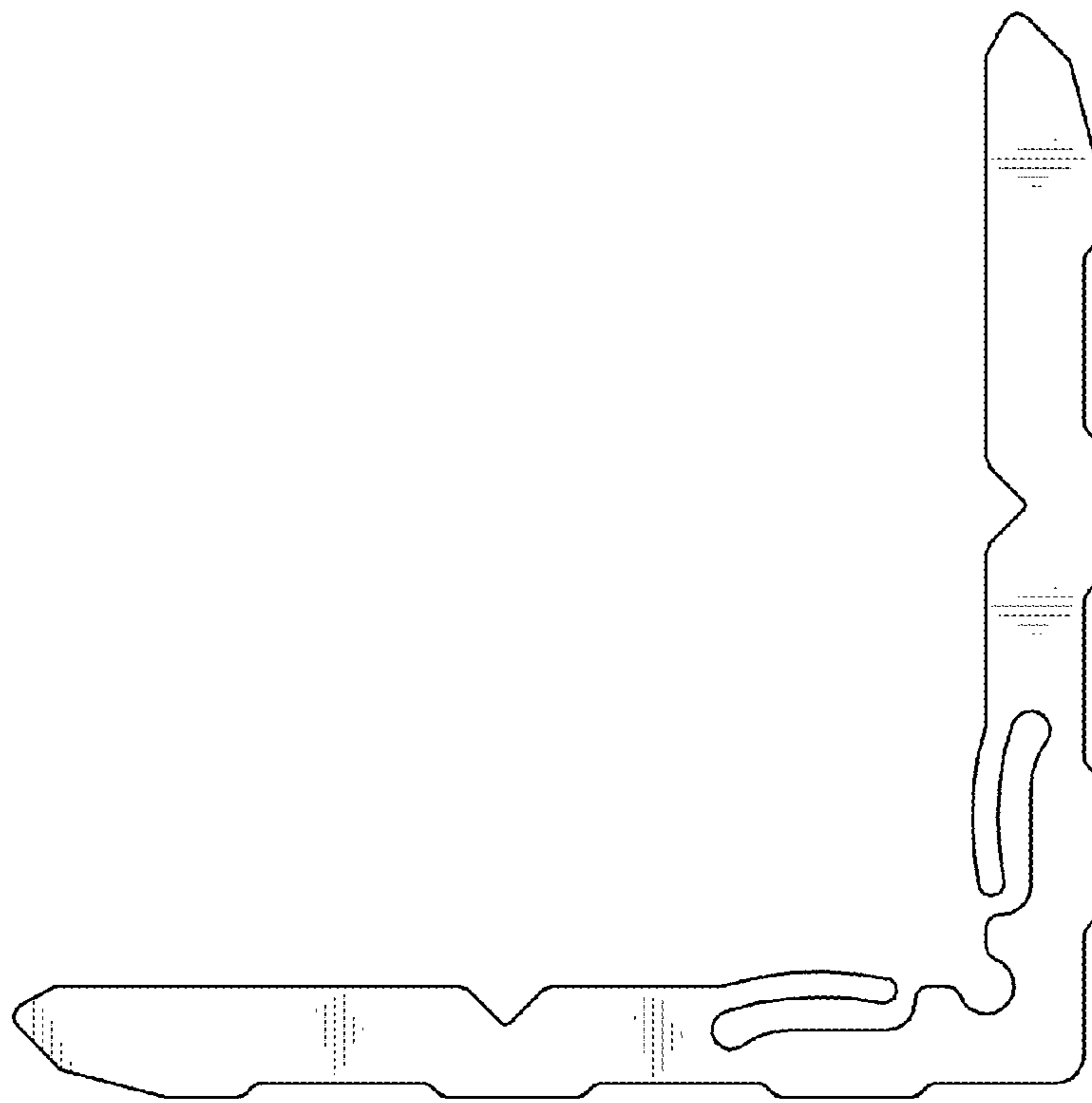


FIG. 3

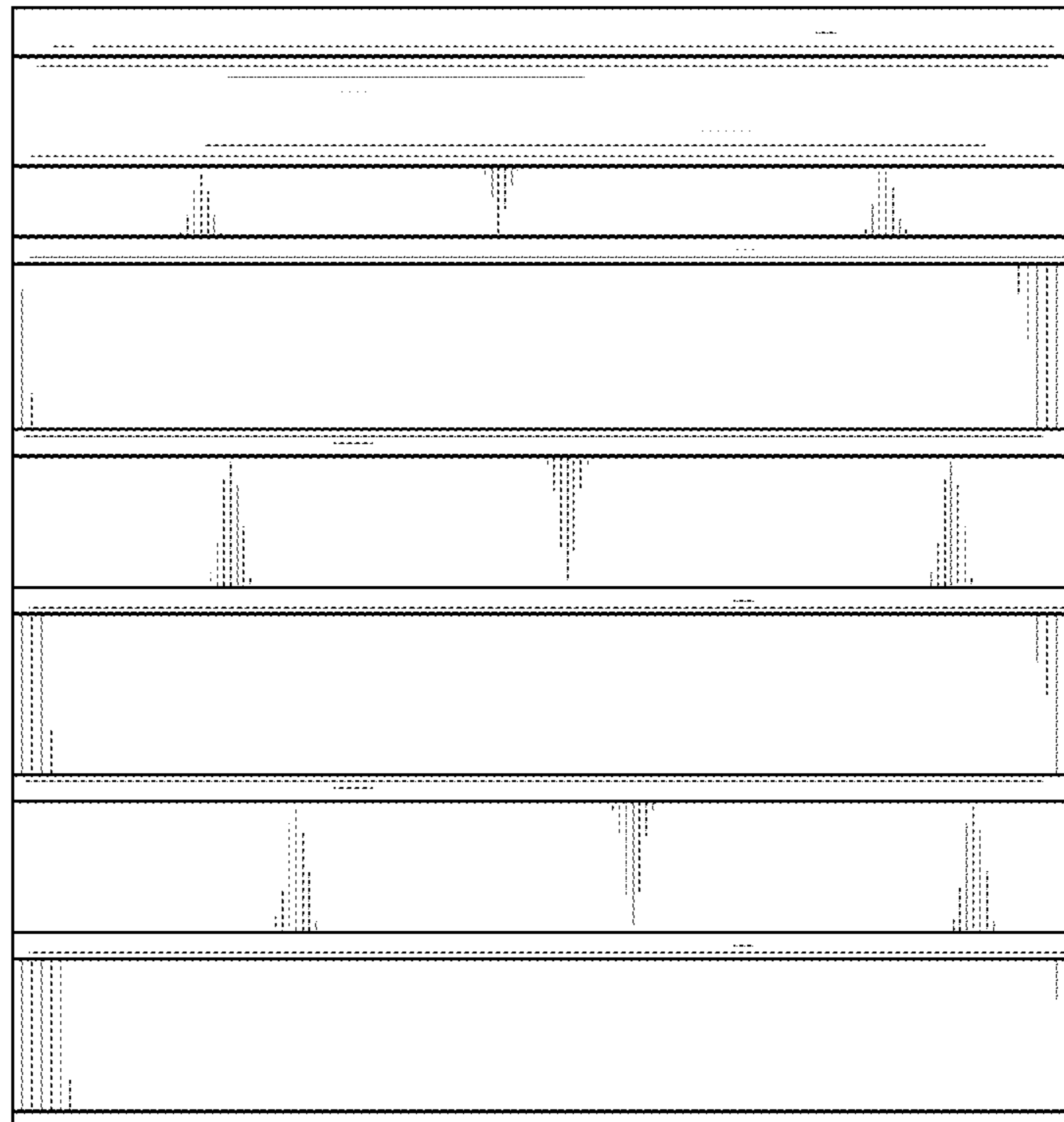


FIG. 4

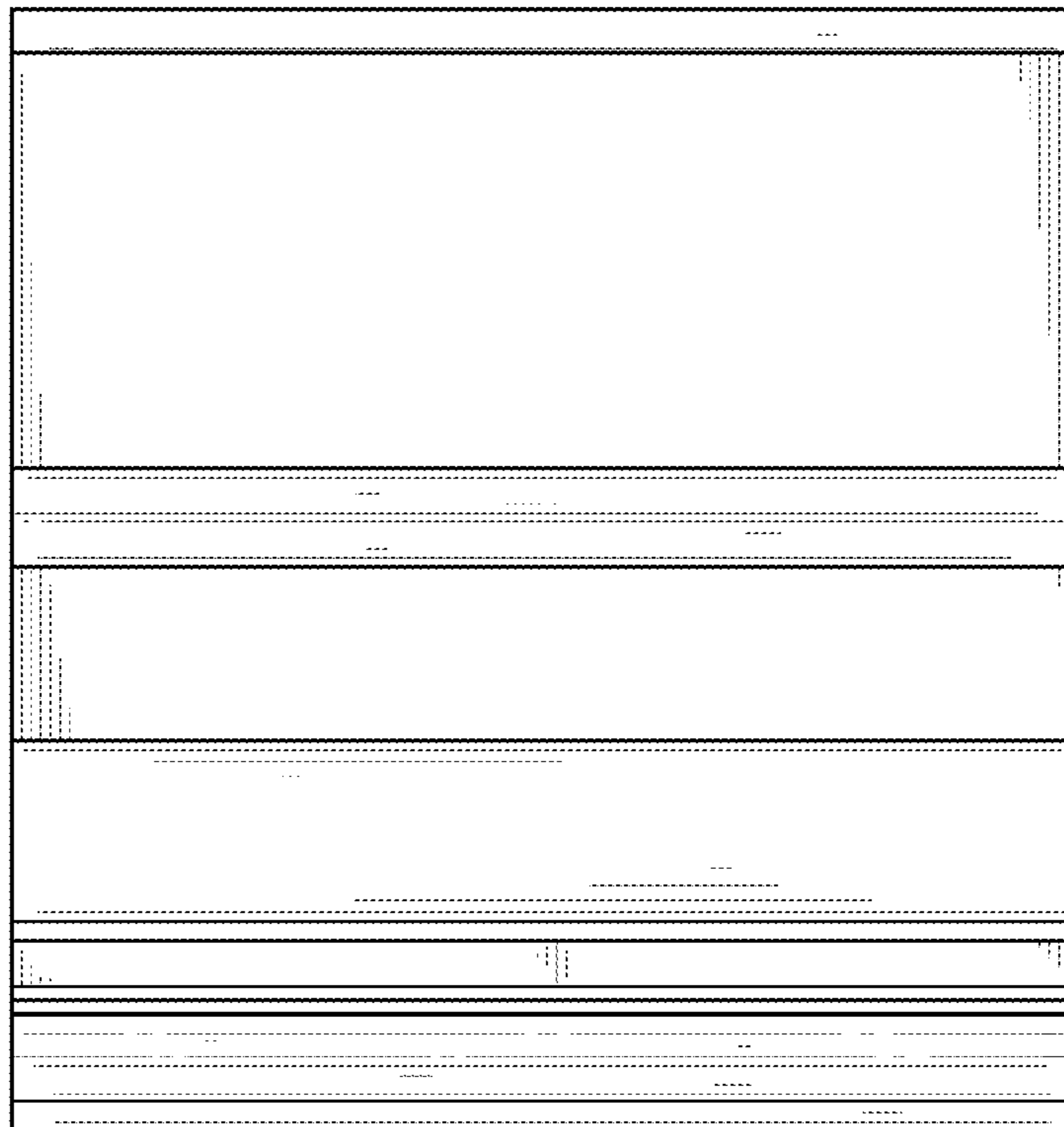


FIG. 5

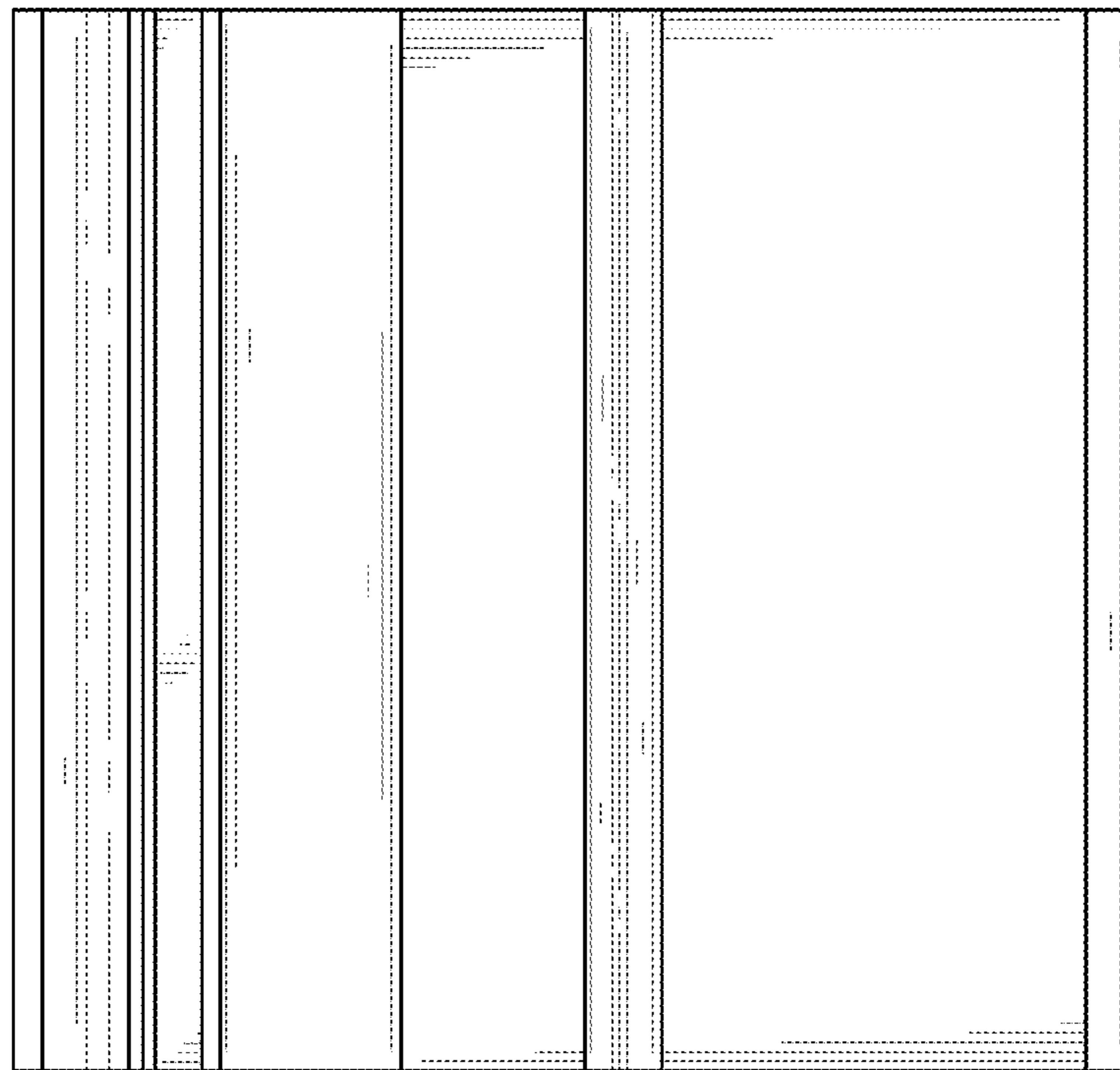


FIG. 6



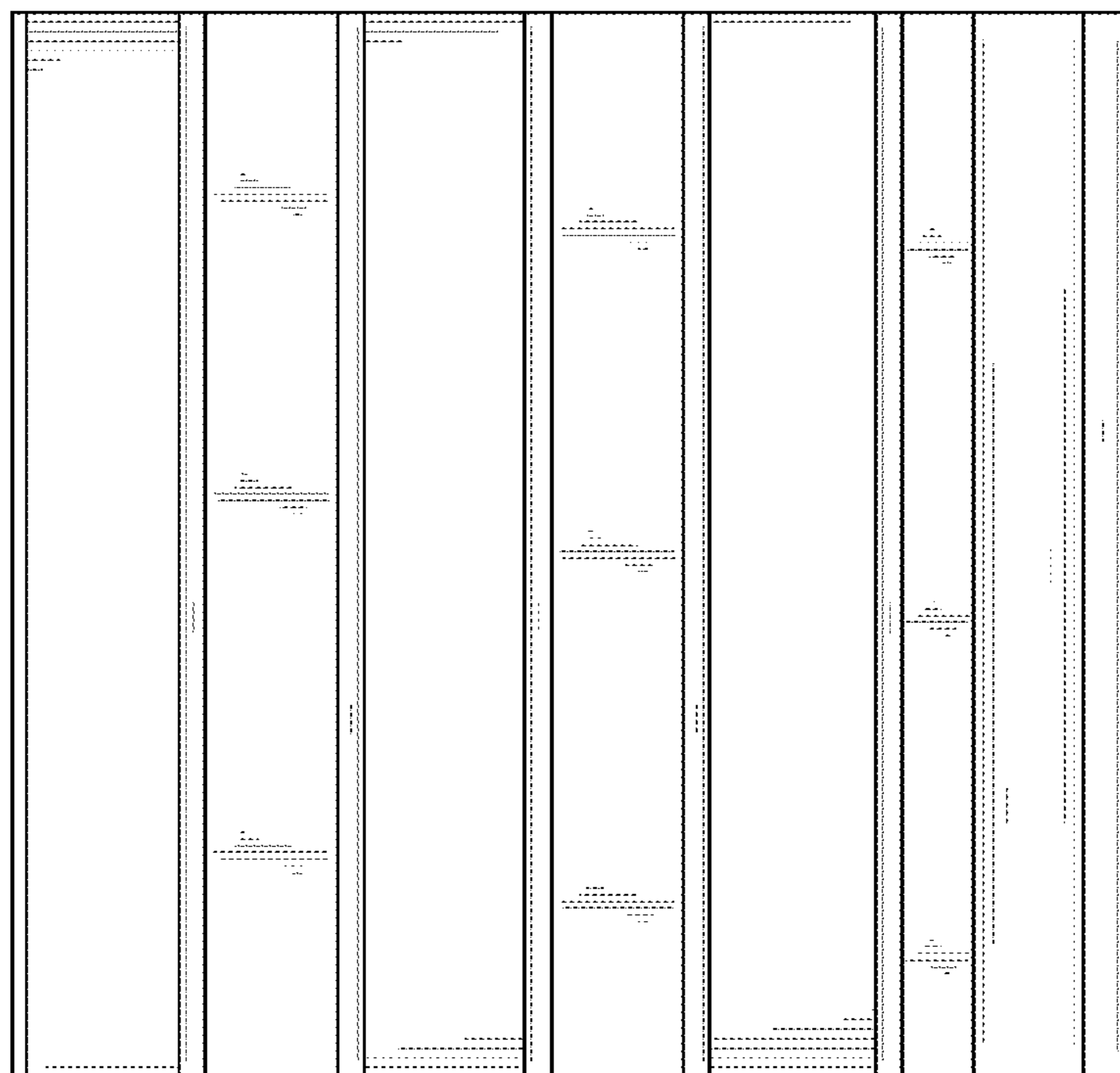


FIG. 7

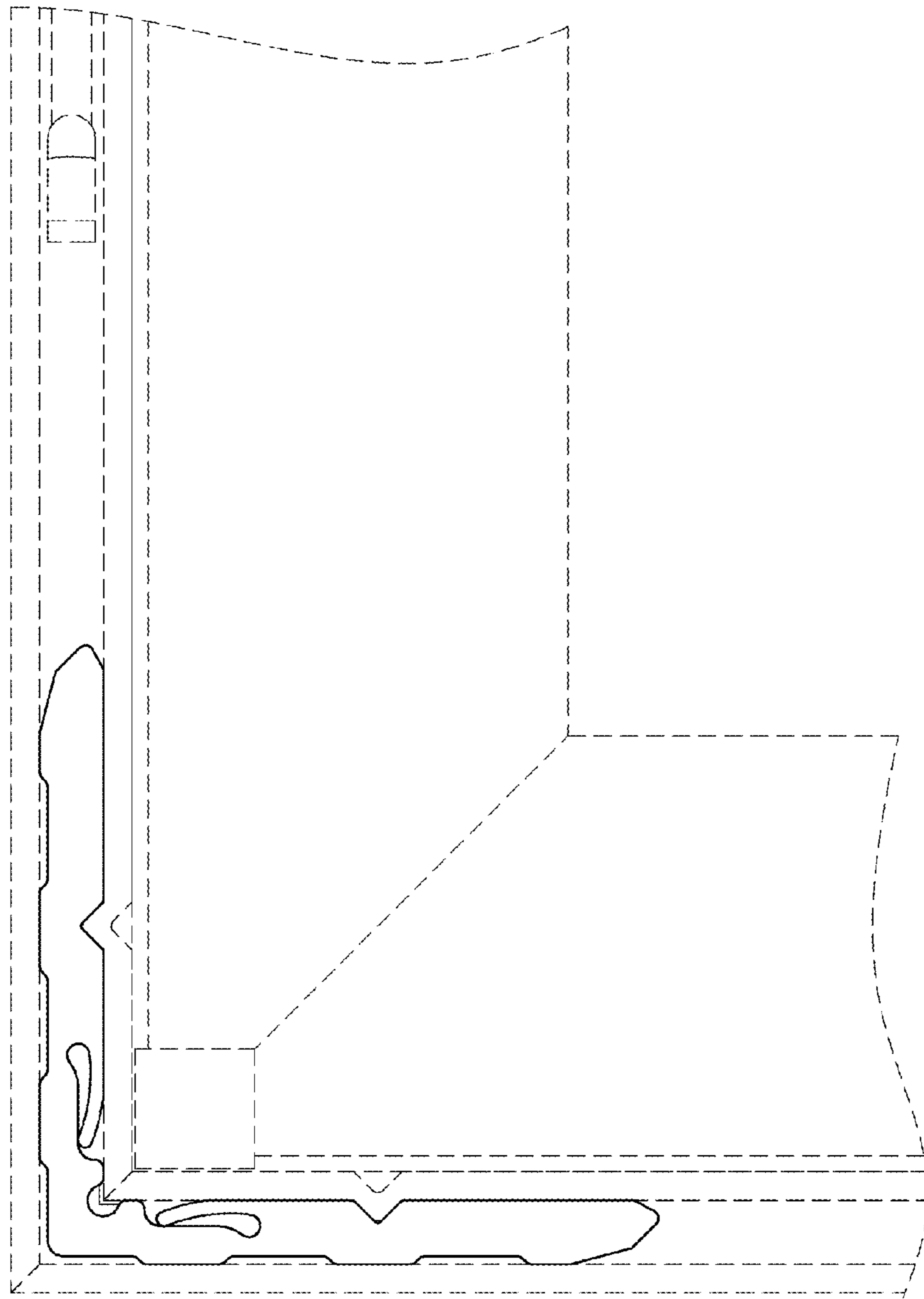


FIG. 8