



US00D730271S

(12) **United States Design Patent**
Lundgren et al.

(10) **Patent No.:** **US D730,271 S**

(45) **Date of Patent:** **** May 26, 2015**

- (54) **TIRE TREAD**
- (71) Applicant: **Bridgestone Americas Tire Operations, LLC**, Nashville, TN (US)
- (72) Inventors: **Paula R. Lundgren**, Akron, OH (US);
Bradley J. Harris, New London, OH (US)
- (73) Assignee: **Bridgestone Americas Tire Operations, LLC**, Nashville, TN (US)
- (**) Term: **14 Years**
- (21) Appl. No.: **29/437,726**
- (22) Filed: **Nov. 20, 2012**
- (51) **LOC (10) Cl.** **12-15**
- (52) **U.S. Cl.**
USPC **D12/585**
- (58) **Field of Classification Search**
USPC D12/500, 506, 550, 569–603;
152/209.1–209.9, 209.11–209.19,
152/209.21–209.28, 455
See application file for complete search history.

- D459,296 S 6/2002 Umstot et al.
- D460,410 S 7/2002 Thrasher et al.
- D465,763 S 11/2002 Umstot et al.
- D469,398 S 1/2003 Thompson et al.
- D469,737 S 2/2003 Guidry
- D471,147 S 3/2003 Kuwajima
- D471,509 S 3/2003 Graas
- D474,146 S 5/2003 Douce
- D483,320 S 12/2003 Janajreh et al.
- D483,718 S 12/2003 Hutz et al.
- D484,456 S 12/2003 Irimiya
- D490,360 S 5/2004 Jackson et al.
- D499,374 S 12/2004 Jackson et al.
- D500,010 S 12/2004 Maziarka et al.
- D504,388 S 4/2005 Umstot et al.
- 6,920,906 B2 7/2005 Allison et al.
- 6,941,990 B2 9/2005 Rooney
- D511,738 S 11/2005 Maxwell
- D511,740 S 11/2005 Fukunaga

(Continued)

Primary Examiner — Robert M Spear
(74) *Attorney, Agent, or Firm* — Shaun Fox

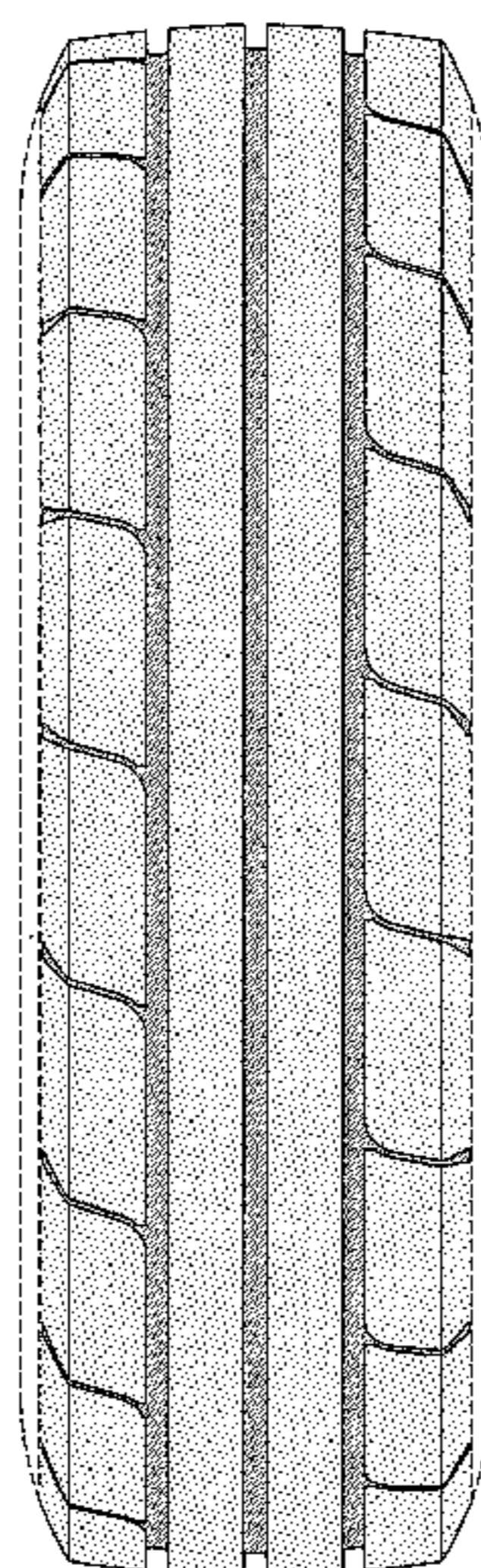
(57) **CLAIM**
The ornamental design for a tire tread, as shown and described.

DESCRIPTION

FIG. 1 is a side perspective view of a tire tread showing my new design, it being understood that the tread pattern is repeated throughout the circumference of the tire tread, the opposite side being the same as that shown; FIG. 2 is a front elevational view thereof, the opposite side being identical thereto; FIG. 3 is a side elevational view of the right side thereof; FIG. 4 is a side elevational view of the left side thereof; and, FIG. 5 is an enlarged fragmentary front elevational view thereof.
The broken lines defining the sidewall, inner bead, and the peripheral boundary between the claimed tire tread and the sidewall depict environmental subject matter that forms no part of the claimed design.

1 Claim, 5 Drawing Sheets

- (56) **References Cited**
U.S. PATENT DOCUMENTS
- D31,250 S * 7/1899 Kelly D12/500
- D67,971 S * 8/1925 Parker D12/585
- D112,687 S * 12/1938 Yelm D12/585
- 4,289,182 A * 9/1981 Sato et al. 152/209.11
- D313,582 S * 1/1991 Tsutsumi et al. D12/550
- D370,440 S * 6/1996 Kuwazima et al. D12/550
- D389,104 S 1/1998 Morgan
- D390,170 S * 2/1998 Stone et al. D12/590
- D413,556 S 9/1999 Krupa et al.
- D427,117 S 6/2000 Kawamura et al.
- D429,480 S * 8/2000 Bonko D12/500
- D449,570 S 10/2001 Lo
- D454,831 S 3/2002 Yuze
- D455,115 S 4/2002 Steinbach
- D455,708 S 4/2002 Yuze



(56)

References Cited

U.S. PATENT DOCUMENTS

D512,369 S	12/2005	Lo	D577,663 S	9/2008	Klein	
D512,682 S	12/2005	Krenz et al.	D579,864 S	11/2008	Haas et al.	
D512,683 S	12/2005	Dumigan et al.	D597,479 S *	8/2009	Scharis	D12/586
D512,959 S	12/2005	Fukunaga	D601,952 S	10/2009	Shavers et al.	
D512,960 S	12/2005	Graas et al.	D602,848 S	10/2009	Oohashi	
D534,981 S	1/2007	McGoon, IV	D602,849 S	10/2009	Kumamoto	
D544,828 S	6/2007	Shondel	D605,105 S	12/2009	Klein	
D548,172 S	8/2007	Dixon et al.	D610,525 S	2/2010	Behr et al.	
D553,558 S	10/2007	Sakakibara et al.	D610,527 S	2/2010	Youn	
D554,057 S	10/2007	Brainerd, II et al.	D611,892 S	3/2010	Huffman	
D555,078 S	11/2007	Radulescu et al.	D612,796 S	3/2010	Kajimoto et al.	
D558,137 S	12/2007	Maziarka et al.	D613,677 S	4/2010	Neubauer et al.	
D571,715 S	6/2008	Ashton et al.	D622,210 S	8/2010	Raatikainen et al.	
D577,330 S	9/2008	Miyasaka	D647,464 S *	10/2011	Scharis et al.	D12/585
			D665,729 S *	8/2012	Lundgren	D12/570
			D696,183 S *	12/2013	Yasunaga	D12/550

* cited by examiner

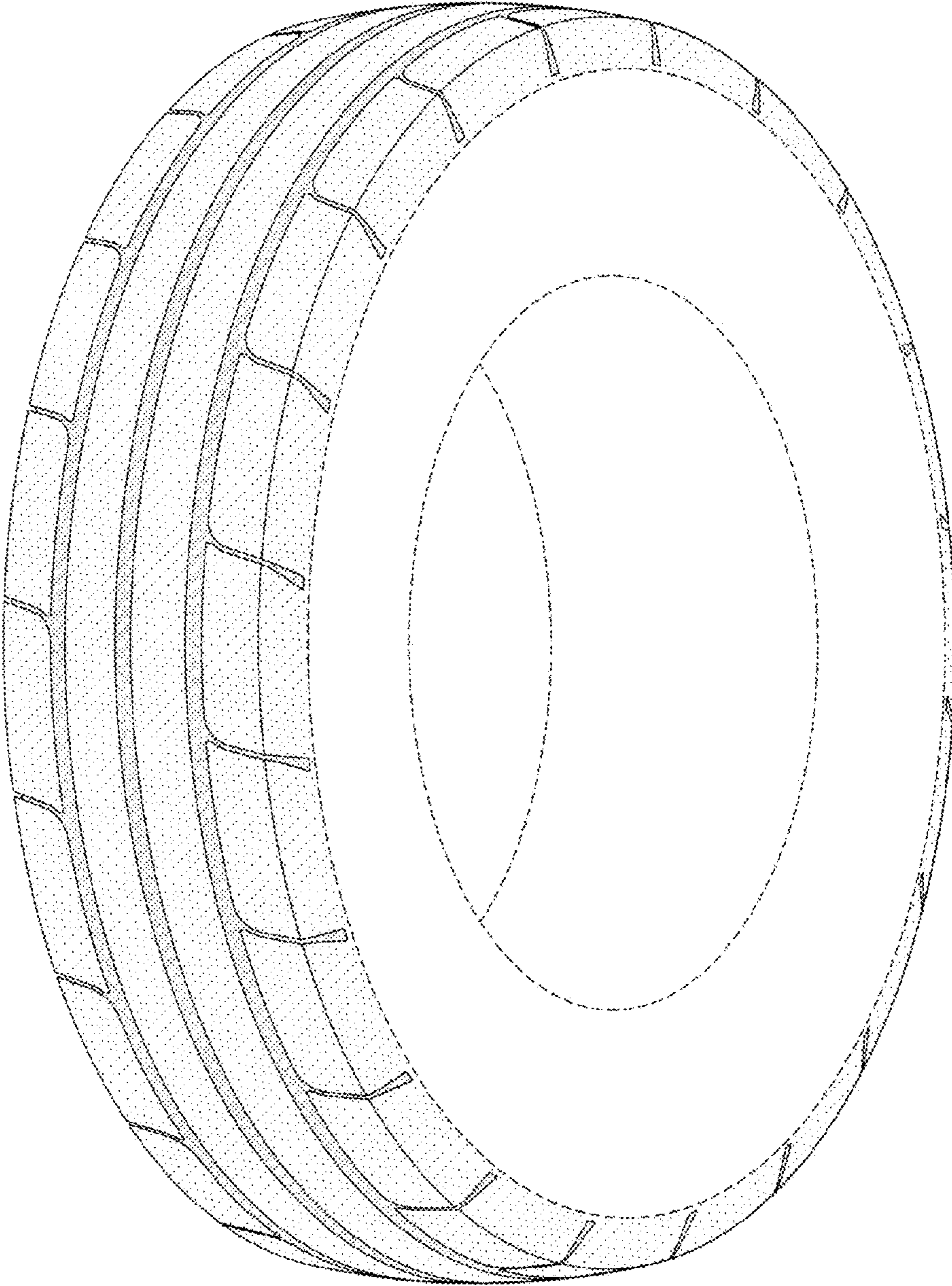


FIG-1

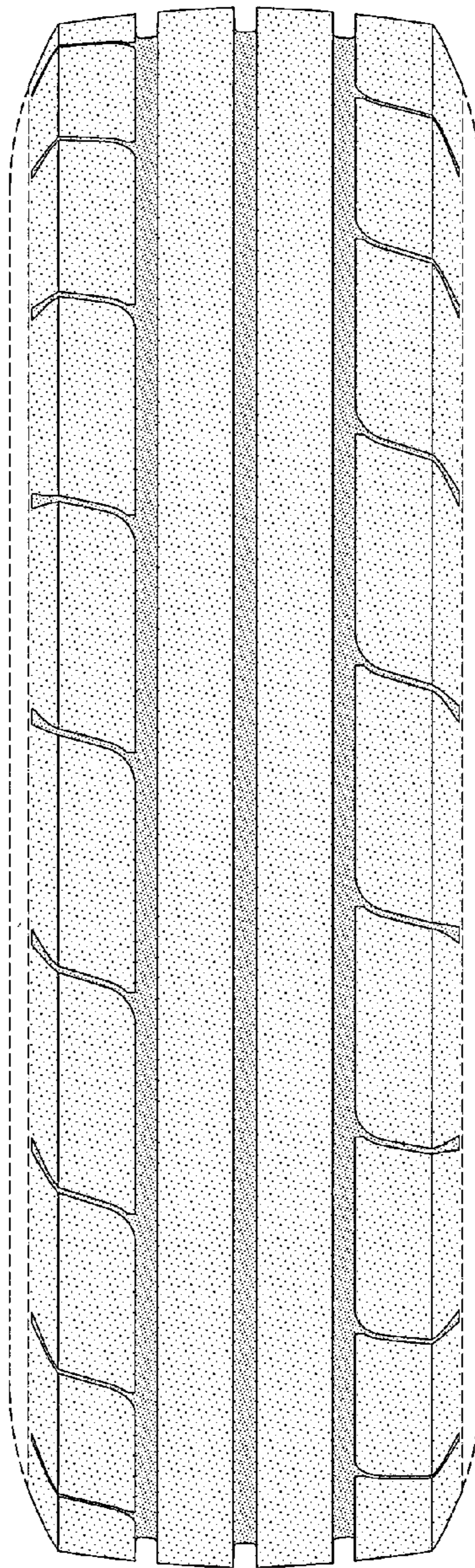


FIG-2

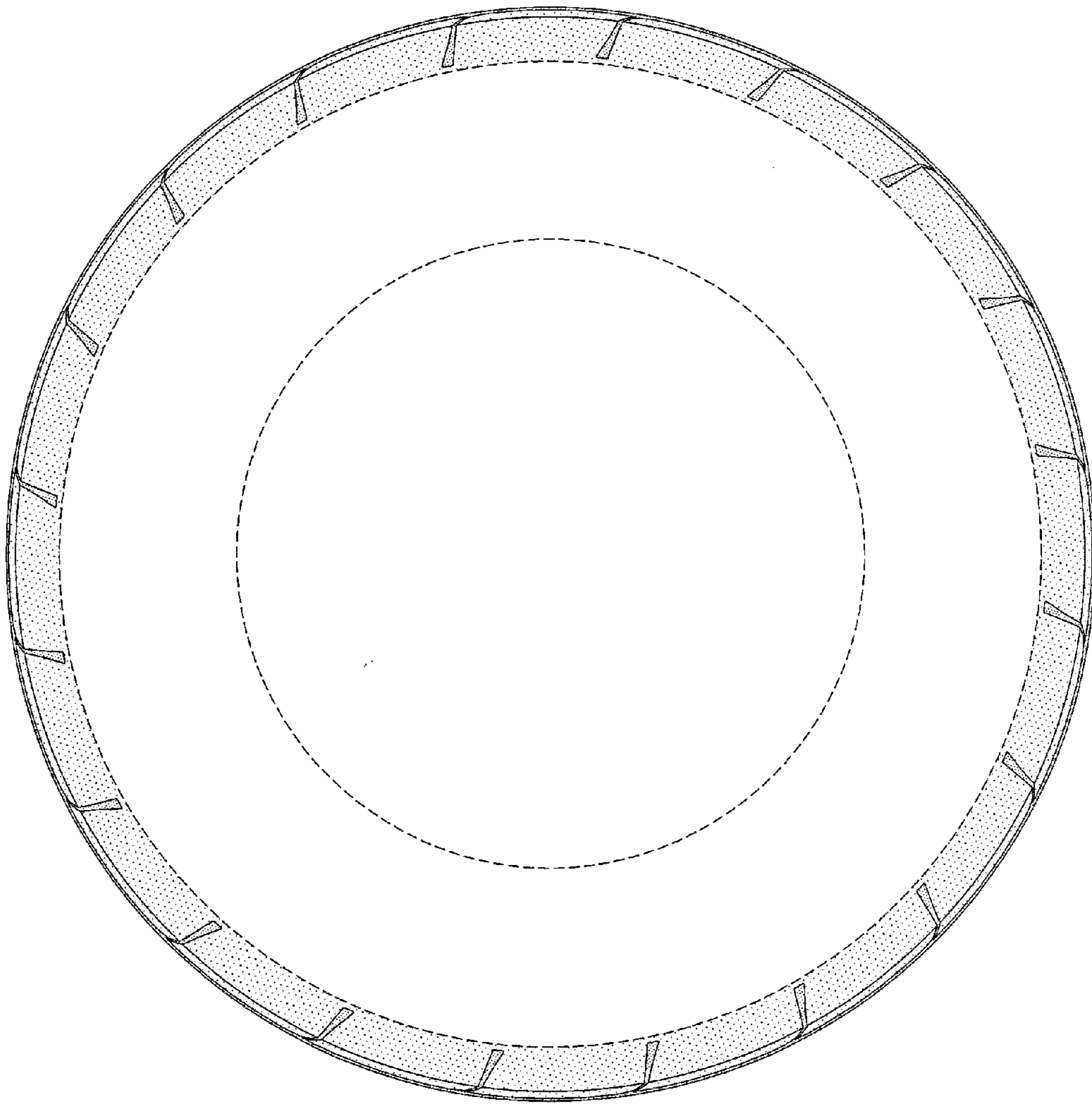


FIG-3

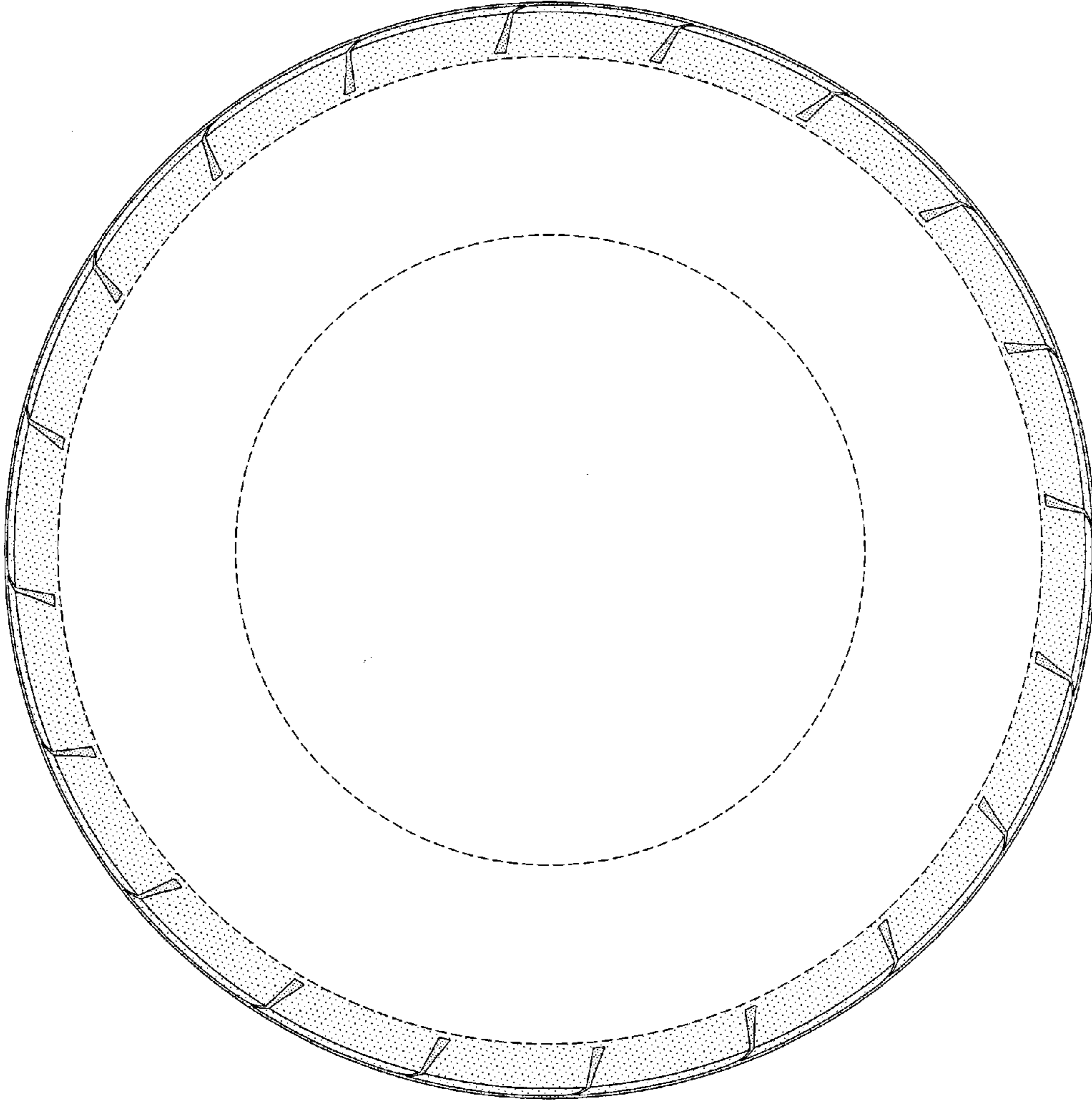


FIG-4

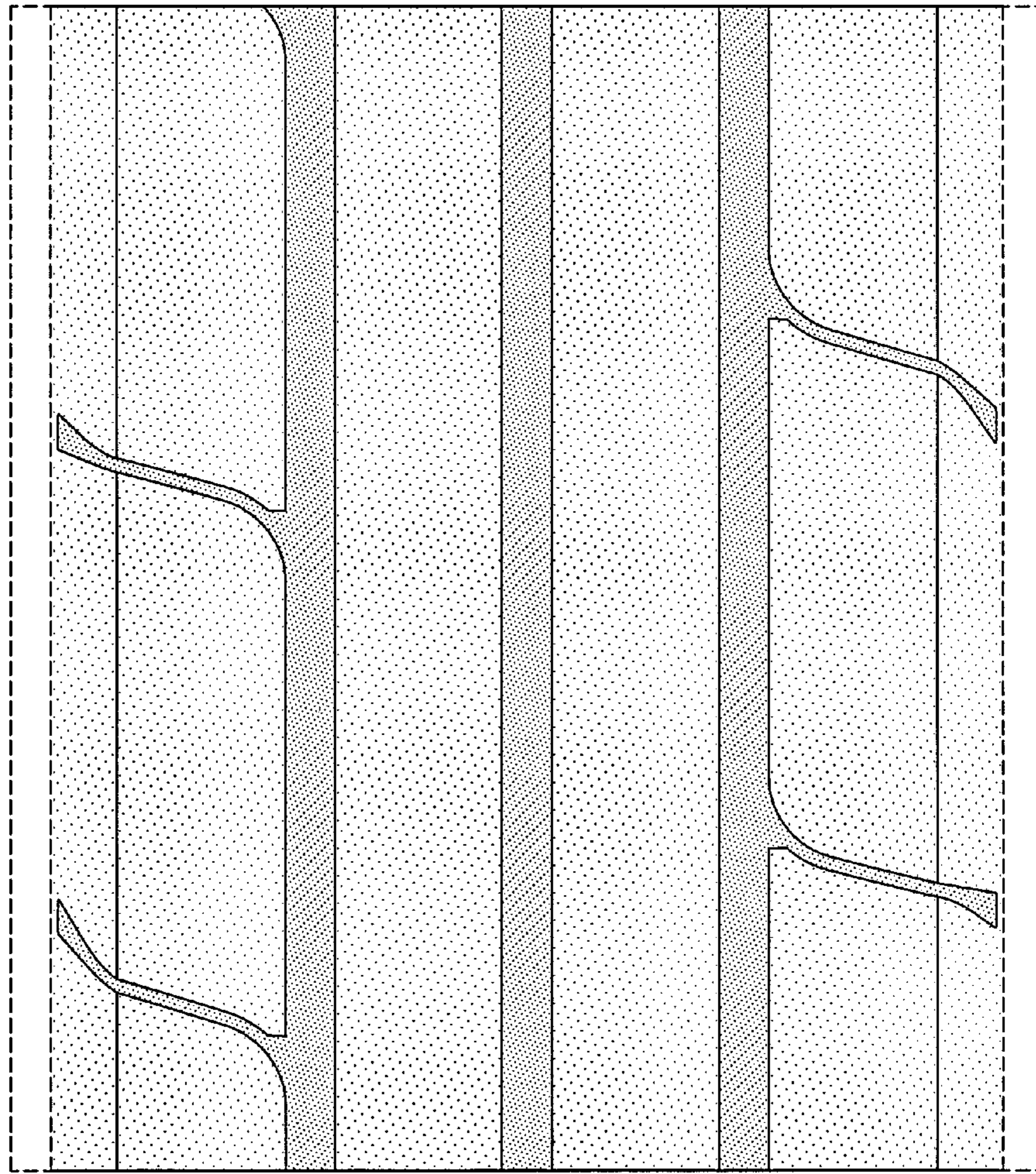


FIG-5