



US00D730270S

(12) **United States Design Patent**
Krier et al.

(10) **Patent No.:** **US D730,270 S**

(45) **Date of Patent:** **** May 26, 2015**

(54) **TIRE**

(71) Applicant: **The Goodyear Tire & Rubber Company, Akron, OH (US)**

(72) Inventors: **Jean-Julien Edouard Ghislain Krier, Bastogne (BE); Christophe Henri Joseph Schyns, Rossart (BE); Vincent Benoit Mathonet, Harze (BE)**

(73) Assignee: **The Goodyear Tire & Rubber Company, Akron, OH (US)**

(**) Term: **14 Years**

(21) Appl. No.: **29/448,926**

(22) Filed: **Mar. 14, 2013**

(51) **LOC (10) Cl.** **12-15**

(52) **U.S. Cl.**
USPC **D12/584**

(58) **Field of Classification Search**
CPC B60C 1/00
USPC D12/568-603; 152/209.1-209.28
See application file for complete search history.

(56) **References Cited**

U.S. PATENT DOCUMENTS

D370,439 S	6/1996	Feider et al.	D12/141
D381,606 S	7/1997	Graas et al.	D12/147
D425,457 S	5/2000	Gillard et al.	D12/146
D448,707 S	10/2001	Maziark et al.	D12/147
D481,670 S	11/2003	Harden, Jr. et al.	D12/595
D481,992 S	11/2003	Harden, Jr. et al.	D12/595
D511,741 S	11/2005	Cazin-Bourguignon et al.	D12/661
D534,484 S	1/2007	Feider et al.	D12/584
D554,053 S	10/2007	Feider et al.	D12/588
D555,081 S	11/2007	Feider et al.	D12/588
D583,309 S	12/2008	Licht et al.	D12/588
D592,589 S	5/2009	Dixon et al.	D12/600
D605,108 S	12/2009	Brown et al.	D12/588
D609,169 S	2/2010	Feider et al.	D12/588
D609,170 S	2/2010	Feider et al.	D12/588

D619,081 S	7/2010	Nicolas et al.	D12/571
D620,430 S	7/2010	Gillard et al.	D12/600
D631,001 S	1/2011	Hughes et al.	D12/601
D640,185 S	6/2011	Scheuren et al.	D12/588
D640,969 S	7/2011	Scheuren et al.	D12/588
D645,810 S	9/2011	Le et al.	D12/600
D647,033 S *	10/2011	Murata et al.	D12/584
D647,040 S	10/2011	Mathonet et al.	D12/588
D653,199 S	1/2012	Scheuren et al.	D12/588
D656,893 S *	4/2012	Kiwaki et al.	D12/594
D661,640 S	6/2012	Krier et al.	D12/588
D664,913 S	8/2012	Le et al.	D12/521

* cited by examiner

Primary Examiner — George D Kirschbaum

(74) *Attorney, Agent, or Firm* — Richard B. O'Planick

(57) **CLAIM**

The ornamental design for a tire, as shown and described.

DESCRIPTION

FIG. 1 is a perspective view of a tire showing our new design, it being understood that the pattern repeats uniformly throughout the circumference of the tread;

FIG. 2 is a front elevational view thereof;

FIG. 3 is a right side elevational view thereof; the opposite side elevational view being identical thereto;

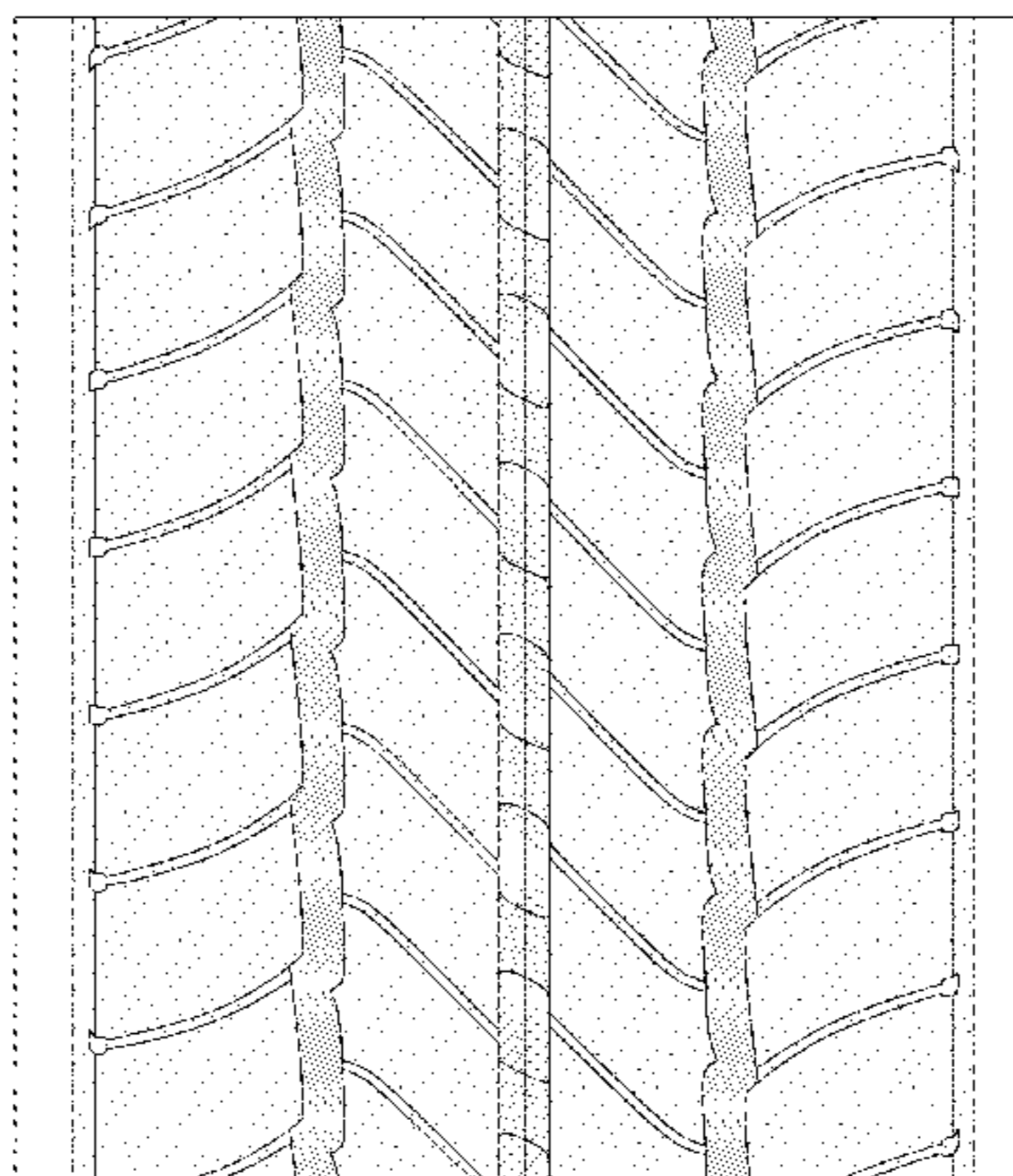
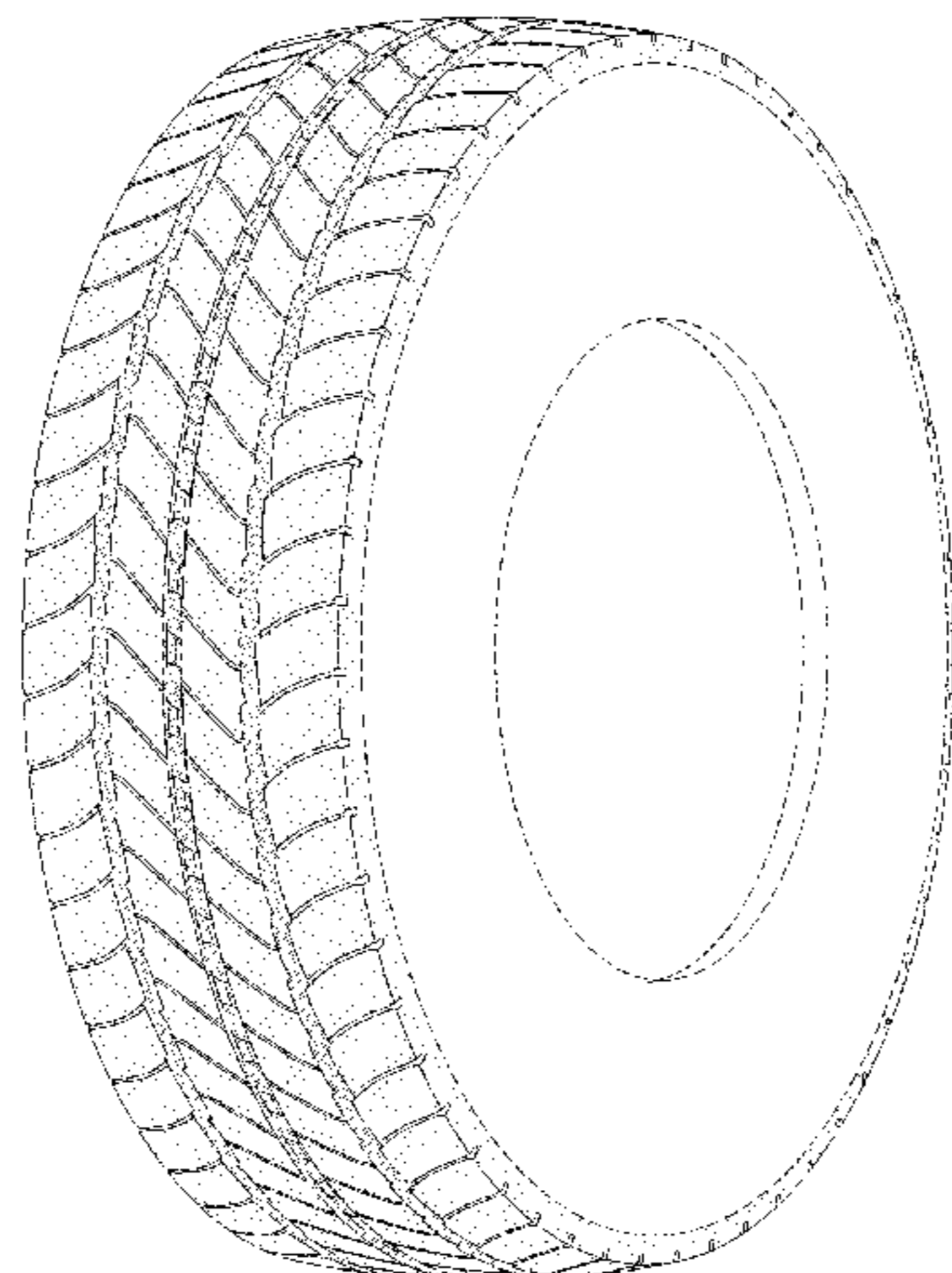
FIG. 4 is an enlarged fragmentary front elevational view thereof;

FIG. 5 is a perspective view of a second embodiment of a tire showing our new design, it being understood that the pattern repeats uniformly throughout the circumference of the tread and that the opposite side view is identical thereto; and,

FIG. 6 is a front elevational view of a second embodiment, it being understood that an enlarged fragmentary view thereof would be substantially identical to that shown in FIG. 4, with the exception of the inclusion of the sidewall in solid lines.

In the drawings, the broken lines showing of the sidewall, inner bead and the peripheral boundary between the tire tread and the sidewall in FIGS. 1 through 4 depict environmental subject matter and form no part of the claimed design.

1 Claim, 6 Drawing Sheets



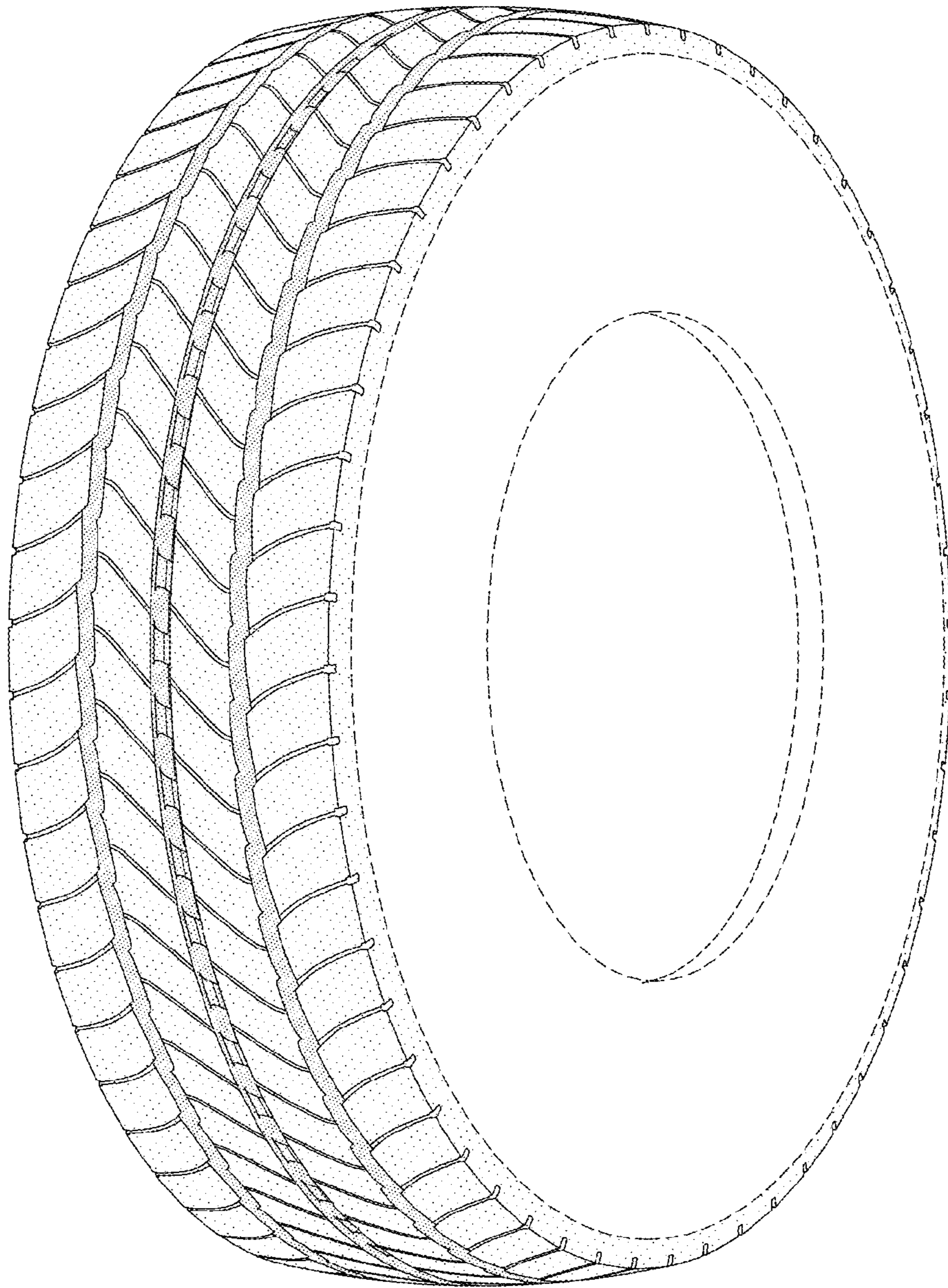


FIG-1

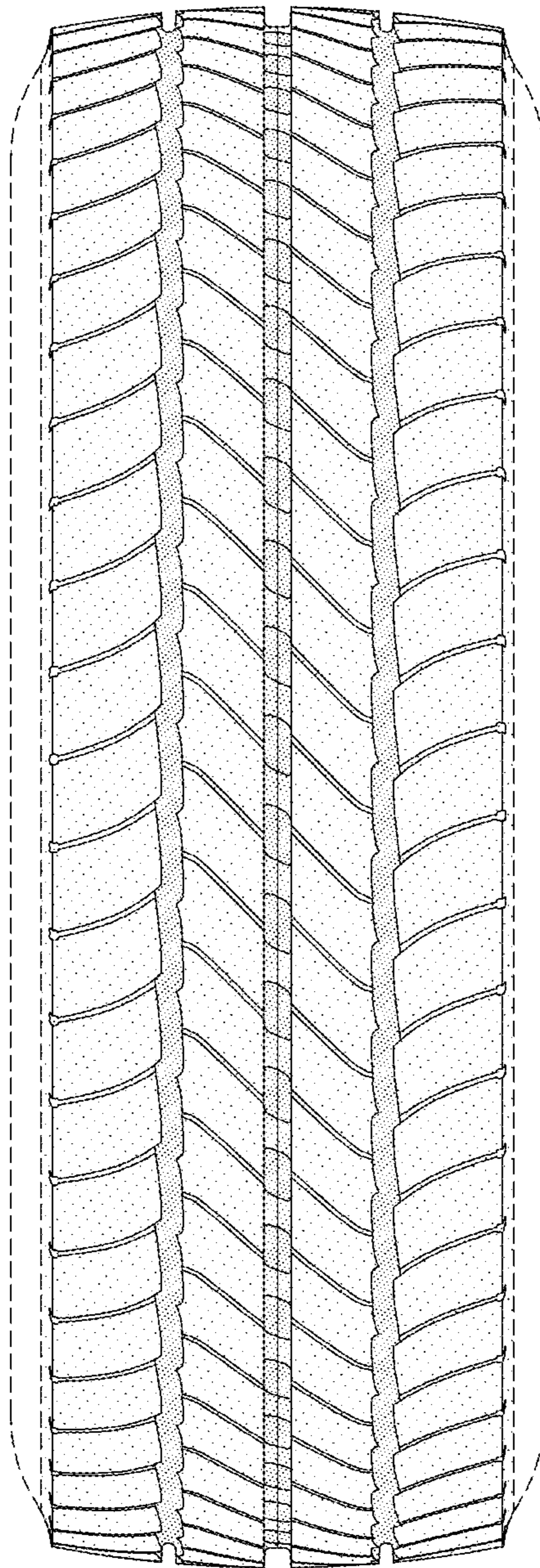


FIG-2

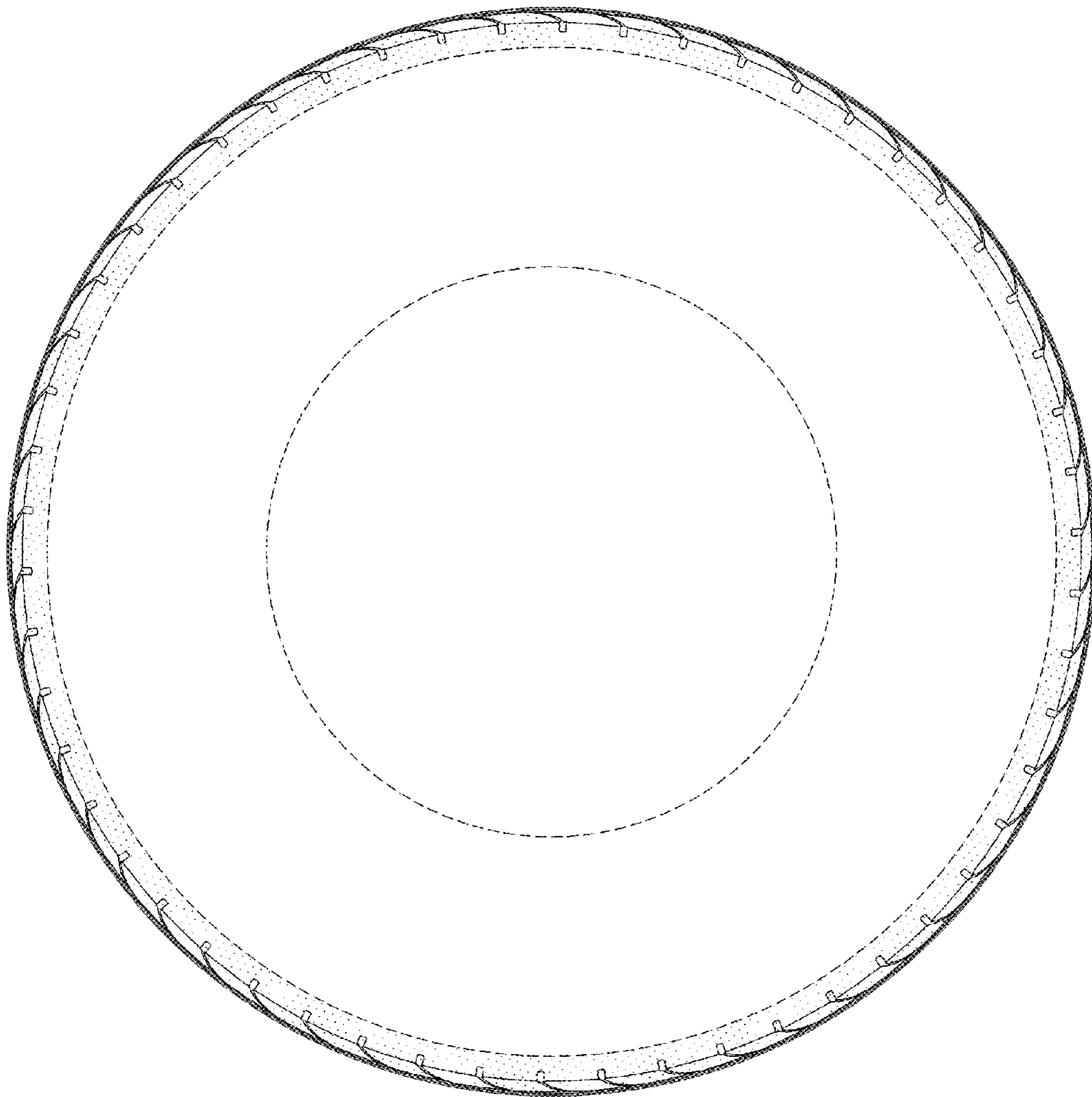


FIG-3

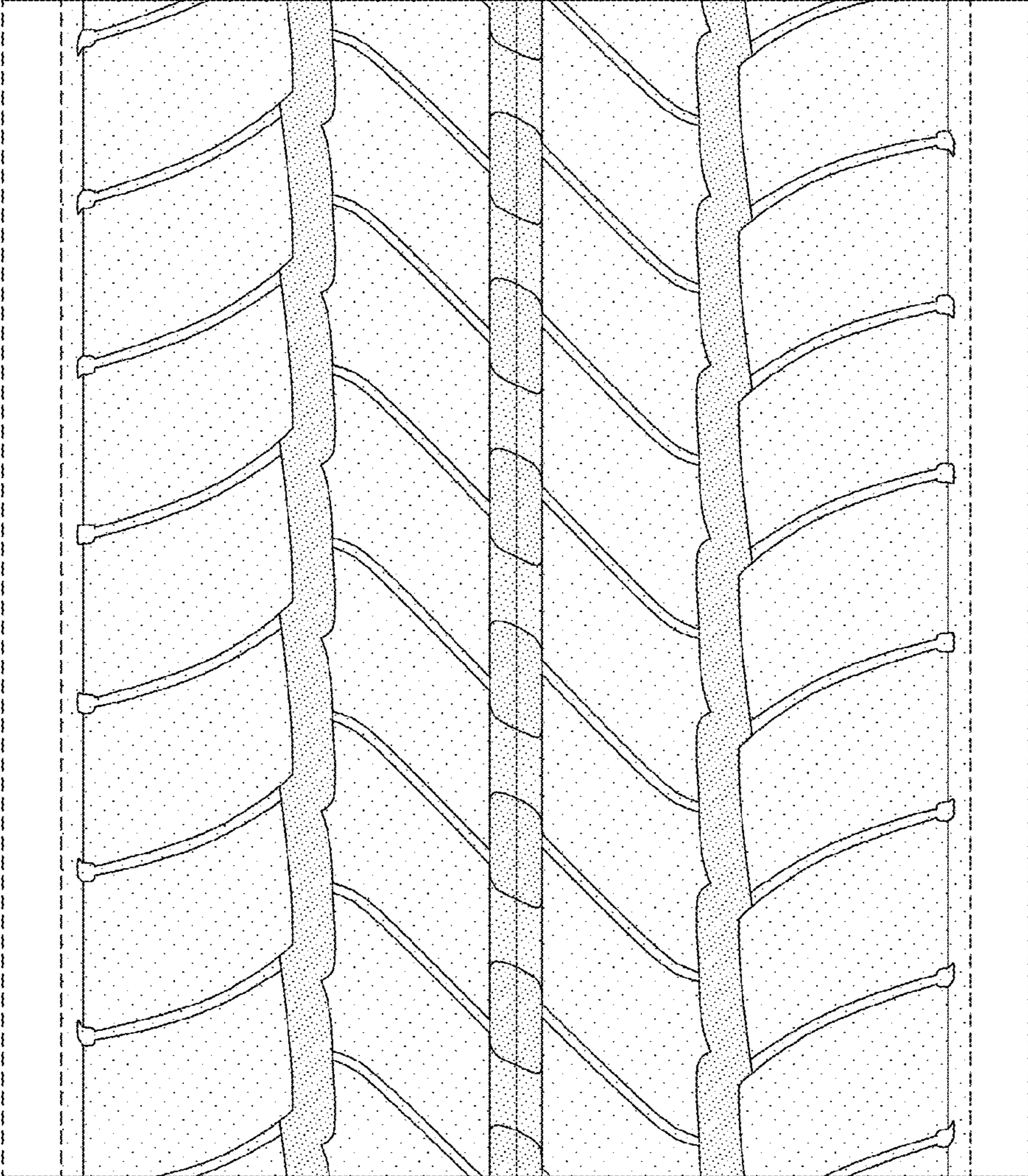


FIG-4

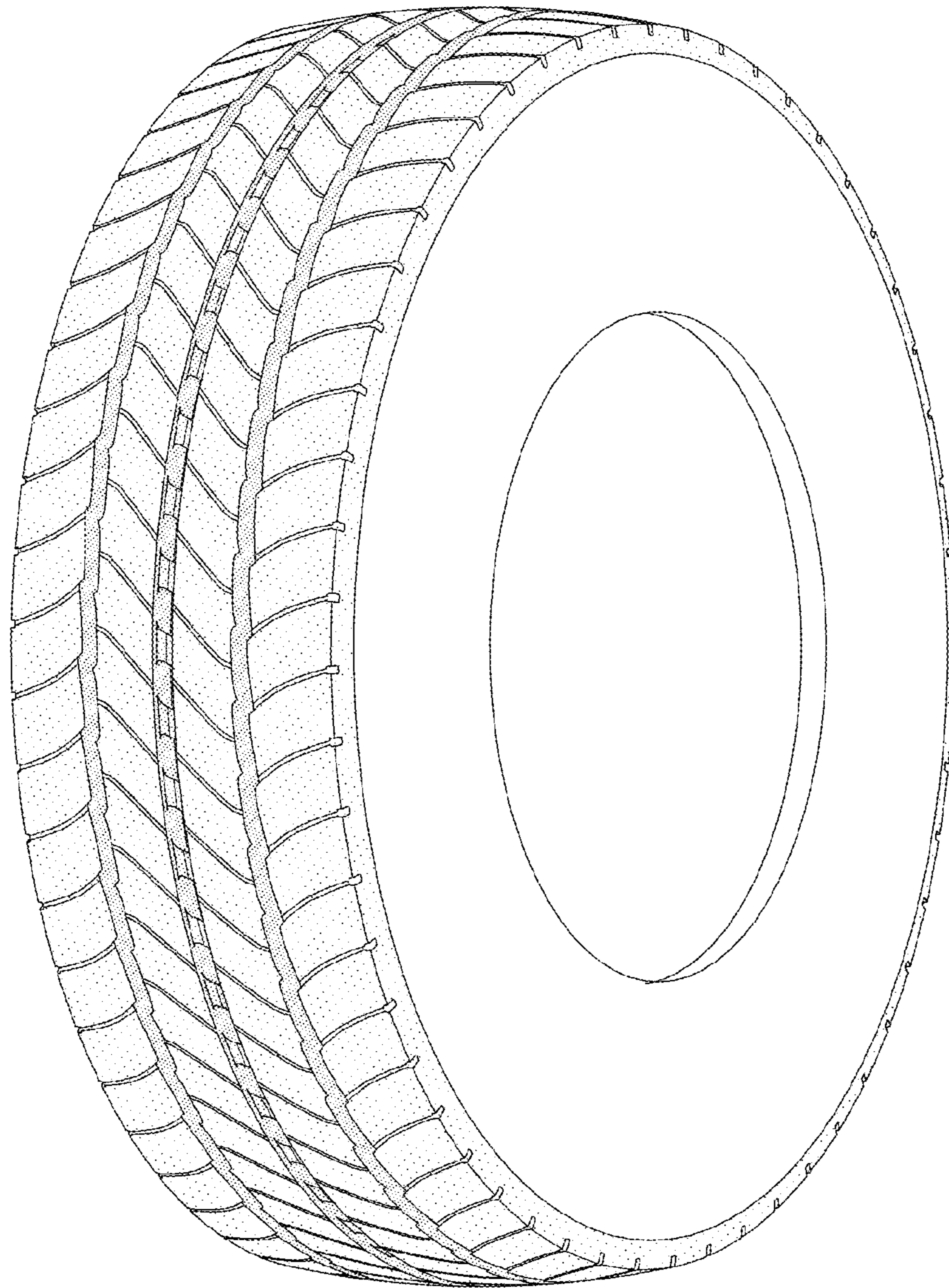


FIG-5

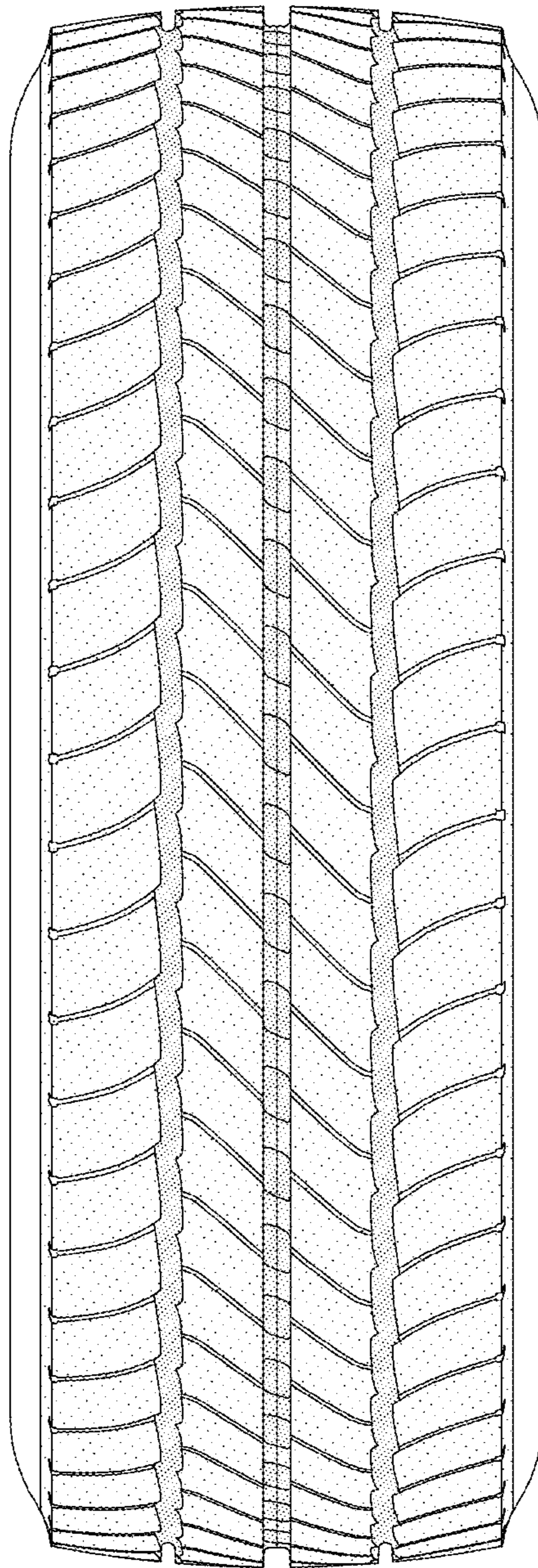


FIG-6