



US00D730269S

(12) **United States Design Patent**  
**Maxwell et al.**

(10) **Patent No.:** **US D730,269 S**

(45) **Date of Patent:** **\*\* May 26, 2015**

(54) **TIRE**

(71) Applicant: **The Goodyear Tire & Rubber Company, Akron, OH (US)**

(72) Inventors: **Paul Bryan Maxwell, Ketn, OH (US); Brian David Digman, Sagamore Hills, OH (US); Charles Kenneth Schmalix, Canal Fulton, OH (US); Richard Daniel Entler, Madison, OH (US); Evan Russell Cogansparger, Uniontown, OH (US); Nicholas Anthony Gullatta, North Canton, OH (US); Dominik Helmut Schreyer, Fairlawn, OH (US); Michael Geno Cicchiani, Macedonia, OH (US)**

(73) Assignee: **The Goodyear Tire & Rubber Company, Akron, OH (US)**

(\*\*) Term: **14 Years**

(21) Appl. No.: **29/488,222**

(22) Filed: **Apr. 17, 2014**

(51) **LOC (10) Cl.** ..... **12-15**

(52) **U.S. Cl.**  
USPC ..... **D12/523**

(58) **Field of Classification Search**  
CPC ..... B60C 11/0304; B60C 11/0302; B60C 11/0306; B60C 11/0309; B60C 11/0318; B60C 11/0311; B60C 11/042; B60C 11/13; B60C 11/00; B60C 11/11; B60C 11/12  
USPC ..... D12/505-532  
See application file for complete search history.

(56) **References Cited**

U.S. PATENT DOCUMENTS

D324,842 S	*	3/1992	Covert et al.	.....	D12/519
D333,456 S	*	2/1993	Woo	.....	D12/523
D347,817 S	*	6/1994	Montag	.....	D12/523
D403,282 S	*	12/1998	Aull et al.	.....	D12/523
D423,422 S		4/2000	Schloover et al.	.....	D12/146

D432,956 S		10/2000	Ricquet	.....	D12/141
D451,441 S		12/2001	Weber	.....	D12/146
D453,729 S		2/2002	Demagall et al.	.....	D12/523
D483,004 S	*	12/2003	Schomburg et al.	.....	D12/519
D559,168 S	*	1/2008	Murata	.....	D12/523
D559,767 S		1/2008	Graas et al.	.....	D12/521
D570,766 S	*	6/2008	Kiwaki	.....	D12/519
D571,281 S	*	6/2008	Murata et al.	.....	D12/519
D599,276 S		9/2009	Fontaine et al.	.....	D12/519
D601,939 S		10/2009	Fontaine et al.	.....	D12/519
D609,161 S		2/2010	Fontaine et al.	.....	D12/517
D609,627 S		2/2010	Frappart et al.	.....	D12/523
D619,080 S	*	7/2010	Woidtke et al.	.....	D12/519
D626,910 S		11/2010	Bott et al.	.....	D12/519

(Continued)

*Primary Examiner* — Stacia Cadmus

(74) *Attorney, Agent, or Firm* — Richard B. O'Planick

(57) **CLAIM**

The ornamental Design for a tire, as shown and described.

**DESCRIPTION**

FIG. 1 is a perspective view of a tire showing our new design, it being understood that the pattern repeats uniformly throughout the circumference of the tread;

FIG. 2 is a front elevational view thereof;

FIG. 3 is a right side elevational view thereof;

FIG. 4 is a left side elevational view thereof;

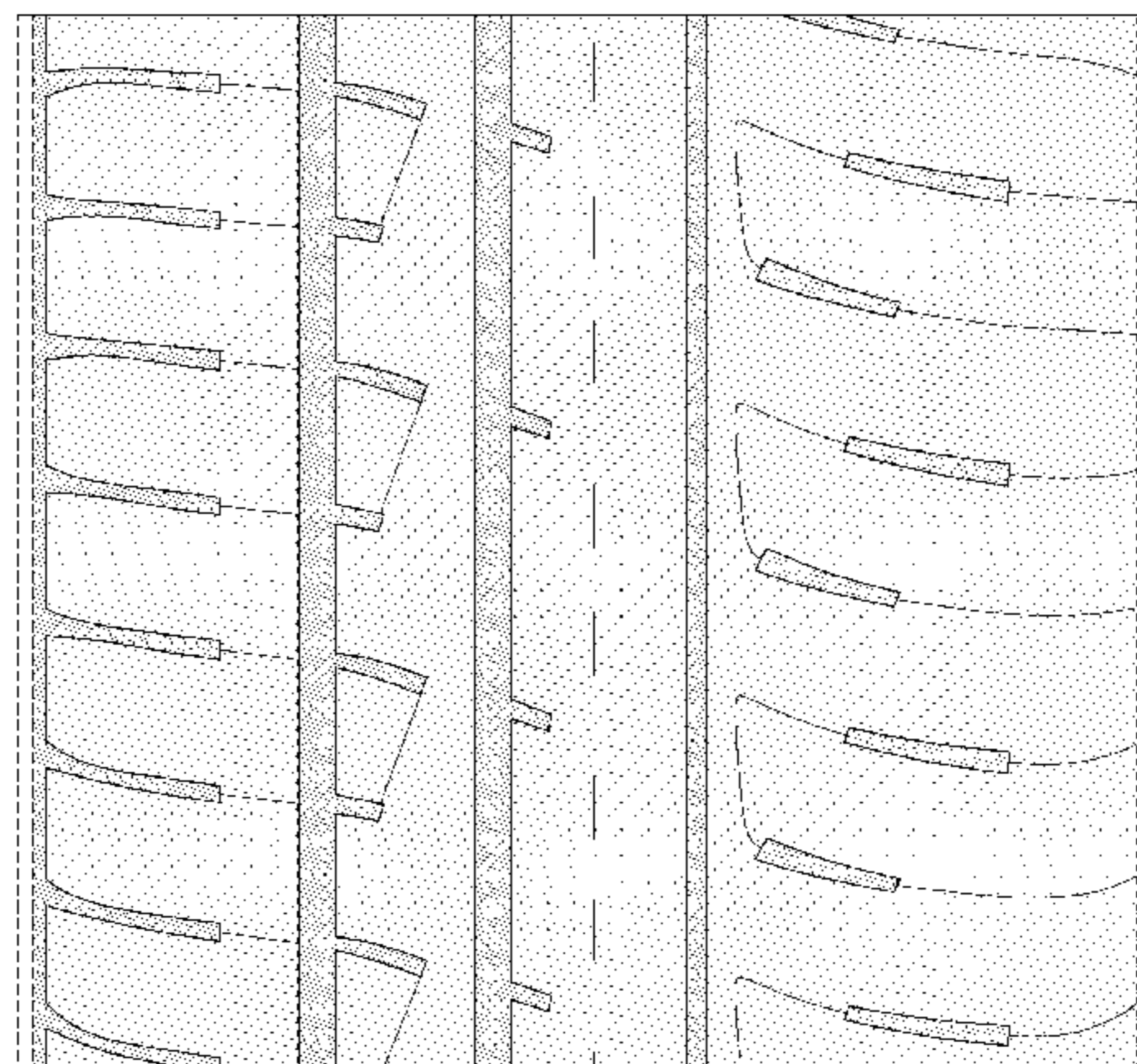
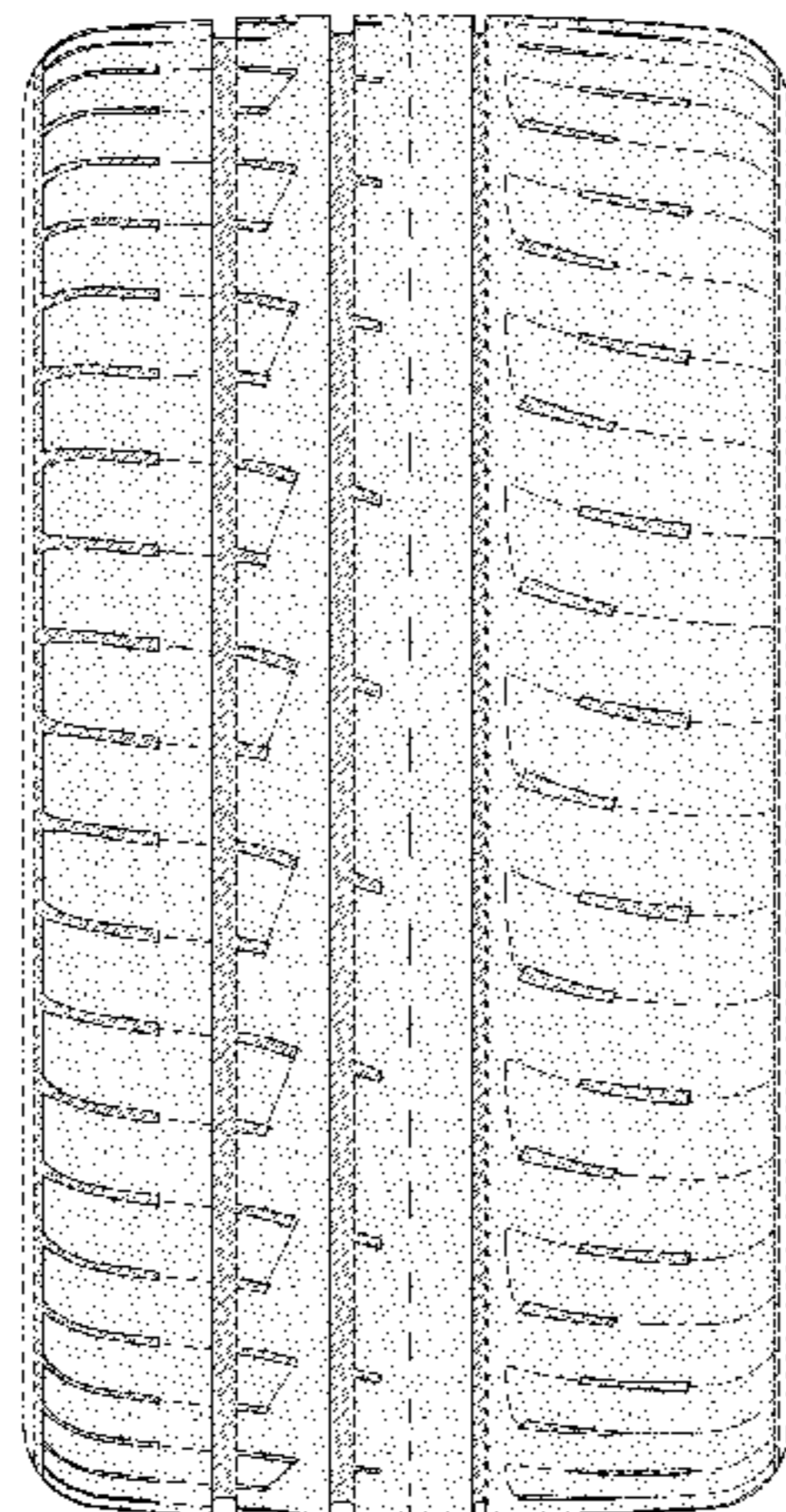
FIG. 5 is an enlarged fragmentary front elevational view thereof;

FIG. 6 is a perspective view of a second embodiment of a tire showing our new design, it being understood that the pattern repeats uniformly throughout the circumference of the tread; and,

FIG. 7 is a front elevational view of a second embodiment, it being understood that an enlarged fragmentary view thereof would be substantially identical to that shown in FIG. 5, with the exception of the inclusion of the sidewall in solid lines.

In the drawings, the broken lines showing of the sidewall, inner bead and the peripheral boundary between the tire tread and the sidewall in FIGS. 1 through 5 depict environmental subject matter and form no part of the claimed design.

**1 Claim, 7 Drawing Sheets**



(56)

**References Cited**

U.S. PATENT DOCUMENTS

D634,699 S	3/2011	Fontaine et al. ....	D12/517	D648,668 S	11/2011	Kujime .....	D12/519
D638,348 S	5/2011	Harvey et al. ....	D12/521	D650,322 S	12/2011	Takahashi .....	D12/519
D639,719 S	6/2011	Harvey et al. ....	D12/521	D659,633 S	5/2012	Bindner et al. ....	D12/521
D639,720 S	6/2011	Harvey et al. ....	D12/521	D665,335 S	8/2012	Baumard et al. ....	D12/517
D643,800 S	8/2011	Riswanda .....	D12/523	D667,358 S	9/2012	Fontaine et al. ....	D12/518
D644,593 S	9/2011	Fontaine et al. ....	D12/523	D668,598 S	10/2012	Hughes et al. ....	D12/521
D647,456 S	10/2011	Behr .....	D12/519	D679,241 S	4/2013	Fehl et al. ....	D12/524
				D689,430 S	9/2013	Fontaine et al. ....	D12/523
				D692,371 S	10/2013	Fontaine et al. ....	D12/517
				D694,702 S	12/2013	Leconte et al. ....	D12/521

\* cited by examiner

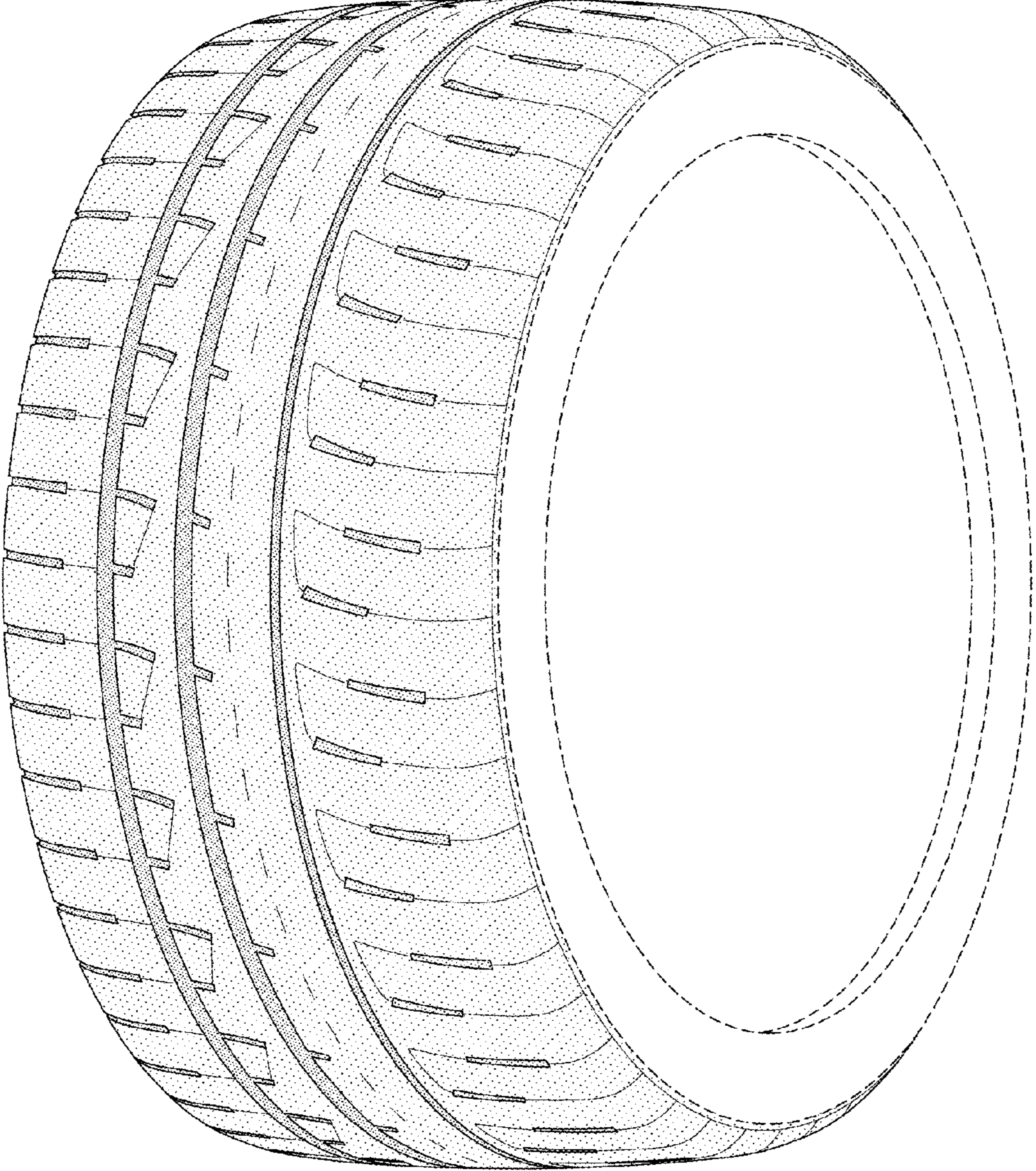


FIG-1

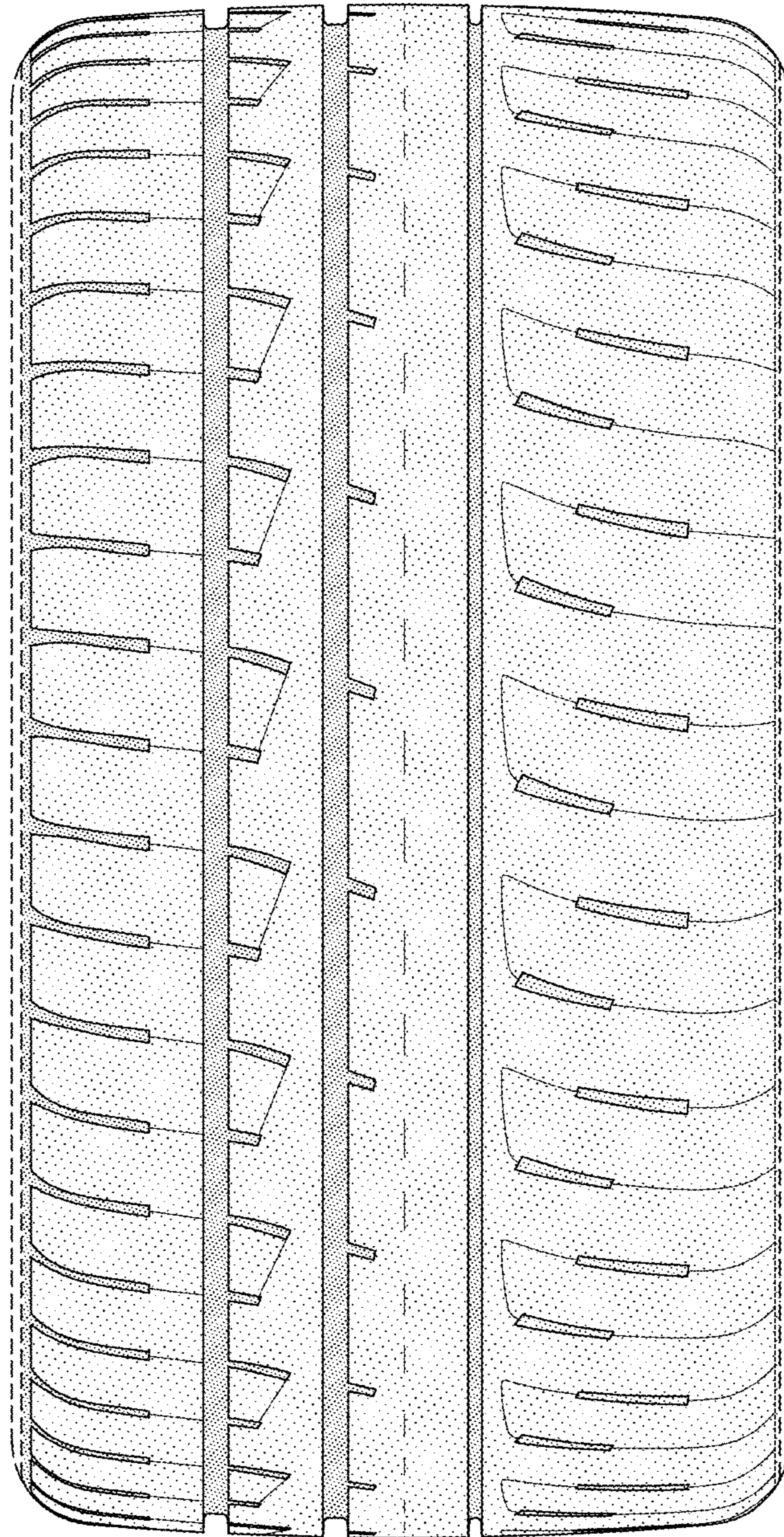


FIG-2

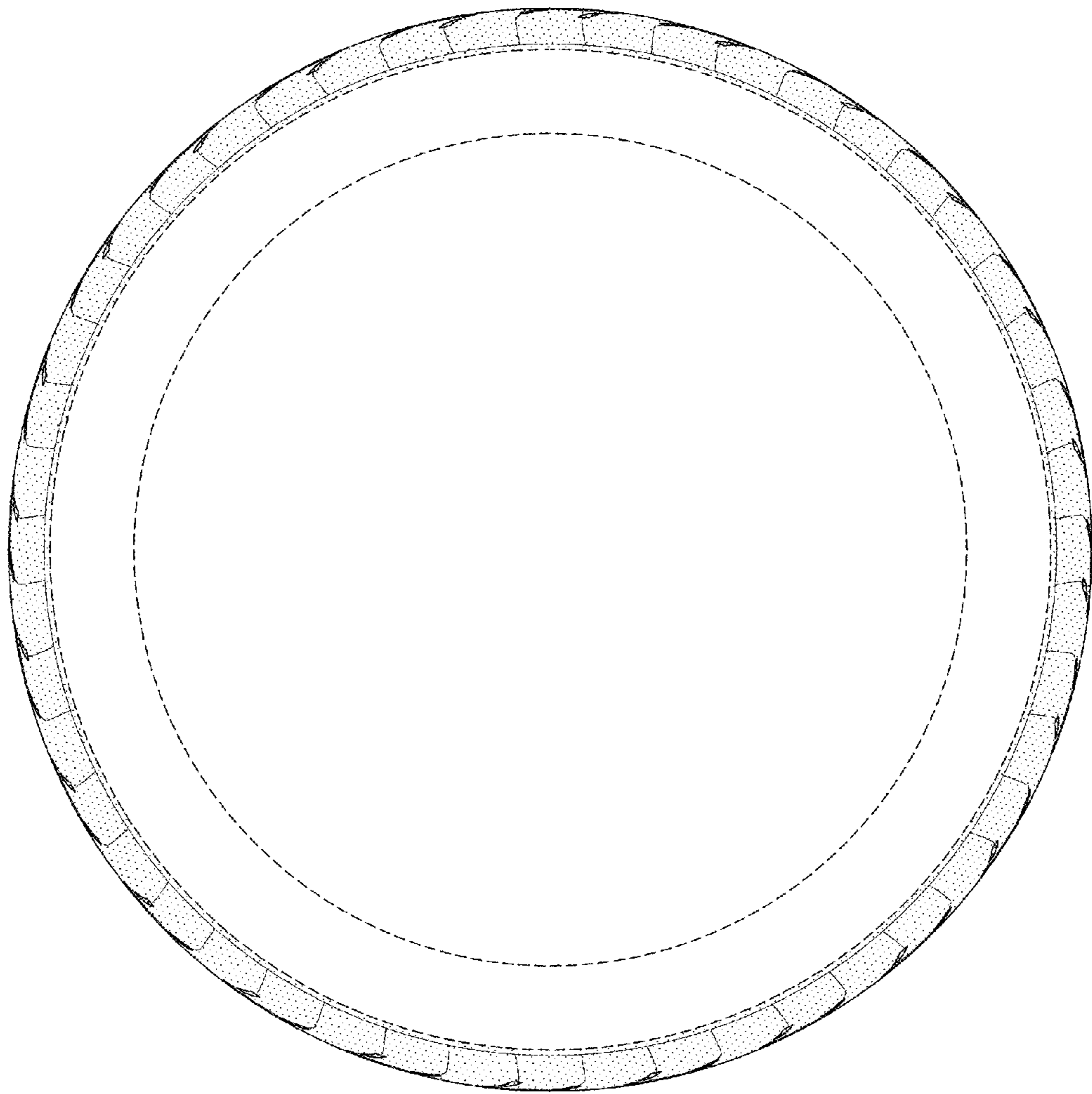


FIG-3

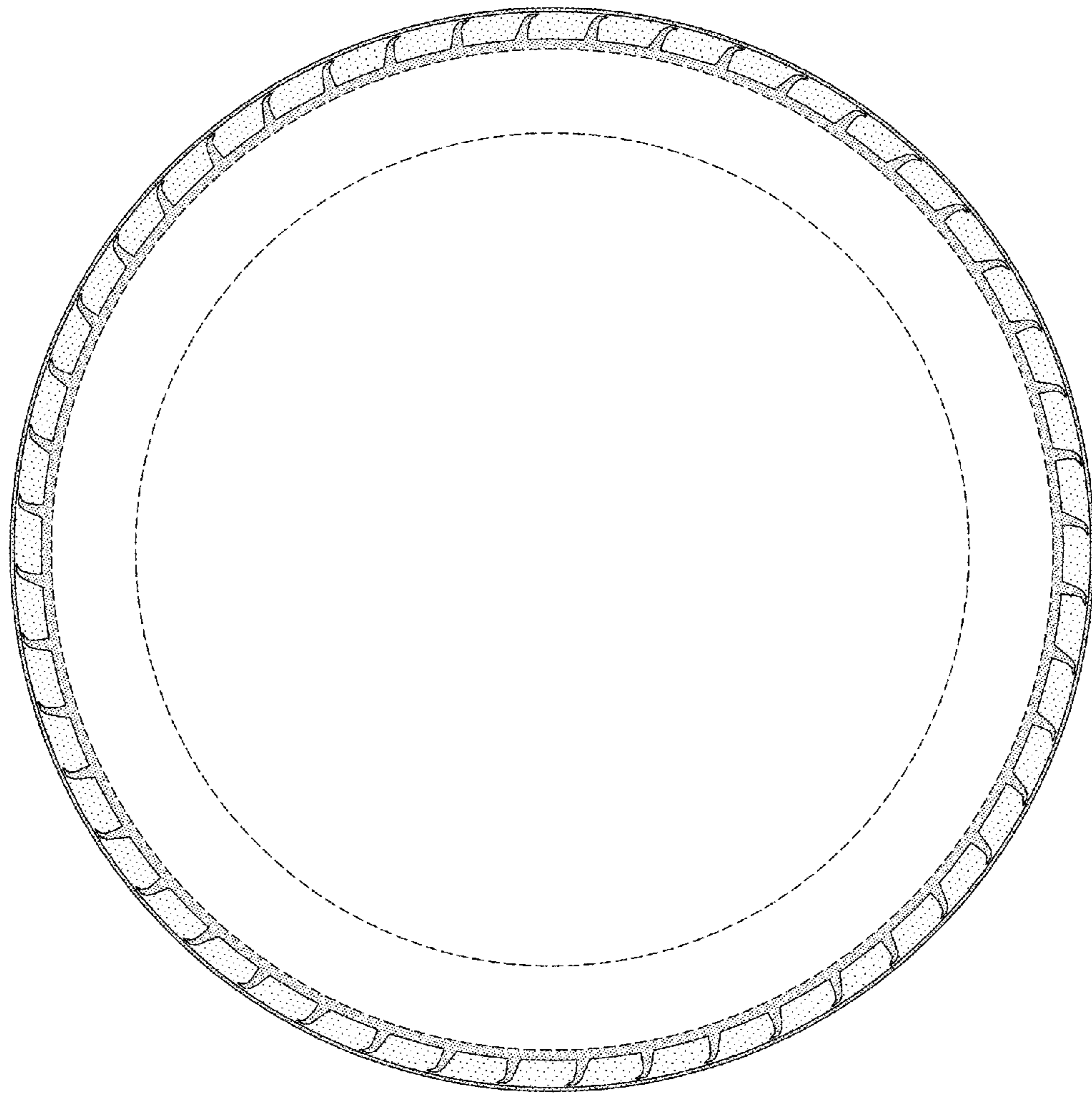


FIG-4

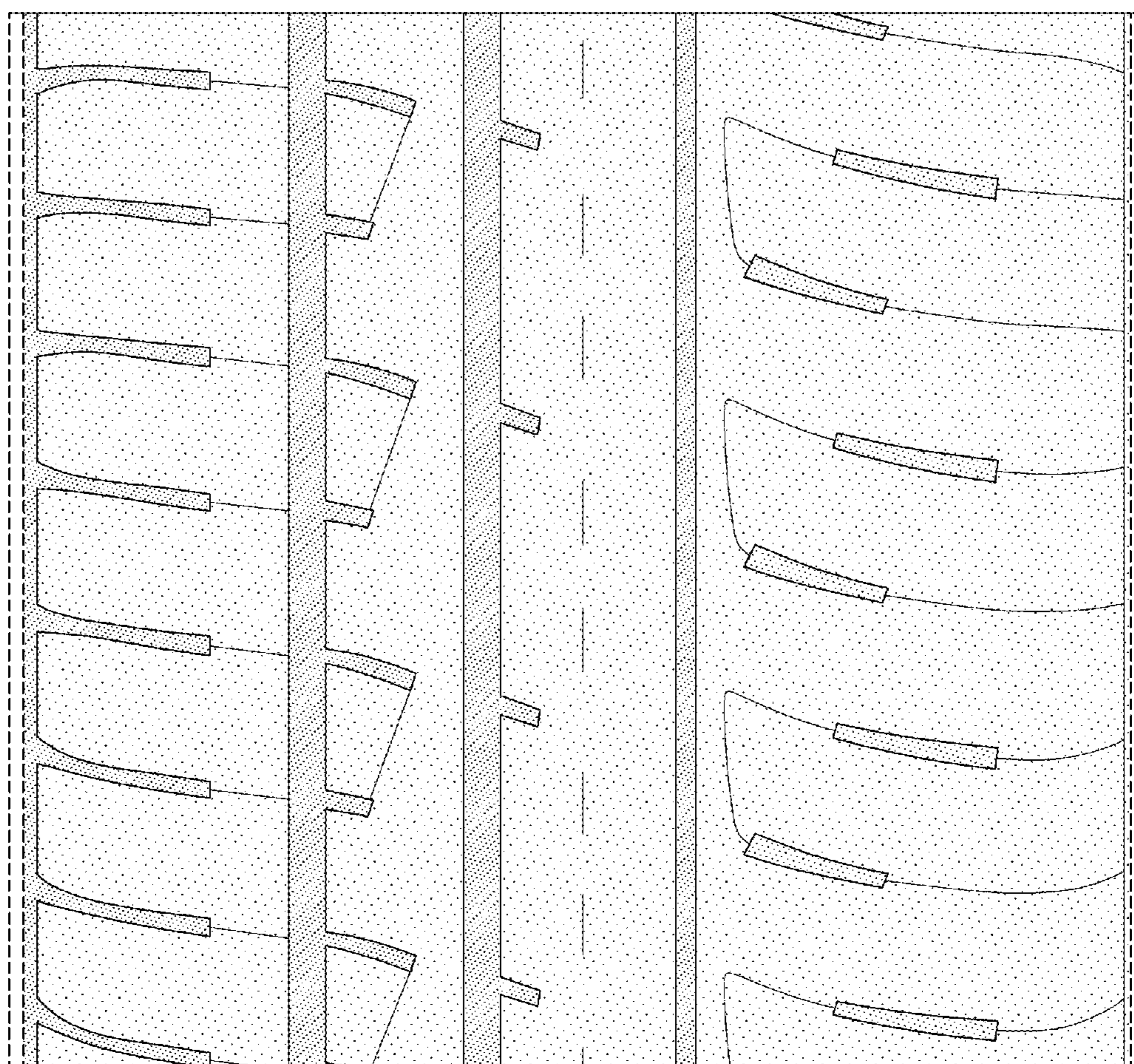


FIG-5

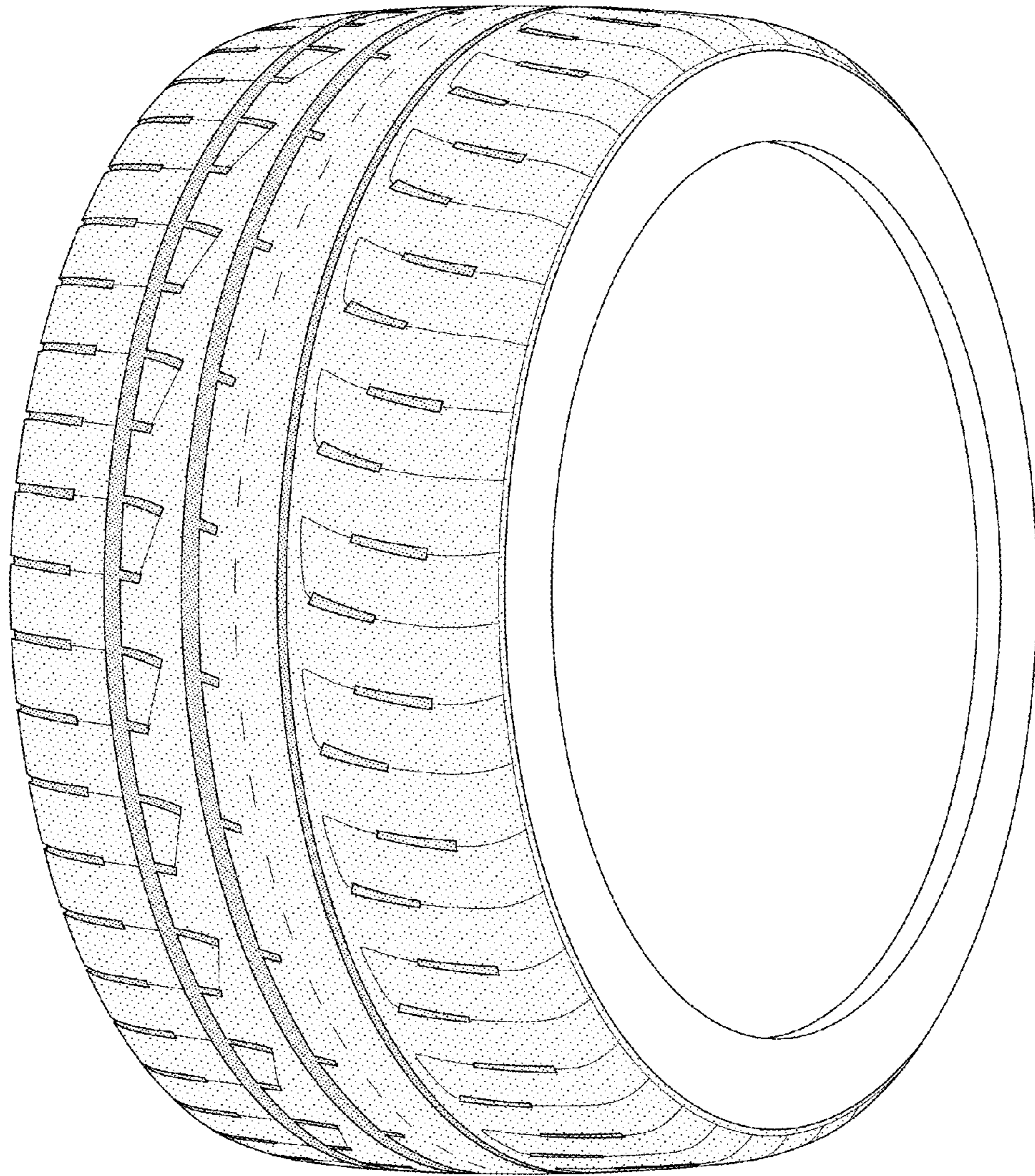


FIG-6



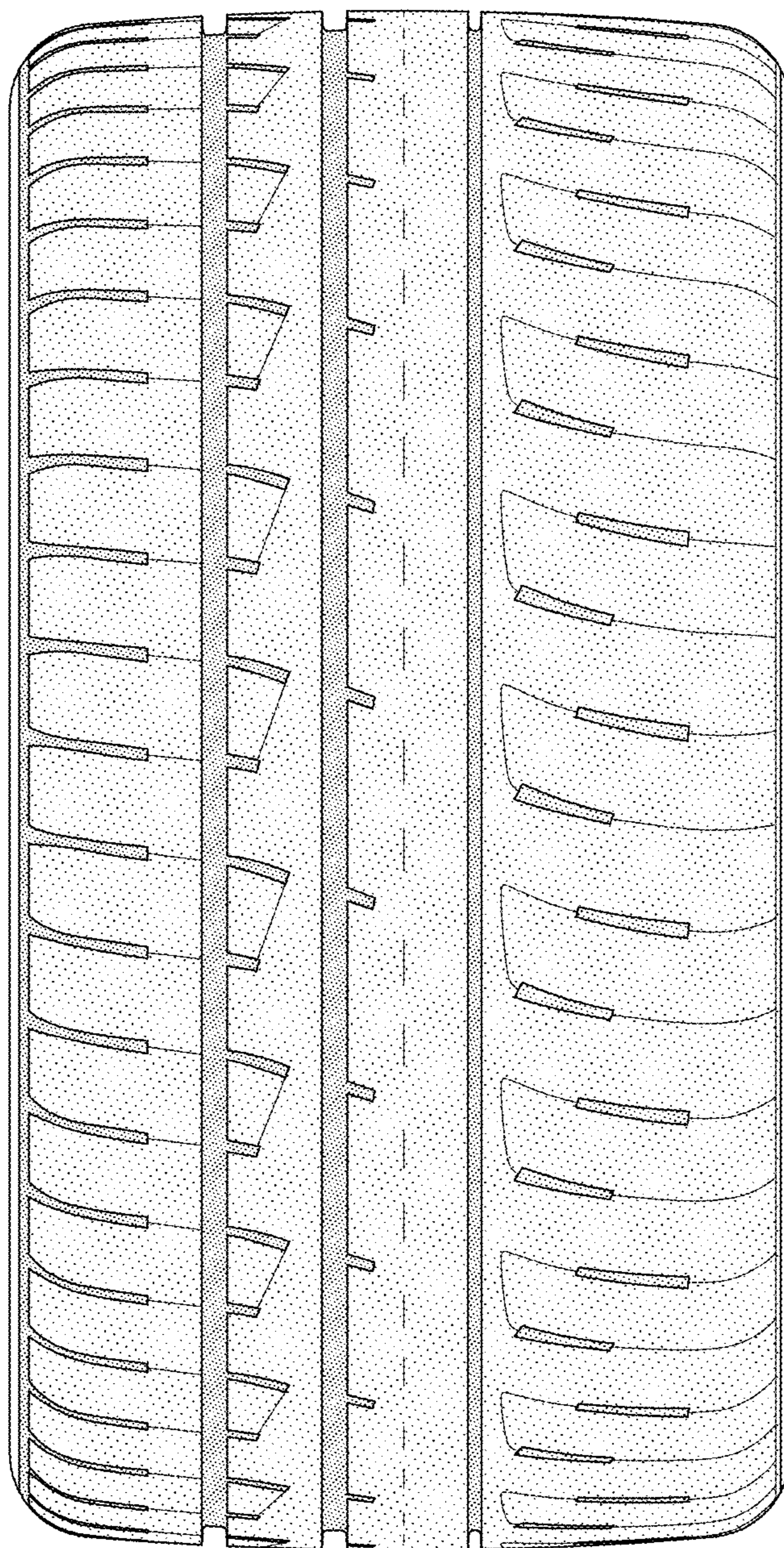


FIG-7