



US00D730268S

(12) **United States Design Patent**
Dowell

(10) **Patent No.:** **US D730,268 S**
(45) **Date of Patent:** **** May 26, 2015**

(54) **CHAIR ACCESSORY ARTICLE**

(71) Applicant: **Robert Christopher Dowell**, Marietta, GA (US)

(72) Inventor: **Robert Christopher Dowell**, Marietta, GA (US)

(**) Term: **14 Years**

(21) Appl. No.: **29/477,394**

(22) Filed: **Dec. 20, 2013**

(51) **LOC (10) CI.** **12-16**

(52) **U.S. CI.**
USPC **D12/416**

(58) **Field of Classification Search**
USPC D12/415–419, 423; D6/513, 514, 611, D6/553, 556, 559; D7/601–602, 605–607; D3/216, 217, 319; 224/652–653, 627, 224/153, 539, 314, 318; 296/37.8–37.15, 296/188.04–188.07; 297/188.12, 188.2
See application file for complete search history.

(56) **References Cited**

U.S. PATENT DOCUMENTS

D337,445	S	*	7/1993	Sando	D6/368
5,524,957	A	*	6/1996	Gibriano	297/144
5,863,088	A	*	1/1999	Kelly et al.	294/146
6,030,034	A	*	2/2000	Plohetski	297/188.06
D687,627	S	*	8/2013	Schiffman	D3/217

D688,065	S	*	8/2013	Emerson	D6/567
D706,555	S	*	6/2014	Lipfert et al.	D6/611
2005/0053312	A1	*	3/2005	Hankins et al.	383/4

* cited by examiner

Primary Examiner — Katrina A Betton

(74) *Attorney, Agent, or Firm* — Thomas | Horstemeyer, LLP.

(57) **CLAIM**

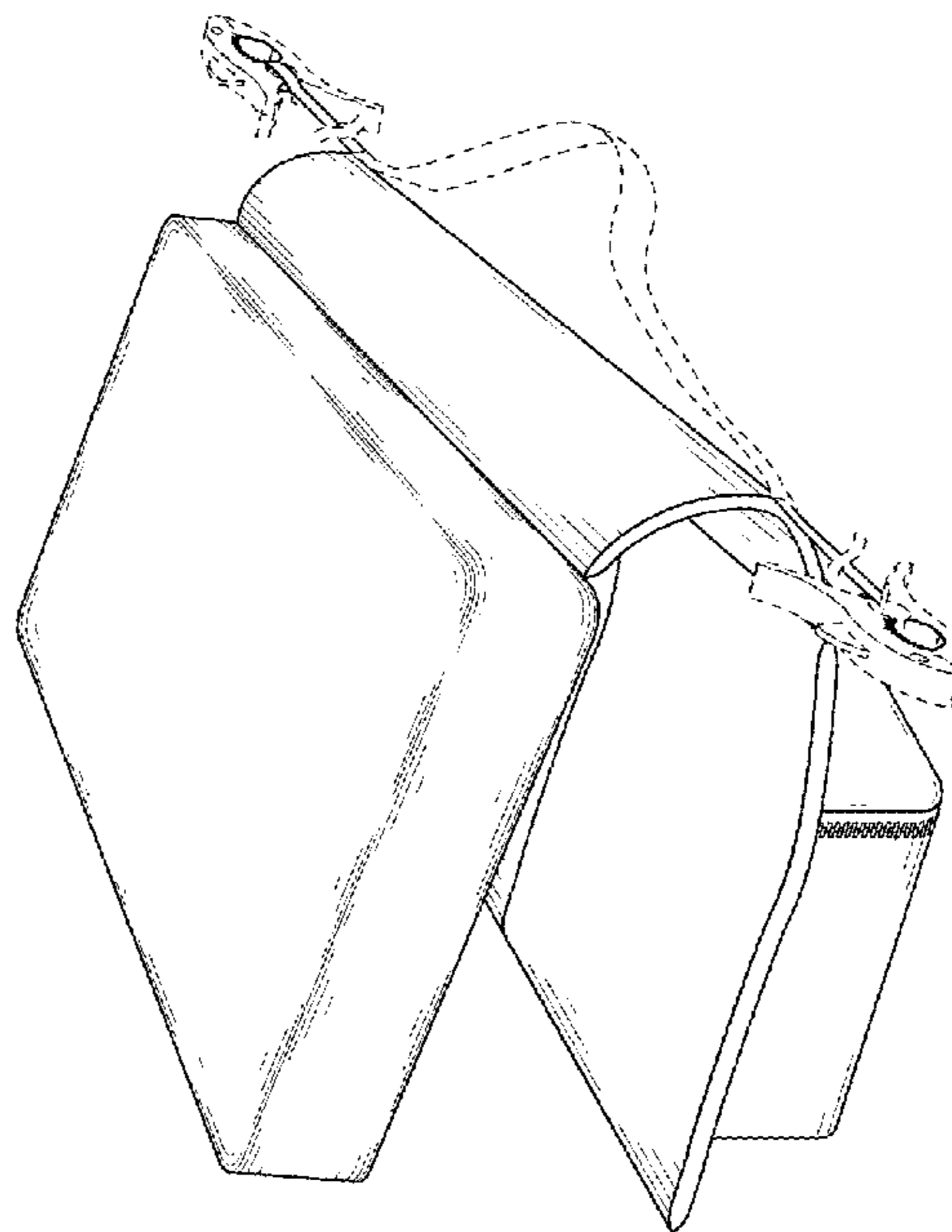
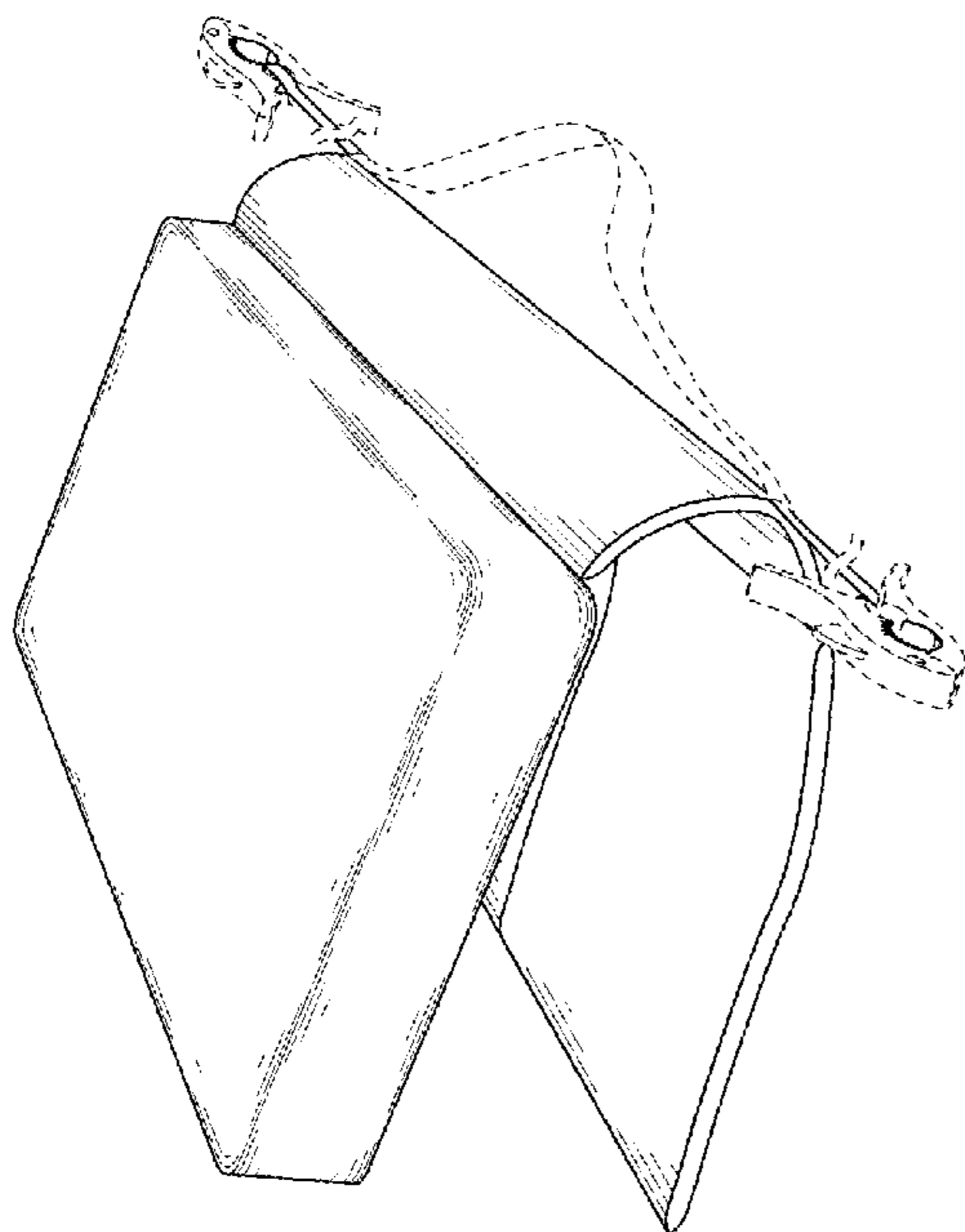
The ornamental design for a chair accessory article, as shown and described.

DESCRIPTION

FIG. 1 is a front perspective view of my new chair accessory article;
FIG. 2 is a back perspective view of my new chair accessory article of FIG. 1;
FIG. 3 is a top plan view of my new chair accessory article of FIGS. 1 and 2;
FIG. 4 is a front perspective view of another embodiment of my new chair accessory article;
FIG. 5 is a back perspective view of the other embodiment of my new chair accessory article of FIG. 4; and,
FIG. 6 is a top plan view of the other embodiment my new chair accessory article of FIGS. 4 and 5.

The breaks in the drawing figures show no specific length. In the drawings, the broken lines depict attachment elements that form no part of the claimed design.

1 Claim, 4 Drawing Sheets



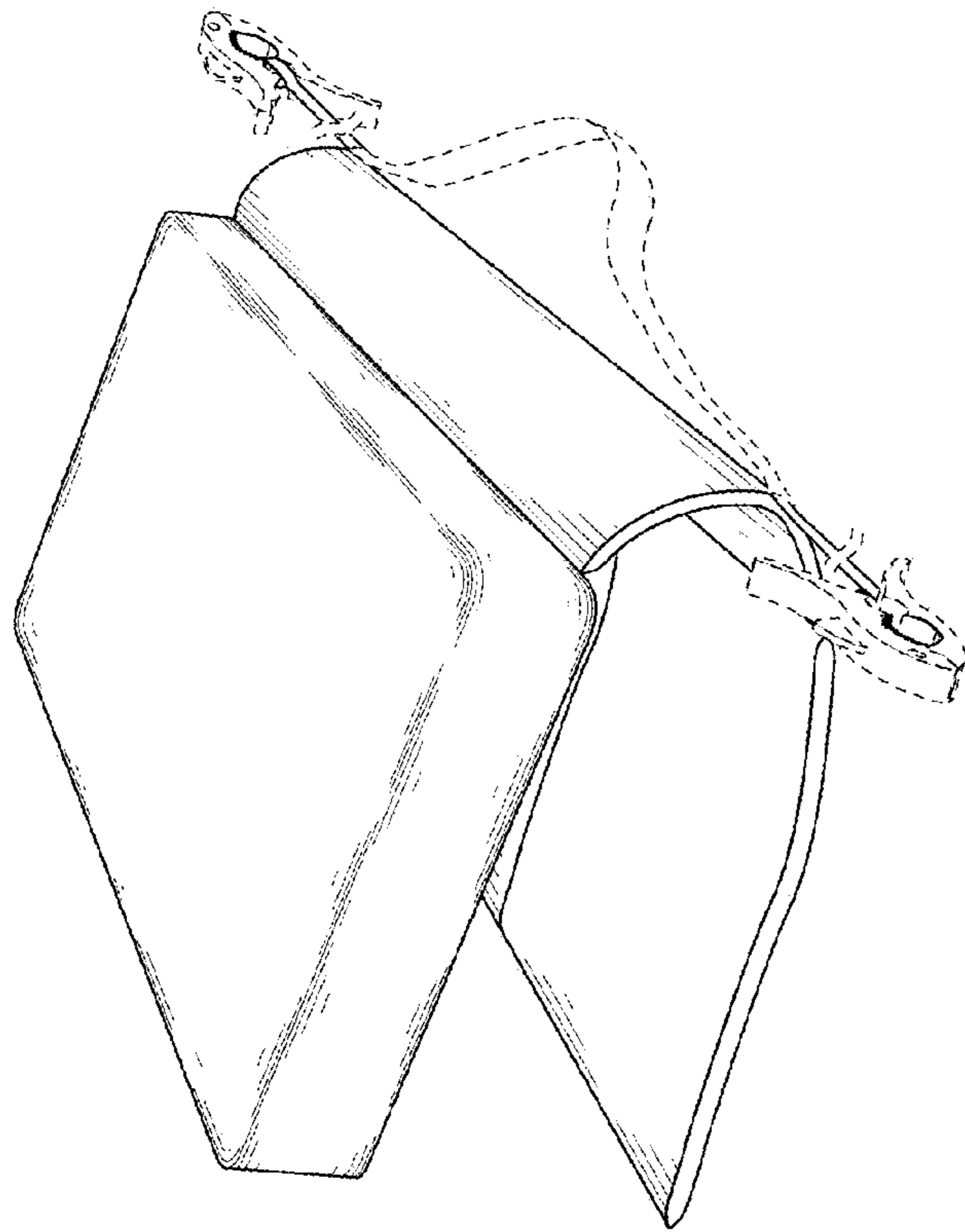
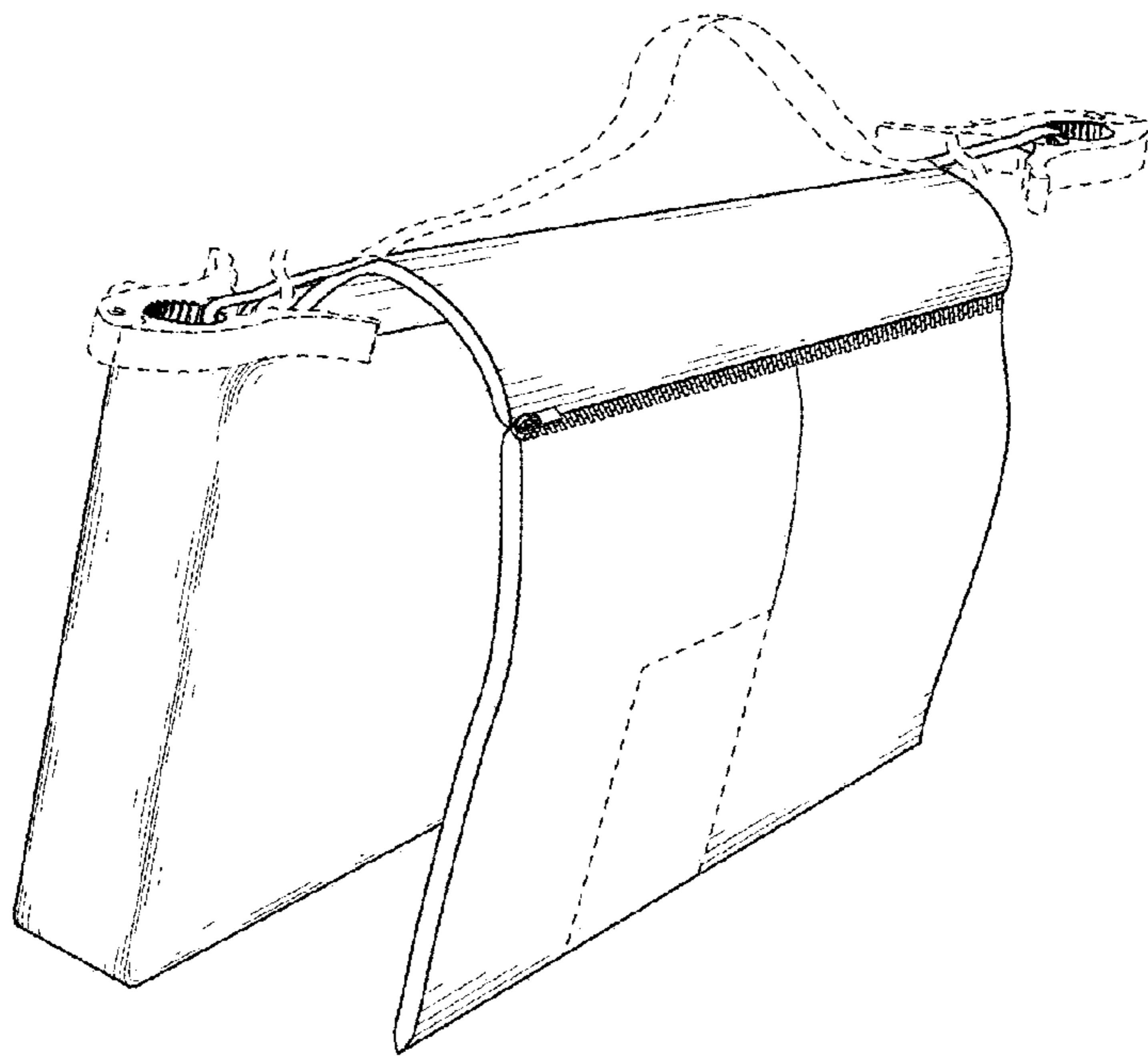


FIG. 1

FIG. 2



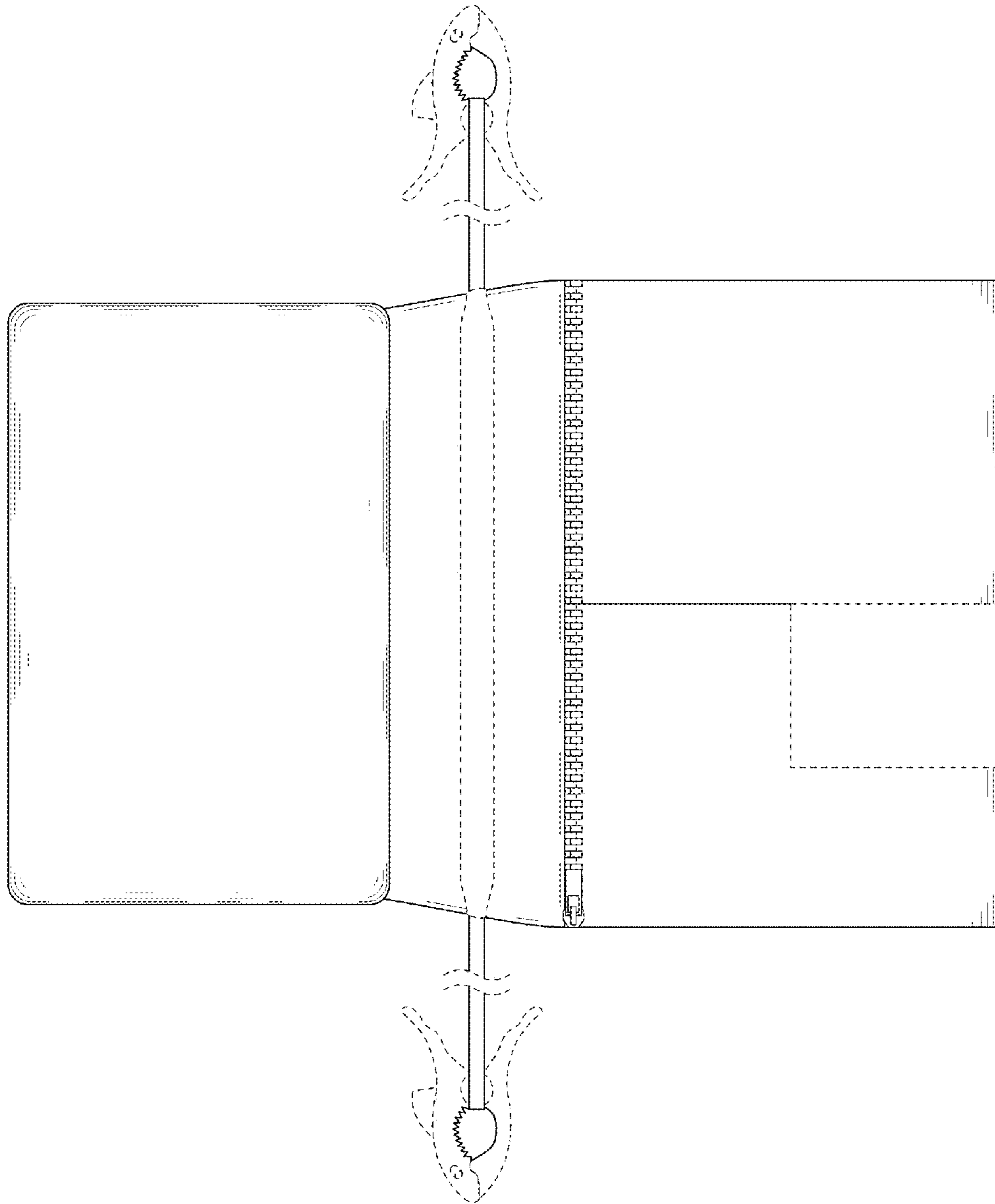


FIG. 3

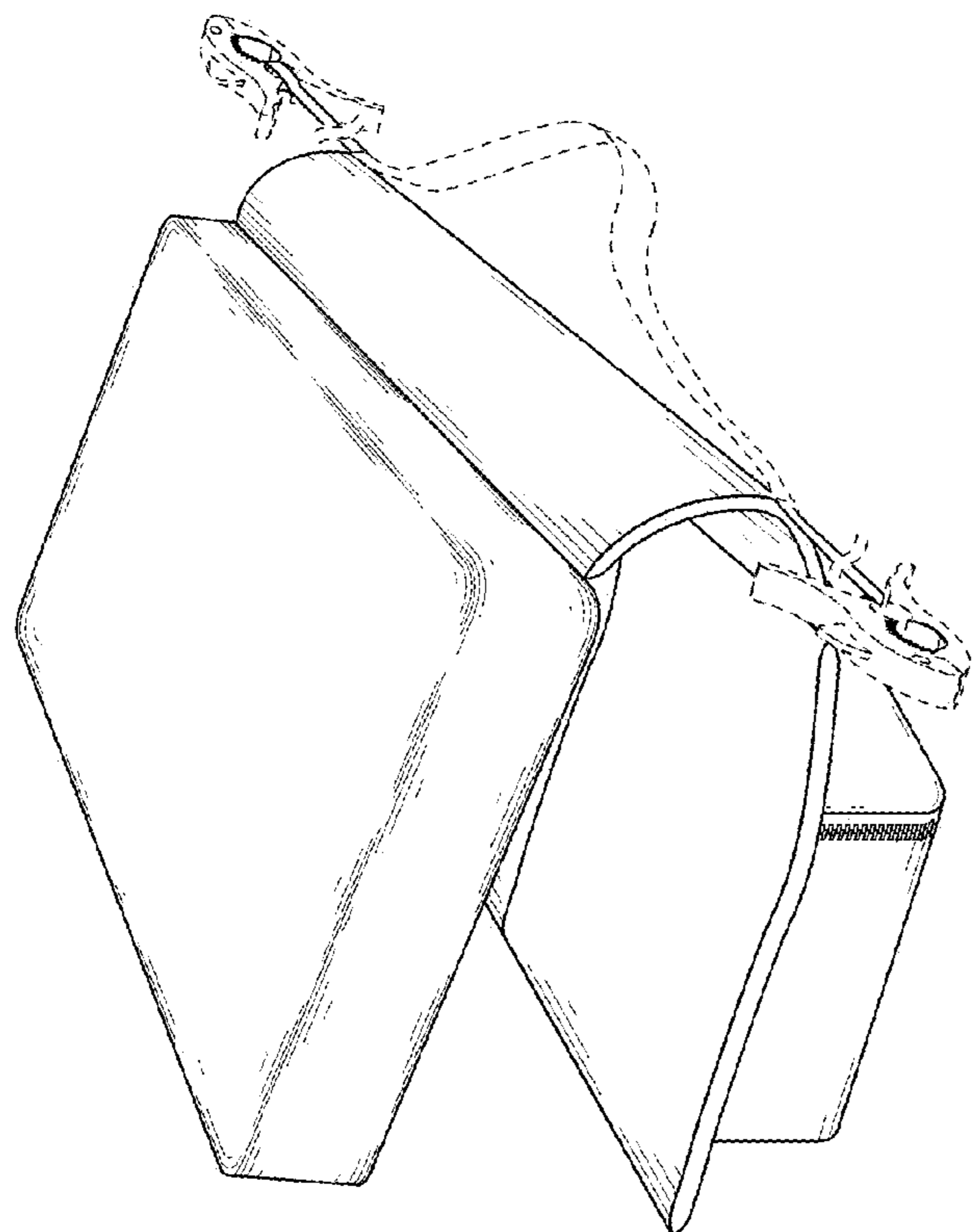
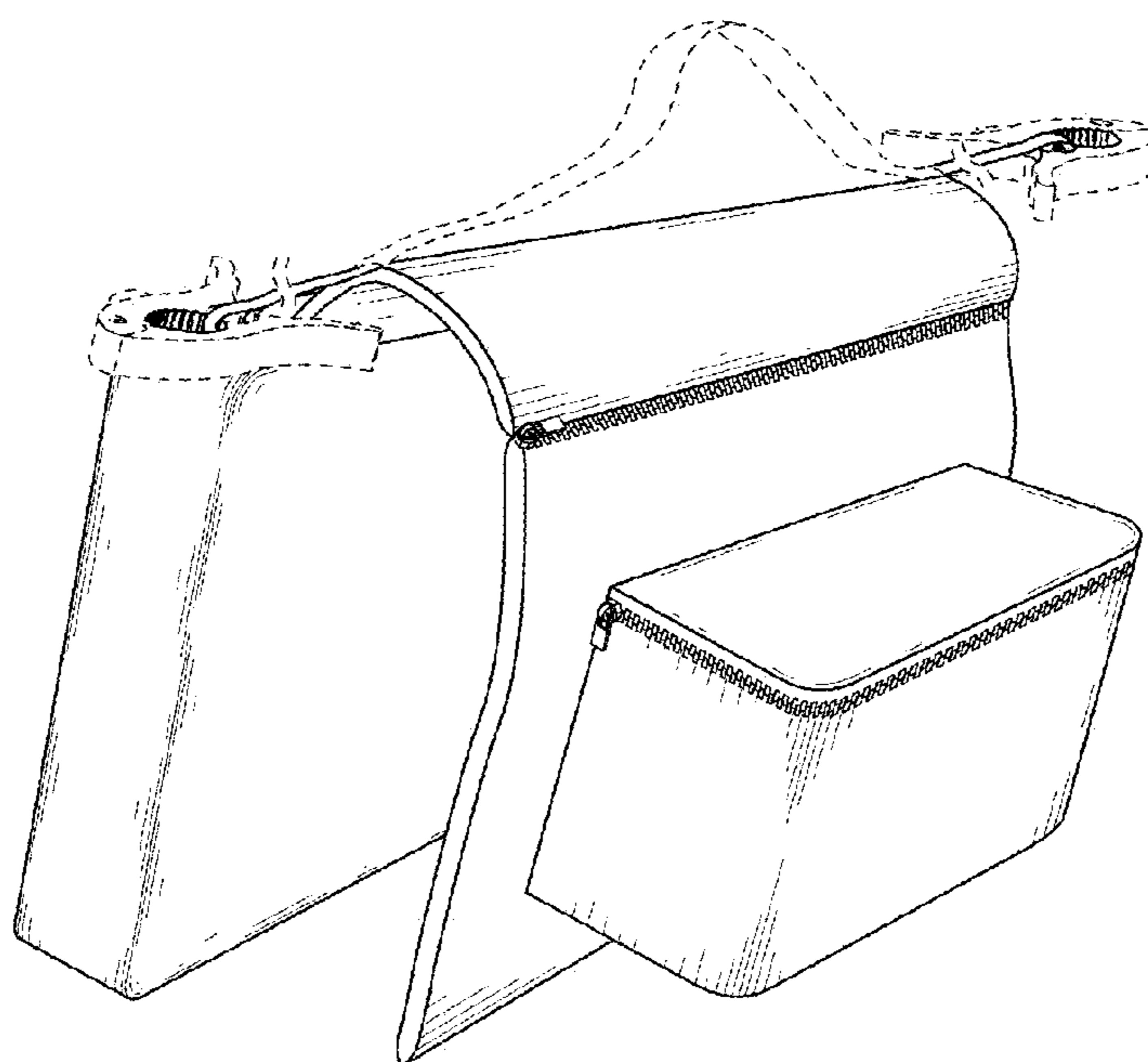


FIG. 4

FIG. 5



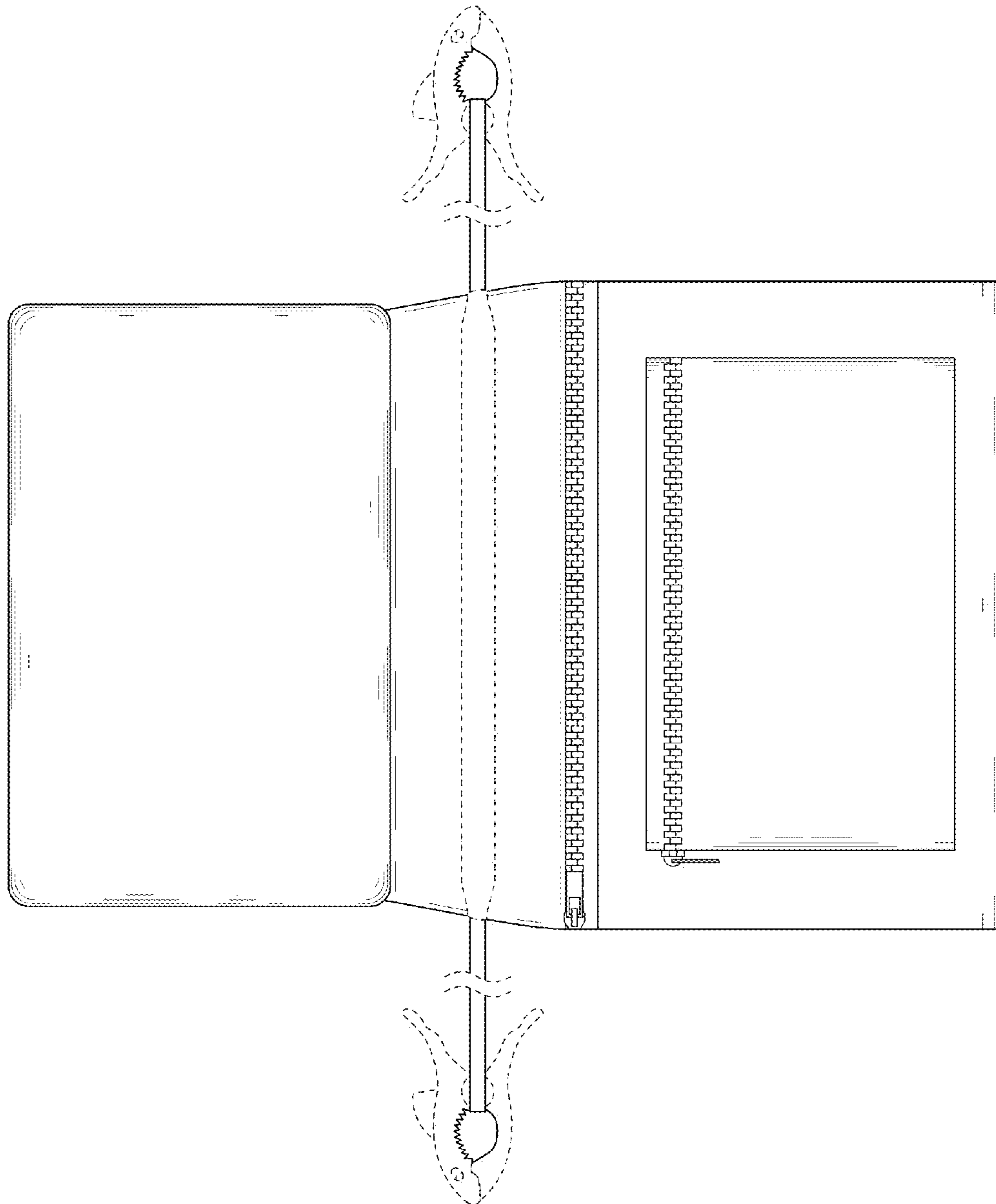


FIG. 6