



US00D730266S

(12) **United States Design Patent**
Schanz et al.

(10) **Patent No.:** **US D730,266 S**
(45) **Date of Patent:** **** May 26, 2015**

(54) **LUGGAGE CARRIER FOR CYCLES OR MOTORCYCLES**

(71) Applicant: **Touratech AG**, Niedereschach (DE)
(72) Inventors: **Jochen Schanz**, Niedereschach (DE);
Herbert Schwarz, Niedereschach (DE)
(73) Assignee: **TOURATECH AG**, Niedereschach (DE)
(**) Term: **14 Years**
(21) Appl. No.: **29/460,604**
(22) Filed: **Jul. 12, 2013**

(30) **Foreign Application Priority Data**

Jan. 14, 2013 (EP) 001357313 0001

(51) **LOC (10) Cl.** **12-16**

(52) **U.S. Cl.**
USPC **D12/407**

(58) **Field of Classification Search**

USPC D12/114, 407, 119; 224/309, 412, 422,
224/423, 424, 427, 431, 438, 558, 560, 563,
224/417, 153, 430, 142, 439, 328, 400, 413,
224/42.11, 435, 452, 418, 419, 429, 450,
224/288.4, 463, 901.4, 901.8, 457, 448,
224/447, 421, 425, 440, 441, 433, 449, 420,
224/434, 436, 445; D26/29; 424/725;
280/204, 400, 288.4, 292, 491.5, 494,
280/496, 498, 648, 47.26, 483, 492,
280/124.177; 180/206.4, 220; D6/716.4;
294/142; 383/25, 40, 97, 13, 14;
74/551.8; 220/9.1, 9.4

See application file for complete search history.

(56) **References Cited**

U.S. PATENT DOCUMENTS

5,054,800	A *	10/1991	Christensen et al.	280/204
5,090,717	A *	2/1992	Belka	280/304.5
D342,473	S *	12/1993	Konecny et al.	D12/407
5,332,134	A *	7/1994	Chen	224/422
5,340,003	A *	8/1994	Wilson	224/415
D369,138	S *	4/1996	Gotschi	D12/407
D374,422	S *	10/1996	Gogan et al.	D12/407
D374,652	S *	10/1996	Gogan et al.	D12/407
5,577,746	A *	11/1996	Britton	280/204
D376,344	S *	12/1996	Gogan et al.	D12/407
D385,846	S *	11/1997	Gogan et al.	D12/407
D386,468	S *	11/1997	Gogan et al.	D12/407
D388,394	S *	12/1997	Gogan et al.	D12/407
D405,412	S *	2/1999	Gogan et al.	D12/407

(Continued)

Primary Examiner — Robert M Spear

Assistant Examiner — Ryan Harvey

(74) *Attorney, Agent, or Firm* — Tarolli, Sundheim, Covell & Tummino LLP

(57) **CLAIM**

We claim the ornamental design for a luggage carrier for cycles or motorcycles, as shown and described.

DESCRIPTION

FIG. 1 is a perspective view of a luggage carrier for cycles or motorcycles;

FIG. 2 is a rear view of the luggage carrier of FIG. 1;

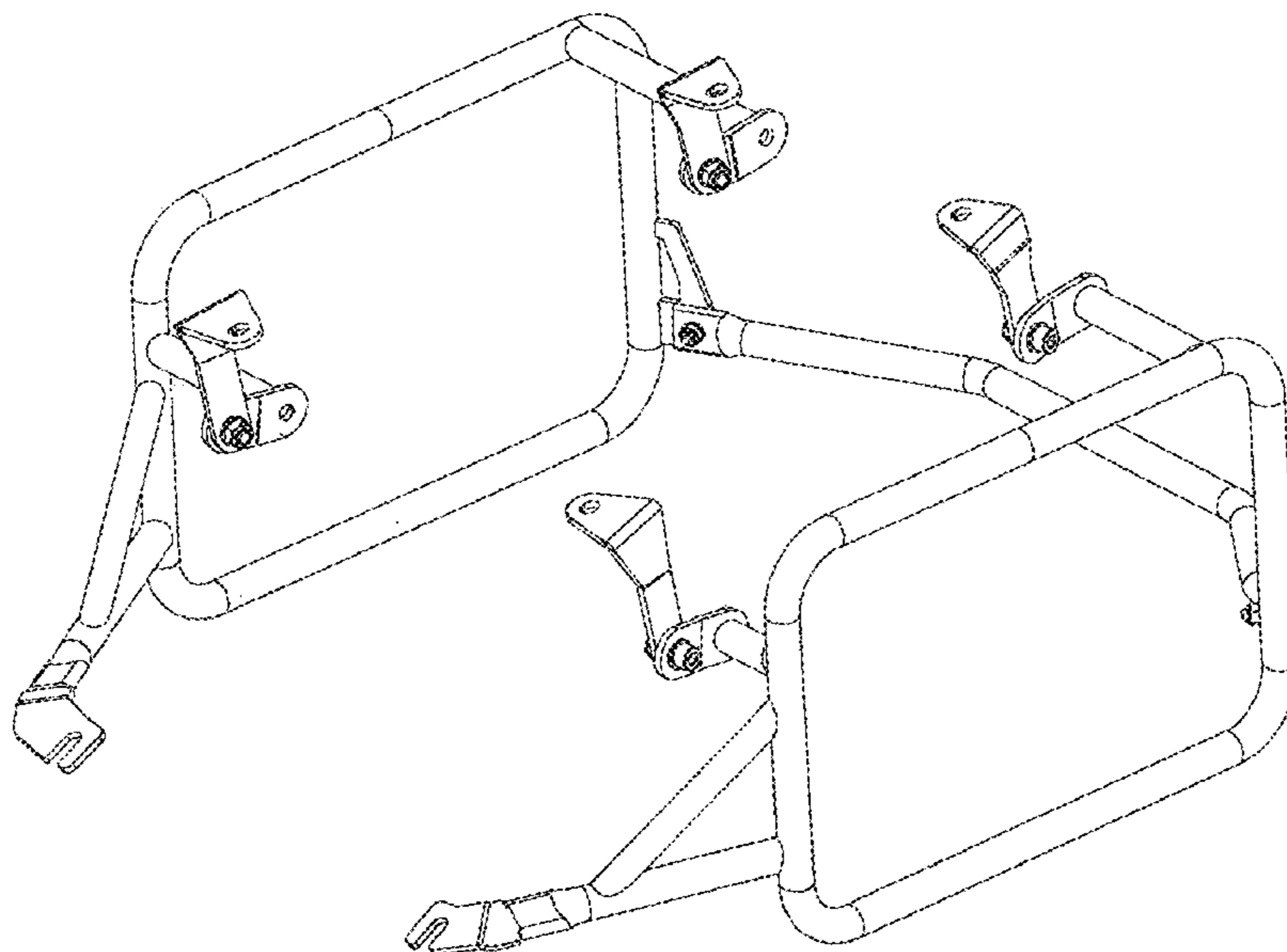
FIG. 3 is a right hand side view of the luggage carrier of FIG. 1;

FIG. 4 is a top view of the luggage carrier of FIG. 1;

FIG. 5 is a left hand side view of the luggage carrier of FIG. 1;

FIG. 6 is a bottom view of the luggage carrier of FIG. 1; and, FIG. 7 is a front view of the luggage carrier of FIG. 1.

1 Claim, 7 Drawing Sheets



(56)

References Cited

U.S. PATENT DOCUMENTS

6,092,820 A * 7/2000 Evans 280/202
6,182,990 B1 * 2/2001 Everett 280/204
6,817,501 B1 * 11/2004 Rogers et al. 224/413

2002/0163158 A1* 11/2002 Durrin 280/204
2006/0261110 A1* 11/2006 Aron 224/413
2007/0284842 A1* 12/2007 O'Donnell 280/204
2012/0145759 A1* 6/2012 Shih 224/412

* cited by examiner

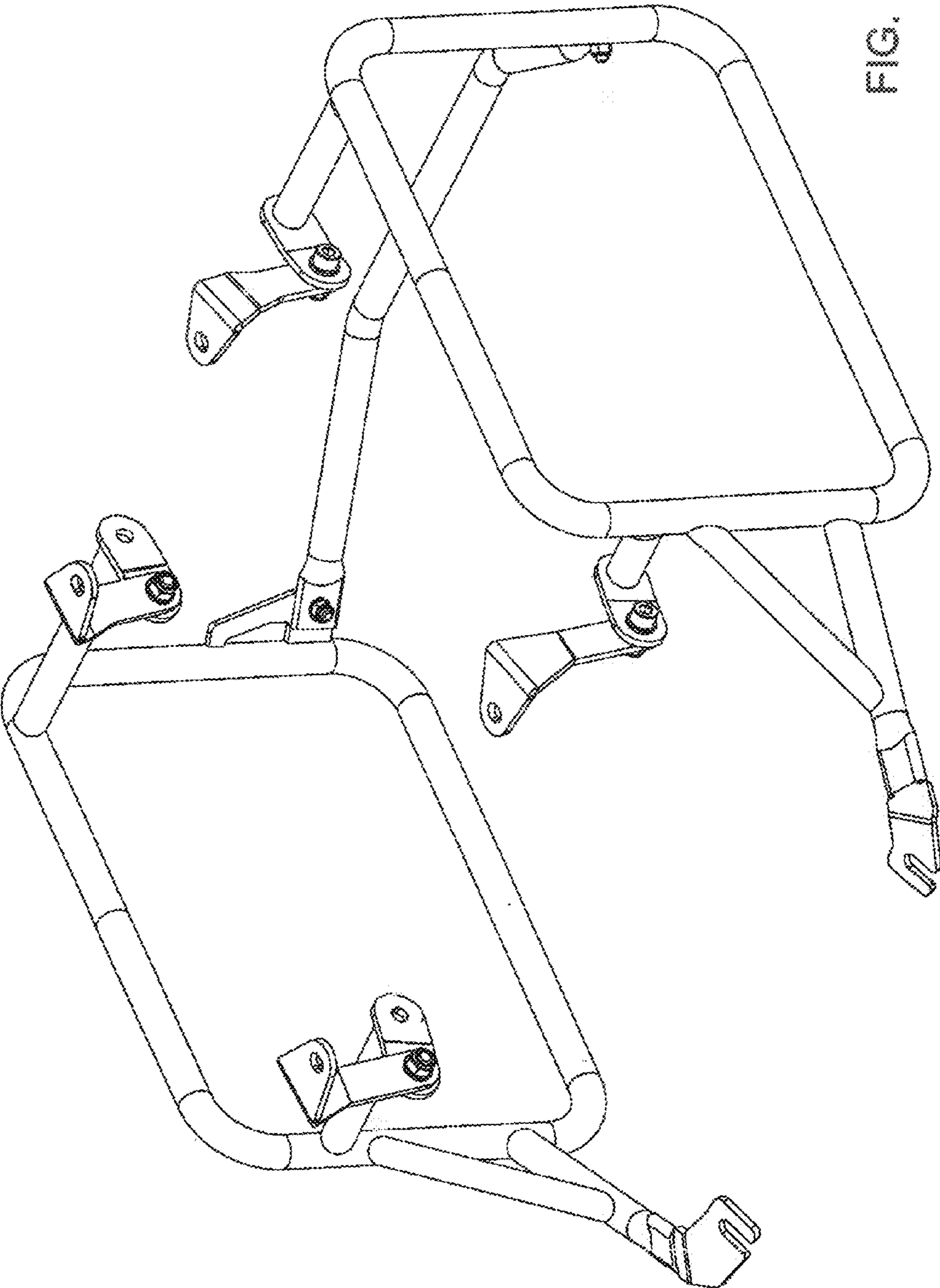


FIG. 1

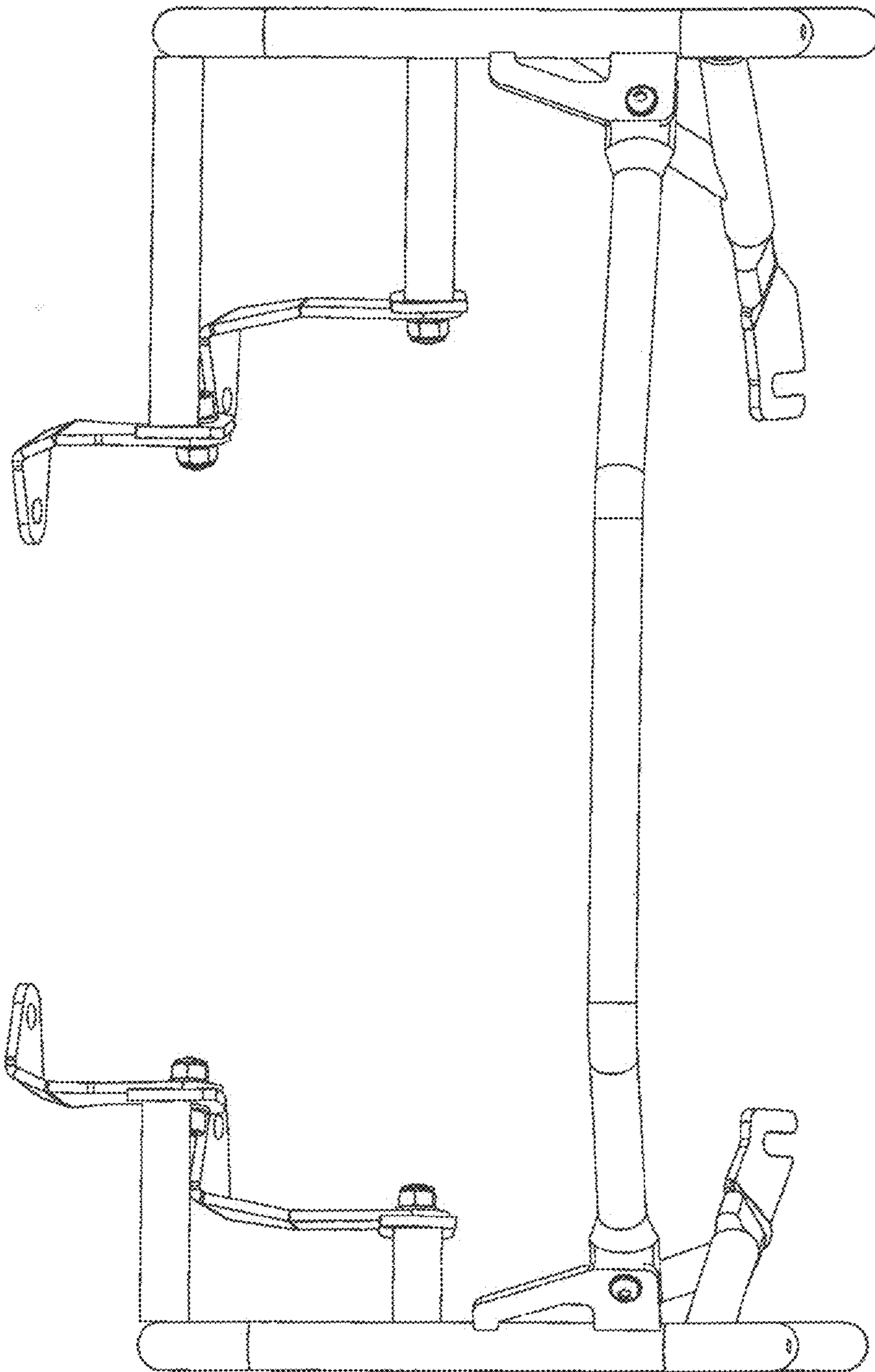


FIG. 2

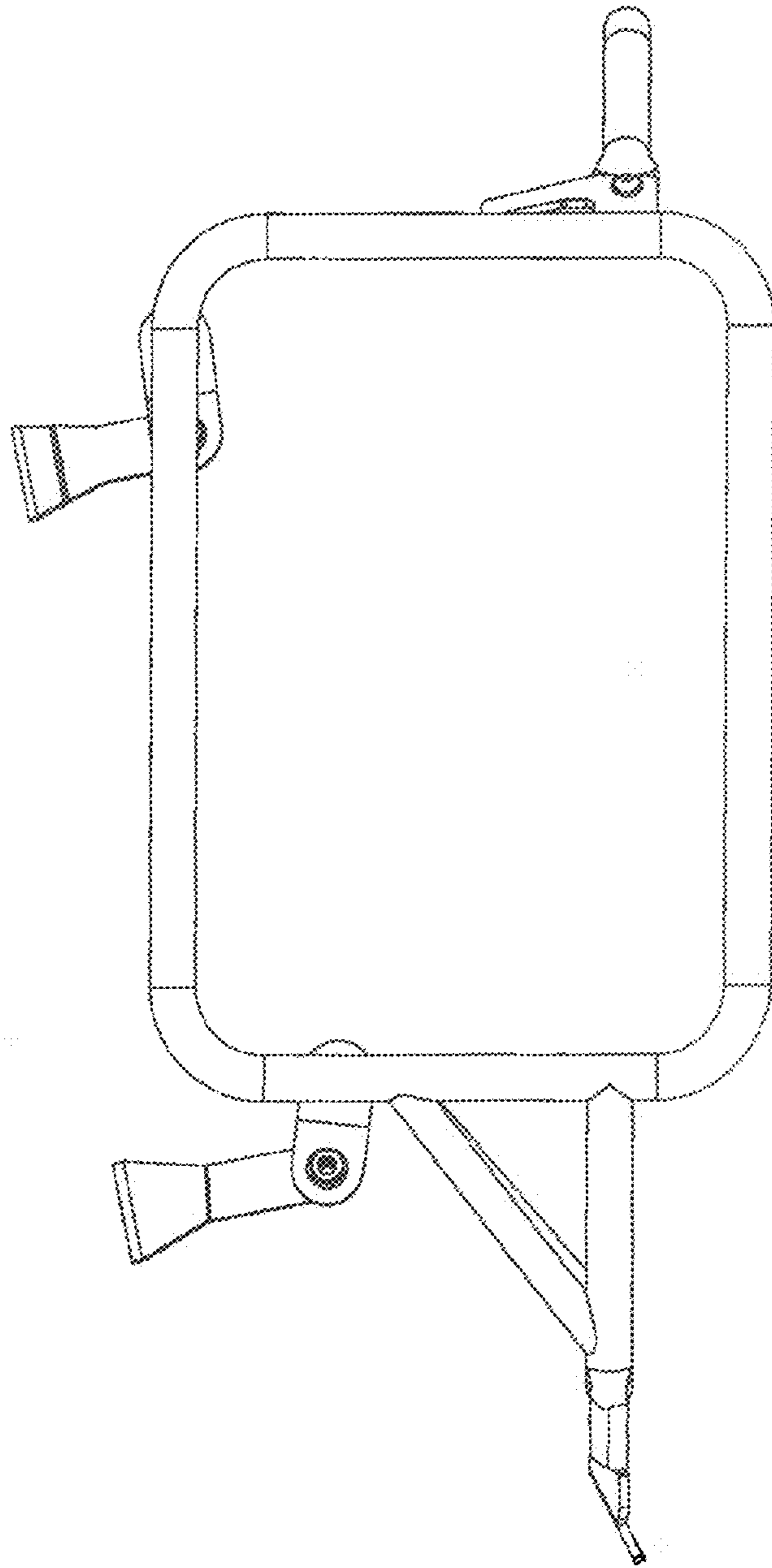


FIG. 3

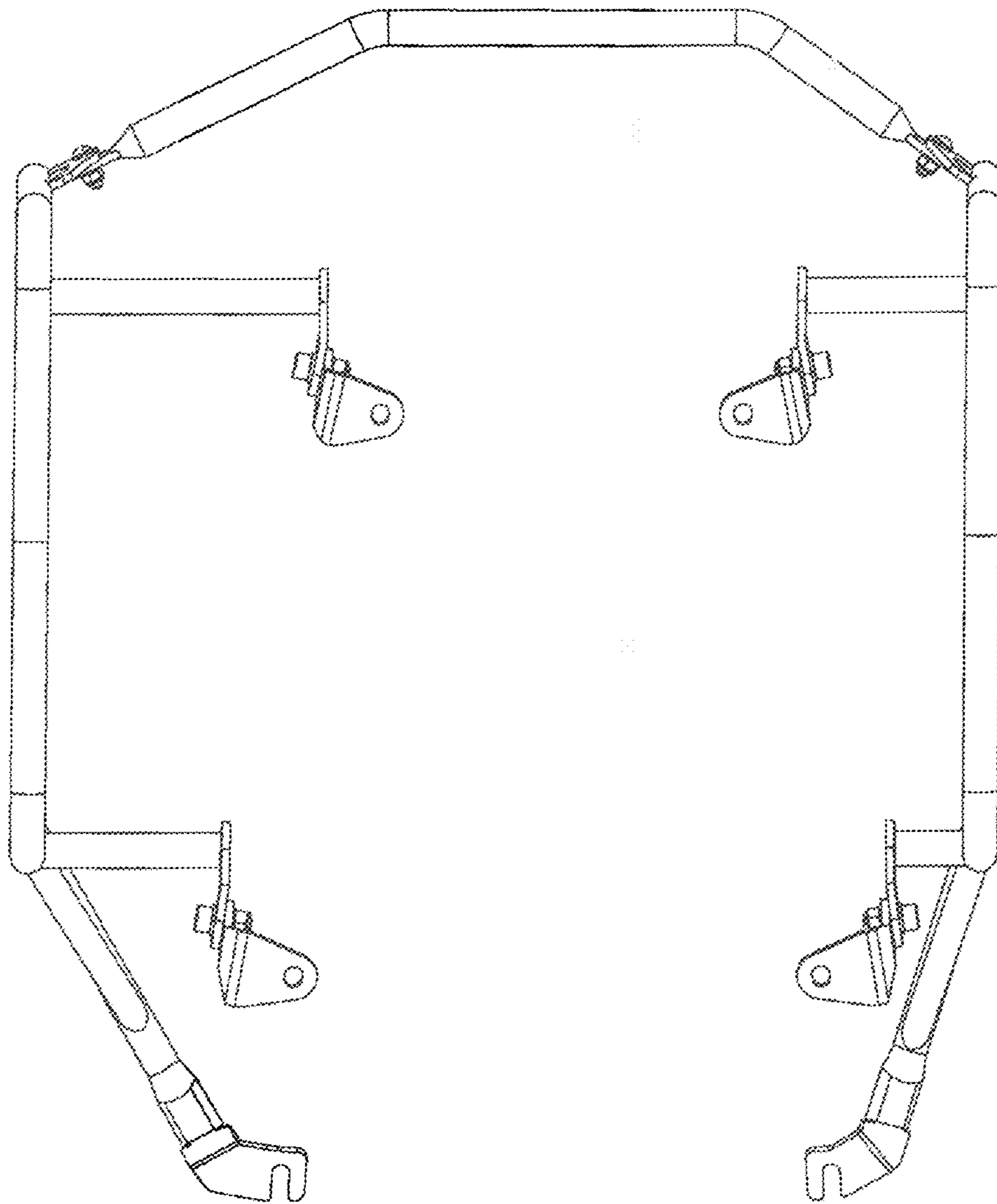


FIG. 4

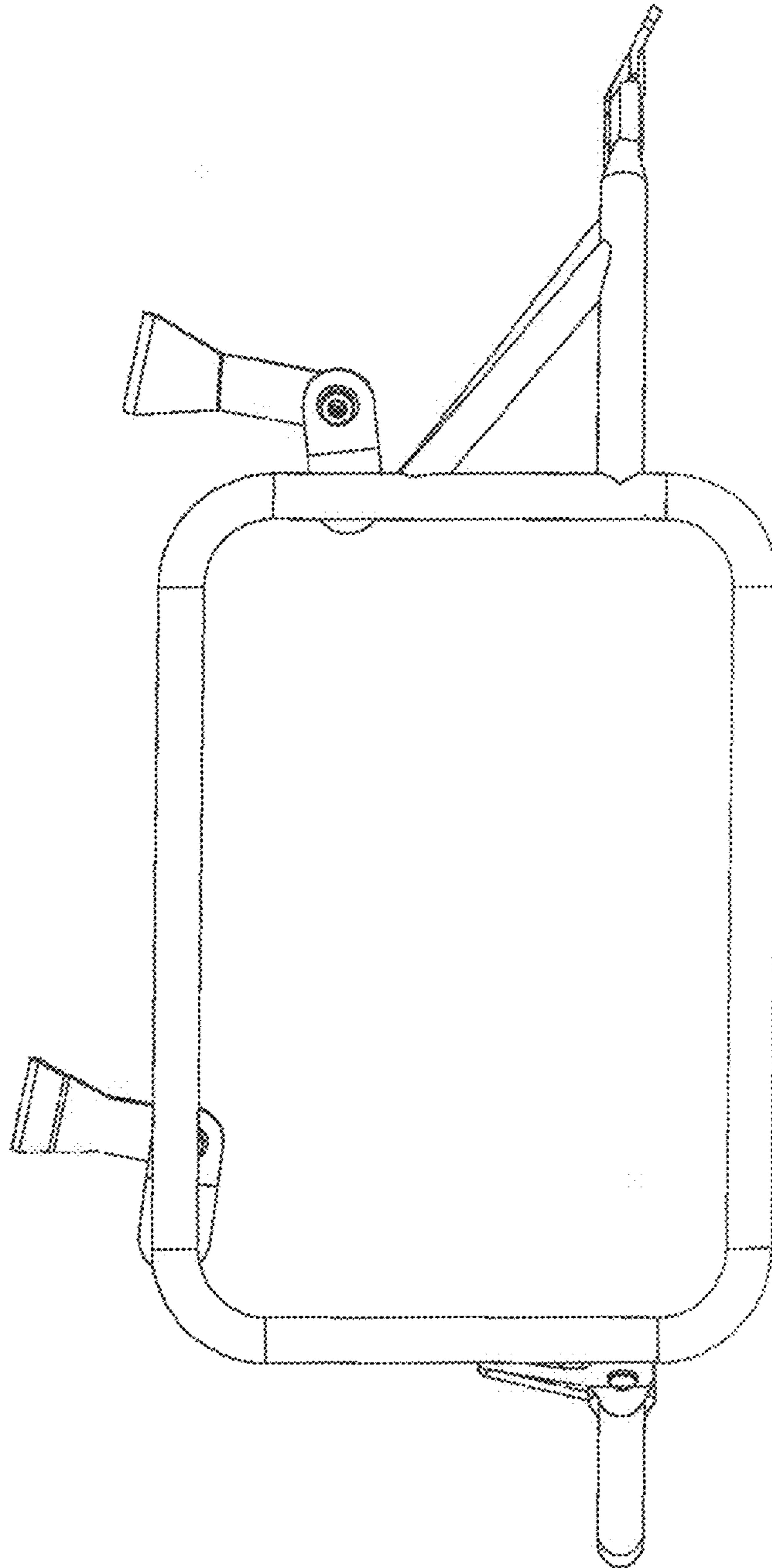


FIG. 5

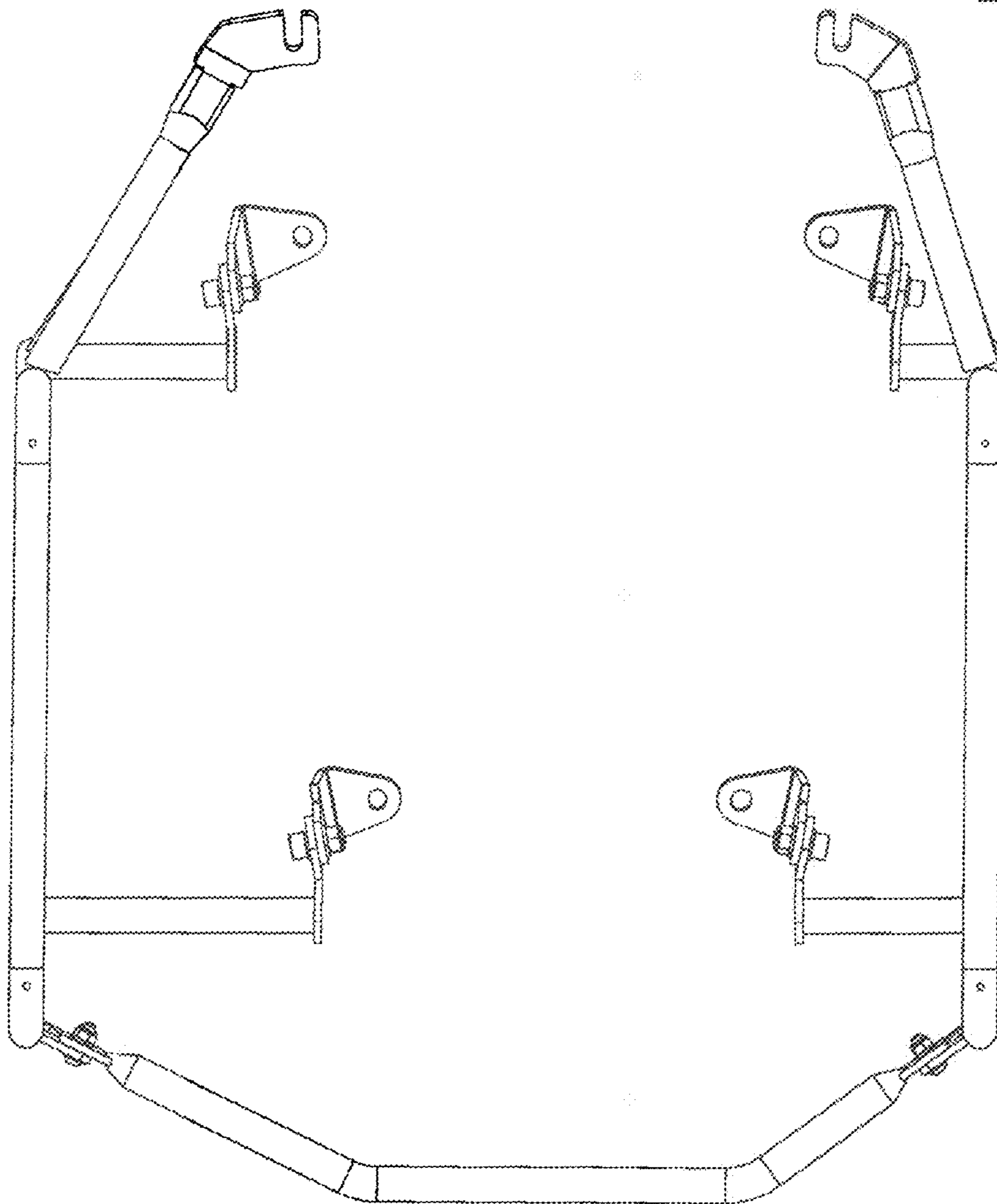


FIG. 6

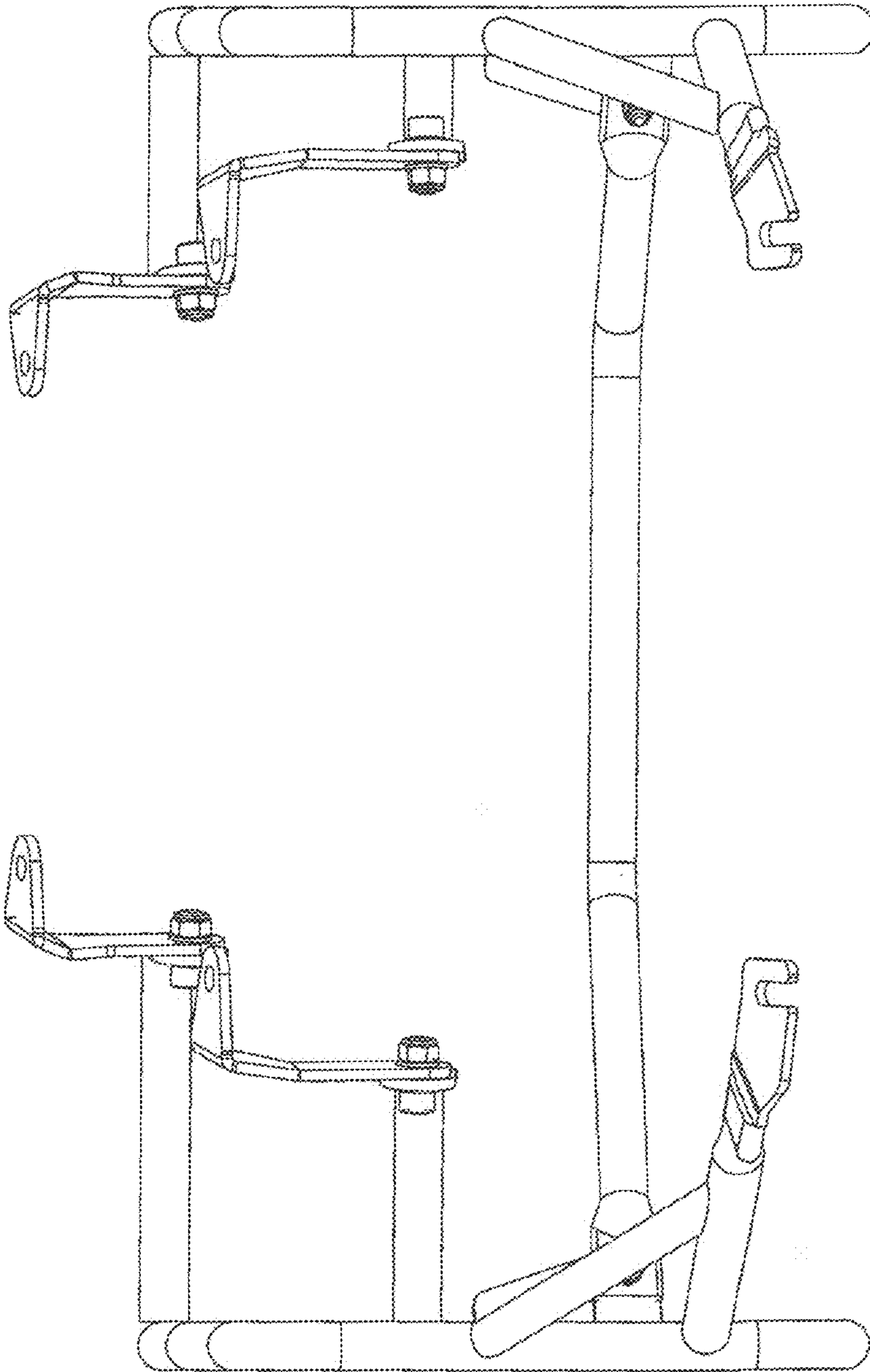


FIG. 7