



US00D730265S

(12) **United States Design Patent**
Aruga

(10) **Patent No.:** **US D730,265 S**
(45) **Date of Patent:** **** May 26, 2015**

- (54) **HANDRAIL FOR AIRCRAFT**
- (71) Applicant: **MITSUBISHI AIRCRAFT CORPORATION**, Nagoya-shi, Aichi (JP)
- (72) Inventor: **Hiroyasu Aruga**, Tokyo (JP)
- (73) Assignee: **MITSUBISHI AIRCRAFT CORPORATION**, Aichi (JP)
- (**) Term: **14 Years**
- (21) Appl. No.: **29/458,271**
- (22) Filed: **Jun. 18, 2013**
- (51) **LOC (10) Cl.** **12-07**
- (52) **U.S. Cl.**
USPC **D12/345**
- (58) **Field of Classification Search**
CPC B64C 1/00; B64C 1/20; B64C 1/22;
B64C 9/00; B64C 11/003; B60R 5/003;
B61D 37/003; Y02T 50/46; Y02T 50/48
USPC D12/42, 44, 190, 195, 406, 418, 345;
D25/119; 244/117 R, 118.1, 118.5, 118,
244/6, 119, 129.1; 362/481, 484; 296/37.1,
296/208
See application file for complete search history.

5,090,639	A *	2/1992	Miller et al.	244/118.1
5,441,326	A *	8/1995	Mikalonis	296/208
5,687,929	A *	11/1997	Hart et al.	244/118.1
5,988,565	A *	11/1999	Thomas et al.	244/118.1
6,398,163	B1 *	6/2002	Welch et al.	244/118.1
D463,357	S *	9/2002	Granzeier et al.	D12/345
7,234,666	B2 *	6/2007	Novak et al.	244/118.5
D610,521	S *	2/2010	Pirie et al.	D12/345
7,934,678	B2 *	5/2011	Wieding et al.	244/118.5
2010/0243802	A1 *	9/2010	Ehlers et al.	244/118.5
2011/0253837	A1 *	10/2011	Lee et al.	244/118.5

* cited by examiner

Primary Examiner — Martie K Holtje

(74) *Attorney, Agent, or Firm* — Birch, Stewart, Kolasch & Birch, LLP

(57) **CLAIM**

The ornamental design for a handrail for aircraft, as shown and described.

DESCRIPTION

FIG. 1 is a perspective view from the front side of a handrail for aircraft.
 FIG. 2 is a perspective view from the rear side thereof.
 FIG. 3 is a front elevation view thereof.
 FIG. 4 is a rear elevation view thereof.
 FIG. 5 is a top plan view thereof.
 FIG. 6 is a bottom plan view thereof.
 FIG. 7 is a left side elevation view thereof.
 FIG. 8 is a right side elevation view thereof; and,
 FIG. 9 is a referential view showing use thereof.
 The portions shown in broken lines in FIG. 9 are for the purpose of showing environmental structure only and form no part of the claimed design.

1 Claim, 8 Drawing Sheets

- (56) **References Cited**
U.S. PATENT DOCUMENTS
D128,507 S * 7/1941 Stewart D12/44
2,251,050 A * 7/1941 Stewart et al. 362/484
4,149,221 A * 4/1979 Eggert, Jr. 362/484
D256,229 S * 8/1980 Nichols D12/418
D281,930 S * 12/1985 Engfer et al. D12/418

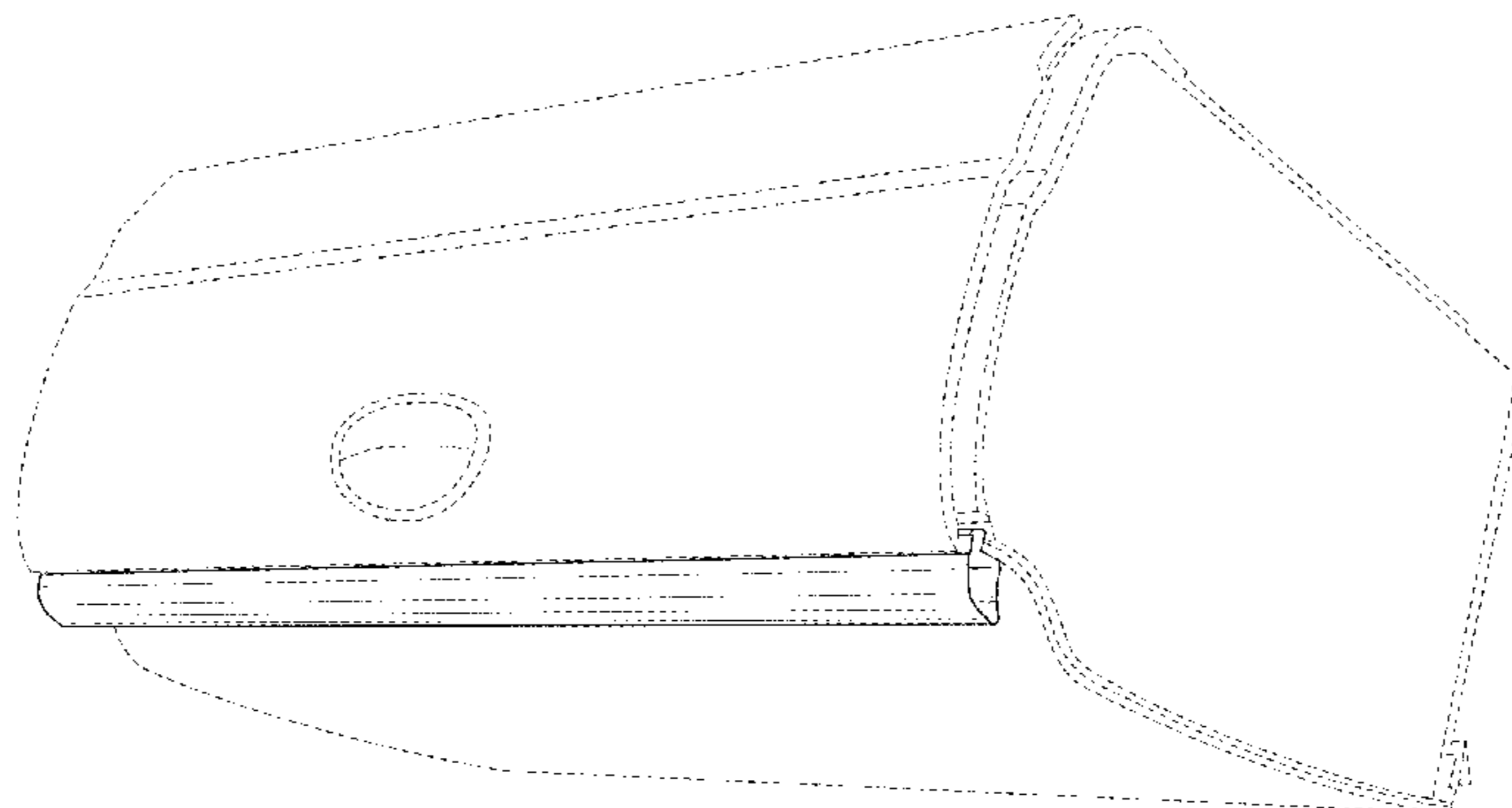
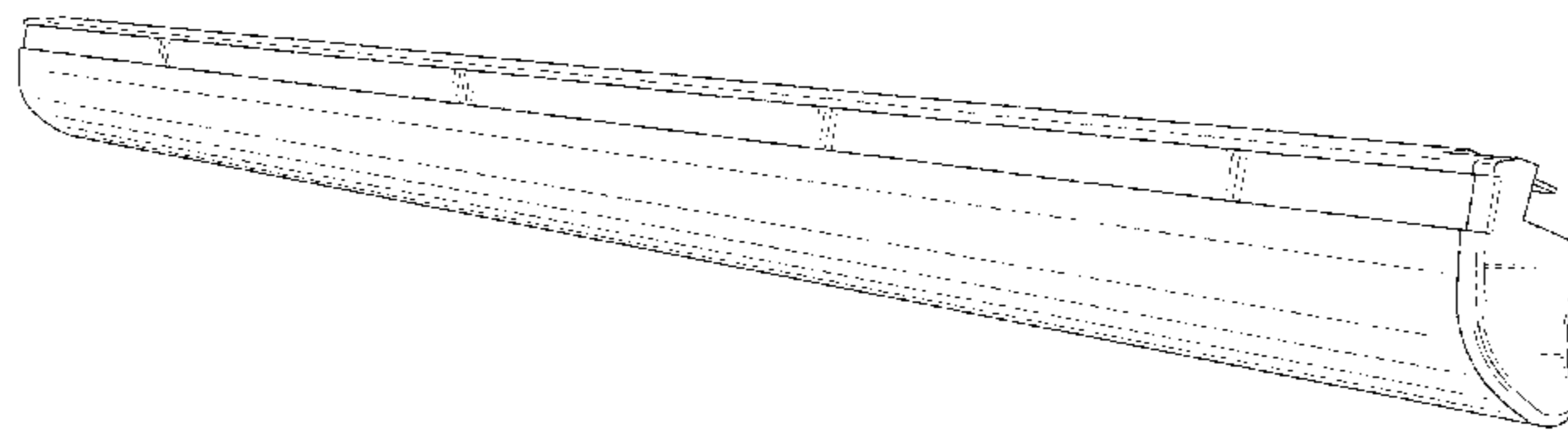


FIG. 1

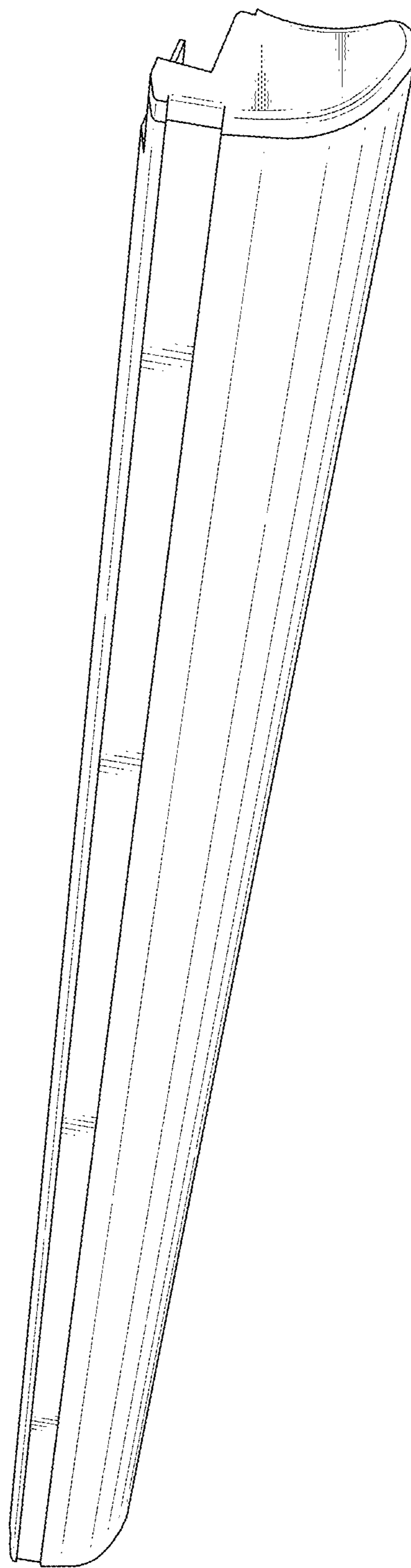


FIG. 2

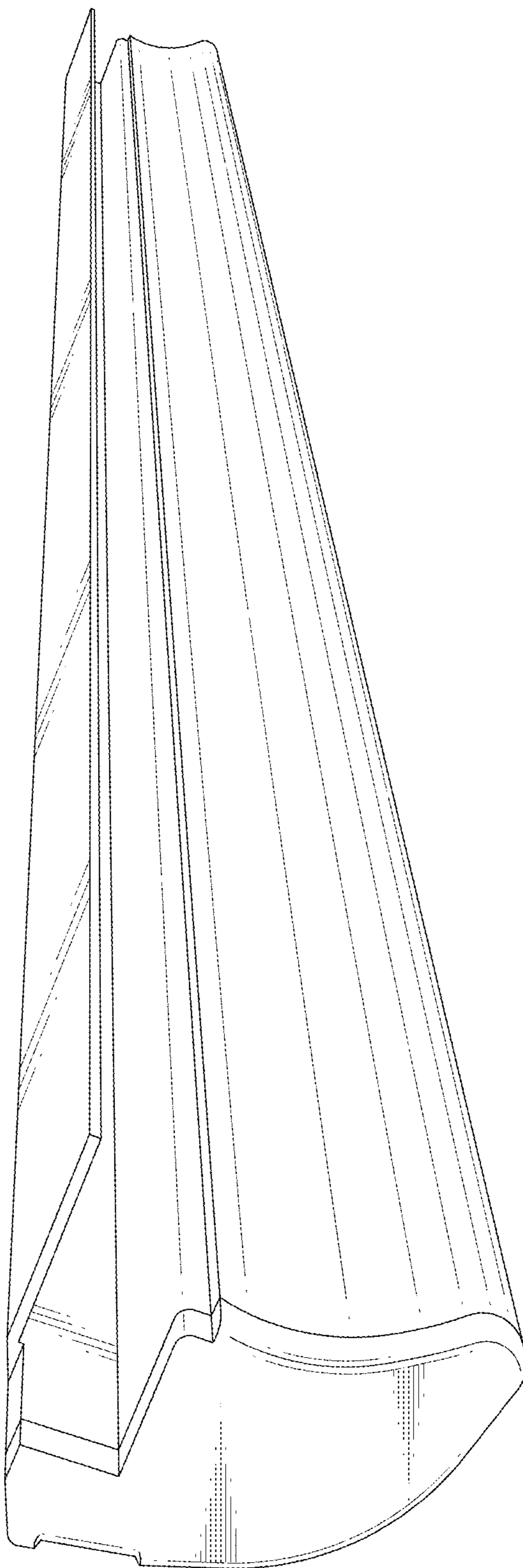


FIG. 3

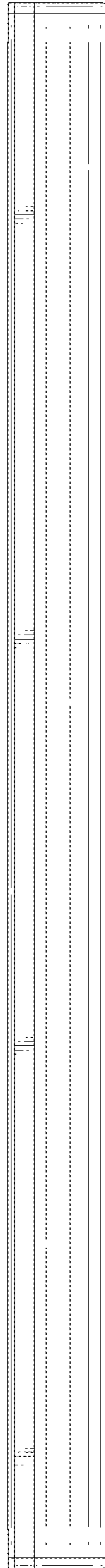


FIG. 4

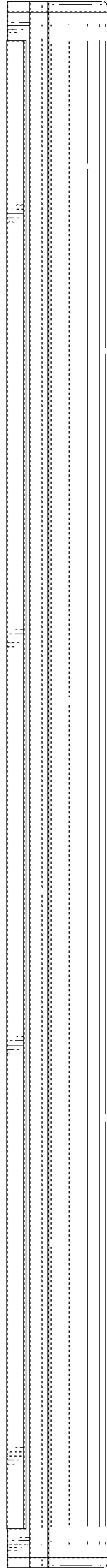


FIG. 5

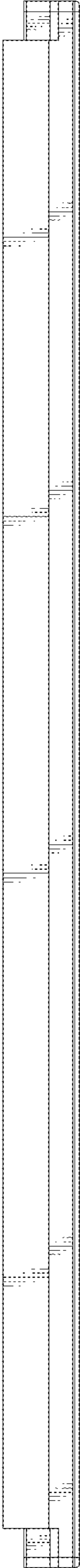


FIG. 6

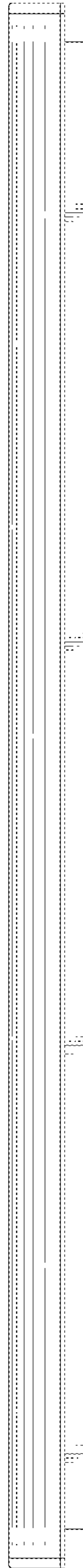


FIG. 8

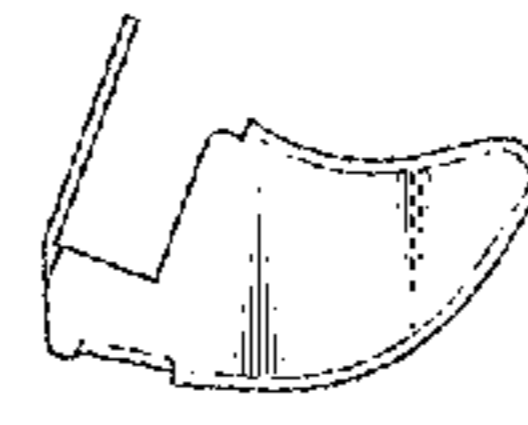


FIG. 7

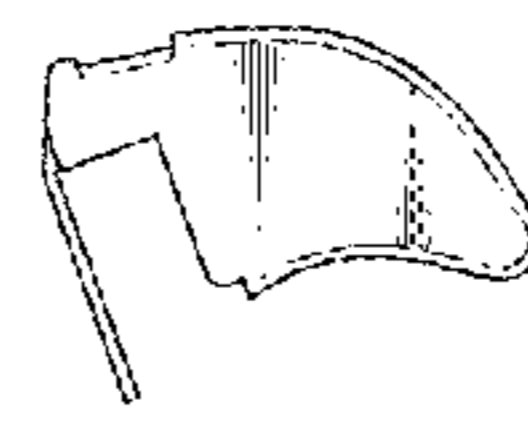


FIG. 9

