

US00D730262S

(12) **United States Design Patent**
Wagener

(10) **Patent No.:** **US D730,262 S**
(45) **Date of Patent:** **** May 26, 2015**

(54) **WHEEL OR WHEEL COVER**

(71) Applicant: **Daimler AG**, Stuttgart (DE)

(72) Inventor: **Gorden Wagener**, Gaeufelden (DE)

(73) Assignee: **Daimler AG**, Stuttgart (DE)

(**) Term: **14 Years**

(21) Appl. No.: **29/507,427**

(22) Filed: **Oct. 28, 2014**

(30) **Foreign Application Priority Data**

Apr. 29, 2014 (EM) 002454678-0001

(51) **LOC (10) CL.** **12-16**

(52) **U.S. Cl.**
USPC **D12/211**

(58) **Field of Classification Search**
CPC B60B 7/00; B60B 7/02; B60B 7/04;
B60B 7/01; B60B 7/06; B60B 3/02; B60B
3/04; B60B 3/06; B60B 3/10; B60B 1/00;
B60B 1/08; B60B 1/10; B60B 1/12
USPC D12/204-213
See application file for complete search history.

(56) **References Cited**

U.S. PATENT DOCUMENTS

D451,467 S * 12/2001 Chung D12/211
D570,275 S * 6/2008 Laengerer D12/211

D593,020 S * 5/2009 Blasi D12/211
D626,489 S * 11/2010 Laengerer D12/211
D637,947 S * 5/2011 Zhao D12/211
D655,235 S * 3/2012 Zhao D12/211
D663,673 S * 7/2012 Platto et al. D12/211
D674,331 S * 1/2013 Feuerherdt D12/211
D681,541 S * 5/2013 Kern D12/211
D682,769 S * 5/2013 Zhao D12/211
D691,080 S * 10/2013 Stucki D12/211
D695,196 S * 12/2013 Zane D12/211
D697,013 S * 1/2014 Nemeth D12/211
D707,609 S * 6/2014 Curtis D12/211
D717,710 S * 11/2014 Chung D12/211
D720,275 S * 12/2014 Szavits D12/211

* cited by examiner

Primary Examiner — Stacia Cadmus

(74) *Attorney, Agent, or Firm* — Crowell & Moring LLP

(57) **CLAIM**

The ornamental design for a wheel or wheel cover, as shown and described.

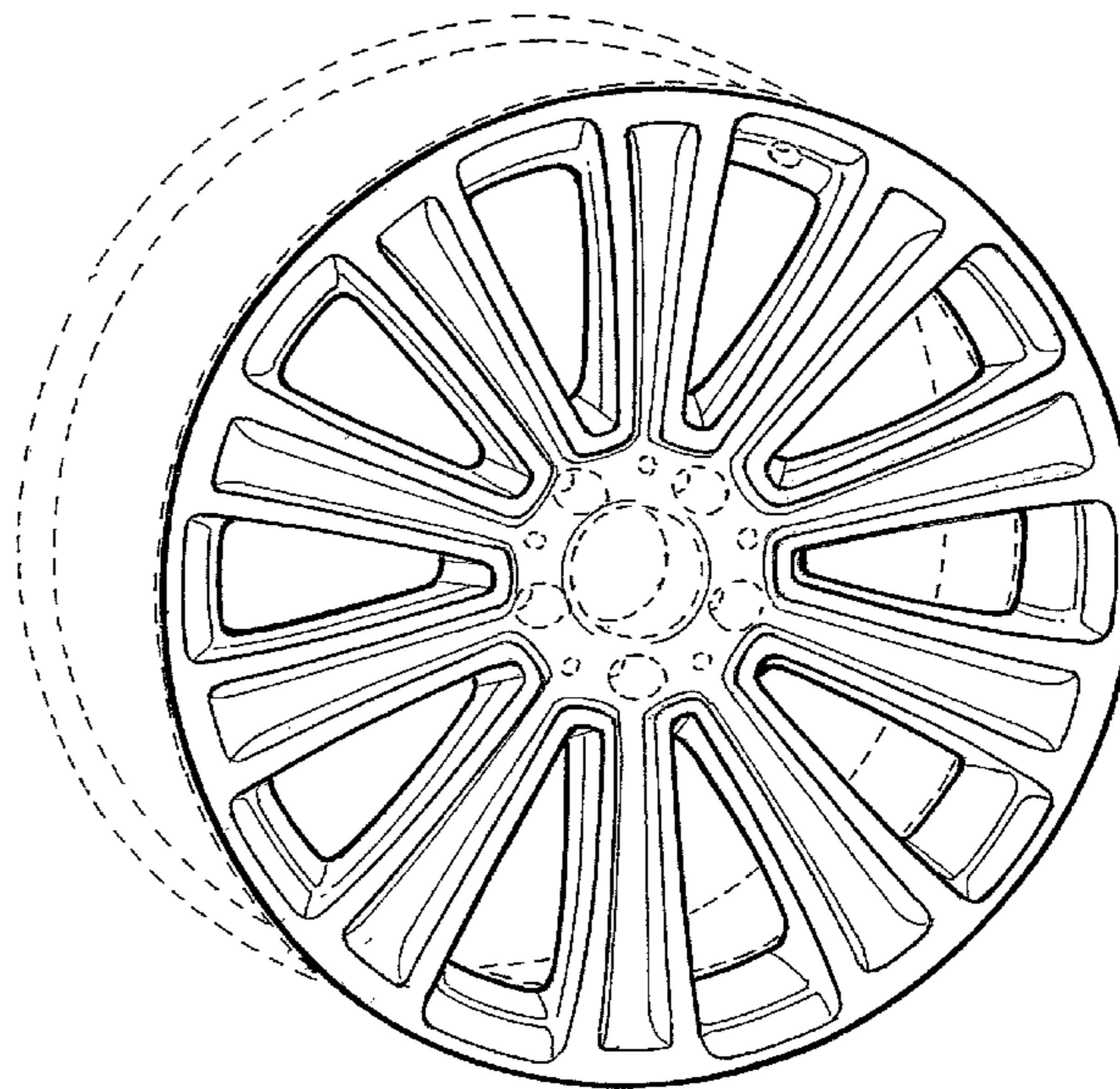
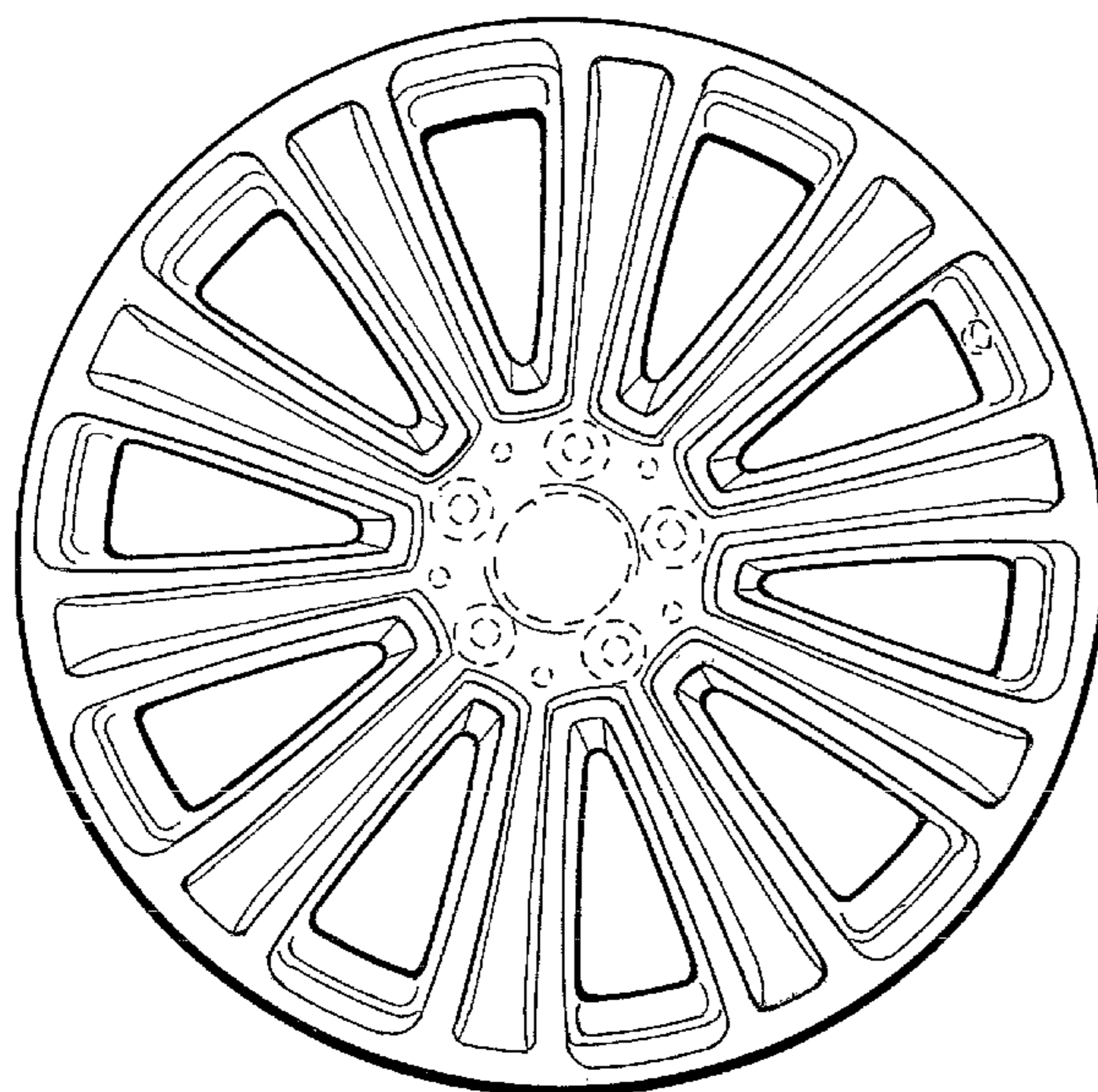
DESCRIPTION

FIG. 1 is a front view of a wheel or wheel cover according to the design; and,

FIG. 2 is a perspective view thereof.

The broken line showing of the rear of the wheel, the valve stem hole, and the bolt holes and center hole in the central hub area is included for the purpose of illustrating environment and forms no part of the claimed design.

1 Claim, 1 Drawing Sheet



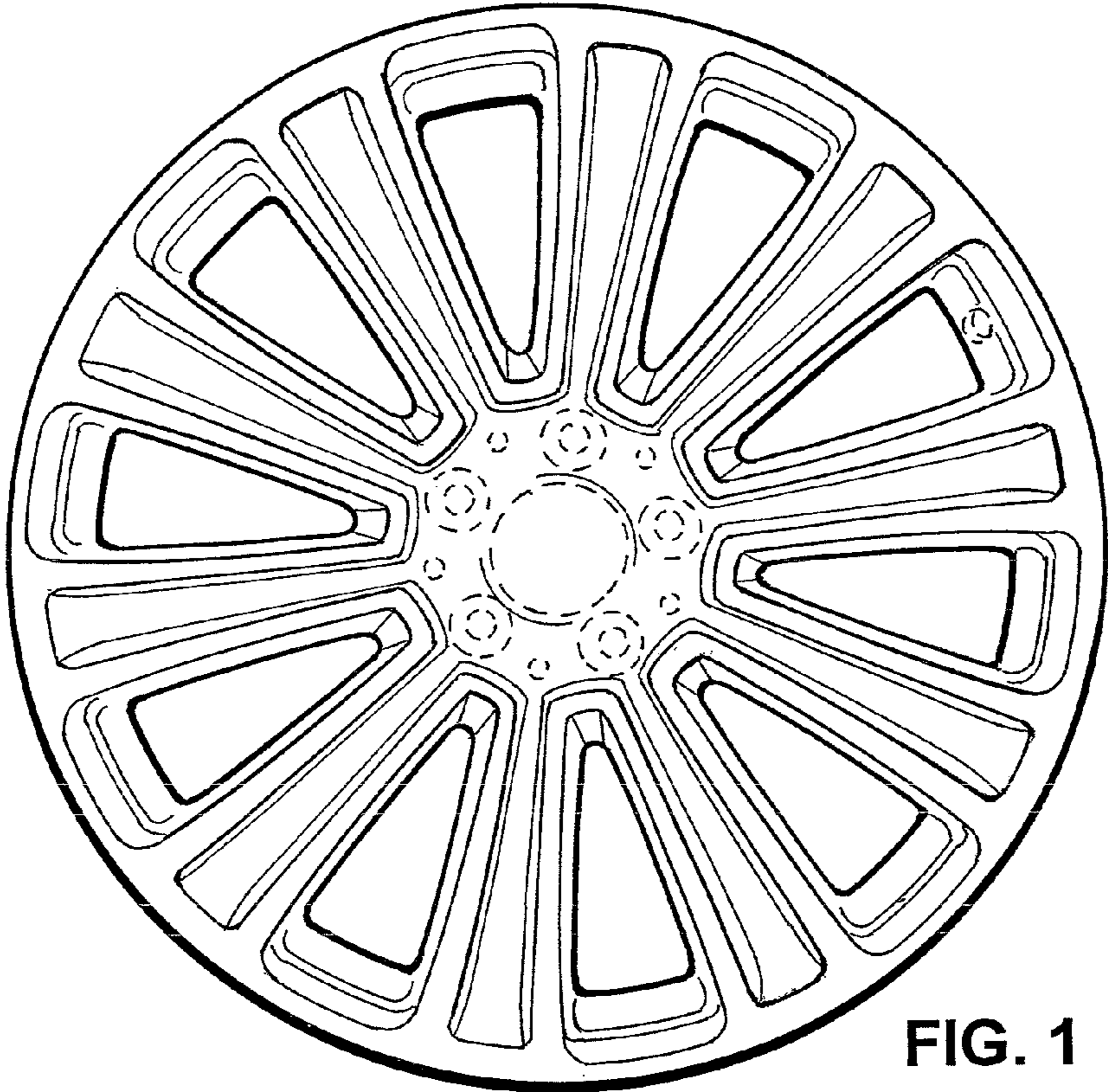


FIG. 1

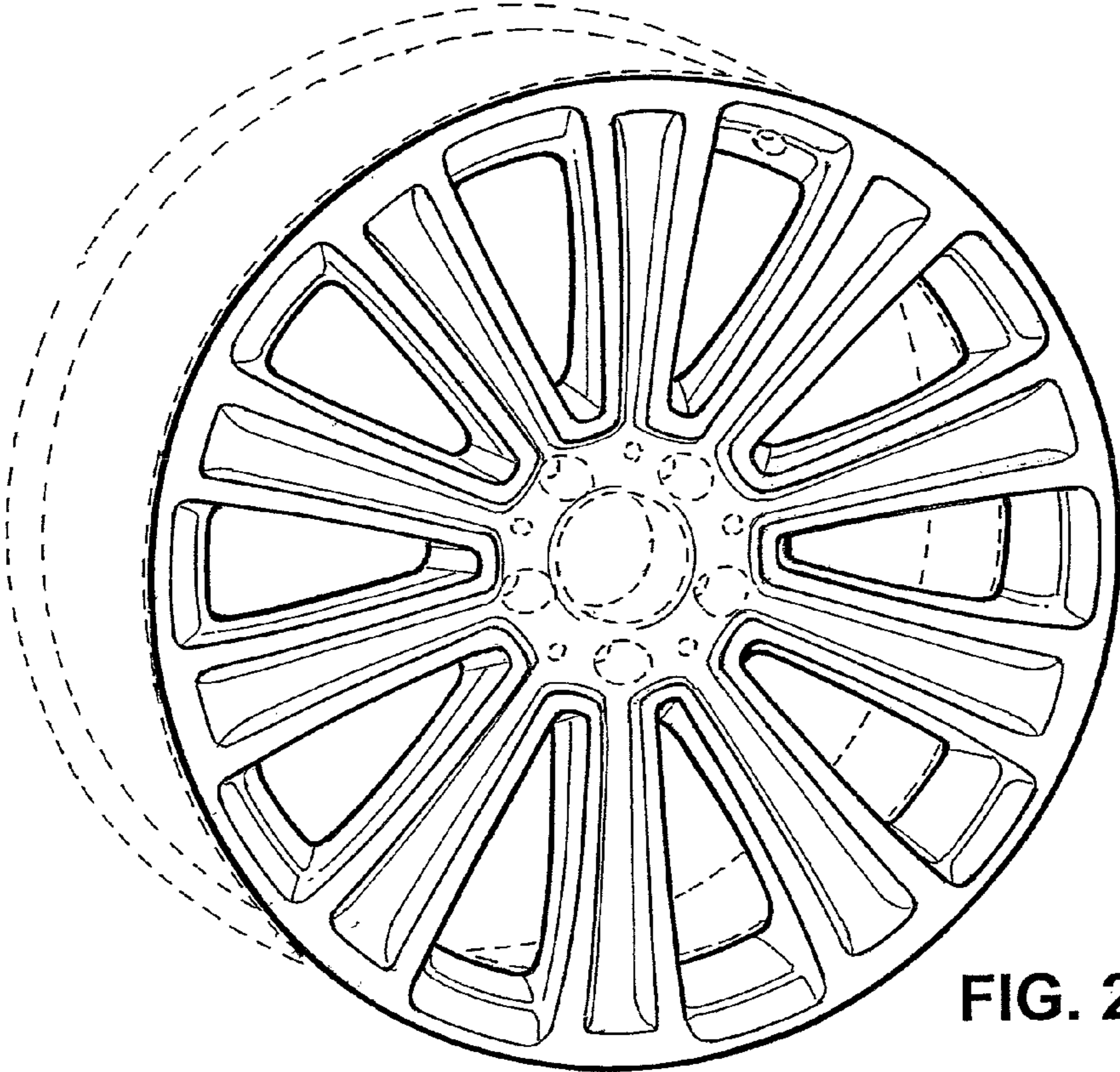


FIG. 2