



US00D730259S

(12) **United States Design Patent**
Aydin

(10) **Patent No.:** **US D730,259 S**
(45) **Date of Patent:** **** May 26, 2015**

(54) **VEHICLE WHEEL**

(76) Inventor: **Ararat Eric Aydin**, Porter Ranch, CA
(US)

(**) Term: **14 Years**

(21) Appl. No.: **29/421,262**

(22) Filed: **Jun. 21, 2012**

(51) **LOC (10) Cl.** **12-16**

(52) **U.S. Cl.**
USPC **D12/208**

(58) **Field of Classification Search**

CPC B60B 7/00; B60B 7/02; B60B 7/04;
B60B 7/01; B60B 7/06; B60B 1/00; B60B
1/08; B60B 1/10; B60B 1/12; B60B 3/02;
B60B 3/04; B60B 3/06; B60B 3/10
USPC D12/204-213; 301/95.101, 64.101,
301/64.102; 29/527.6

See application file for complete search history.

(56) **References Cited**

U.S. PATENT DOCUMENTS

D336,743 S *	6/1993	Cattaneo	D12/211
D389,446 S *	1/1998	Bradley	D12/208
D398,894 S *	9/1998	Kelley	D12/208
D402,612 S *	12/1998	Nishida	D12/209
D433,369 S *	11/2000	Chung	D12/208
6,234,581 B1 *	5/2001	Stach	301/64.102
D451,457 S *	12/2001	Hale, Jr.	D12/208
D578,946 S *	10/2008	Tirado	D12/208

D589,862 S *	4/2009	Cappellotto	D12/208
8,046,900 B2 *	11/2011	Afeltra	29/527.6
2009/0273227 A1 *	11/2009	Tirado	301/95.101
2011/0140507 A1 *	6/2011	Anca et al.	301/64.101

* cited by examiner

Primary Examiner — Stacia Cadmus

(74) *Attorney, Agent, or Firm* — Law Office of Vernon R. Yancy; Vernon R. Yancy

(57) **CLAIM**

The ornamental design for a vehicle wheel, as shown and described.

DESCRIPTION

FIG. 1 is a perspective view of the vehicle wheel showing my design;
FIG. 2 illustrates a front elevational view of the vehicle wheel of FIG. 1;
FIG. 3 is a side elevational view of the vehicle wheel of FIG. 1;
FIG. 4 is a rear elevational view of the vehicle wheel of FIG. 1;
FIG. 5 is a cross-sectional view taken along the lines of 5-5 of FIG. 4; and,
FIG. 6 is a cross-sectional view taken along the lines of 6-6 of FIG. 2.

The broken line showing of environment is for illustrative purpose only and forms no part of the claimed design.
The wheel of the present invention is characterized by a rear, inner surface lip-extension.

1 Claim, 5 Drawing Sheets

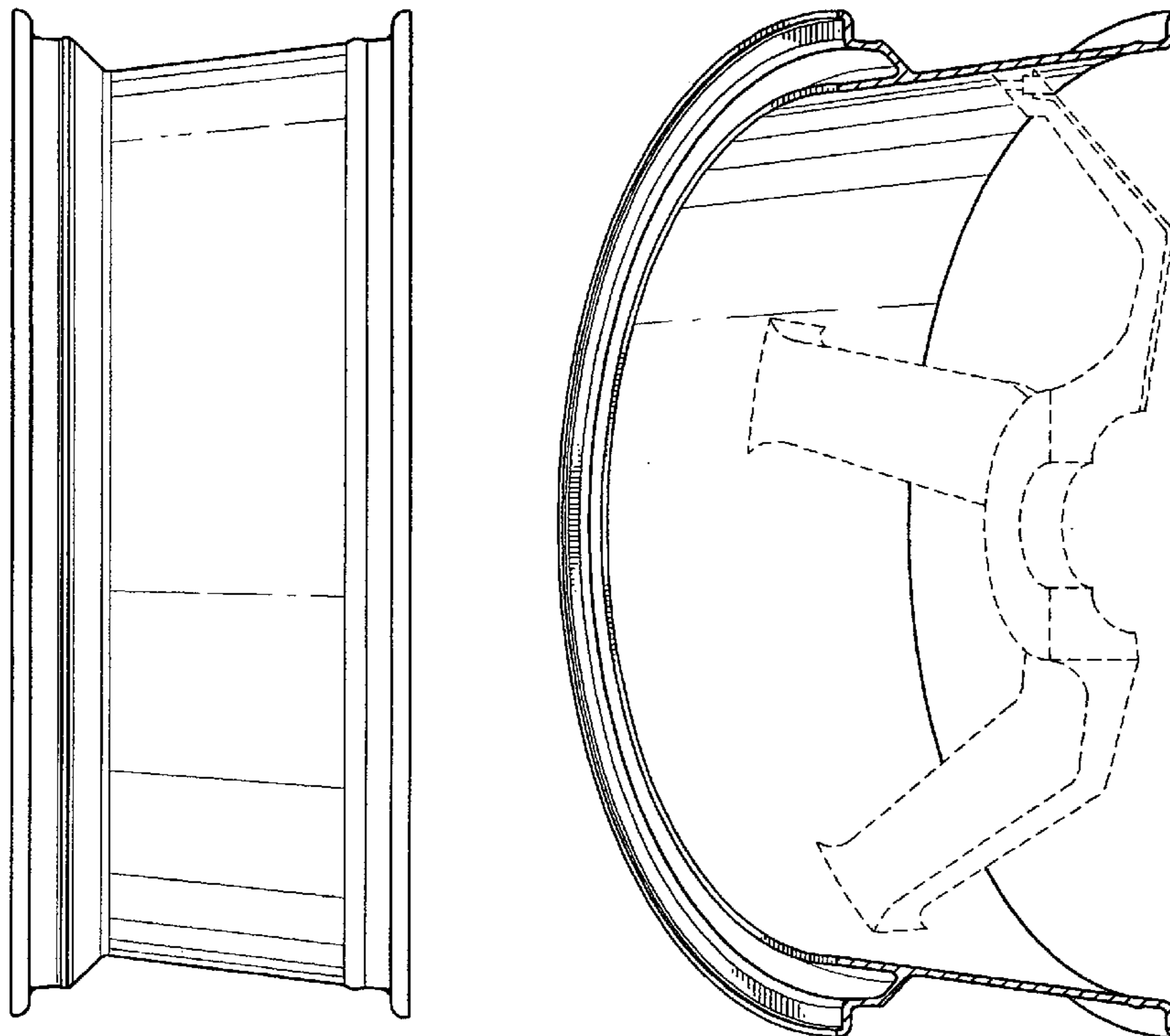


FIG. 1

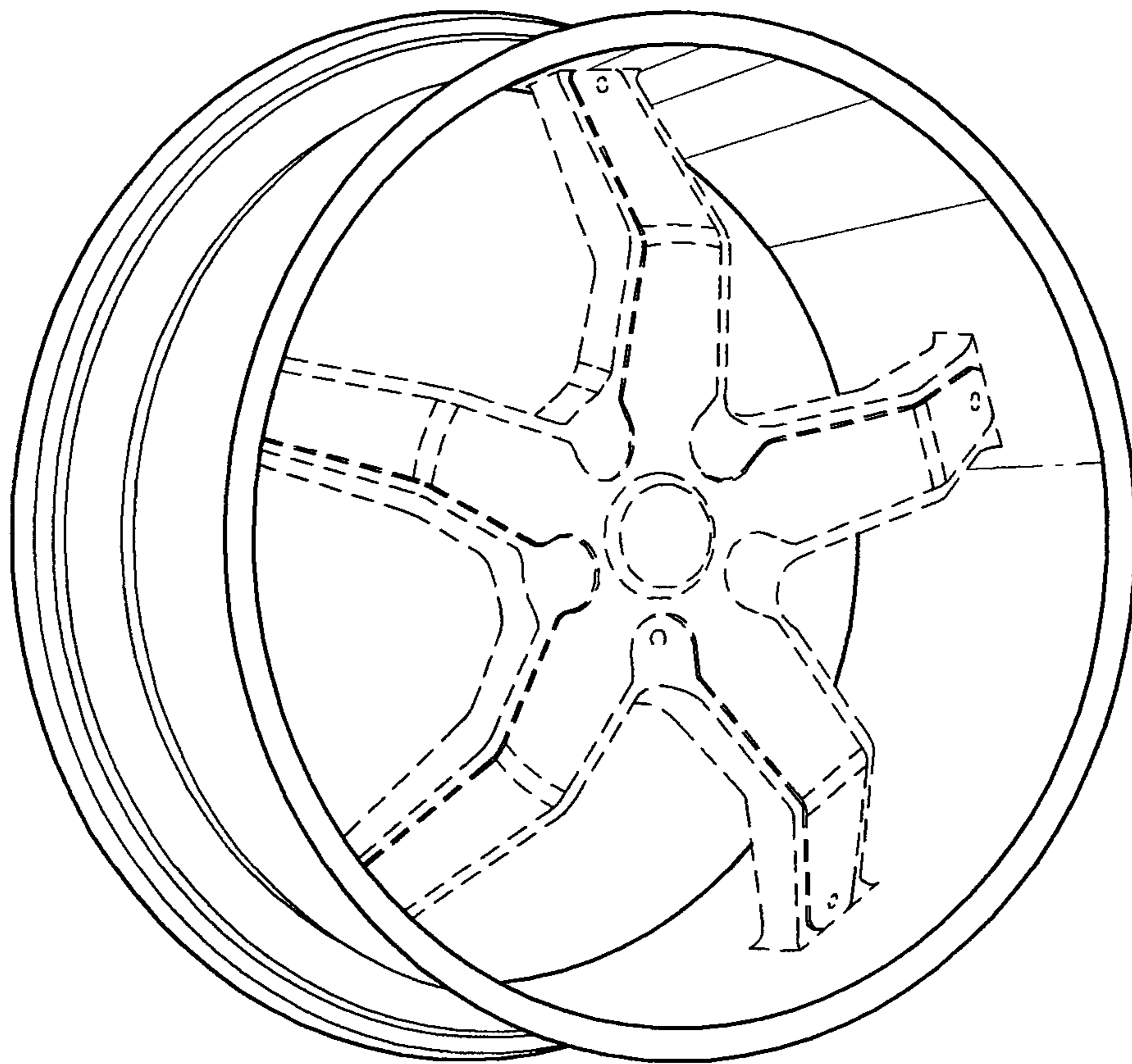
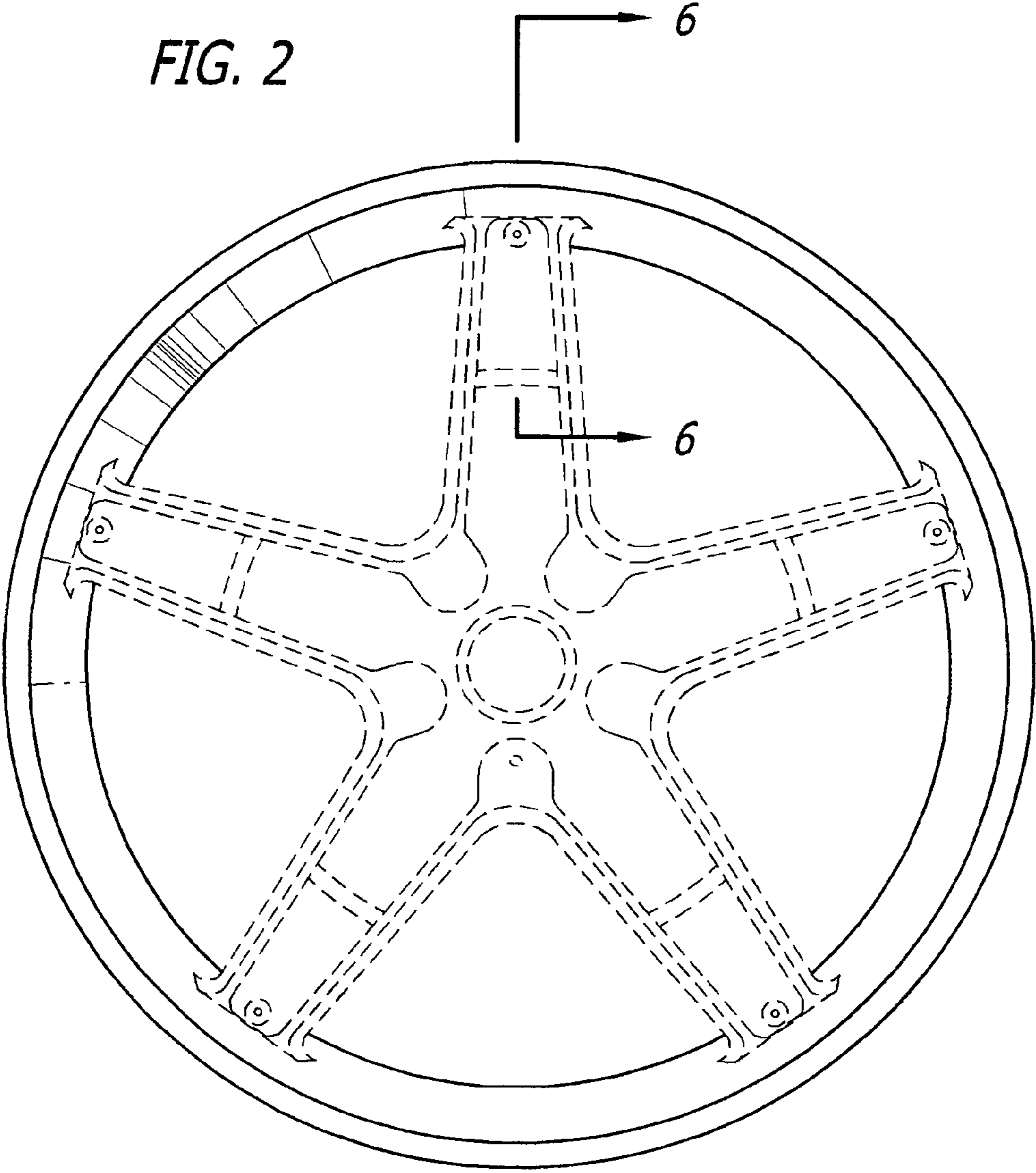


FIG. 2



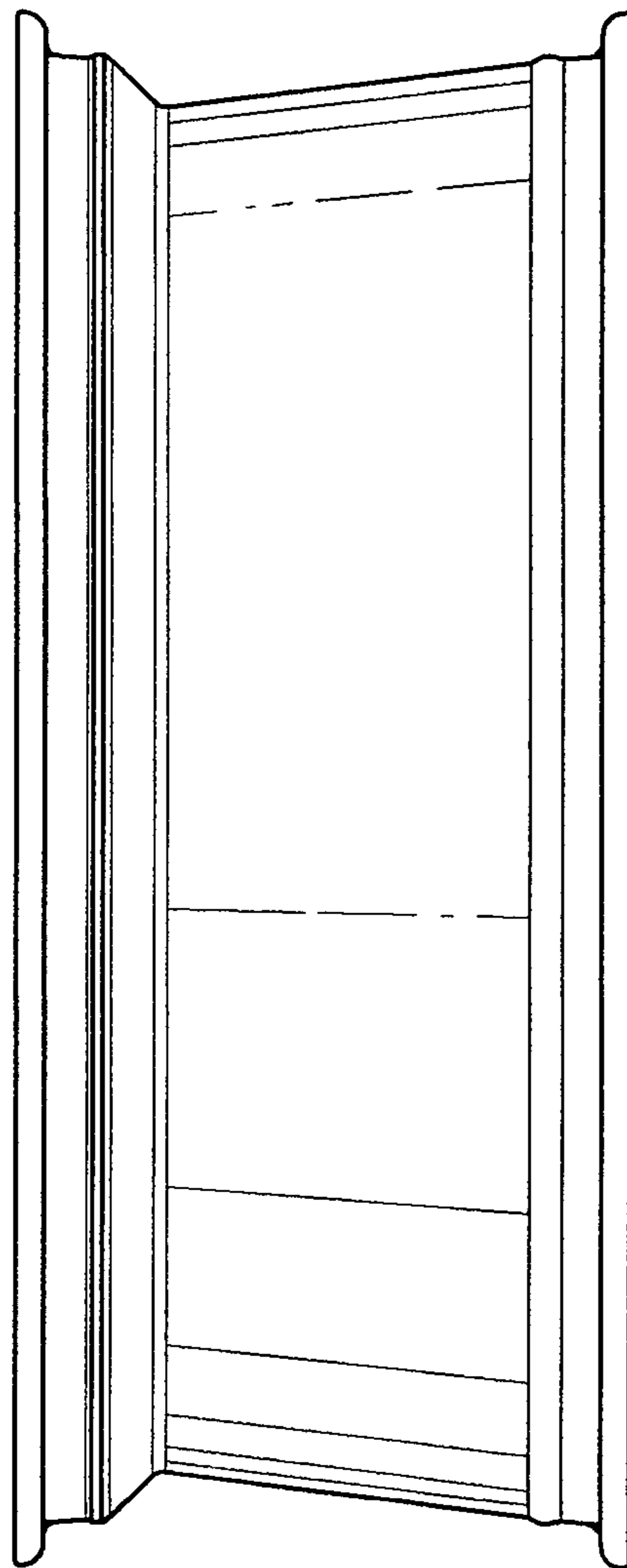
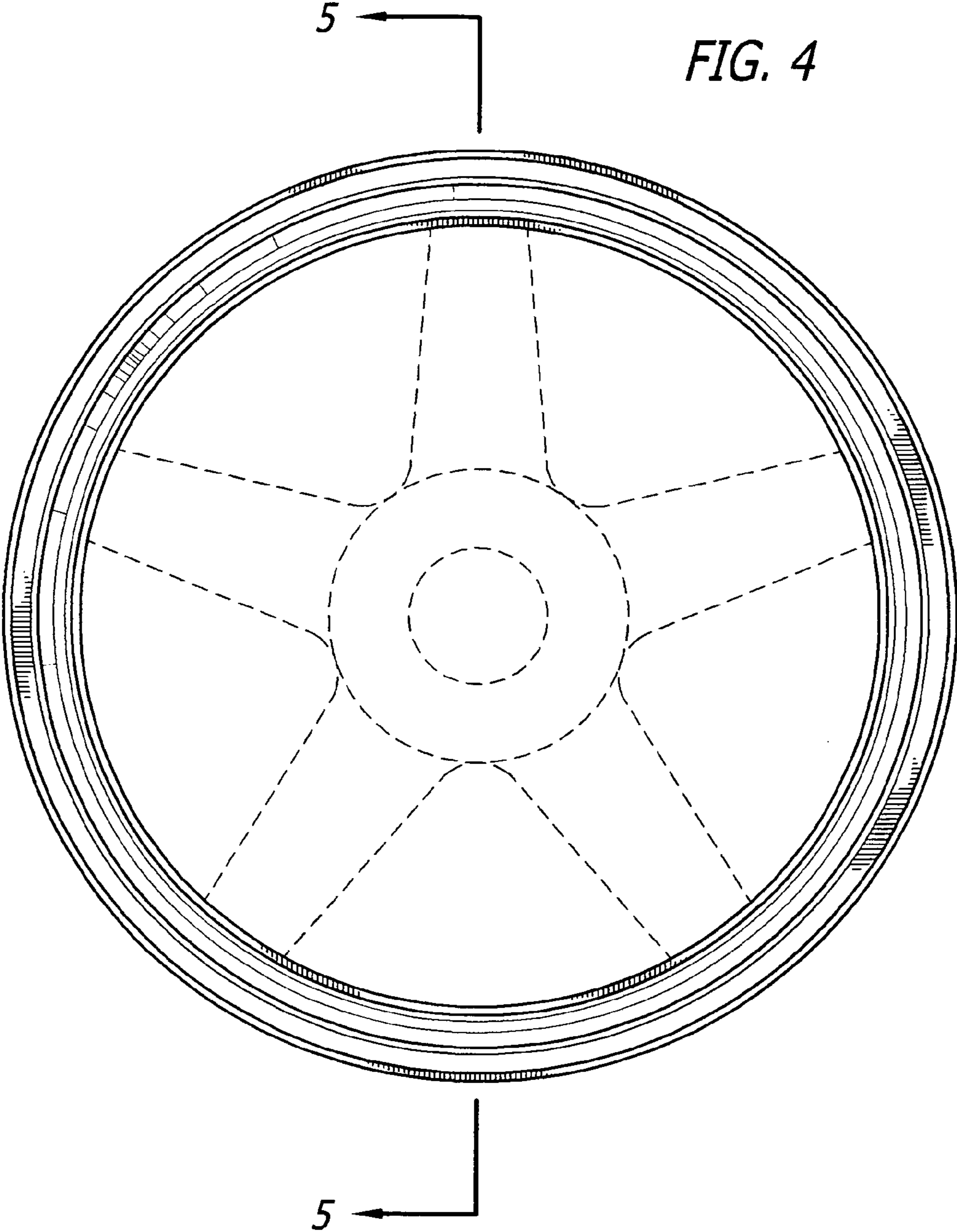


FIG. 3



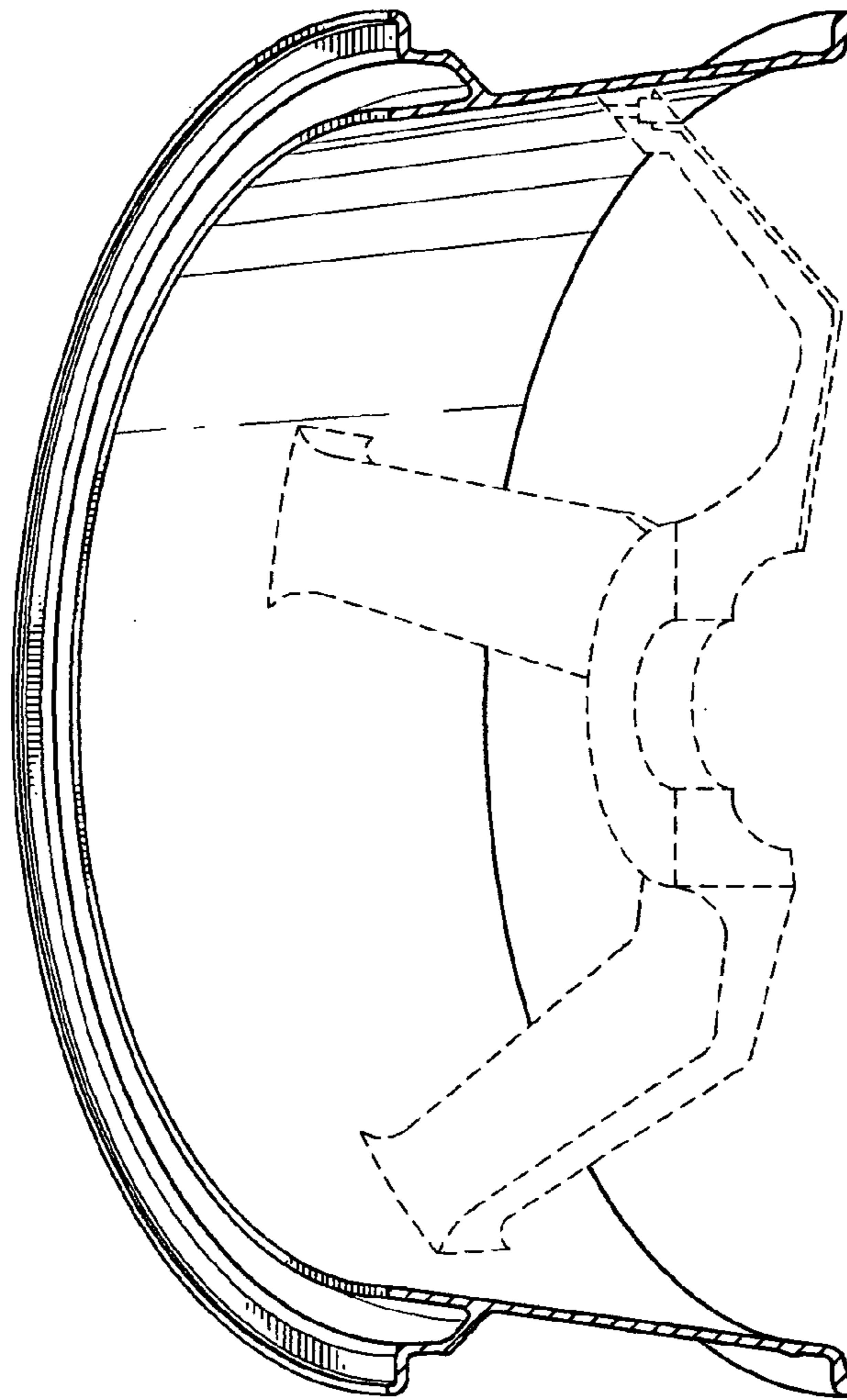


FIG. 5

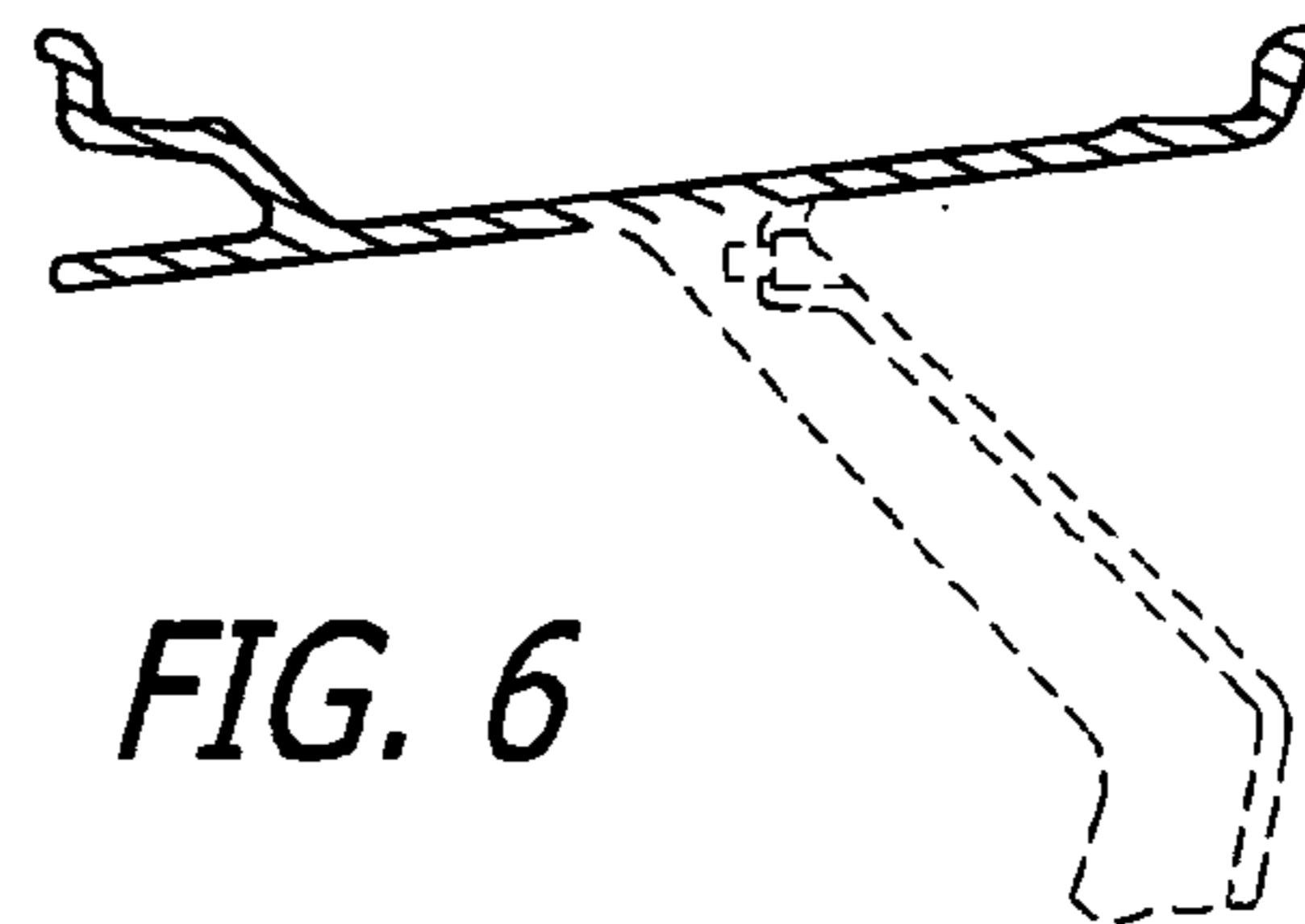


FIG. 6