



US00D730258S

(12) **United States Design Patent**  
**Burki et al.**

(10) **Patent No.:** **US D730,258 S**  
(45) **Date of Patent:** **\*\* May 26, 2015**

(54) **SAFETY CELL BODY PANEL FOR A VEHICLE**

(71) Applicant: **Daimler AG**, Stuttgart (DE)

(72) Inventors: **Emiel Burki**, Stuttgart (DE);  
**Hans-Dieter Futschik**, Gechingen (DE);  
**Michael Gebhardt**, Stuttgart (DE);  
**Gorden Wagener**, Gaeufelden (DE)

(73) Assignee: **Daimler AG**, Stuttgart (DE)

(\*\*) Term: **14 Years**

(21) Appl. No.: **29/482,598**

(22) Filed: **Feb. 20, 2014**

(30) **Foreign Application Priority Data**

Aug. 21, 2013 (EM) ..... DM/081639

(51) **LOC (10) Cl.** ..... **12-16**

(52) **U.S. Cl.**  
USPC ..... **D12/196**

(58) **Field of Classification Search**  
CPC ..... B62D 35/001; B62D 31/003; B62D 24/02  
USPC ..... D12/196, 90-92, 86; 296/181.1, 181.5  
See application file for complete search history.

(56) **References Cited**

**U.S. PATENT DOCUMENTS**

D485,210 S \* 1/2004 Sinkwitz et al. .... D12/91  
D512,673 S \* 12/2005 Nagashima ..... D12/196  
D519,414 S \* 4/2006 Hiruta et al. .... D12/90  
D519,880 S \* 5/2006 Hiruta et al. .... D12/91  
D522,424 S \* 6/2006 Nordmann ..... D12/196  
D549,134 S 8/2007 Sinkwitz  
D555,560 S 11/2007 Sinkwitz  
D592,117 S \* 5/2009 Ward ..... D12/196  
D605,101 S \* 12/2009 Mueller ..... D12/196

D605,572 S \* 12/2009 Ward ..... D12/196  
D619,046 S \* 7/2010 Liu et al. .... D12/90  
D633,838 S \* 3/2011 Loeb ..... D12/196  
D684,091 S \* 6/2013 Frenzel et al. .... D12/90  
D697,001 S \* 1/2014 Loeb et al. .... D12/196  
D704,615 S \* 5/2014 Mueller et al. .... D12/196

\* cited by examiner

*Primary Examiner* — Melody Brown

(74) *Attorney, Agent, or Firm* — Crowell & Moring LLP

(57) **CLAIM**

The ornamental design for a safety cell body panel for a vehicle, as shown and described.

**DESCRIPTION**

This application contains subject matter related to the following U.S. design patent applications:

Application Ser. No. 29/482,593, filed herewith and entitled “Vehicle, Toy, and/or Replicas Thereof”;

Application Ser. No. 29/482,595, filed herewith and entitled “Safety Cell for a Vehicle”; and

Application Ser. No. 29/482,596, filed herewith and entitled “Vehicle, Toy, and/or Replicas Thereof”.

FIG. 1 is a left perspective view of a first embodiment of a safety cell body panel for a vehicle according to the design;

FIG. 2 is a right perspective view thereof; and

FIG. 3 is a front view thereof.

FIG. 4 is a right perspective view of a second embodiment of the safety cell body panel for a vehicle according to the design;

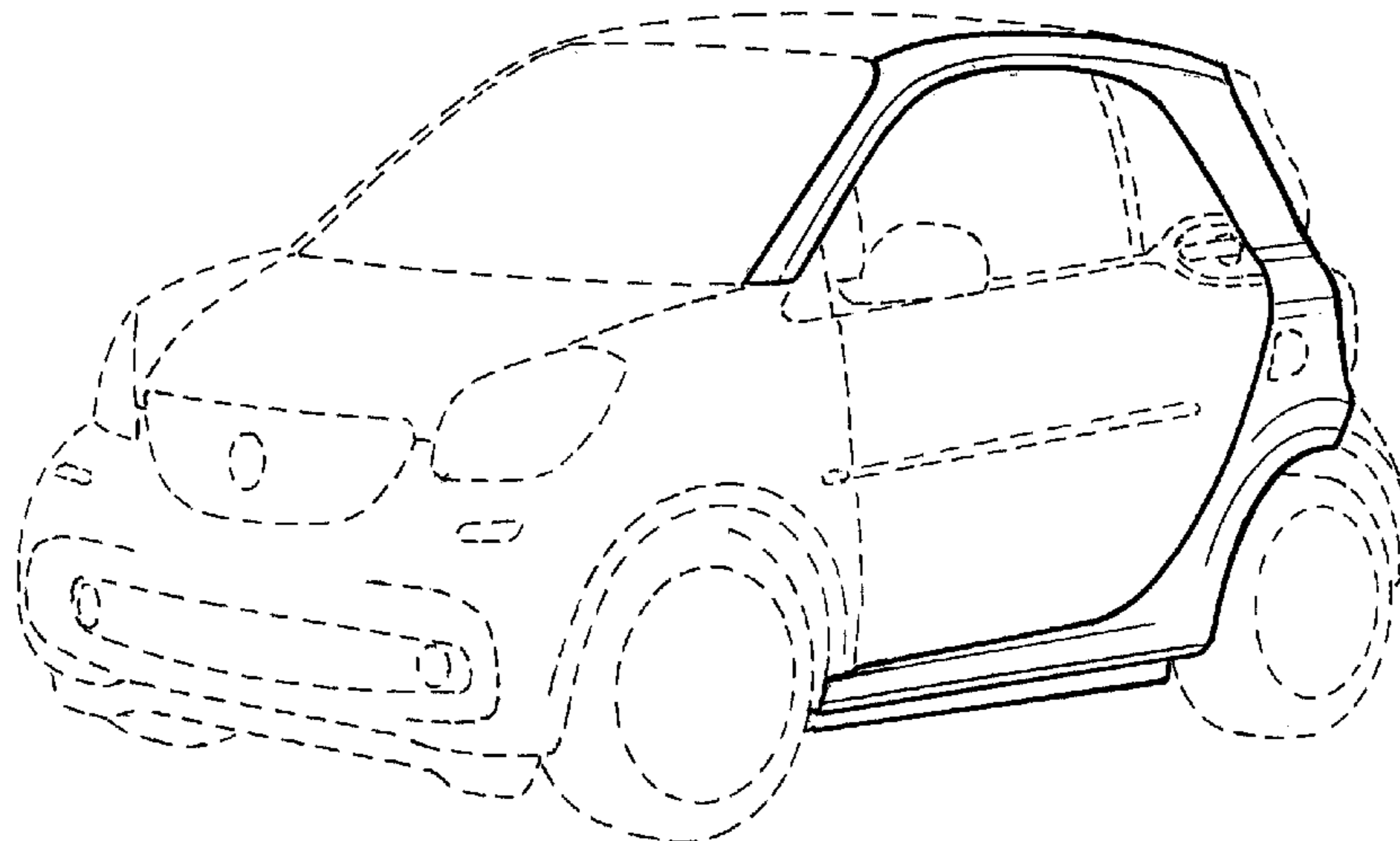
FIG. 5 is a left perspective view thereof; and

FIG. 6 is a front view thereof; and,

FIG. 7 is a top view which includes the first and second embodiments of the safety cell body panel for a vehicle according to the design.

The broken lines are for illustrative purposes only and form no part of the claimed design.

**1 Claim, 7 Drawing Sheets**



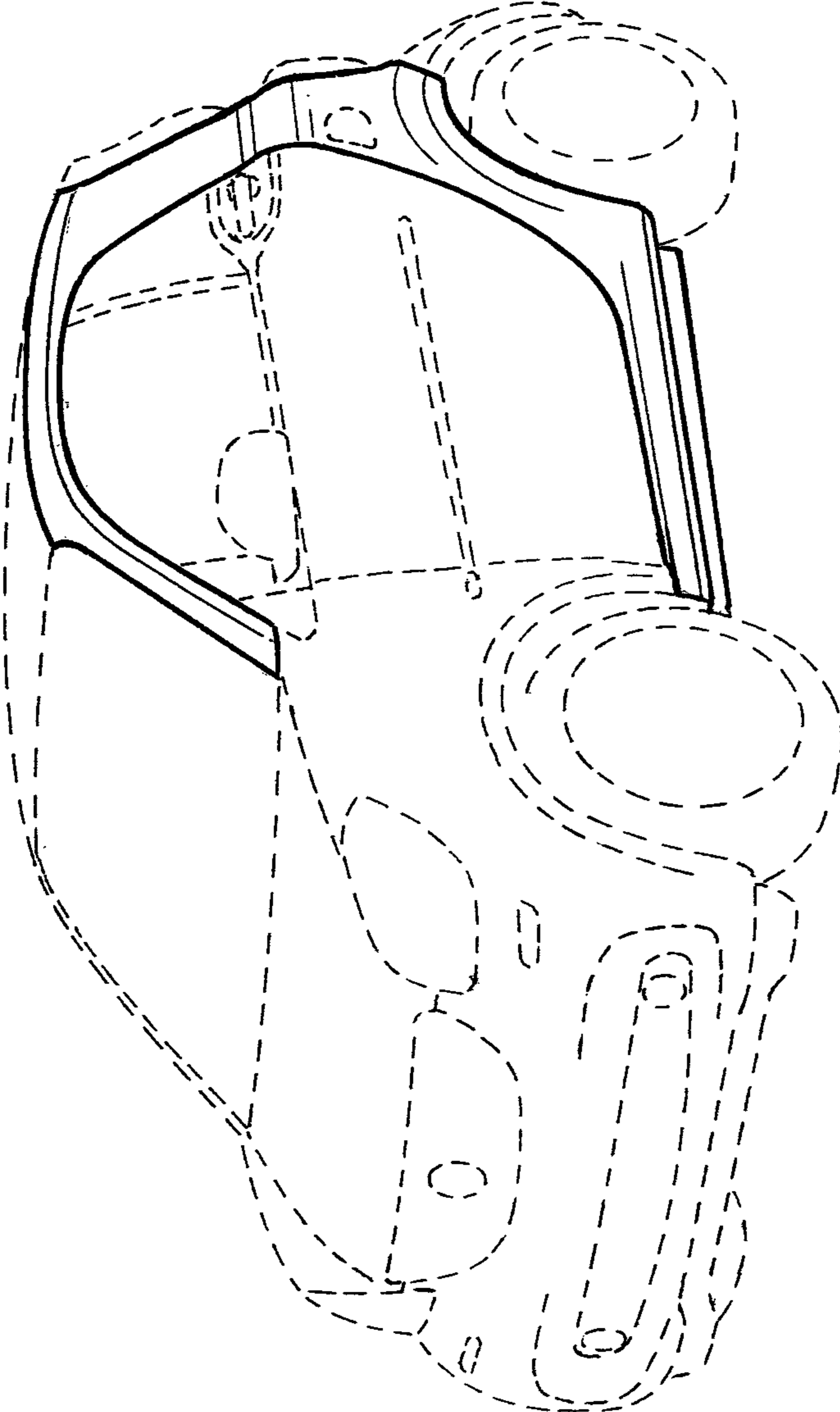


FIG. 1

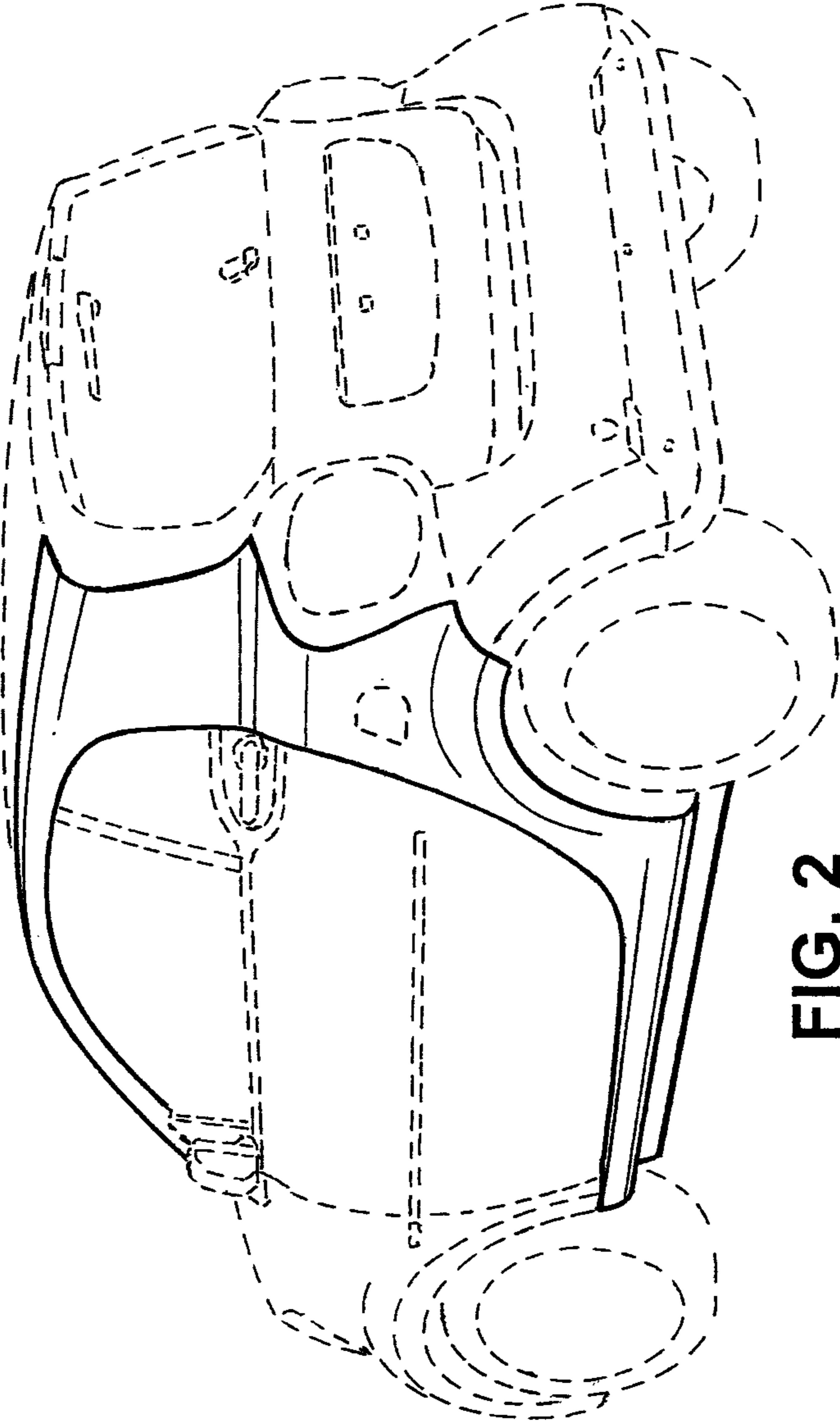


FIG. 2

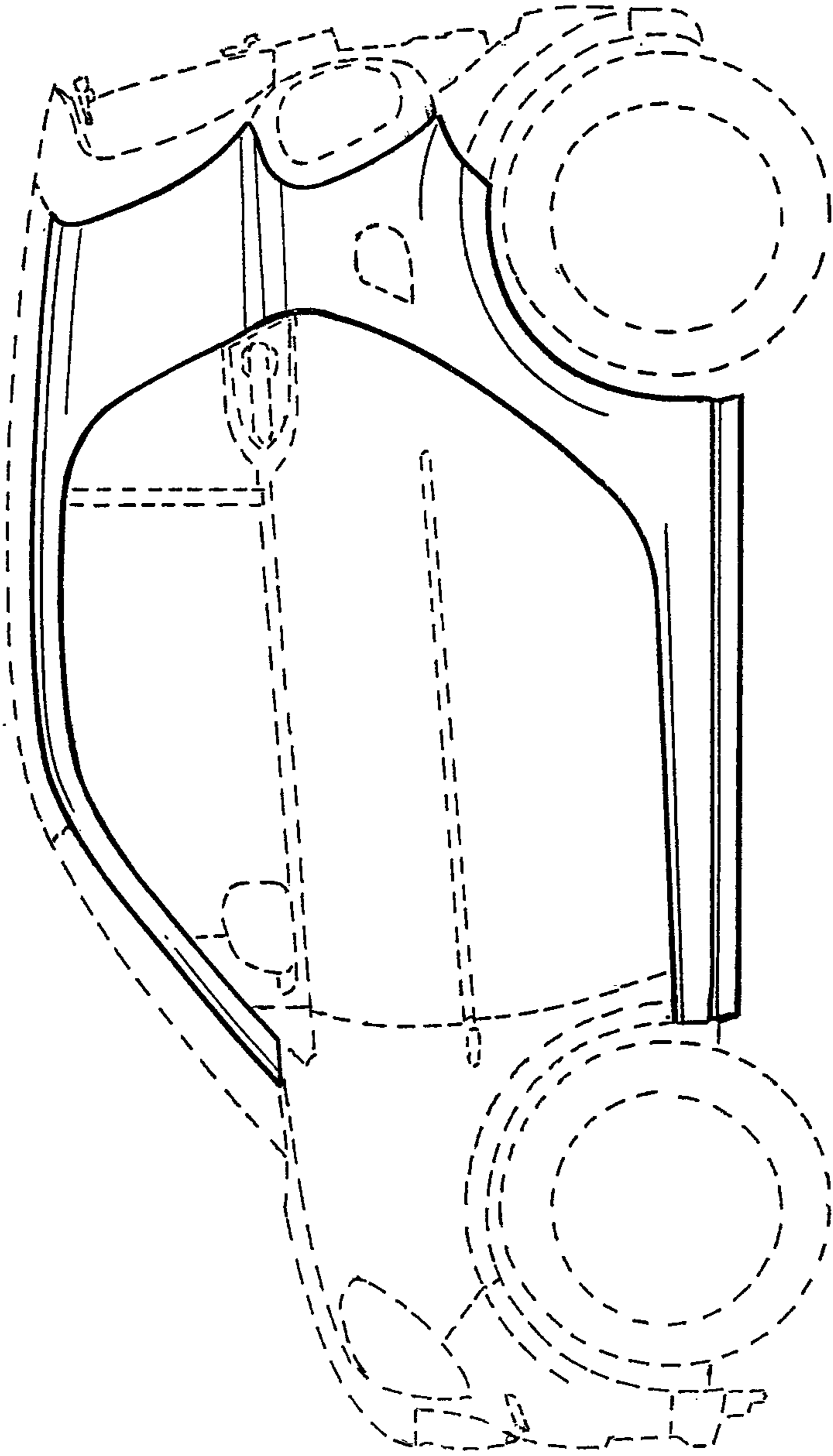


FIG. 3

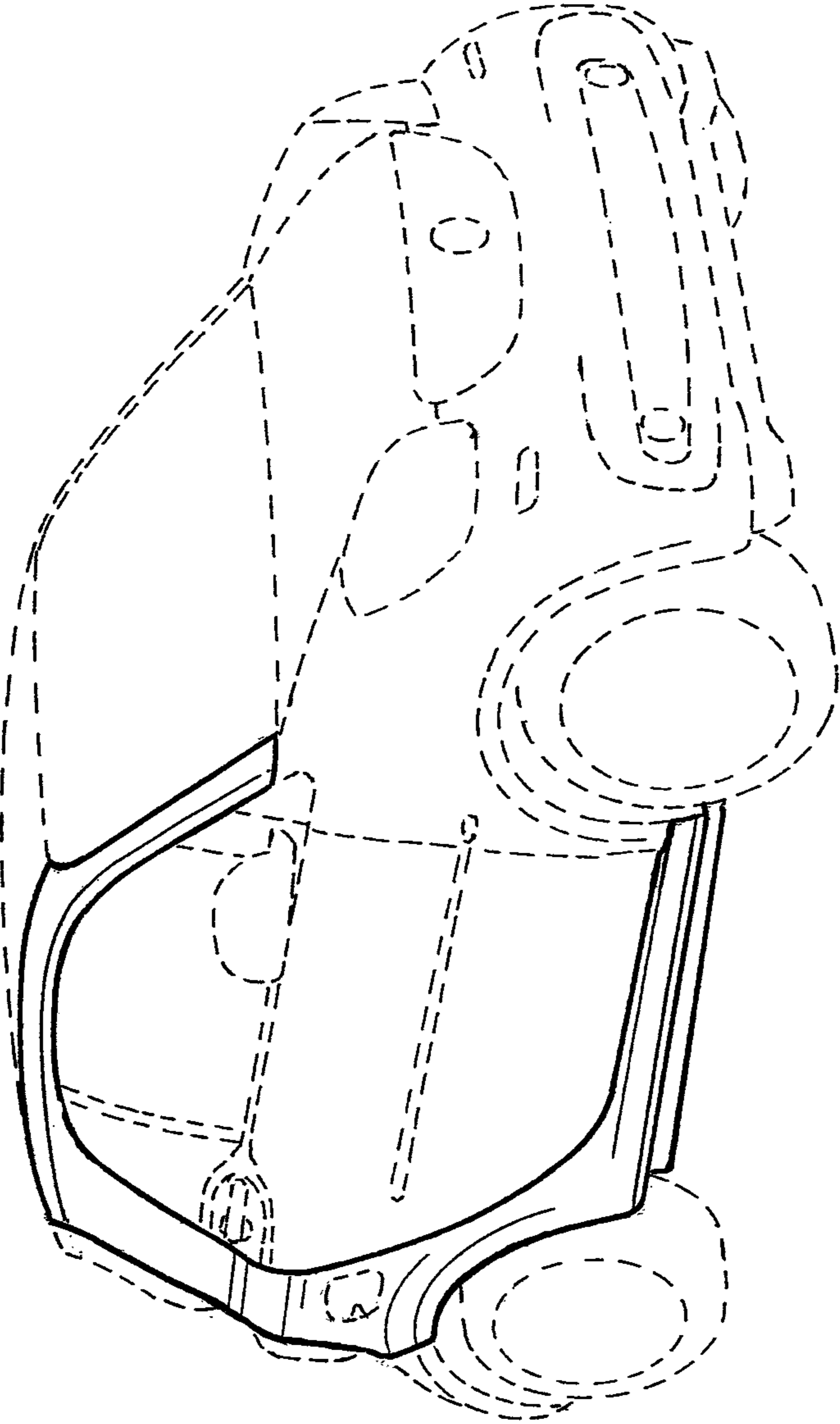


FIG. 4



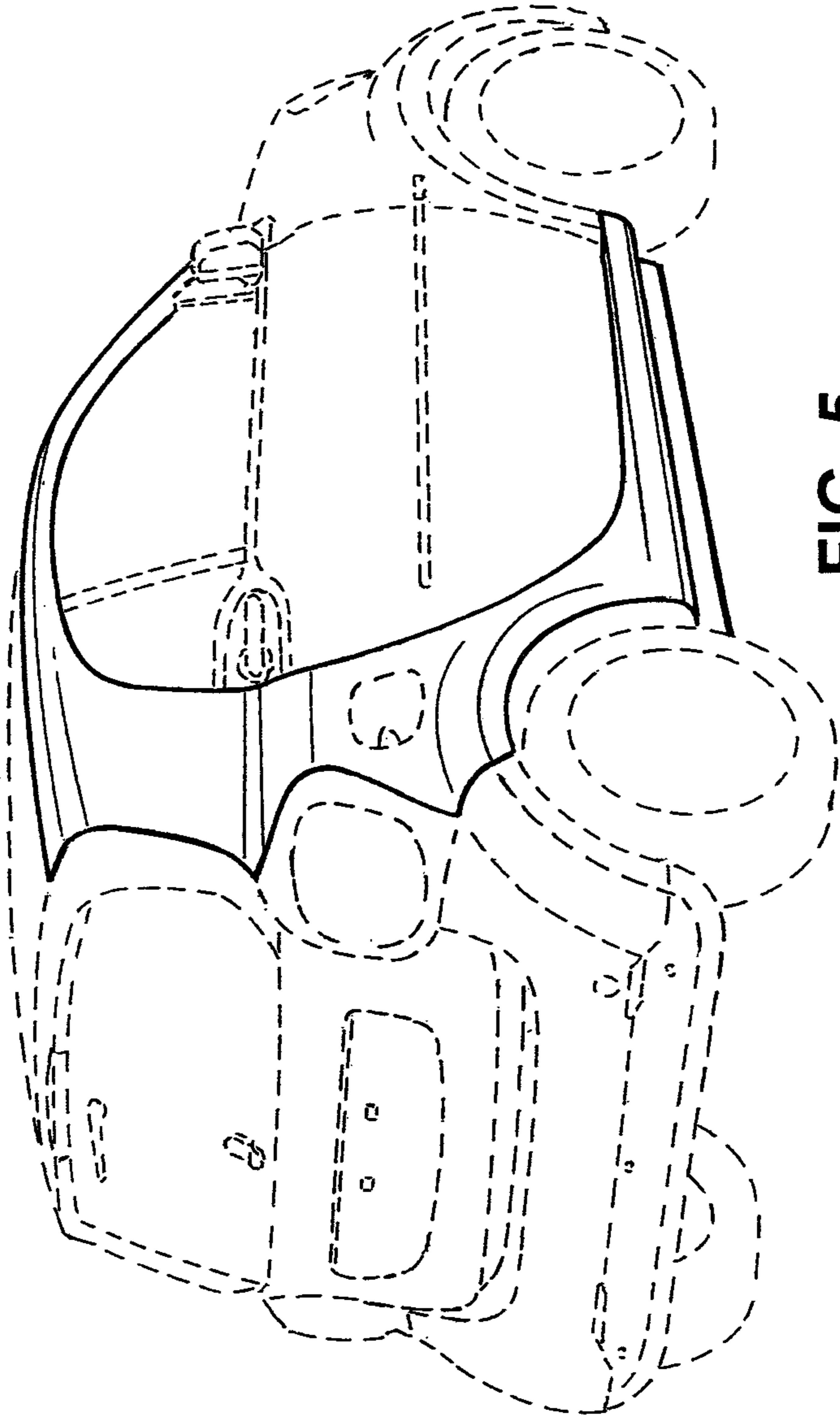


FIG. 5

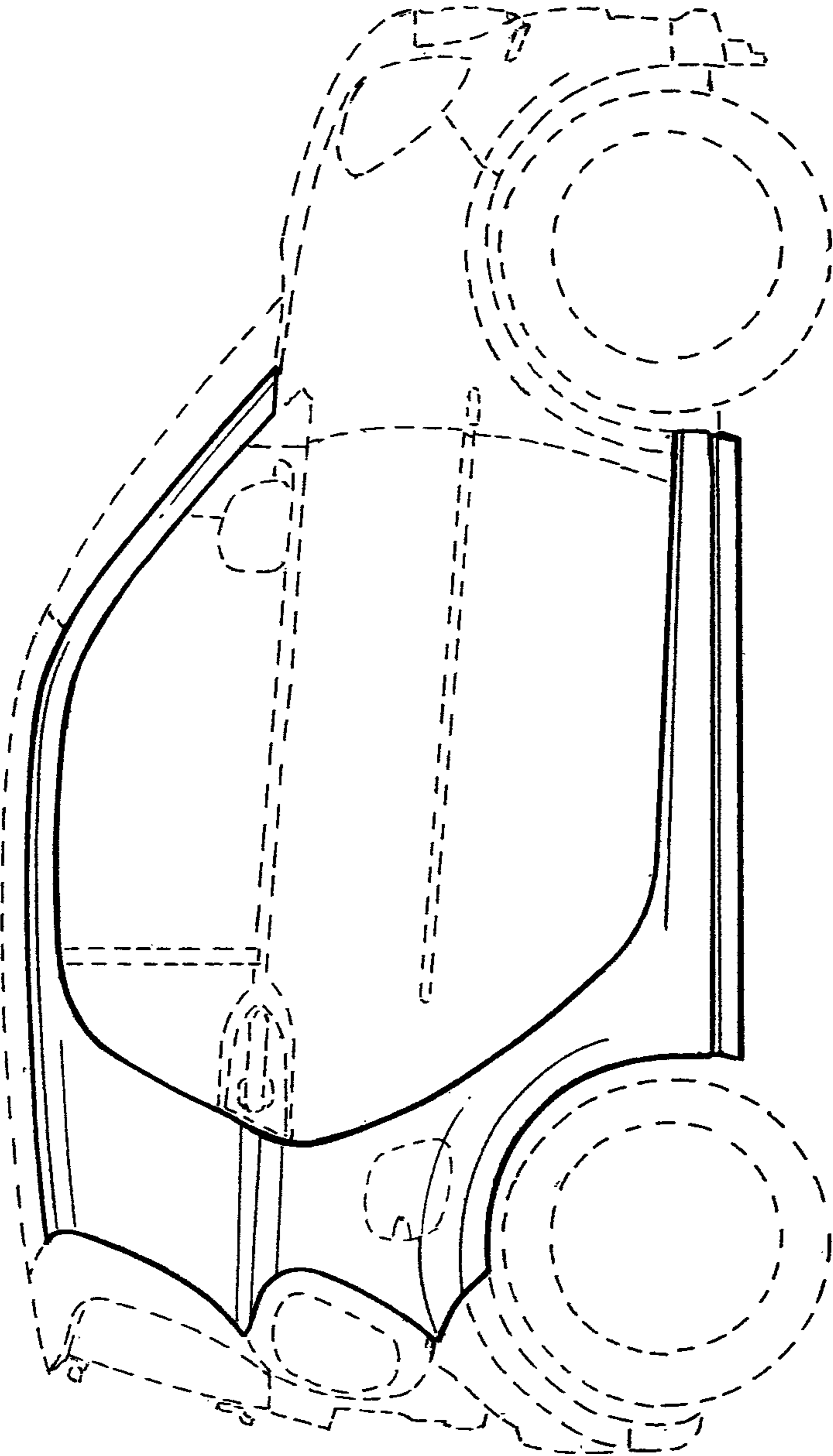


FIG. 6

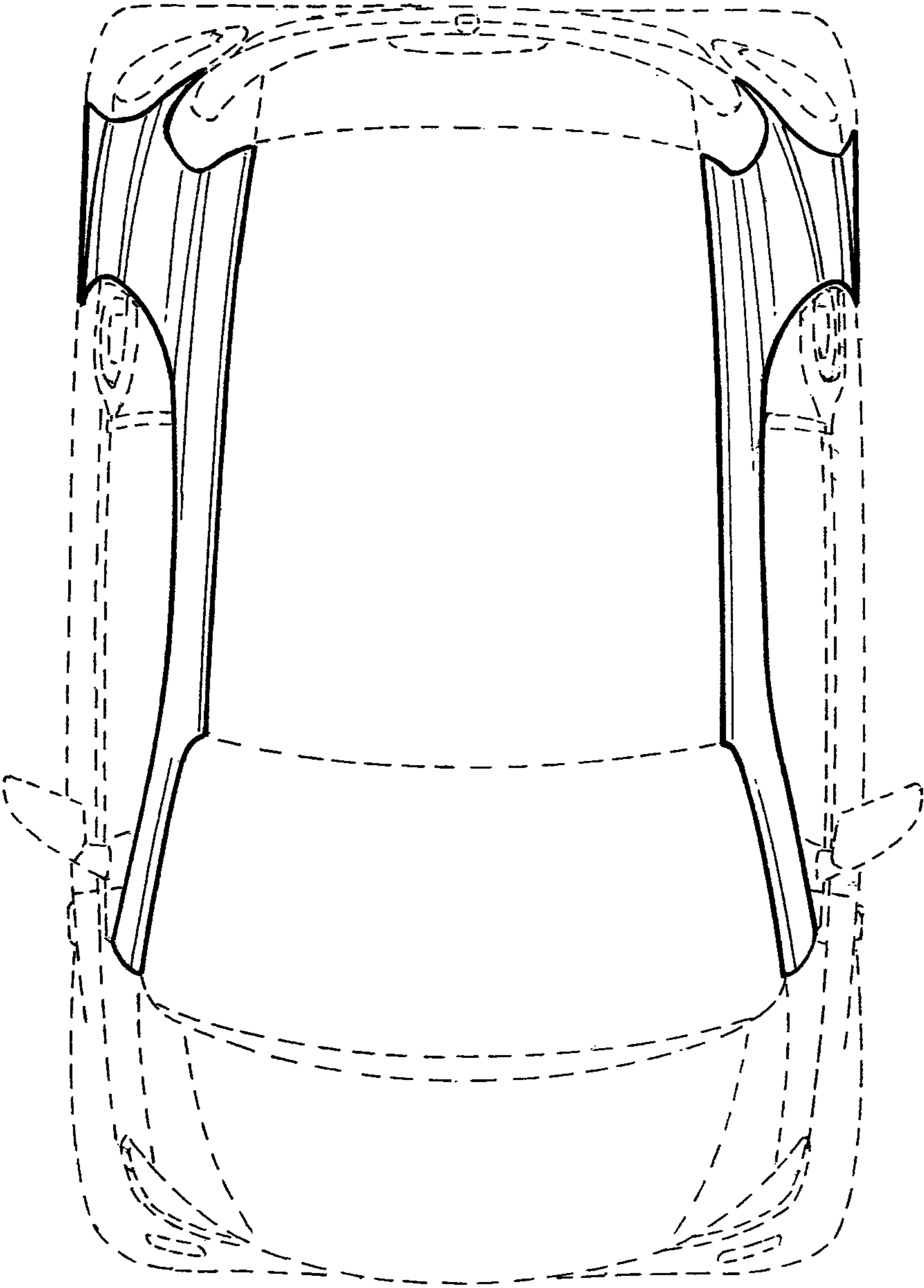


FIG. 7