



US00D730255S

(12) **United States Design Patent**
Roth

(10) **Patent No.:** **US D730,255 S**

(45) **Date of Patent:** **** May 26, 2015**

- (54) **REARVIEW DEVICE**
- (71) Applicant: **Gentex Corporation**, Zeeland, MI (US)
- (72) Inventor: **Mark R. Roth**, Grand Rapids, MI (US)
- (73) Assignee: **GENTEX CORPORATION**, Zeeland, MI (US)
- (**) Term: **14 Years**
- (21) Appl. No.: **29/507,958**
- (22) Filed: **Oct. 31, 2014**
- (51) **LOC (10) Cl.** **12-16**
- (52) **U.S. Cl.**
USPC **D12/187**
- (58) **Field of Classification Search**
USPC D12/187, 188–189; D6/300, 309;
359/838, 841, 842–844, 868, 871, 604,
359/881, 514, 866; 248/479–483, 475.1
See application file for complete search history.

D471,847 S *	3/2003	Rumsey et al.	D12/187
D493,131 S *	7/2004	Lawlor et al.	D12/187
D493,394 S *	7/2004	Lawlor et al.	D12/187
D499,678 S *	12/2004	Bradley	D12/187
6,902,284 B2 *	6/2005	Hutzel et al.	359/865
D553,061 S *	10/2007	Schmidt et al.	D12/187
2014/0192431 A1 *	7/2014	Sloterbeek et al.	359/871

* cited by examiner

Primary Examiner — Katrina A Betton

(74) *Attorney, Agent, or Firm* — Price Heneveld LLP; Scott P. Ryan

(57) **CLAIM**

I claim the ornamental design for a rearview device, as shown and described.

DESCRIPTION

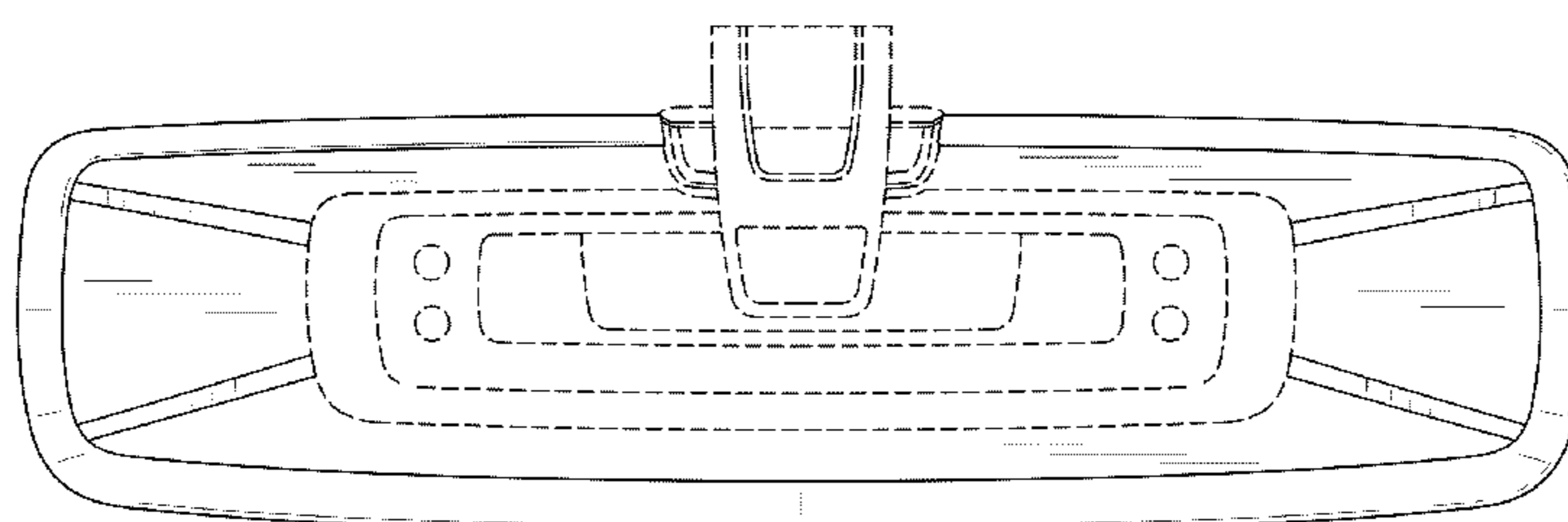
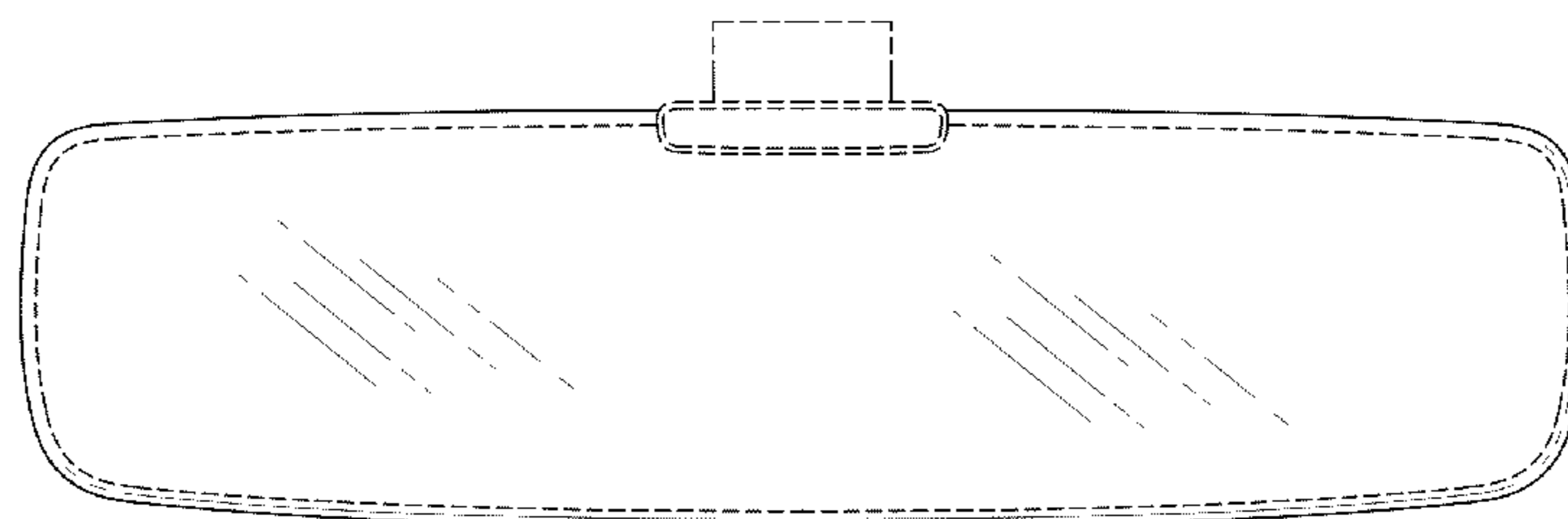
FIG. 1 is a front perspective view of a rearview device of the present disclosure;
 FIG. 2 is a rear perspective view of the rearview device of FIG. 1;
 FIG. 3 is a front elevational view of the rearview device of FIG. 1;
 FIG. 4 is a rear elevational view of the rearview device of FIG. 1;
 FIG. 5 is a side elevational view of the rearview device of FIG. 1;
 FIG. 6 is a top plan view of the rearview device of FIG. 1; and,
 FIG. 7 is a bottom plan view of the rearview device of FIG. 1.
 In the drawings, the broken lines depict portions of the article that form no part of the claimed design.

1 Claim, 3 Drawing Sheets

(56) **References Cited**

U.S. PATENT DOCUMENTS

D283,998 S *	5/1986	Tanaka	D12/187
4,630,904 A *	12/1986	Pastore	359/636
D346,356 S *	4/1994	Leu	D12/187
D400,481 S *	11/1998	Stephens et al.	D12/187
D401,200 S *	11/1998	Huang	D12/187
D451,869 S *	12/2001	Knapp et al.	D12/187



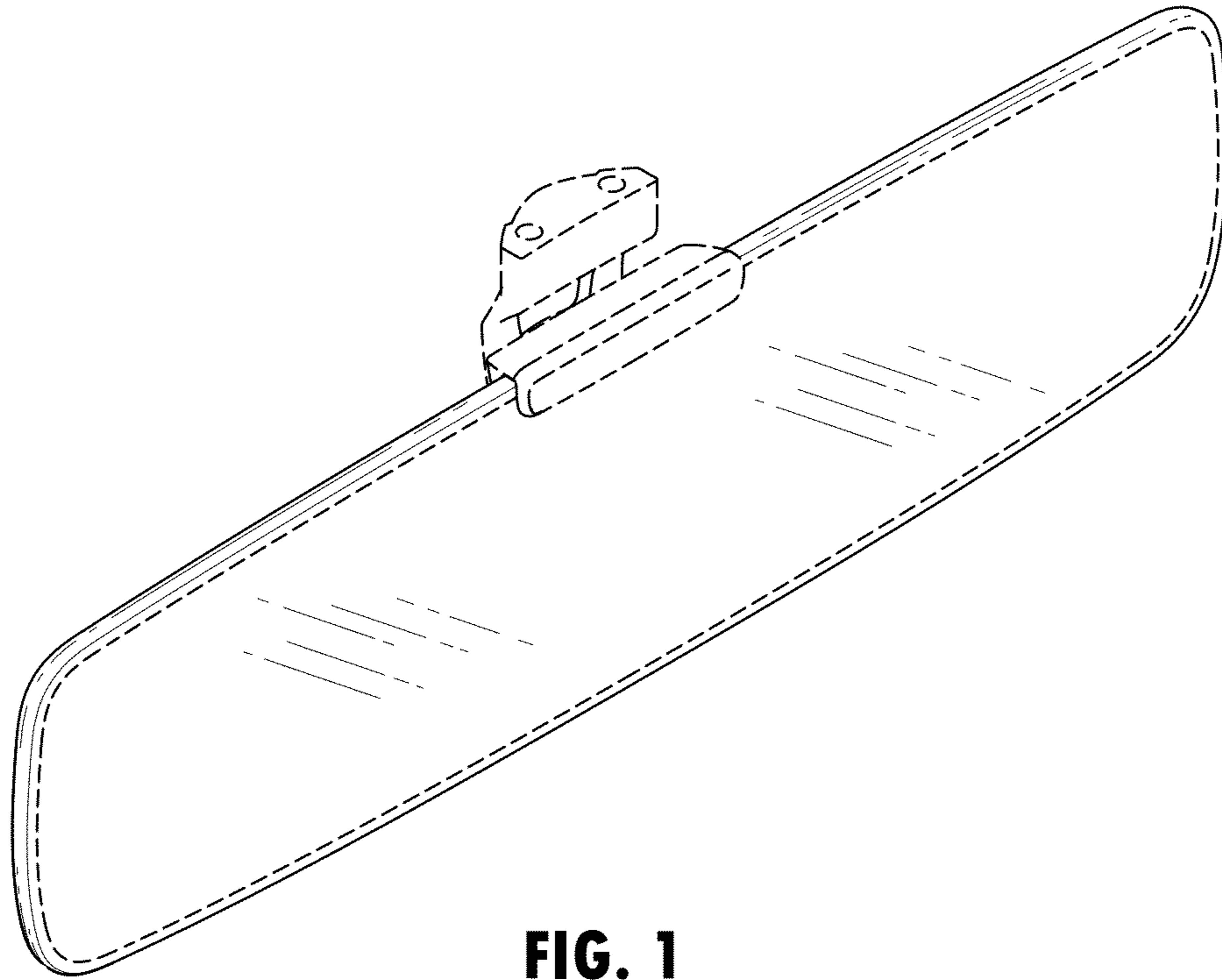


FIG. 1

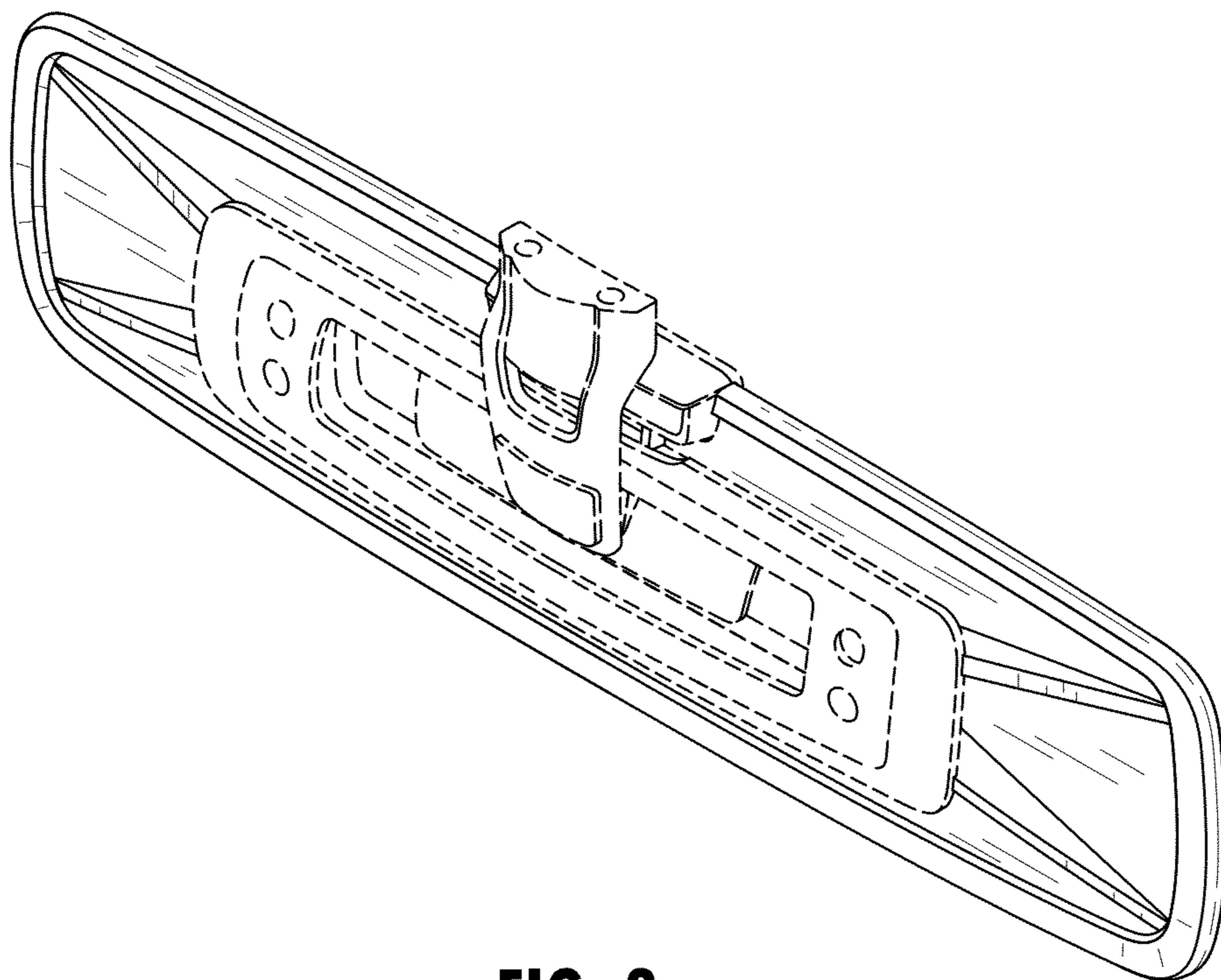


FIG. 2

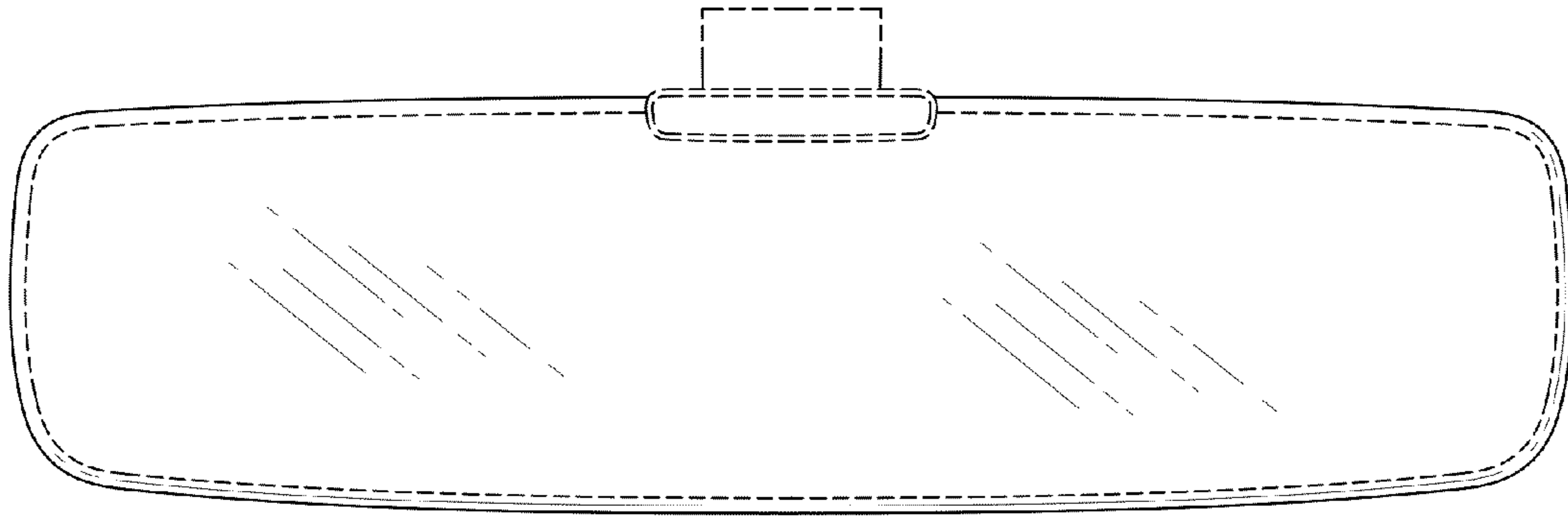


FIG. 3

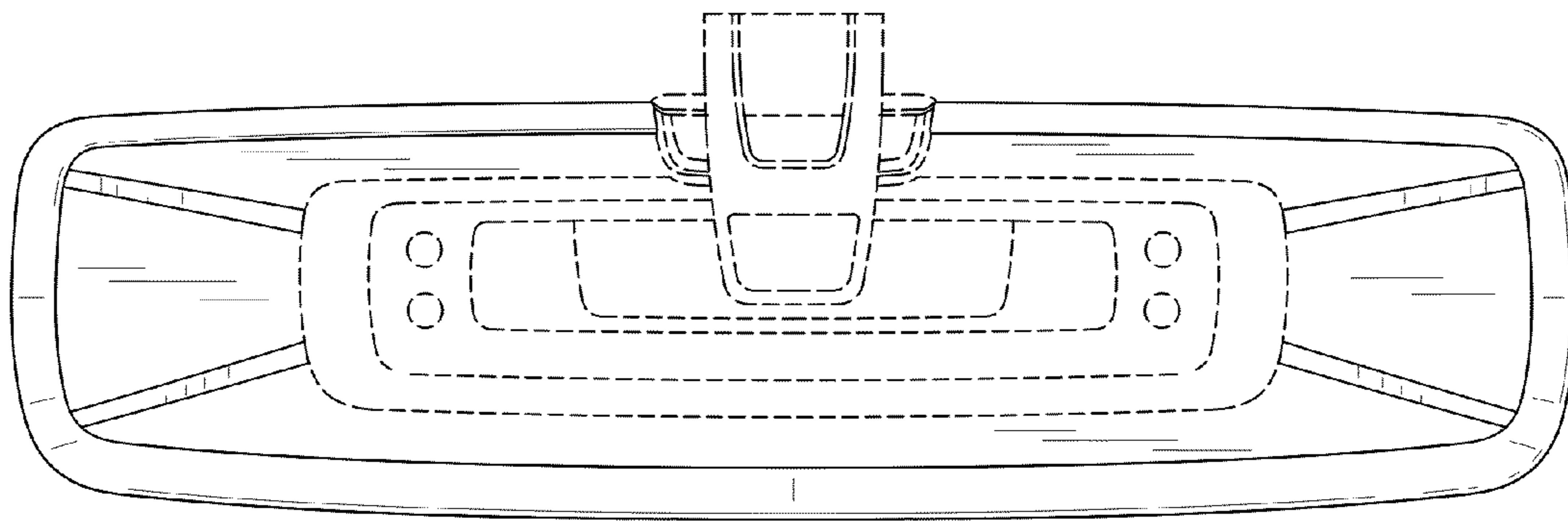


FIG. 4

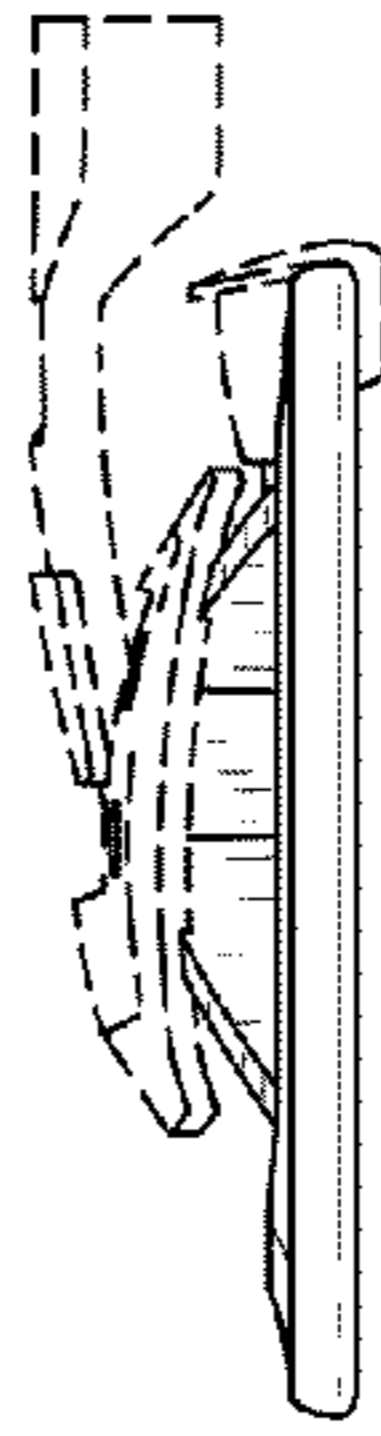


FIG. 5

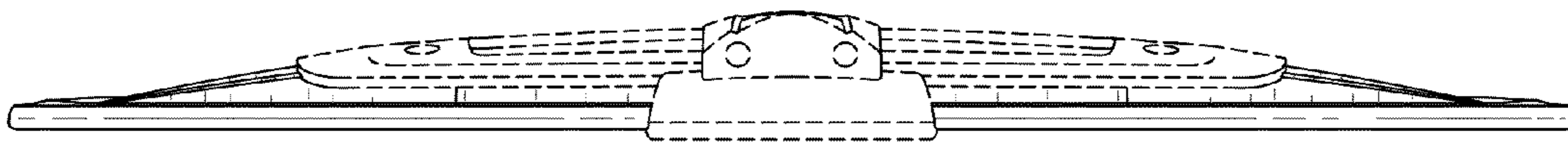


FIG. 6

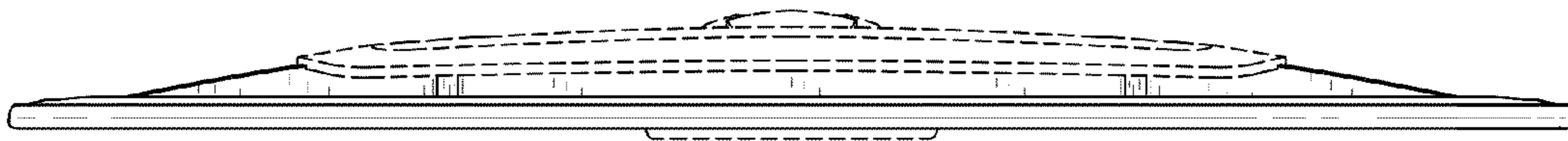


FIG. 7