



US00D730251S

(12) **United States Design Patent**  
**Rindner**

(10) **Patent No.:** **US D730,251 S**

(45) **Date of Patent:** **\*\* May 26, 2015**

(54) **STROLLER KICKSTAND**

(71) Applicant: **Mark Rindner**, New York, NY (US)

(72) Inventor: **Mark Rindner**, New York, NY (US)

(\*\*) Term: **14 Years**

(21) Appl. No.: **29/483,233**

(22) Filed: **Feb. 26, 2014**

(51) **LOC (10) Cl.** ..... **12-12**

(52) **U.S. Cl.**  
USPC ..... **D12/133; D12/120**

(58) **Field of Classification Search**  
USPC ..... D12/128-133, 120, 110, 111, 114, 115;  
280/62, 642, 647-650, 29, 200, 47.38,  
280/250.1, 259, 658, 304.1, 301, 303, 291,  
280/293, 288.4; 128/99.1, 100.1; 180/219;  
74/551.7, 551.8, 551.9, 489, 491,  
74/502.2, 519, 523-525;  
188/24.11-24.22; 16/110.4, 430  
See application file for complete search history.

(56) **References Cited**

**U.S. PATENT DOCUMENTS**

2,353,326	A	7/1944	Troendle	
2,510,412	A *	6/1950	Olson	280/303
D196,627	S *	10/1963	Wolf	D12/120
4,241,933	A *	12/1980	Gratza et al.	280/301
D350,089	S *	8/1994	Greenfield	D12/120
5,511,802	A *	4/1996	Aitken	280/1.5
D408,765	S *	4/1999	Fish	D12/120
6,273,451	B1 *	8/2001	Julien et al.	280/642
6,378,890	B1 *	4/2002	Cheng	280/642
6,474,664	B1	11/2002	Luttway et al.	
7,014,203	B2	3/2006	Liu	

7,234,711	B2	6/2007	Gordon et al.	
7,398,988	B2	7/2008	Ostrow et al.	
8,646,803	B2 *	2/2014	Adolfsson et al.	280/647
2011/0193326	A1	8/2011	Adolfsson et al.	

\* cited by examiner

*Primary Examiner* — Ian Simmons

*Assistant Examiner* — Charles Hanson

(74) *Attorney, Agent, or Firm* — Goldstein Law Offices, P.C.

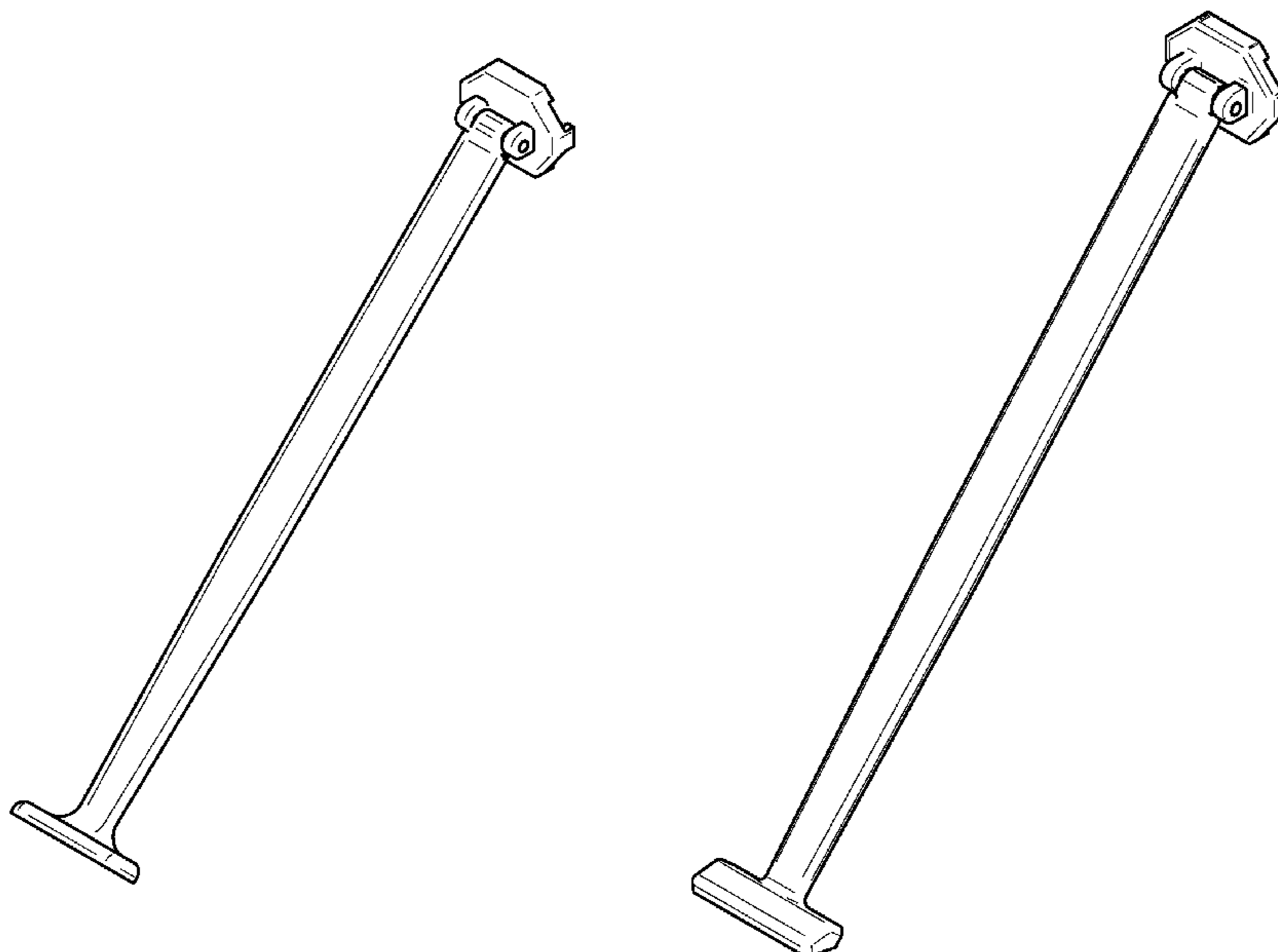
(57) **CLAIM**

The ornamental design for a stroller kickstand, as shown and described.

**DESCRIPTION**

FIG. 1 is a perspective view of the first embodiment of the stroller kickstand in full lines.  
 FIG. 2 is a top plan view of the stroller kickstand.  
 FIG. 3 is a bottom plan view thereof.  
 FIG. 4 is a front elevational view thereof.  
 FIG. 5 is a rear elevational view thereof.  
 FIG. 6 is a left side view thereof.  
 FIG. 7 is a right side view thereof.  
 FIG. 8 is a perspective view of the second embodiment of the stroller kickstand in full lines.  
 FIG. 9 is a top plan view of the stroller kickstand.  
 FIG. 10 is a bottom plan view thereof.  
 FIG. 11 is a front elevational view thereof.  
 FIG. 12 is a rear elevational view thereof.  
 FIG. 13 is a right side view thereof.  
 FIG. 14 is a left side view thereof; and,  
 FIG. 15 is a perspective view thereof, attached to a stroller. The broken line showing of a stroller in FIG. 15 is included for the purpose of illustrating environment and forms no part of the claimed design.

**1 Claim, 9 Drawing Sheets**



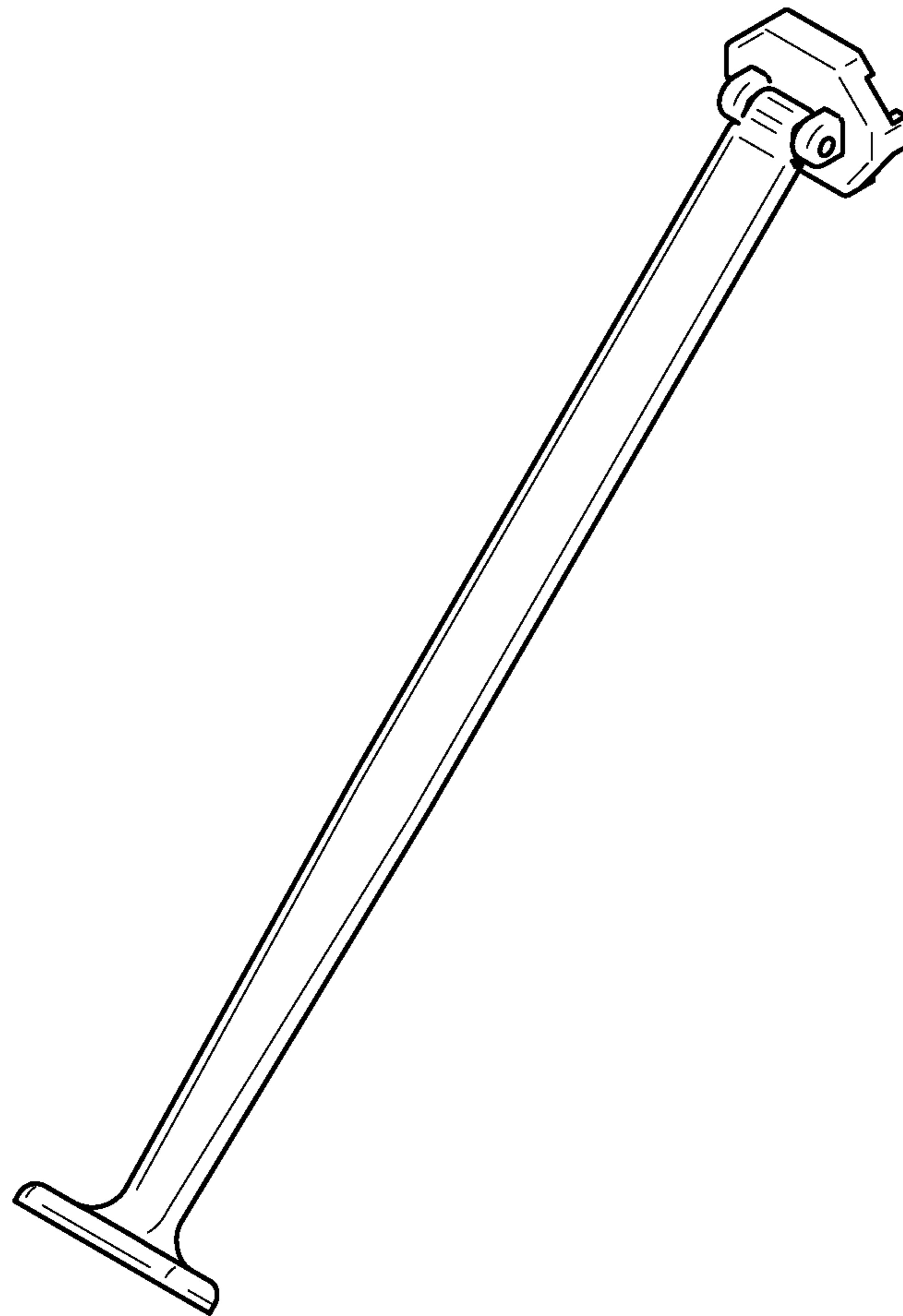
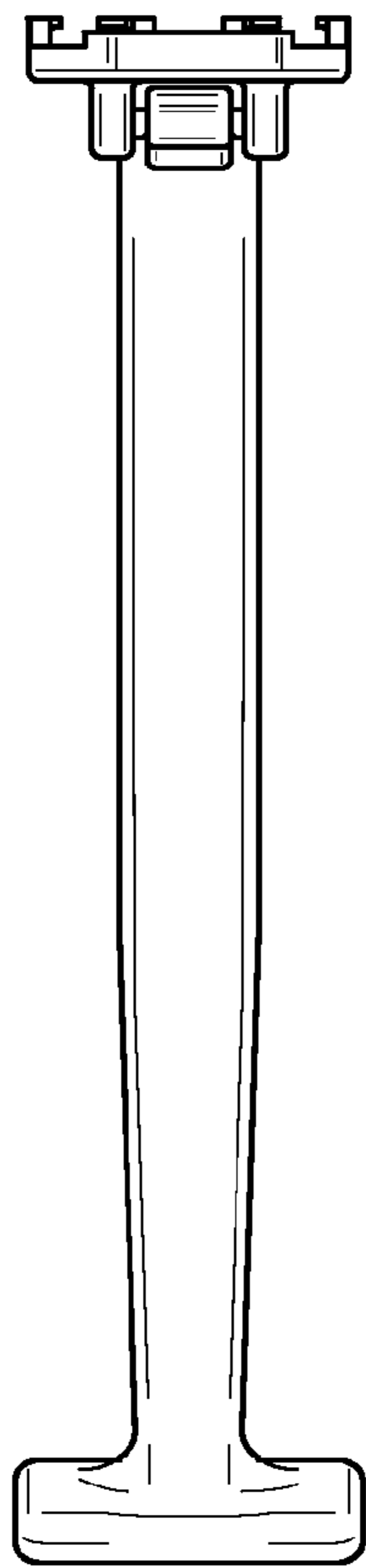
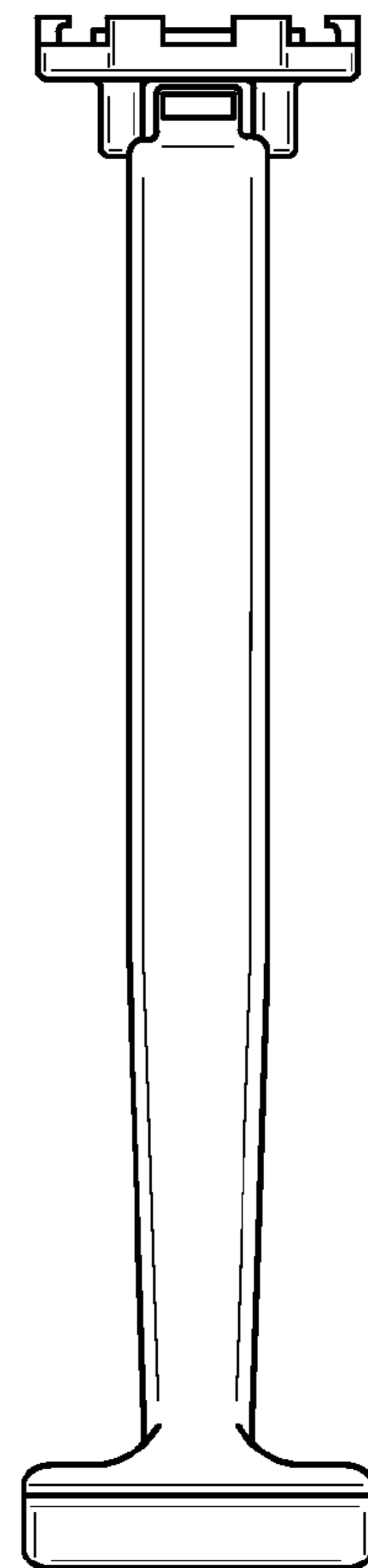


FIG. 1



*FIG. 2*



*FIG. 3*

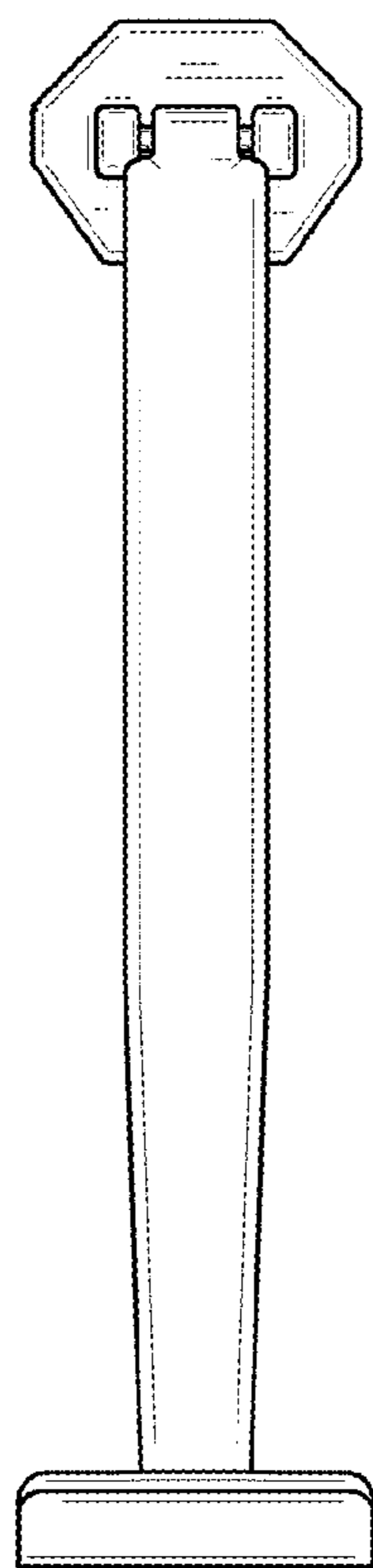


FIG. 4

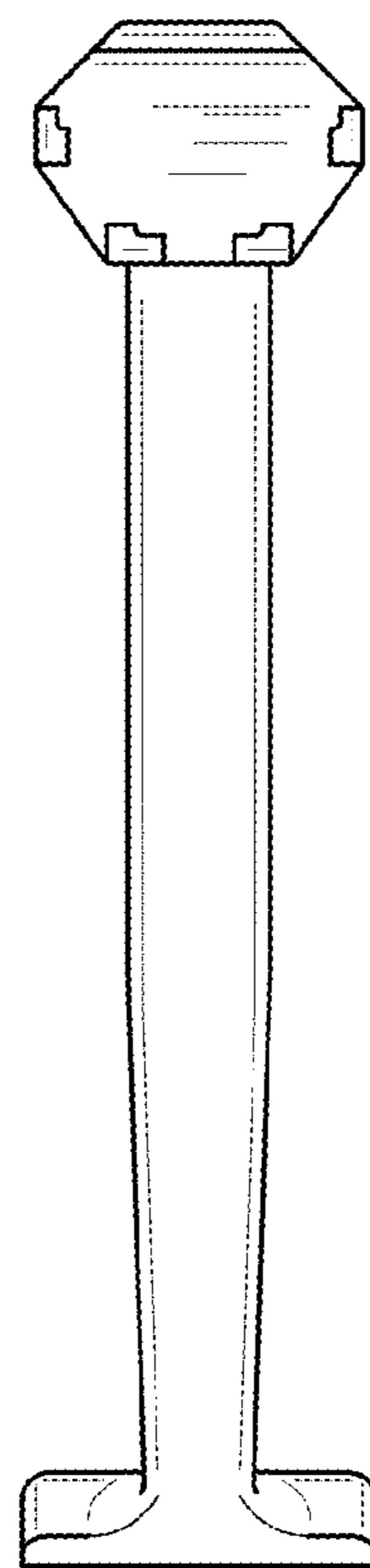
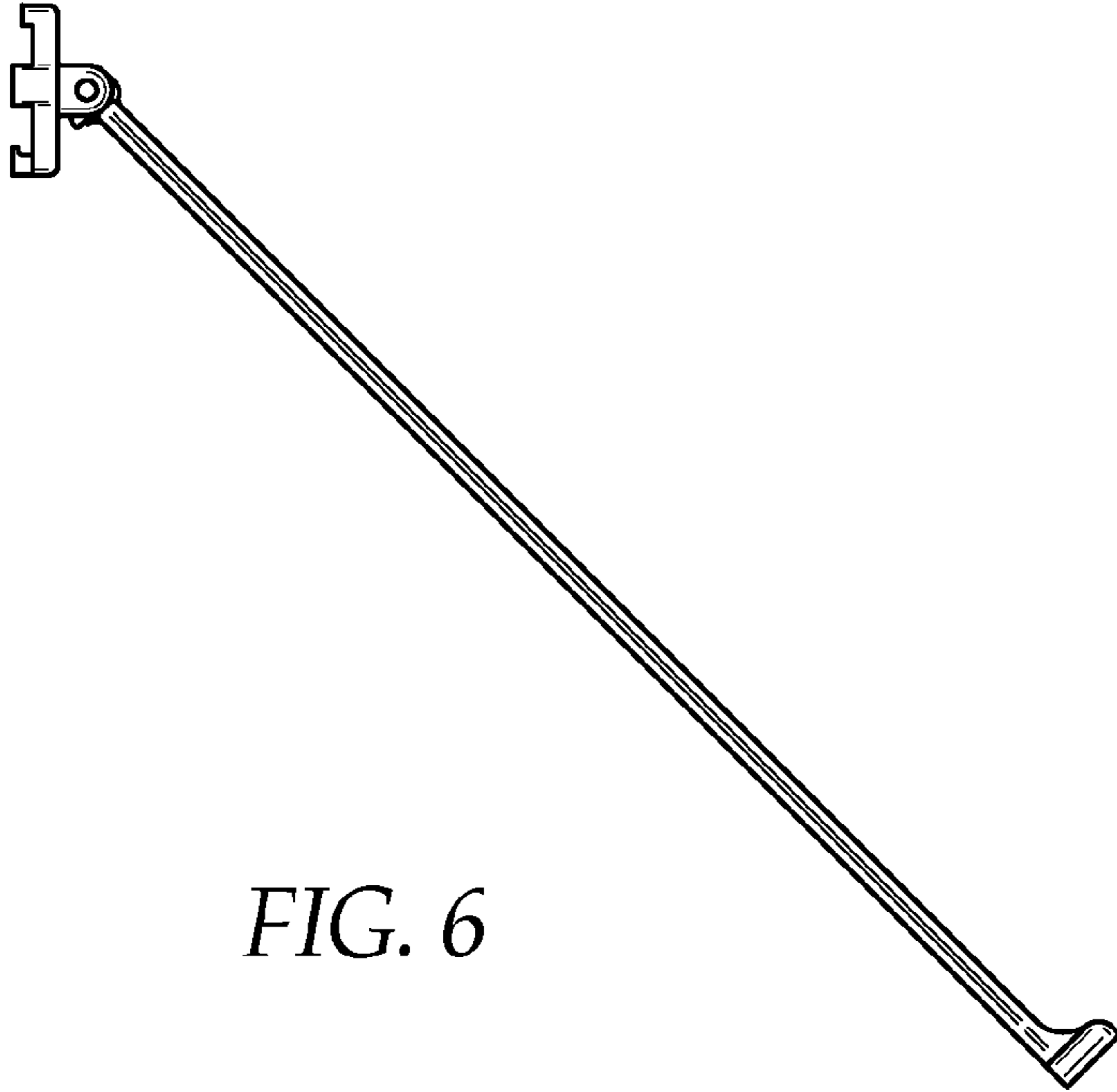
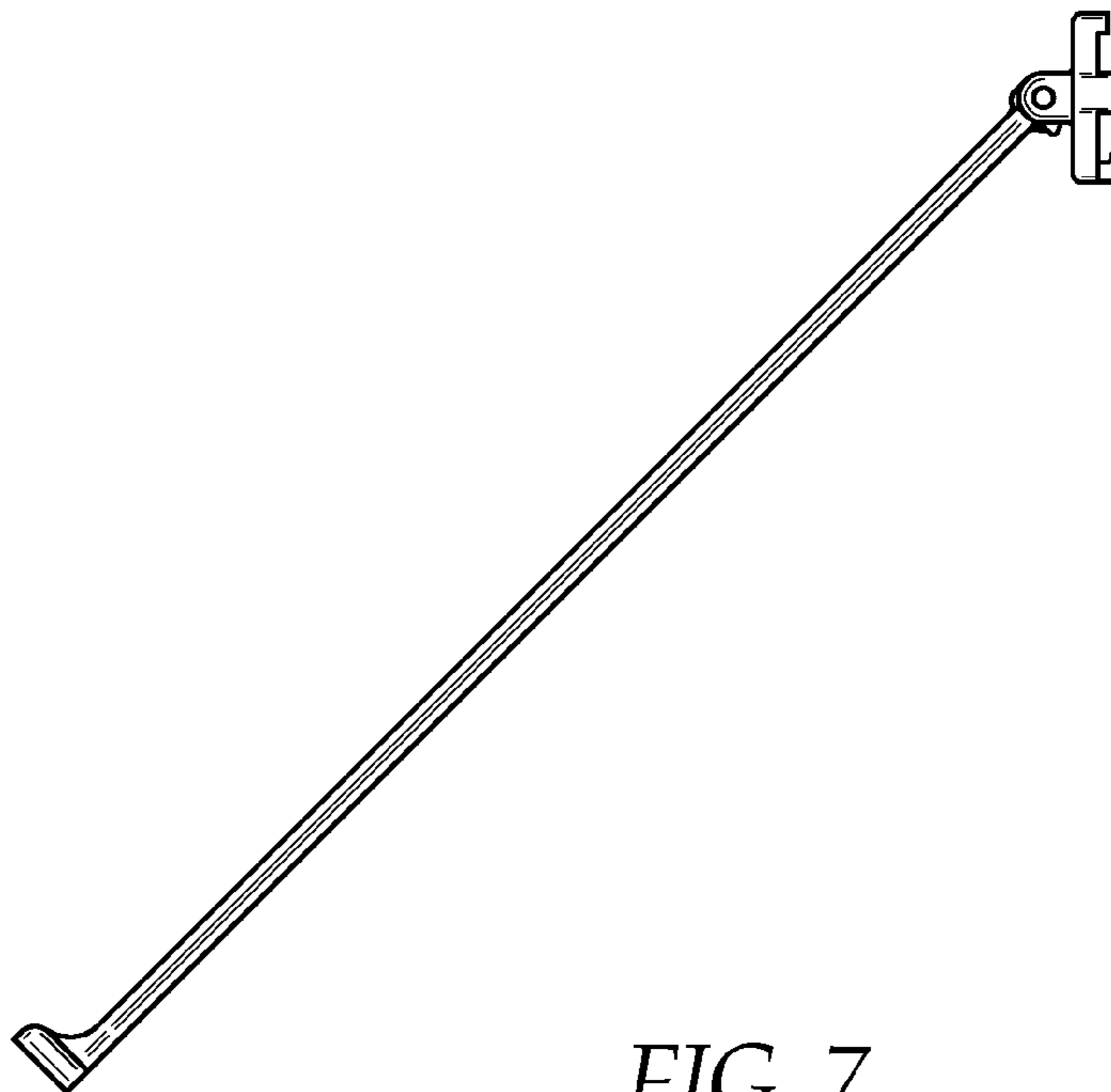


FIG. 5



*FIG. 6*



*FIG. 7*

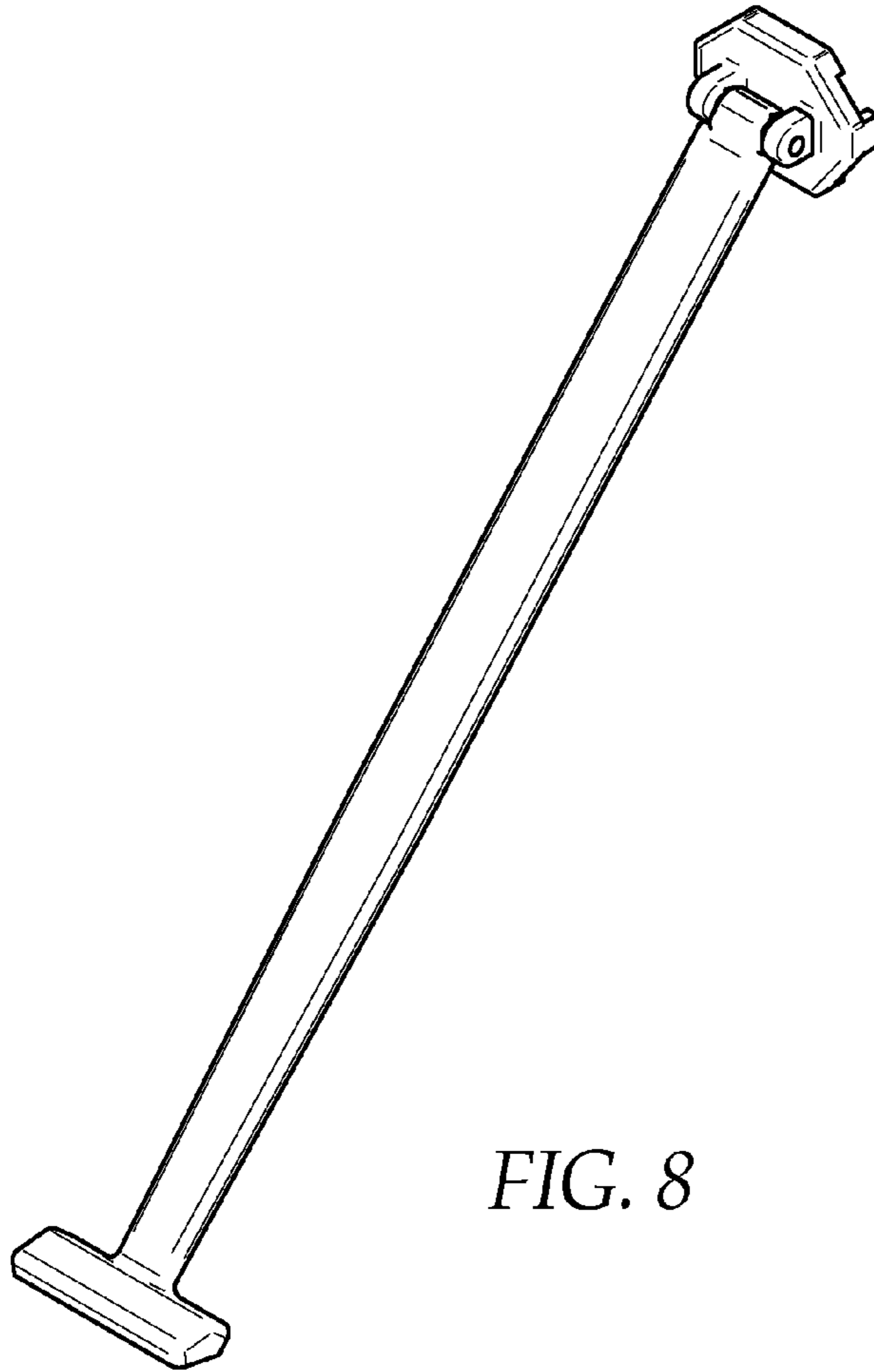
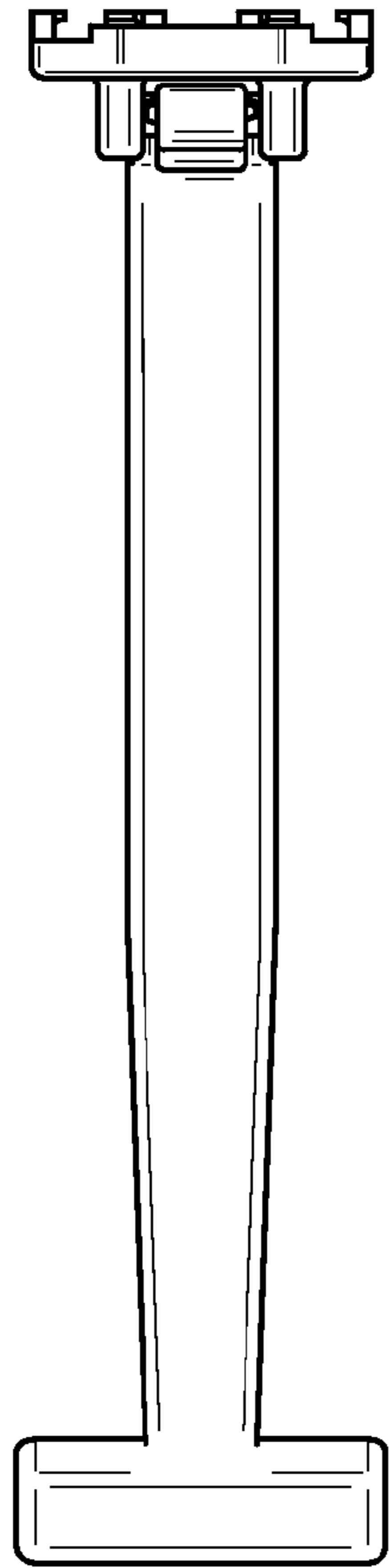
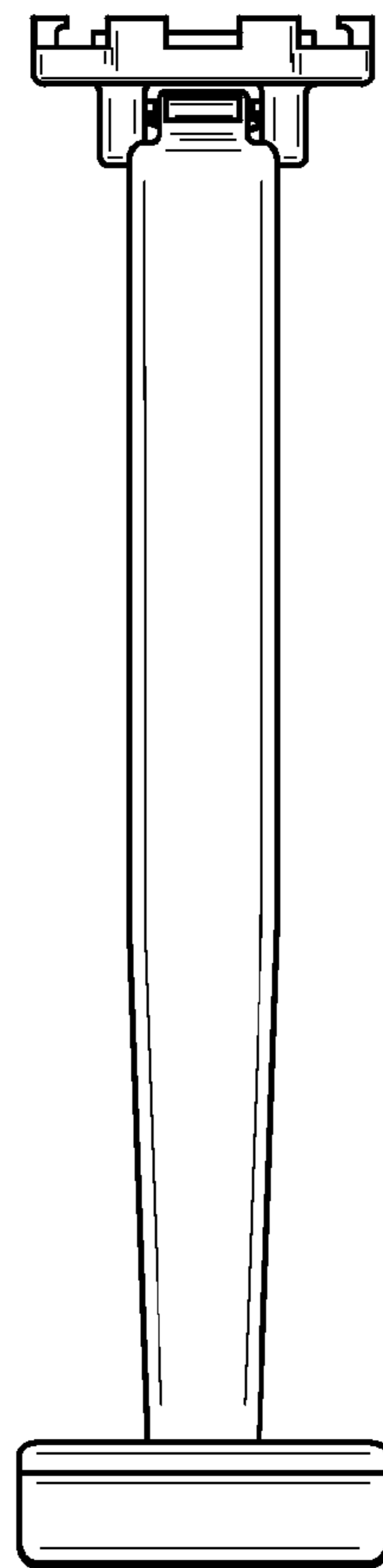


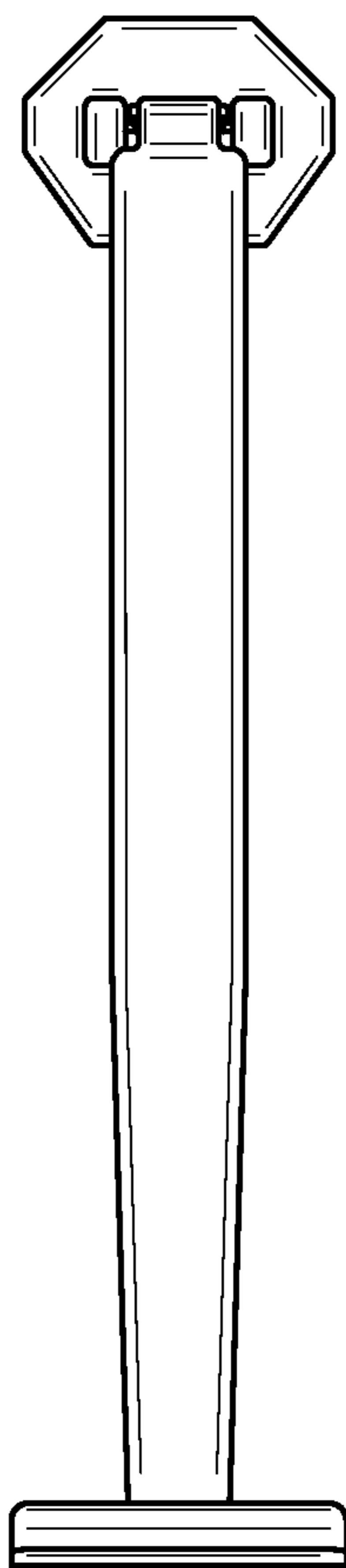
FIG. 8



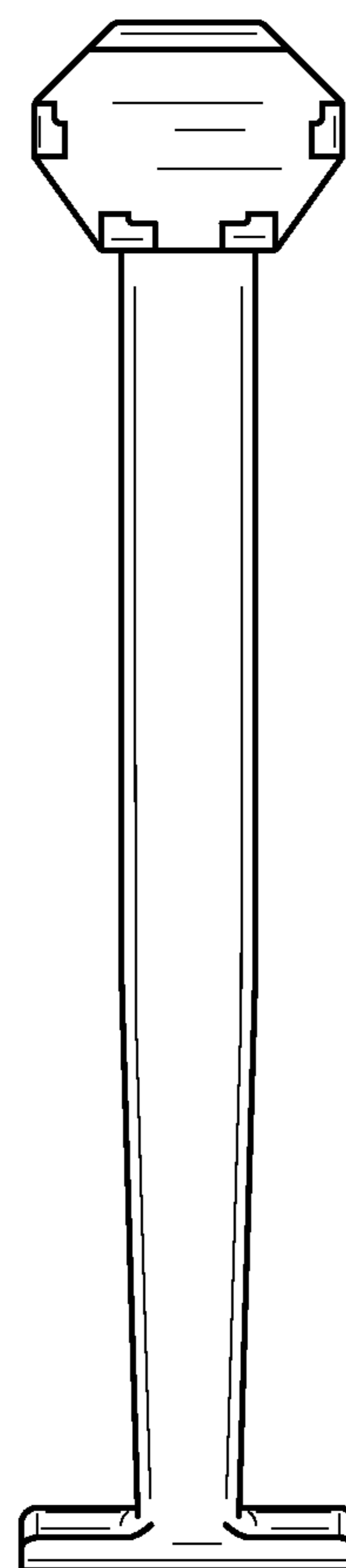
*FIG. 9*



*FIG. 10*



*FIG. 11*



*FIG. 12*



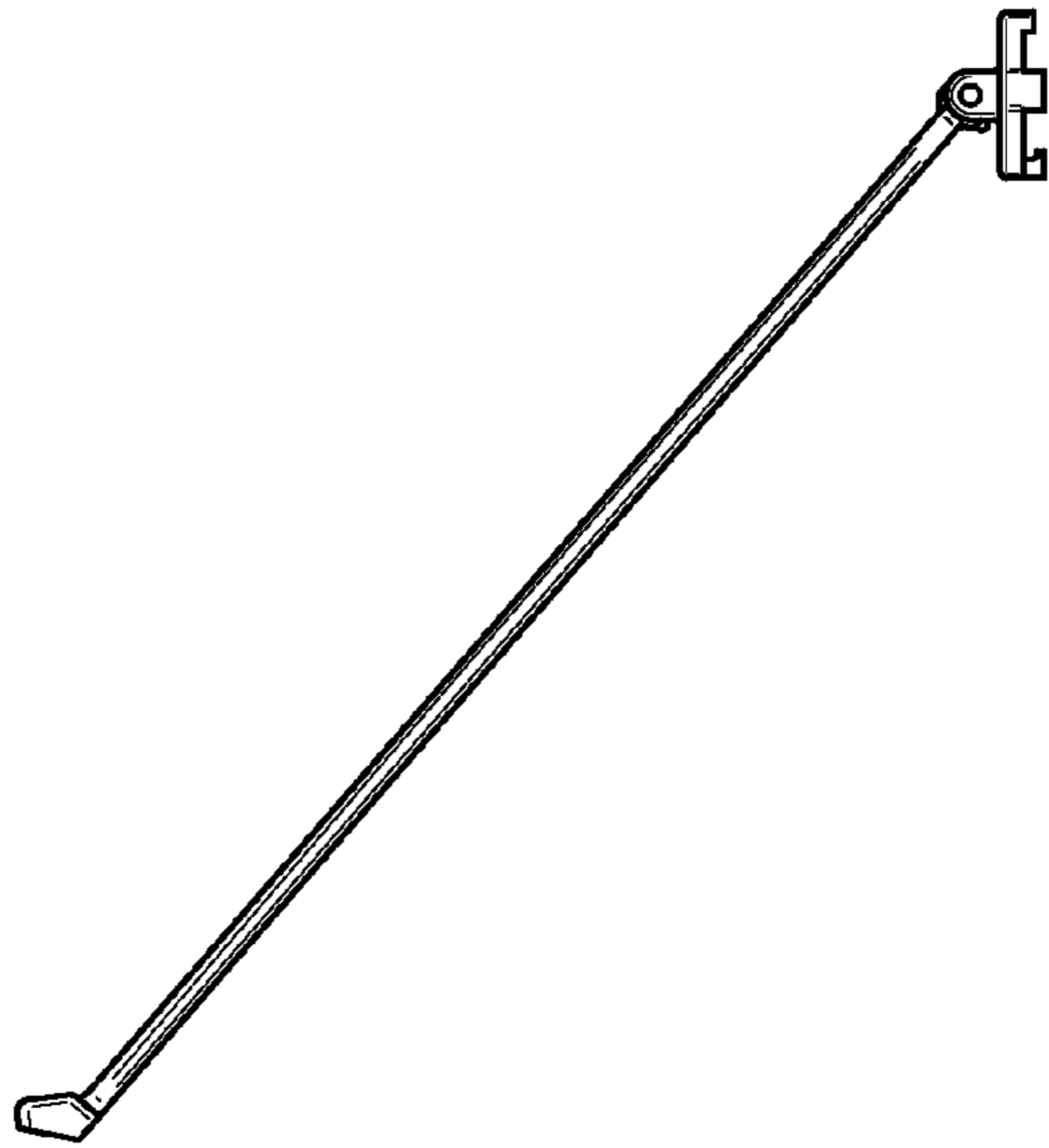


FIG. 13

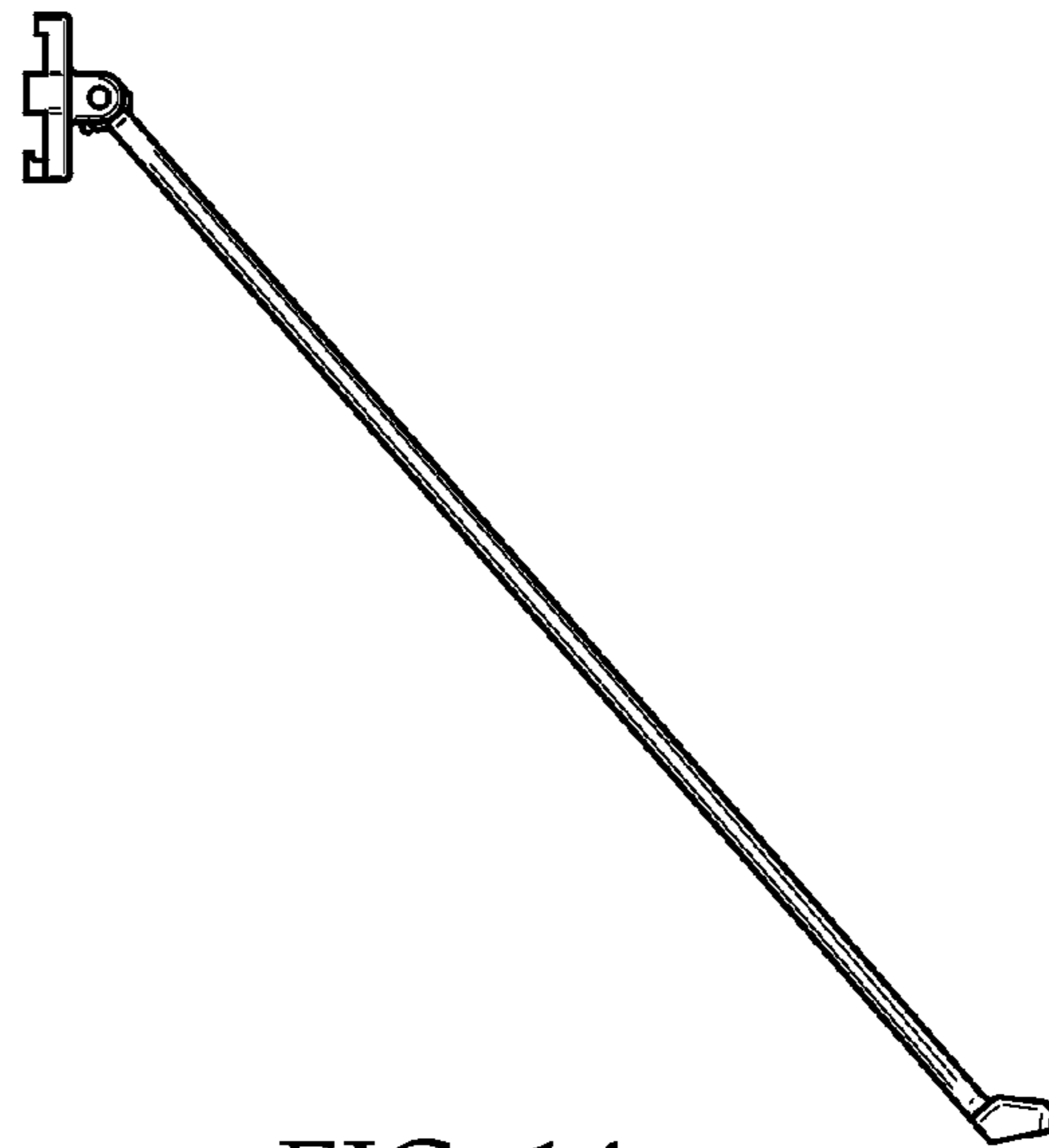


FIG. 14

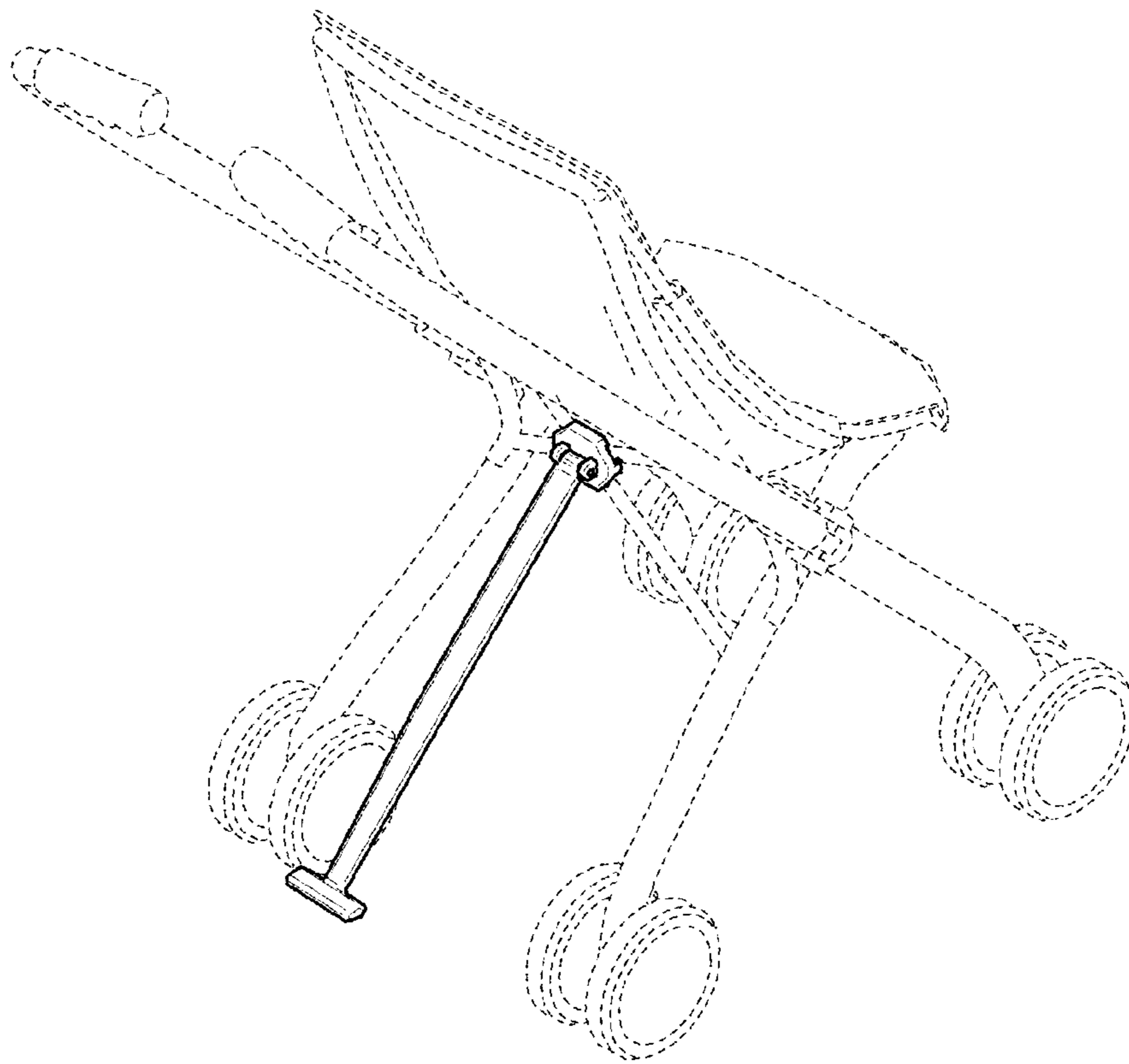


FIG. 15