



US00D730250S

(12) **United States Design Patent**  
**Lodato et al.**

(10) **Patent No.:** **US D730,250 S**  
(45) **Date of Patent:** **\*\* May 26, 2015**

(54) **PERSONAL MOBILITY DEVICE**

- (71) Applicant: **American Learning Systems, Inc.**,  
Plantation, FL (US)
- (72) Inventors: **Franco Lodato**, Weston, FL (US);  
**Massimo Salafia**, Plantation, FL (US);  
**Nicholas James**, Pembroke Pines, FL  
(US); **Bryan Petti**, Davie, FL (US);  
**Nicholas Cioli**, Pembroke Pines, FL  
(US); **Matison Whillans**, Fort  
Lauderdale, FL (US); **Matt Eisner**,  
Hollywood, FL (US); **Austin Bott**,  
Plantation, FL (US); **Miguel Paredes**,  
Pembroke Pines, FL (US); **Will Enright**,  
Pembroke Pines, FL (US); **Stephen**  
**Tyler Sobiewski**, Davie, FL (US); **Matt**  
**Wiener**, Davie, FL (US); **Paul Behar**,  
Miramar, FL (US)
- (73) Assignee: **American Lighting Systems, Inc.**,  
Plantation, FL (US)

(\*\*) Term: **14 Years**

(21) Appl. No.: **29/444,089**

(22) Filed: **Jan. 25, 2013**

(51) **LOC (10) Cl.** ..... **12-12**

(52) **U.S. Cl.**  
USPC ..... **D12/128**

(58) **Field of Classification Search**  
CPC ..... A61G 5/00–5/14  
USPC ..... D12/128–133; 280/62, 647–650, 29,  
280/200, 47.38, 250.1, 259, 642, 658,  
280/304.1; 128/99.1, 100.1, 102.1, 876,  
128/877

See application file for complete search history.

(56) **References Cited**

U.S. PATENT DOCUMENTS

5,028,065	A *	7/1991	Danecker	.....	280/250.1
D321,335	S *	11/1991	Aoki et al.	.....	D12/131
D382,917	S *	8/1997	Brodoski	.....	D21/425
D401,191	S *	11/1998	Gagnon	.....	D12/131
7,182,356	B1 *	2/2007	Haase	.....	280/250.1
D677,606	S *	3/2013	Akre	.....	D12/131

\* cited by examiner

*Primary Examiner* — Ian Simmons

*Assistant Examiner* — Charles Hanson

(74) *Attorney, Agent, or Firm* — Christopher & Weisberg,  
P.A.

(57) **CLAIM**

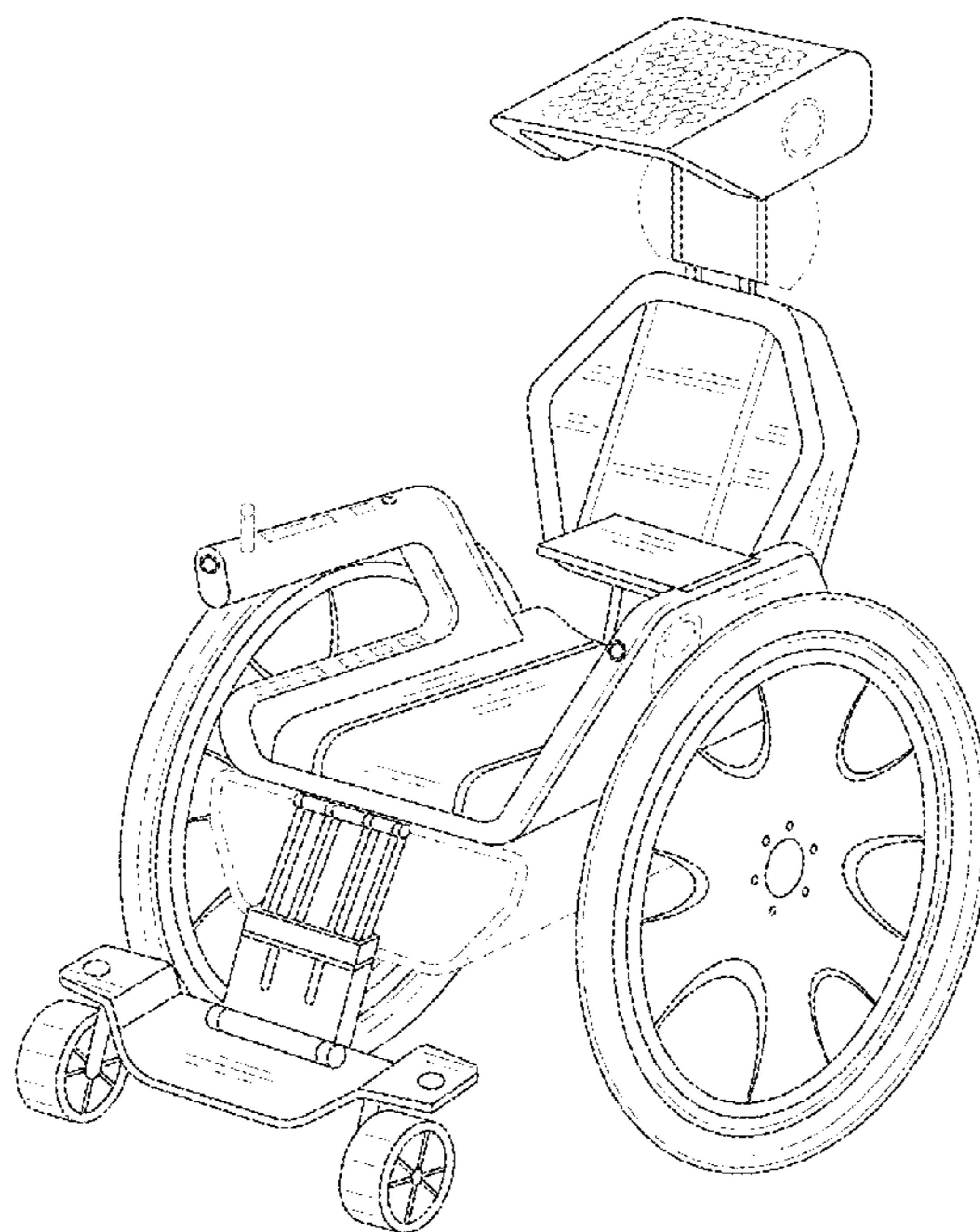
The ornamental design for a personal mobility device, as shown and described.

**DESCRIPTION**

FIG. 1 is a perspective view of a personal mobility device;  
FIG. 2 is a front view thereof;  
FIG. 3 is a back view thereof;  
FIG. 4 is a left side view thereof;  
FIG. 5 is a right side view thereof;  
FIG. 6 is a top view thereof; and,  
FIG. 7 is a bottom view thereof.

The broken lines are included for the purpose of illustrating environmental elements only and form no part of the claimed design.

**1 Claim, 7 Drawing Sheets**



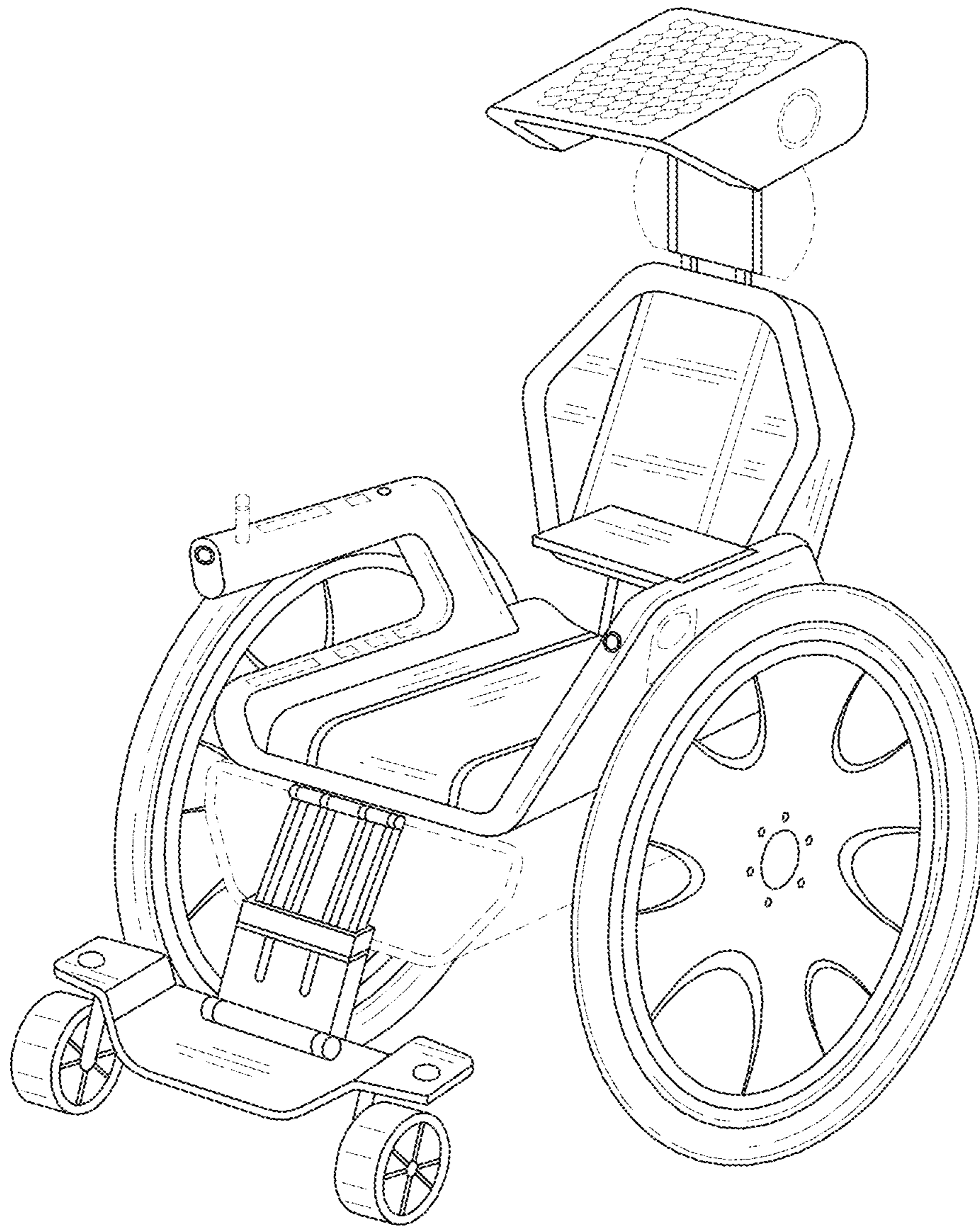


FIG. 1

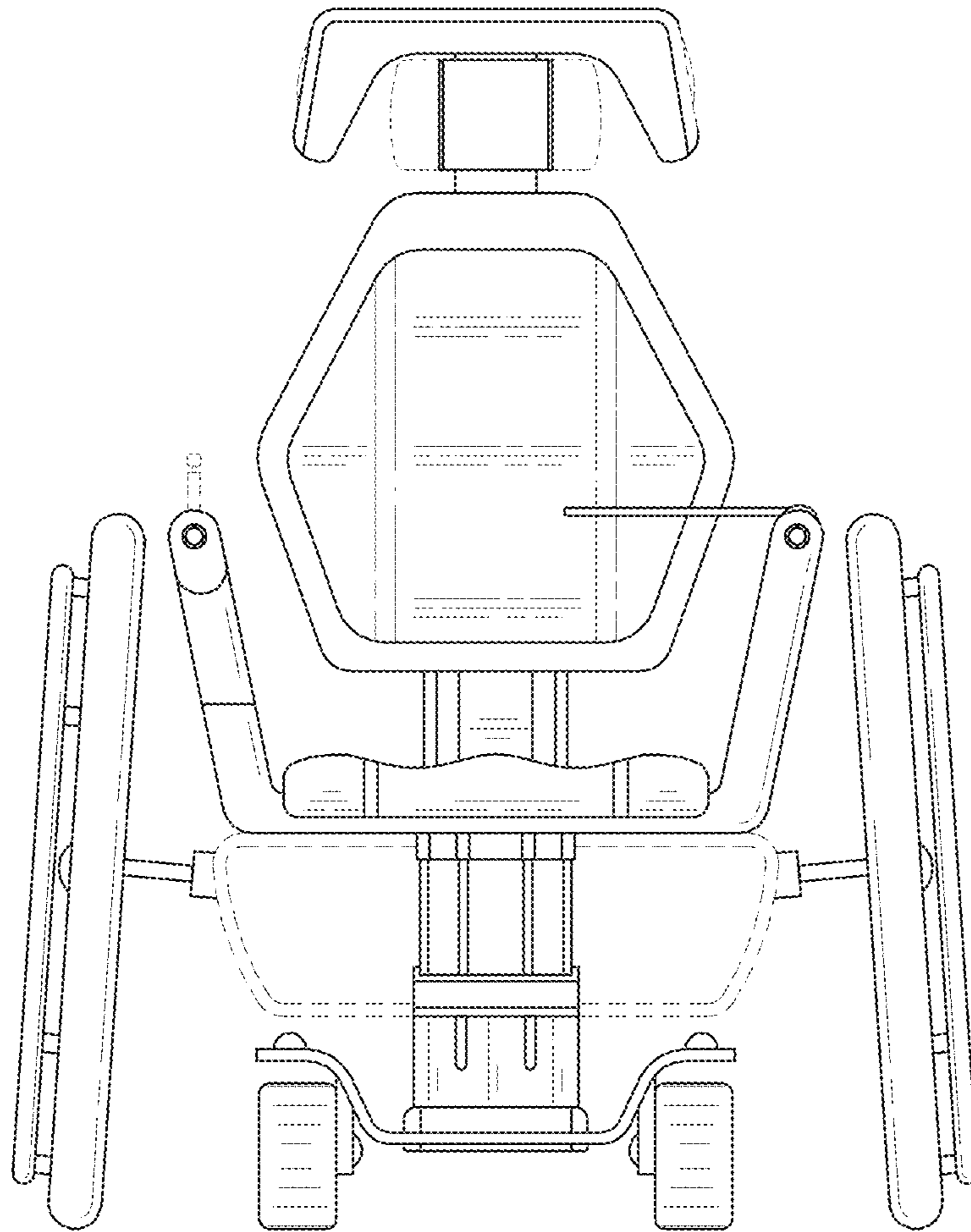


FIG. 2

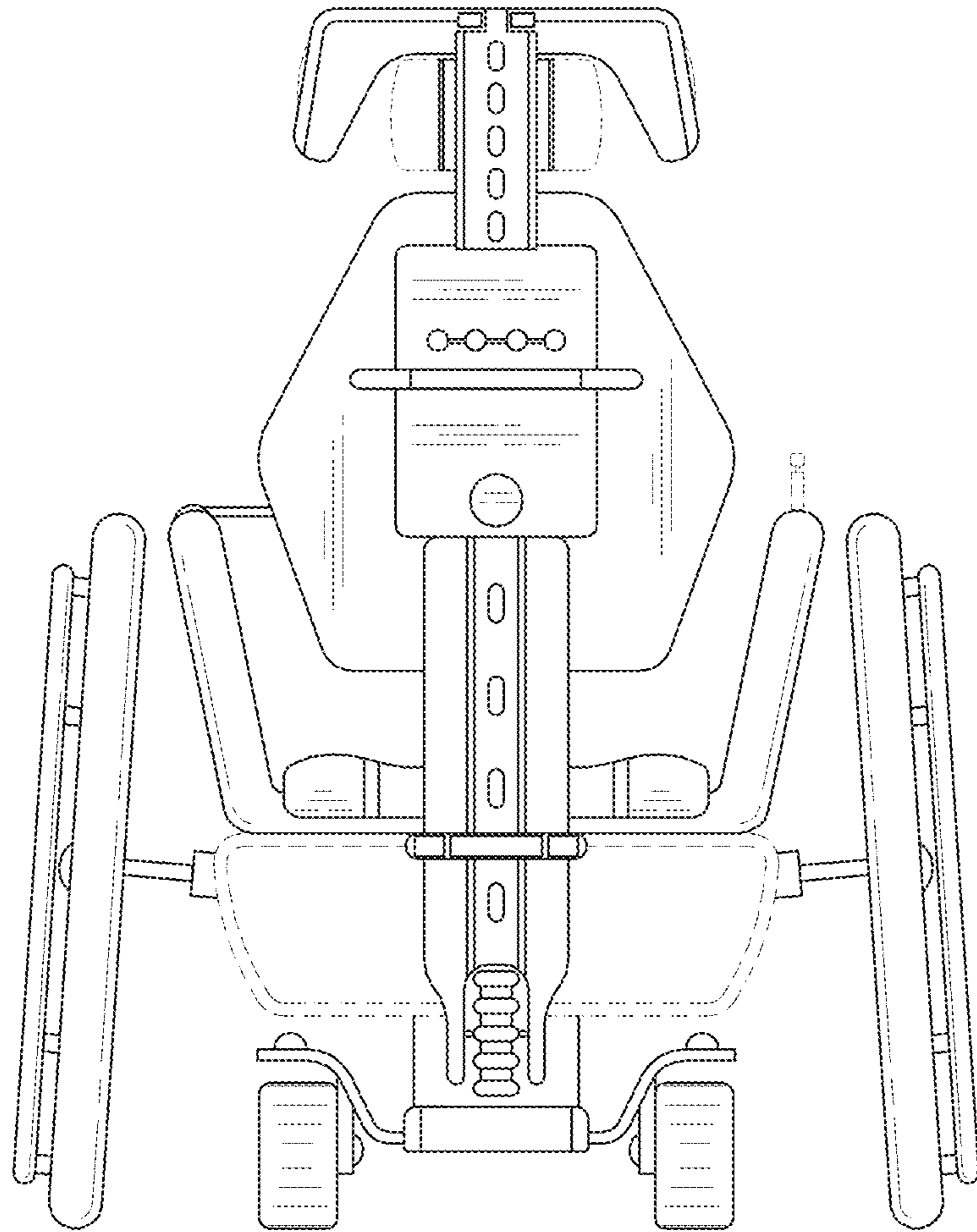


FIG. 3

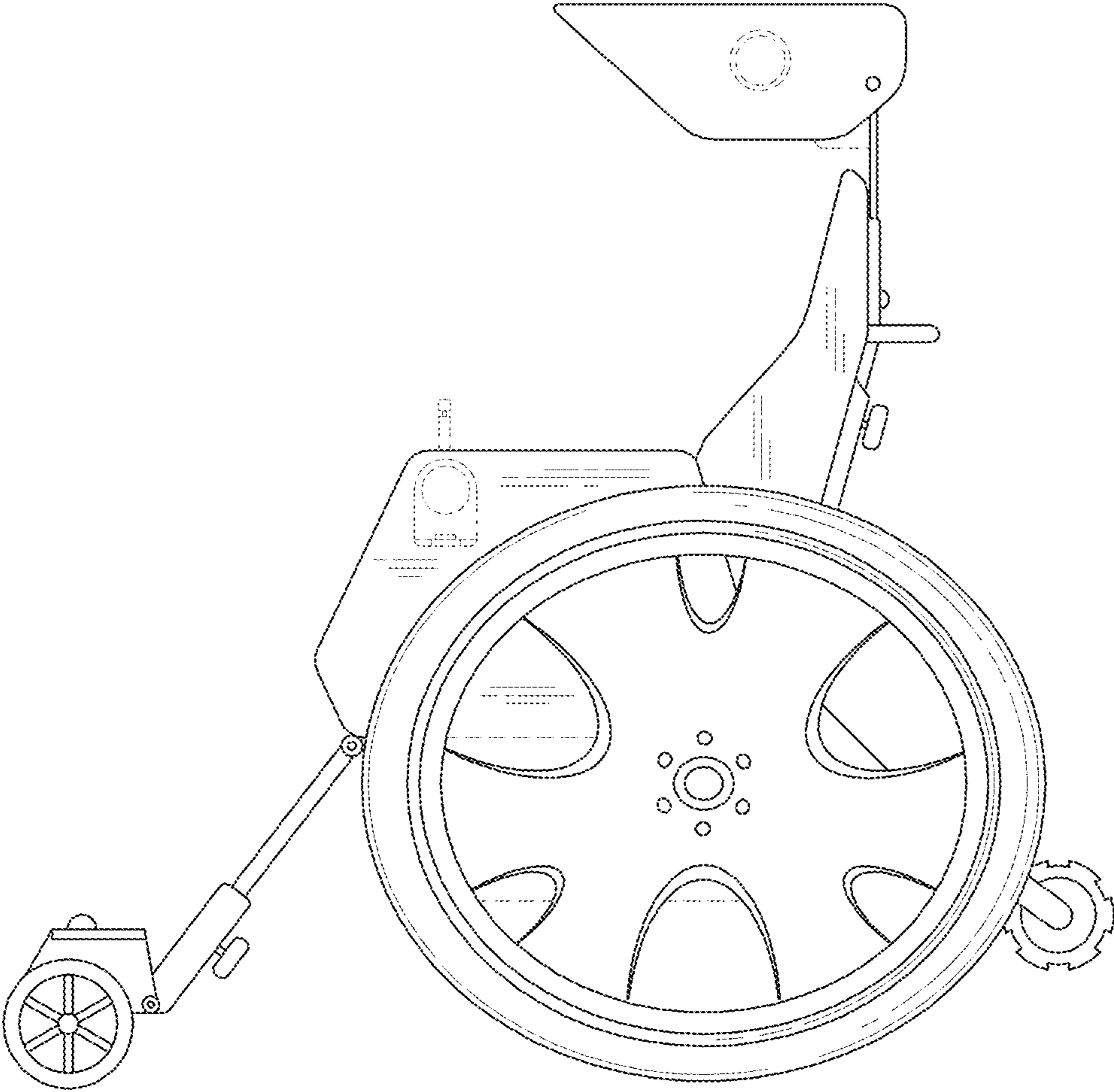


FIG. 4

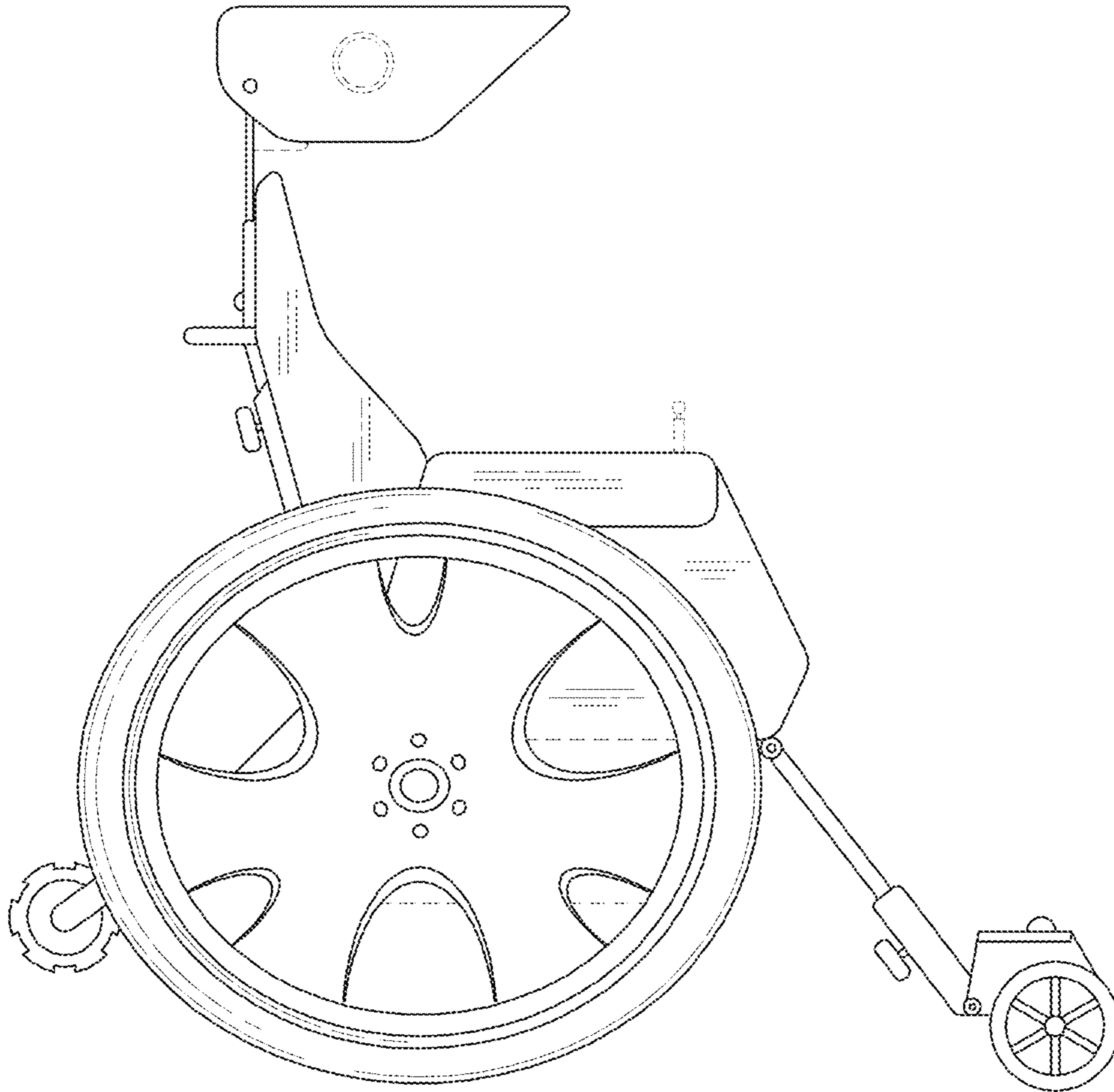


FIG. 5

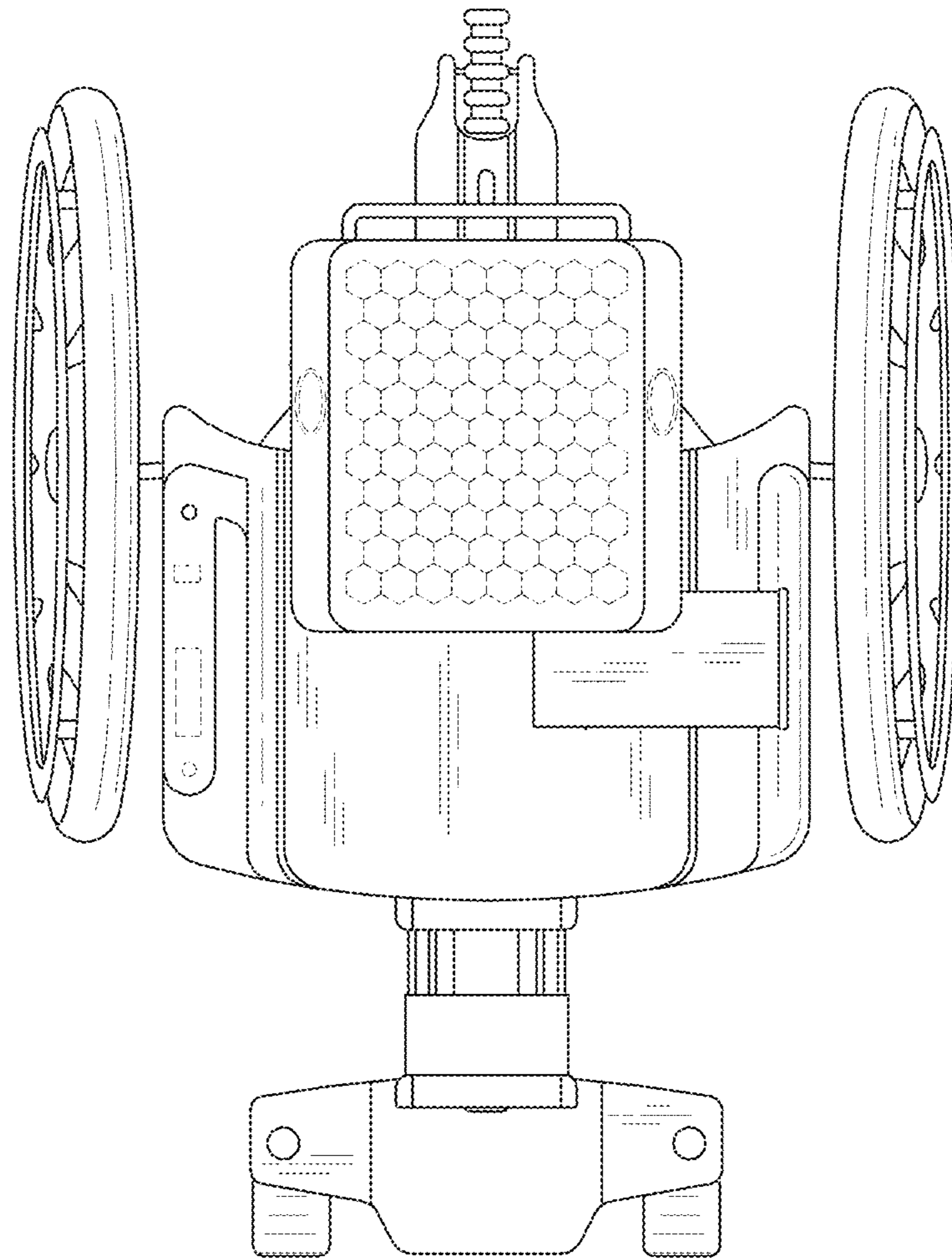


FIG. 6

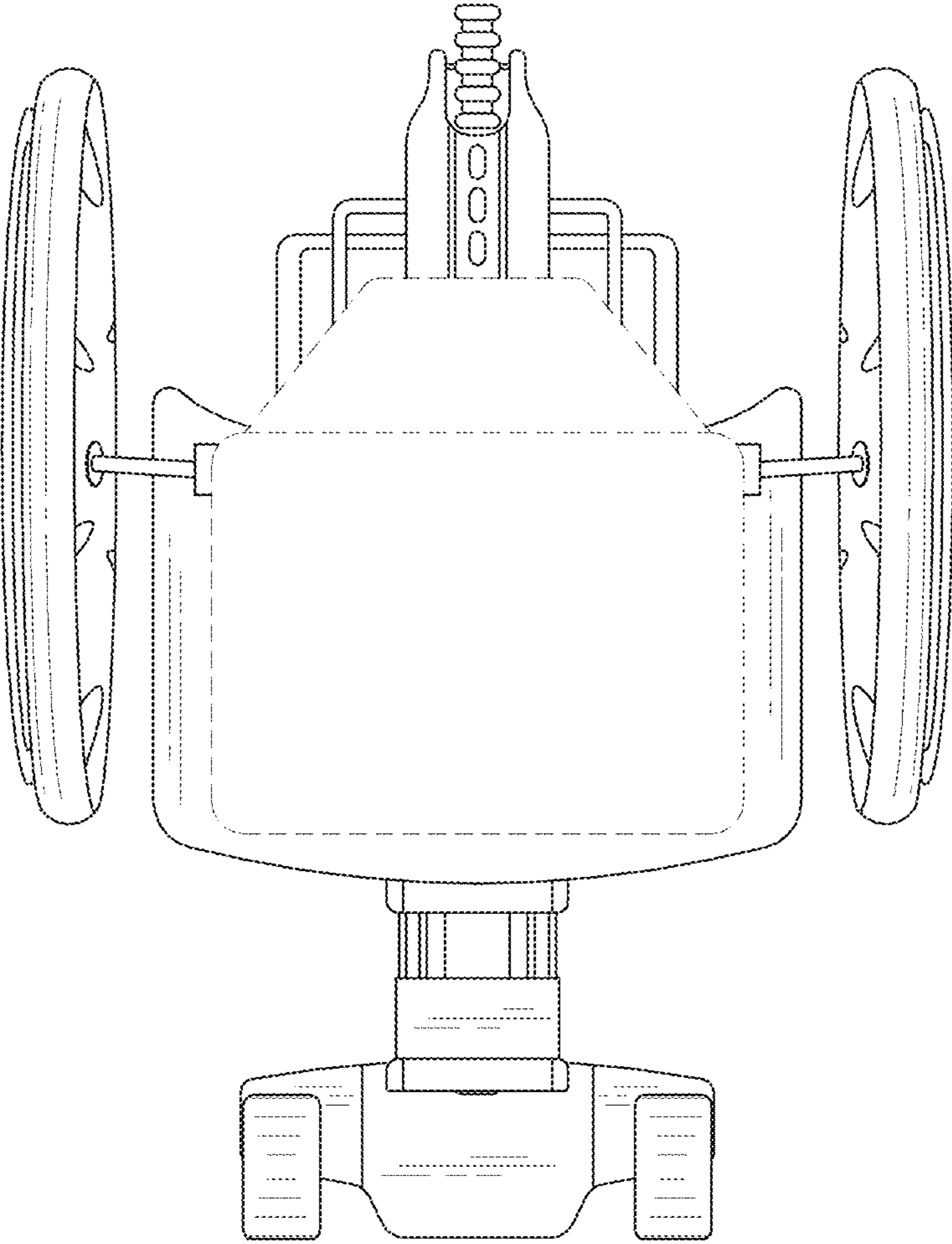


FIG. 7