

US00D730248S

(12) **United States Design Patent**
Baron

(10) **Patent No.:** **US D730,248 S**

(45) **Date of Patent:** **** May 26, 2015**

(54) **FOOT REST FOR A TRICYCLE**

(56) **References Cited**

(71) Applicant: **SMART TRIKE MNF PTE LTD.**,
Singapore (SG)

U.S. PATENT DOCUMENTS

(72) Inventor: **Yoram Baron**, Moshav Nir Israel (IL)

4,865,337	A *	9/1989	Disler et al.	280/7.1
D571,866	S *	6/2008	On	D21/435
D604,777	S *	11/2009	On	D21/435
D627,265	S *	11/2010	On	D12/112
8,313,117	B2 *	11/2012	Khare et al.	280/270
8,764,041	B1 *	7/2014	Baron	280/288.4
8,844,960	B2 *	9/2014	Young et al.	280/278
8,864,161	B2 *	10/2014	Baron	280/288.4
2003/0201621	A1 *	10/2003	Jang	280/293
2012/0007330	A1 *	1/2012	Kettler et al.	280/210
2014/0217696	A1 *	8/2014	Bartels	280/274

(73) Assignee: **Smart Trike MNF Pte Ltd.**, Singapore
(SG)

(**) Term: **14 Years**

* cited by examiner

(21) Appl. No.: **29/472,746**

(22) Filed: **Nov. 15, 2013**

(30) **Foreign Application Priority Data**

Primary Examiner — Robert M Spear

Assistant Examiner — Ryan Harvey

May 30, 2013 (IL) 54072

(74) *Attorney, Agent, or Firm* — Roach Brown McCarthy &
Gruber, P.C.; Kevin D. McCarthy

(51) **LOC (10) Cl.** **12-11**

(52) **U.S. Cl.**
USPC **D12/121**

(57) **CLAIM**

The ornamental design for a foot rest for a tricycle, as shown and described.

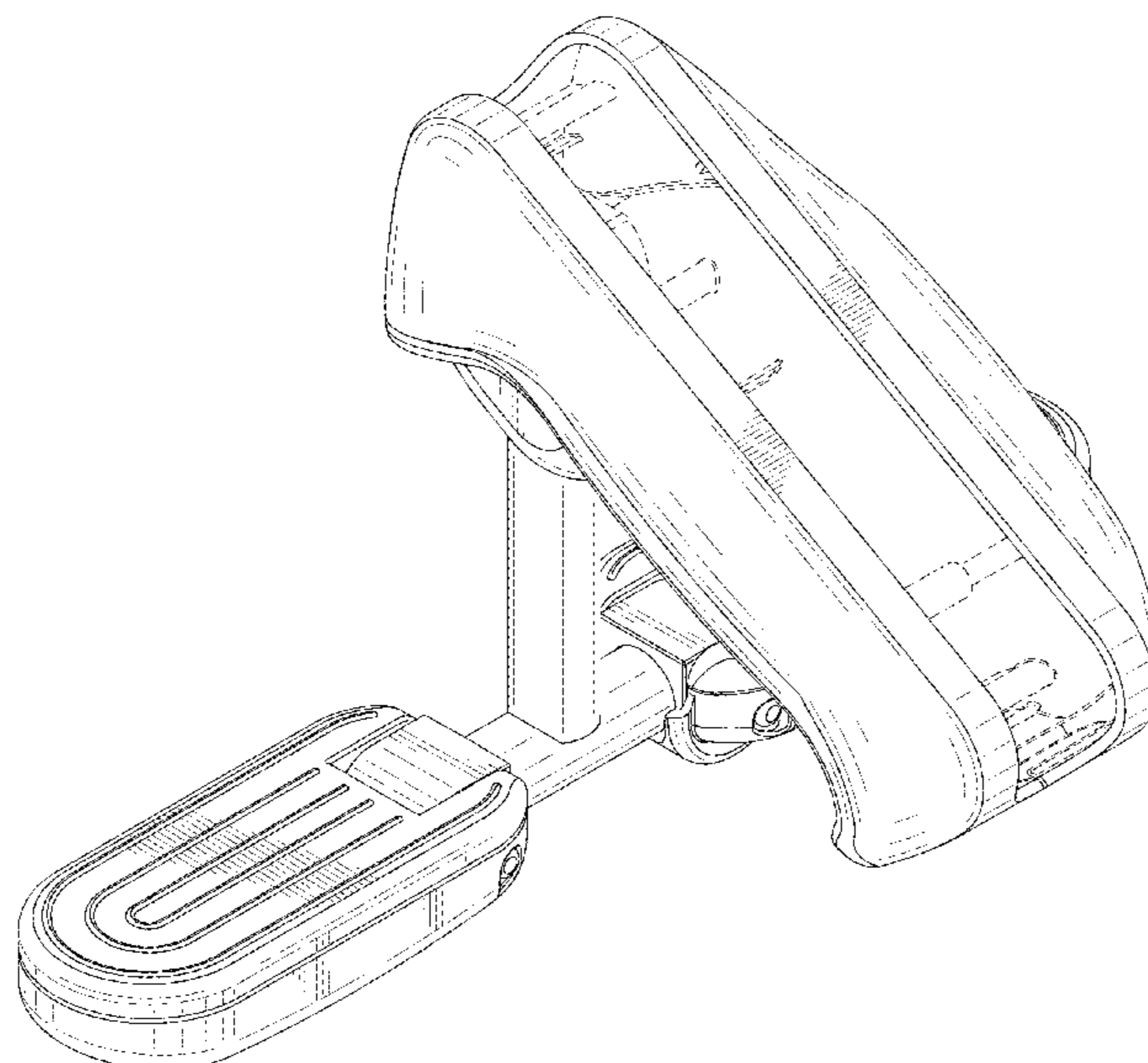
(58) **Field of Classification Search**
USPC D12/112, 107, 113; D34/24; D21/435,
D21/667; 280/282, 259, 288.4, 210, 62,
280/278, 279, 287, 288, 270, 263, 272, 292,
280/293, 87.01, 249, 87.041, 1.188, 304.5,
280/47.11, 30, 47.371, 7.17, 47.38, 7.15,
280/47.26, 47.18, 7.1, 87.1, 240, 211,
280/242.1, 291, 295, 325, 621, 622, 623,
280/624, 625, 626, 627, 628, 629, 200,
280/47.34; 301/110.5, 2.5, 6.5; 74/594.1,
74/551.8; 315/313; 362/184, 543;
297/215.14, 344.11, 184.1; 273/129 R,
273/118 R; 293/120, 127; 403/57, 22, 282,
403/268; 446/465, 94; 135/117, 125, 155,
135/88.04; 248/160

DESCRIPTION

FIG. 1 is a perspective view of the back, left side view of a foot rest for a tricycle of the applicant's design;
FIG. 2 is a top view thereof;
FIG. 3 is a bottom view thereof;
FIG. 4 is a front side view thereof;
FIG. 5 is a back side view thereof;
FIG. 6 is a right side view thereof; and,
FIG. 7 is a left side view of the foot rest for the tricycle.
The broken lines illustrate portions of the article that form no part of the claimed design.

See application file for complete search history.

1 Claim, 7 Drawing Sheets



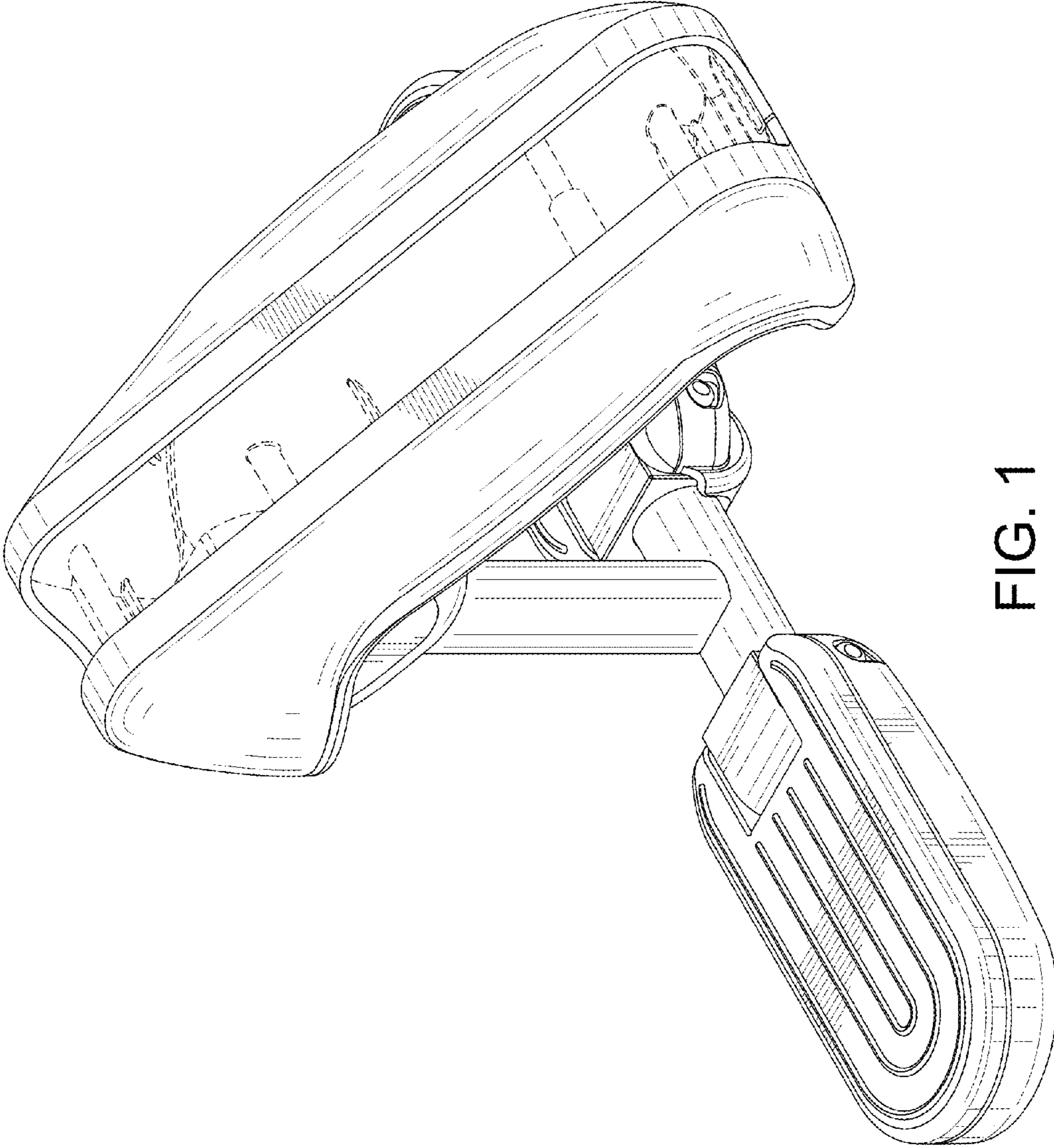


FIG. 1

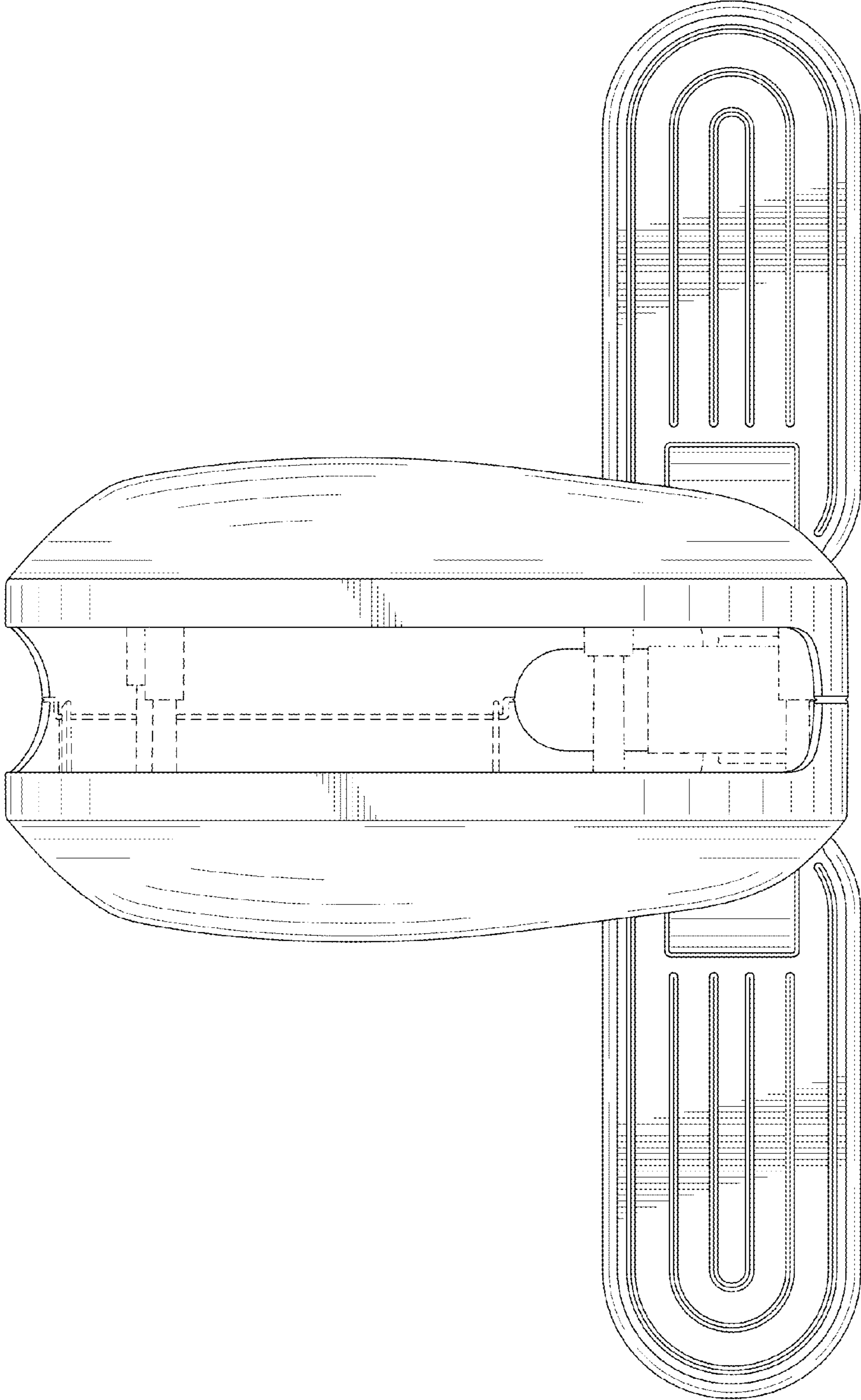


FIG. 2

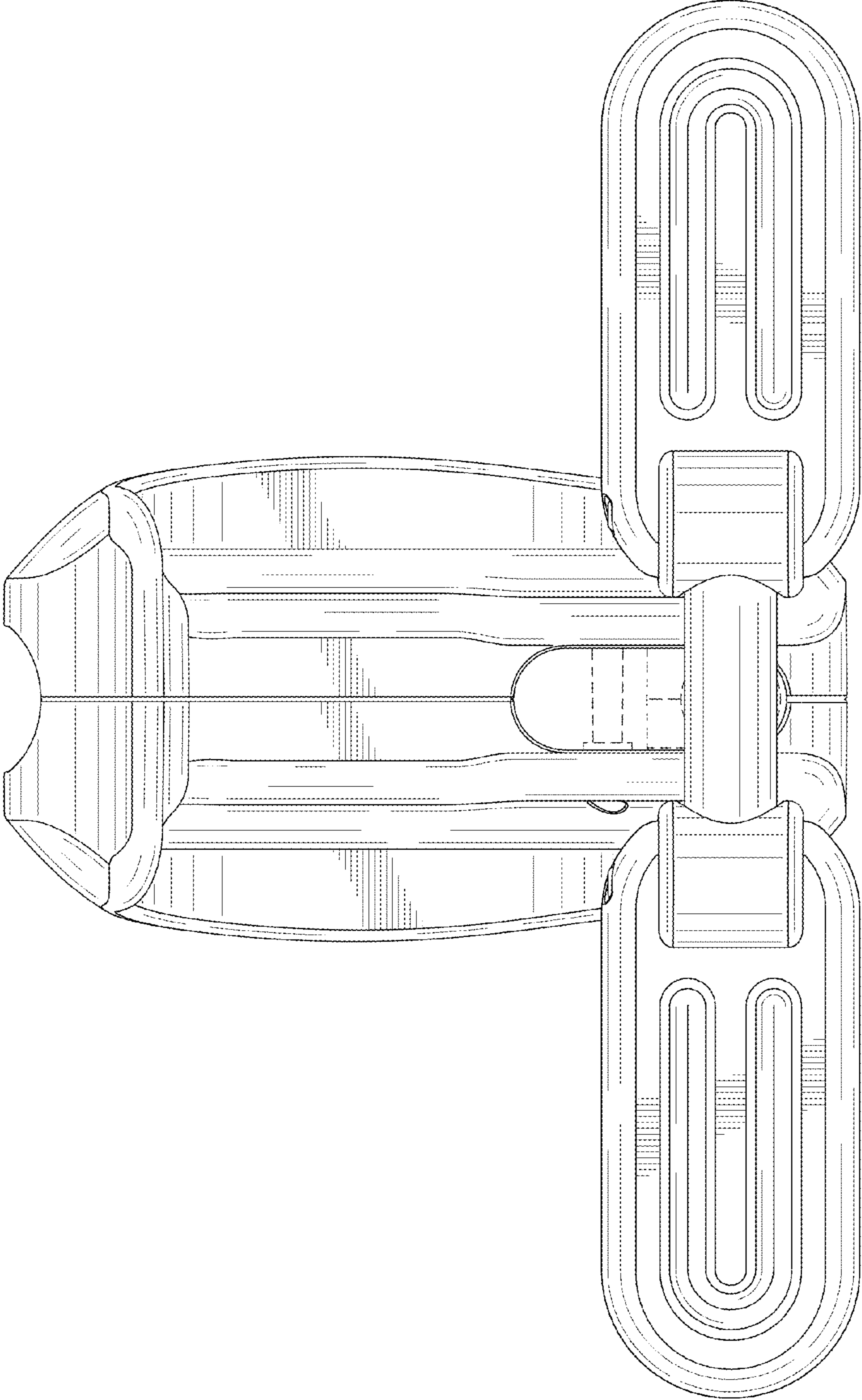


FIG. 3

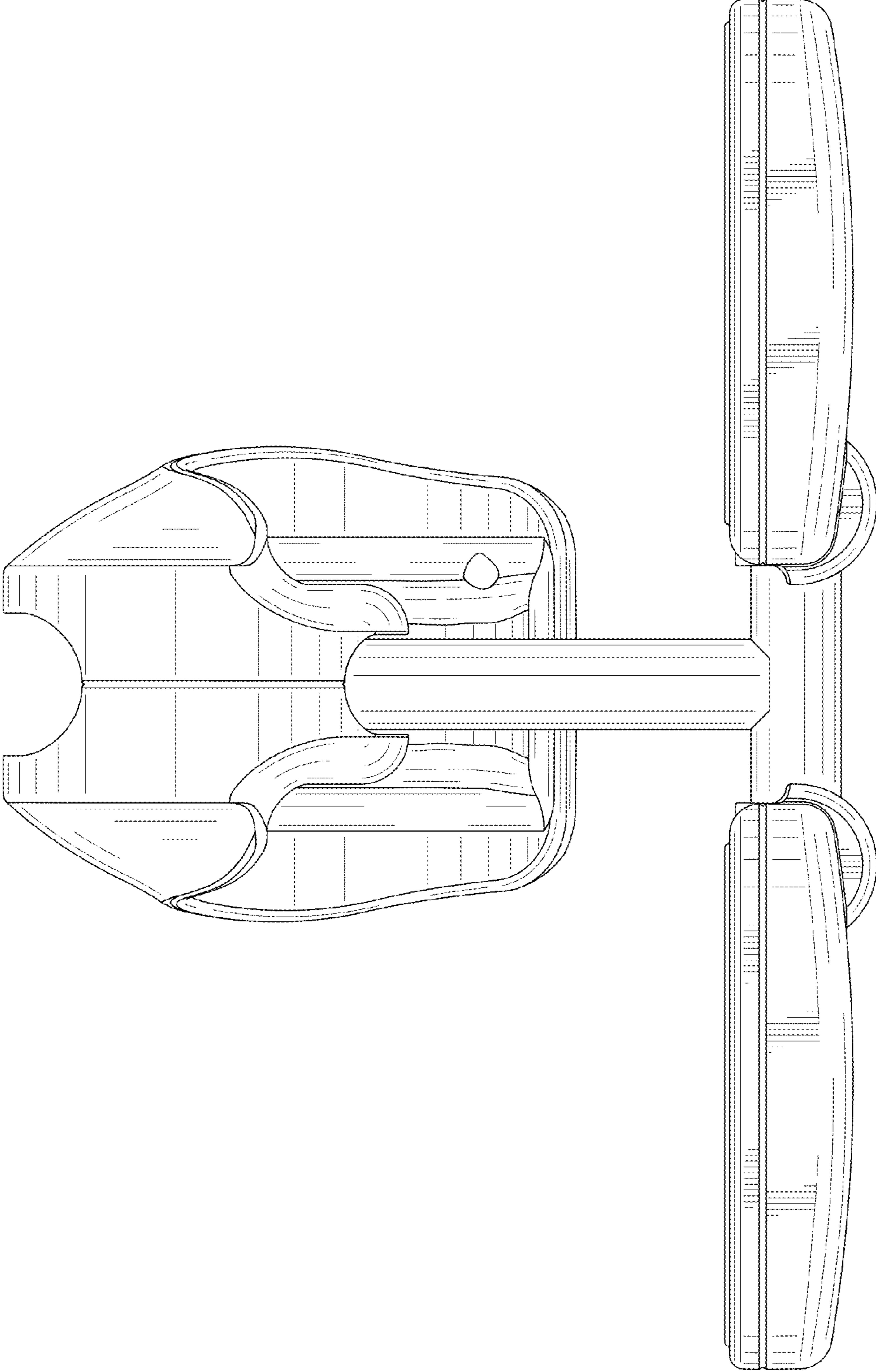


FIG. 4

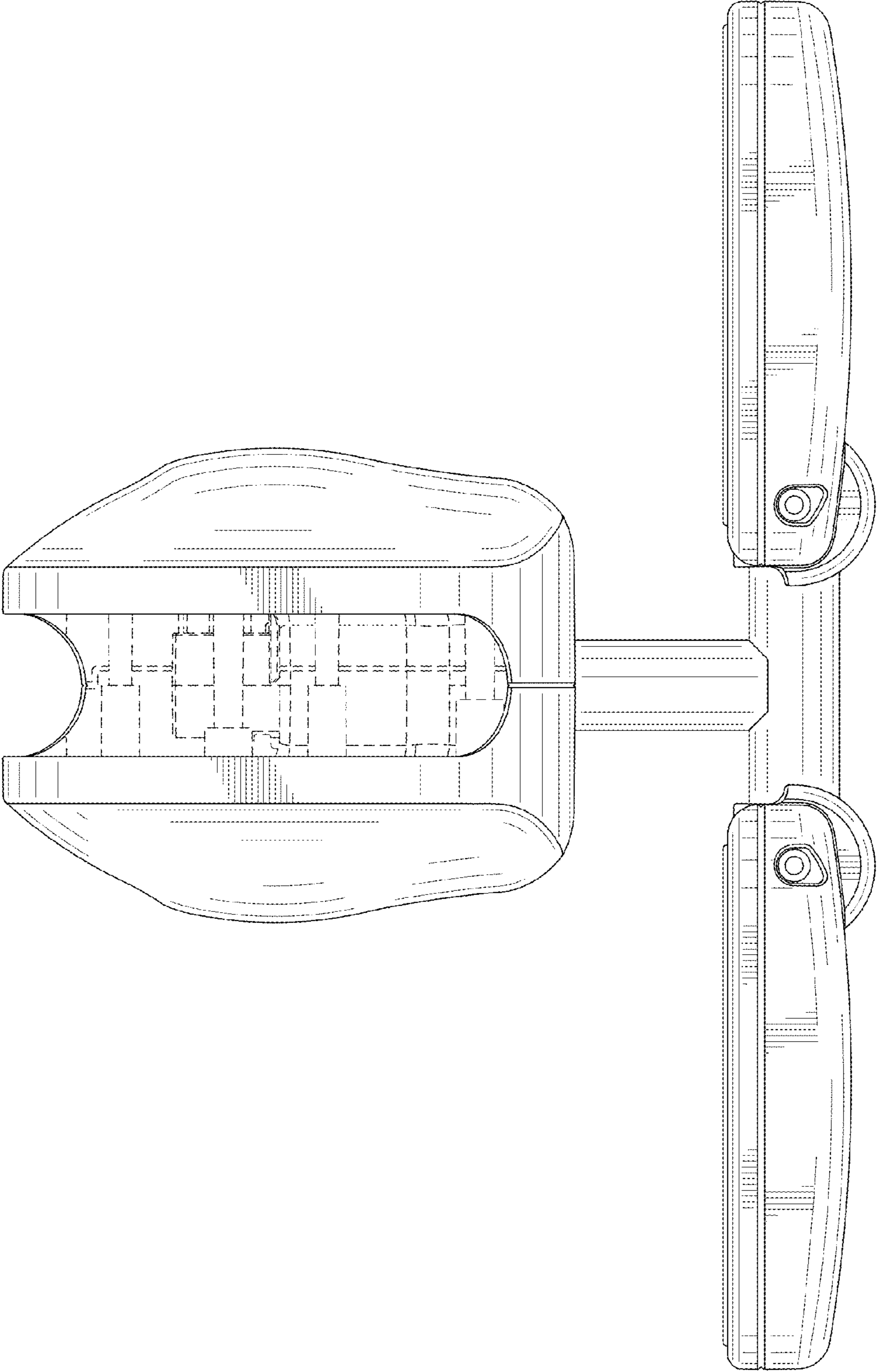


FIG. 5

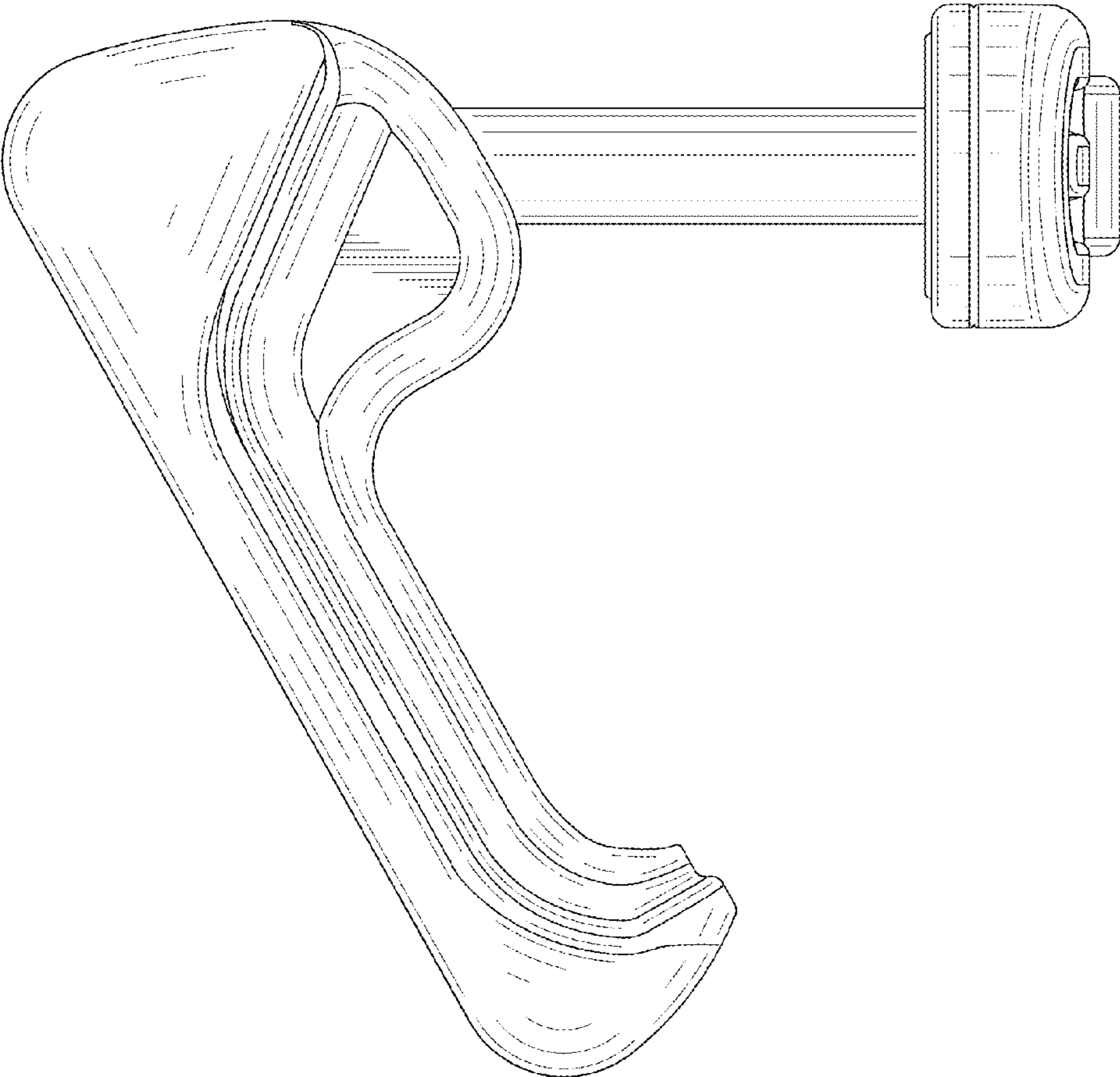


FIG. 6

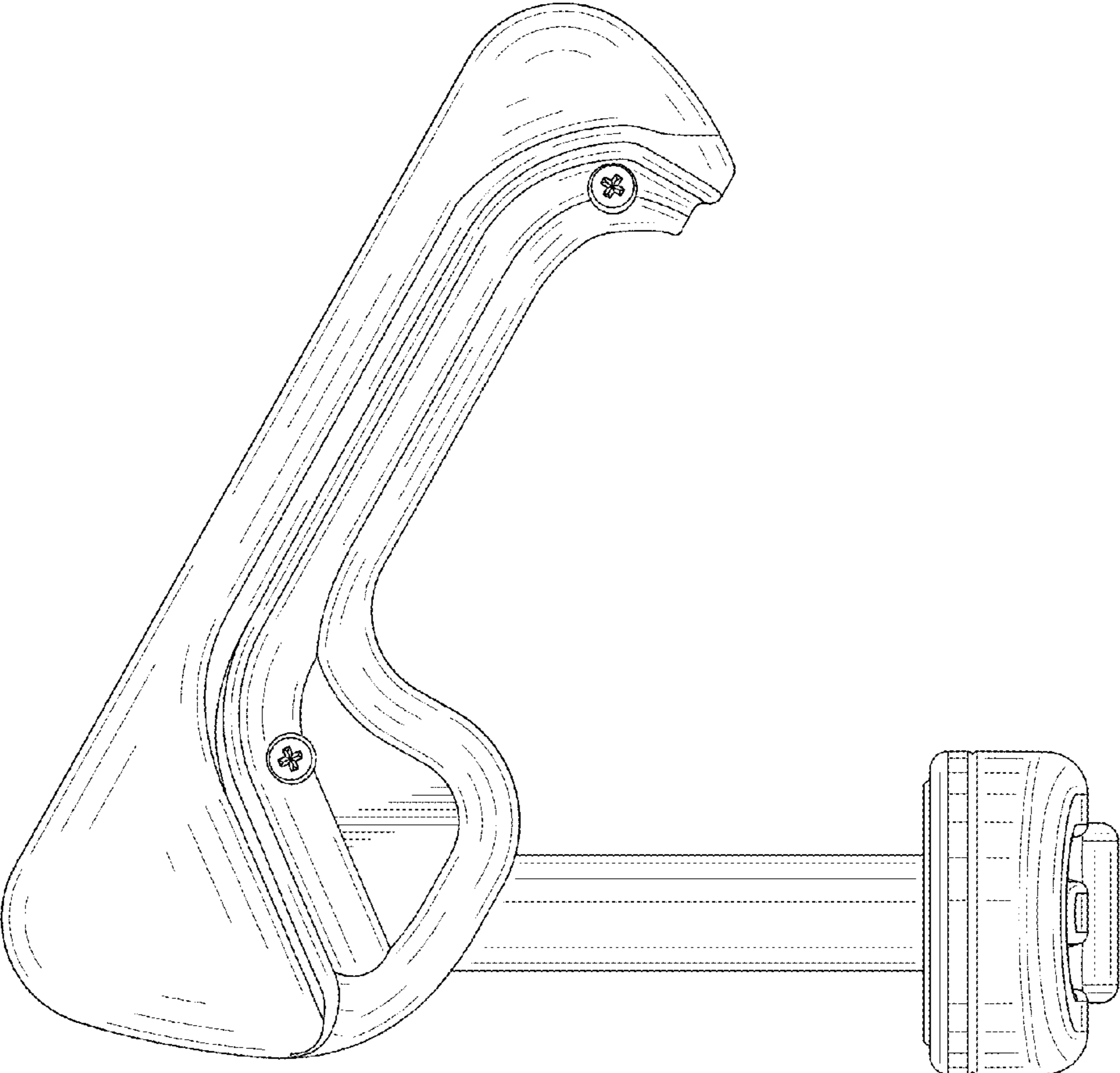


FIG. 7