



US00D730247S

(12) **United States Design Patent**  
**Weeks**

(10) **Patent No.:** **US D730,247 S**

(45) **Date of Patent:** **\*\* May 26, 2015**

(54) **BICYCLE RACK**

(71) Applicant: **Brian L. Weeks**, Prairie du Sac, WI (US)

(72) Inventor: **Brian L. Weeks**, Prairie du Sac, WI (US)

(73) Assignee: **Graber Manufacturing, Inc.**,  
Waunakee, WI (US)

(\*\*) Term: **14 Years**

(21) Appl. No.: **29/451,052**

(22) Filed: **Mar. 27, 2013**

(51) **LOC (10) Cl.** ..... **12-11**

(52) **U.S. Cl.**  
USPC ..... **D12/115**

(58) **Field of Classification Search**

CPC ..... B62H 3/00; B62H 3/10; B62D 43/02;  
B60R 9/06; F16M 13/00

USPC ..... D12/115, 120; 211/5, 17-22; 280/293;  
224/42.11, 42.12, 42.13, 42.26, 309,  
224/324, 325, 533, 545, 924; 248/176.1,  
248/309.1

See application file for complete search history.

(56) **References Cited**

**U.S. PATENT DOCUMENTS**

D263,945	S	*	4/1982	Voegeli	.....	D12/115
D327,666	S	*	7/1992	Carlson	.....	D12/115
D391,902	S	*	3/1998	Pappas	.....	D12/115
D409,134	S	*	5/1999	Will	.....	D12/407
5,917,407	A		6/1999	Squire et al.		
D467,220	S		12/2002	Walstrom et al.		
D497,873	S	*	11/2004	Graber	.....	D12/407
D543,906	S		6/2007	Hoadley et al.		
D585,793	S	*	2/2009	Skalka	.....	D12/115
D602,403	S		10/2009	Shaha et al.		
7,857,177	B2		12/2010	Reeves et al.		
D666,537	S		9/2012	Hoadley et al.		
D678,131	S	*	3/2013	Hoadley et al.	.....	D12/115
D715,698	S	*	10/2014	Weeks	.....	D12/115

D719,491	S	*	12/2014	Rayl et al.	.....	D12/115
2003/0209582	A1		11/2003	Reeves		
2004/0251219	A1	*	12/2004	Zimmerman	.....	211/17
2006/0060622	A1		3/2006	Prenger		
2006/0266717	A1	*	11/2006	Tsai	.....	211/17
2013/0264297	A1		10/2013	Long		
2014/0083960	A1	*	3/2014	Weeks	.....	211/20
2014/0183237	A1		7/2014	Wolfe et al.		

**OTHER PUBLICATIONS**

“Single-Bike Stand.” Rudy Rack., Apr. 10, 2011 [online], [retrieved on Dec. 17, 2014]. Retrieved from the Internet <URL: <http://www.rudyrack.com/rack-singlebikestaand.htm>>.\*

“PBS-2R Floor Bike Stand” Racor—Home Storage Products., Dec. 6, 2011 [online], [retrieved on Dec. 17, 2014]. Retrieved from the Internet <URL: <http://www.racorstoragesolutions.com/p/detail/pbs-2r?AspxAutoDetectCookieSupport=1>>.\*

(Continued)

*Primary Examiner* — Celia Murphy

*Assistant Examiner* — Darlington Ly

(74) *Attorney, Agent, or Firm* — Stiennon & Stiennon

(57) **CLAIM**

The ornamental design for a bicycle rack, as shown and described.

**DESCRIPTION**

FIG. 1 is a rear isometric view of the bicycle rack of my design;

FIG. 2 is a left side elevation view thereof;

FIG. 3 is a front elevation view thereof;

FIG. 4 is a top plan view thereof;

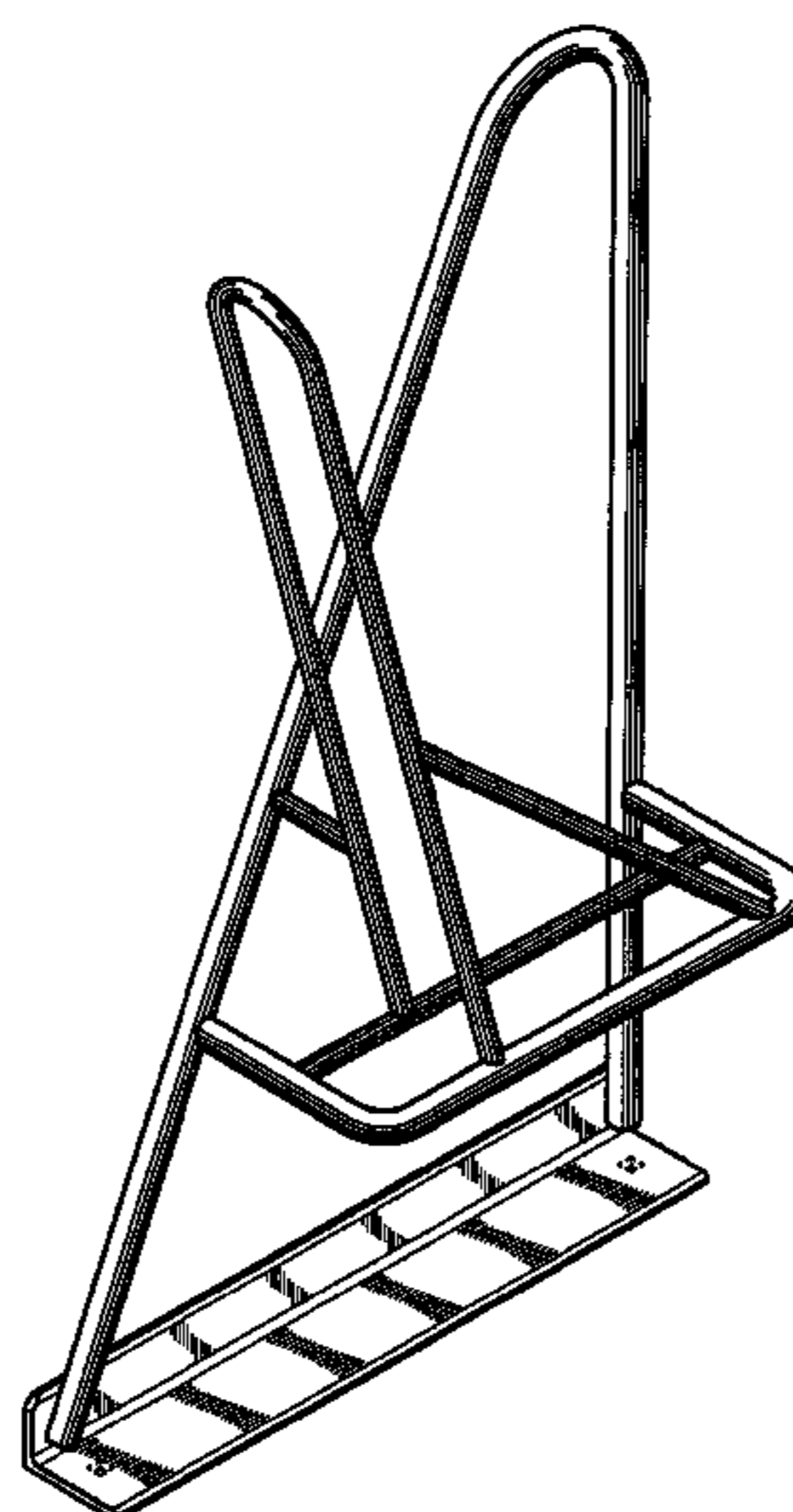
FIG. 5 is a right side elevation view thereof;

FIG. 6 is a rear elevation view thereof; and,

FIG. 7 is a bottom plan view thereof.

The broken line showing of a pair of bolt holes is included for the purpose of illustrating environmental structure and forms no part of the claimed design.

**1 Claim, 2 Drawing Sheets**



(56)

**References Cited**

OTHER PUBLICATIONS

<http://www.regardingjohn.com/blog/bike-racks/> "A Case for Functional Design," Oct. 8, 2008 UW duck-bill bike rack.

Madrax UWD-19: University of Wisconsin Madison Duckbill Bike Rack 19 Bike Double Rack, Feb. 2012.

Madrax "Bicycle Parking That Reflects Your Vision", cover, pp. 19, 20, and 21, © 2011 Trilary, Inc.,

\* cited by examiner

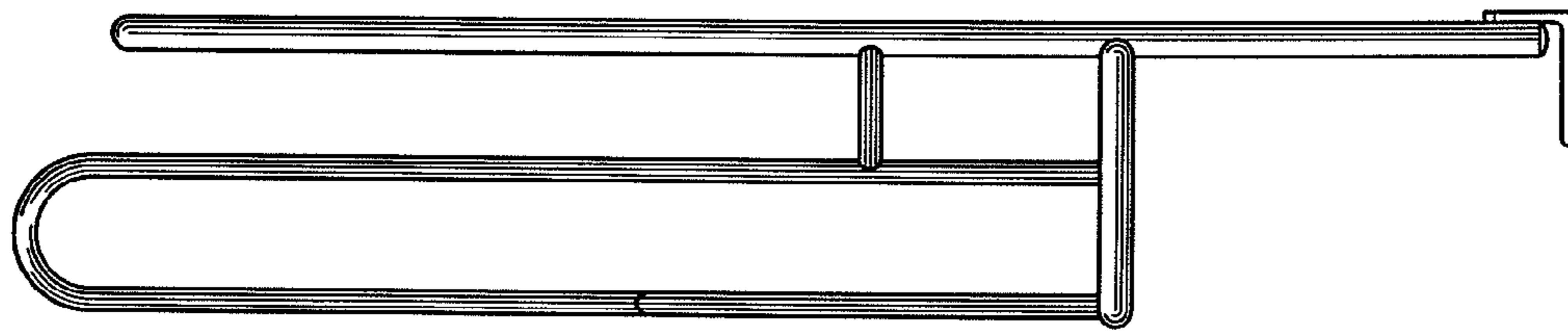


Fig.3

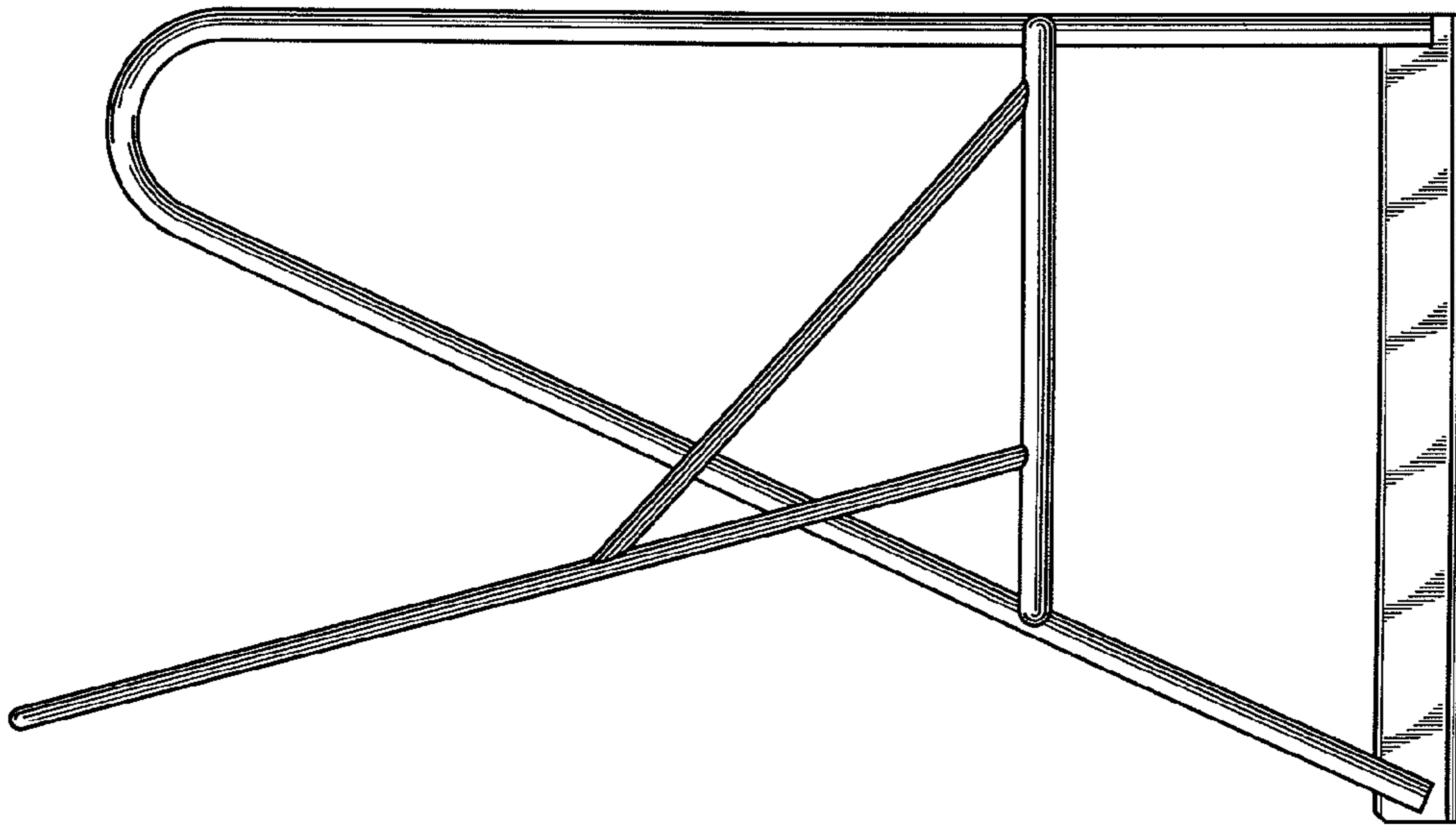


Fig.2

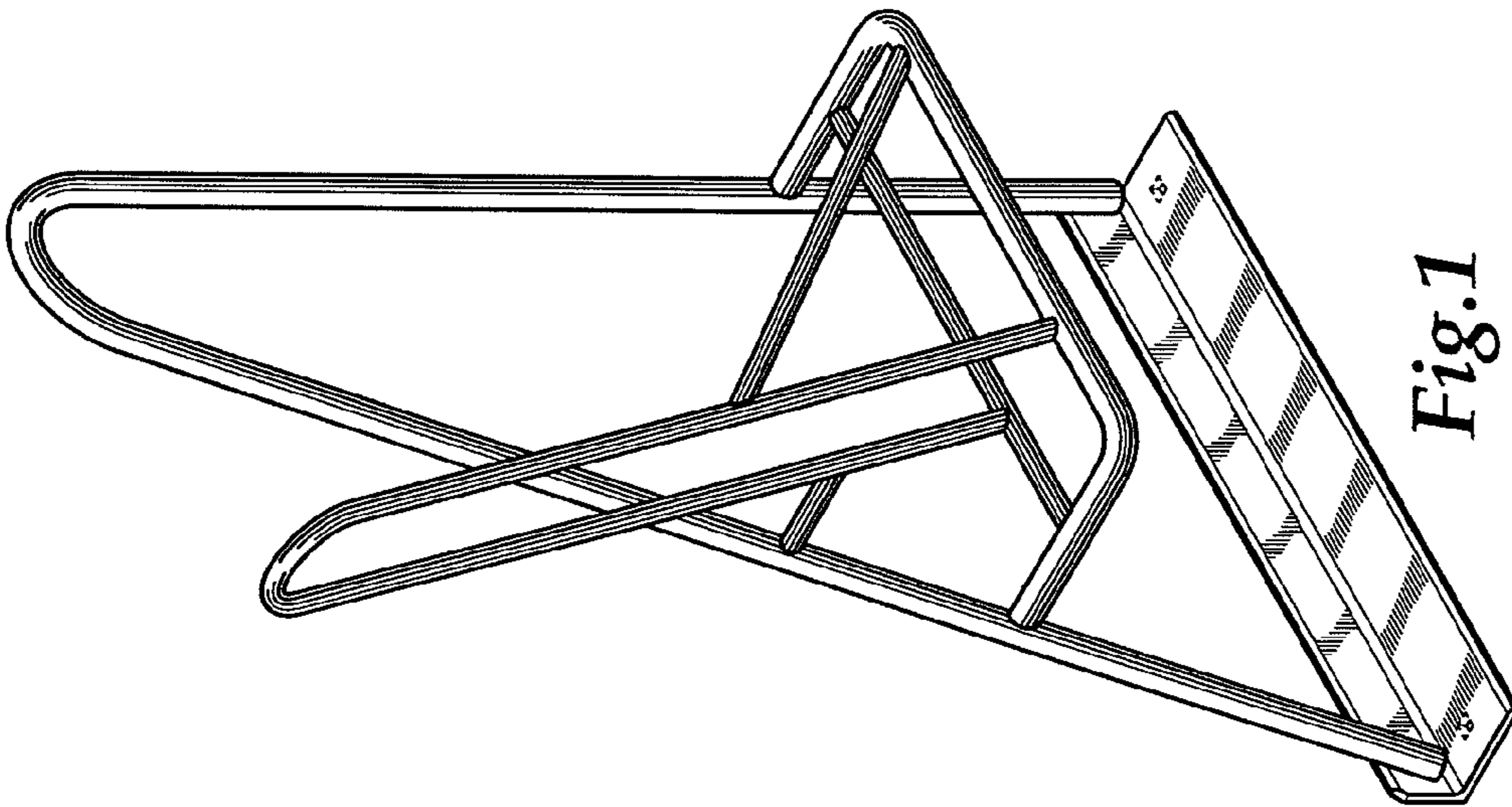
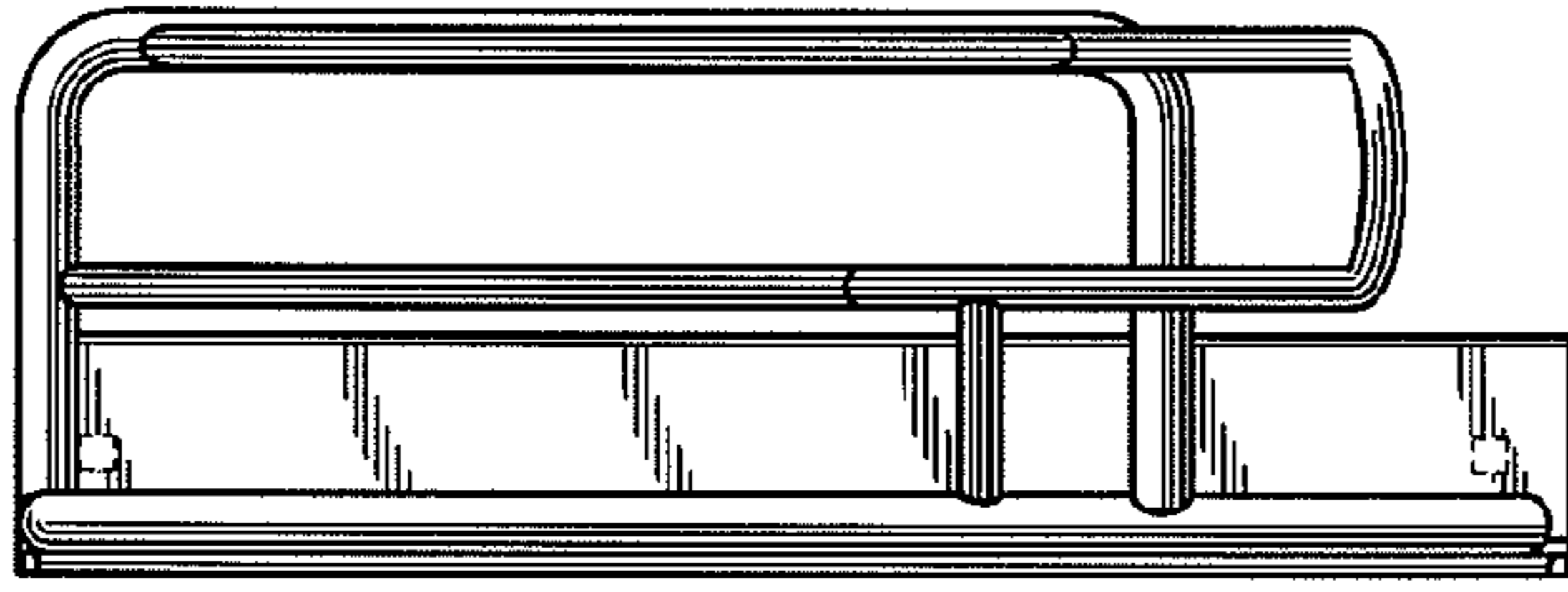
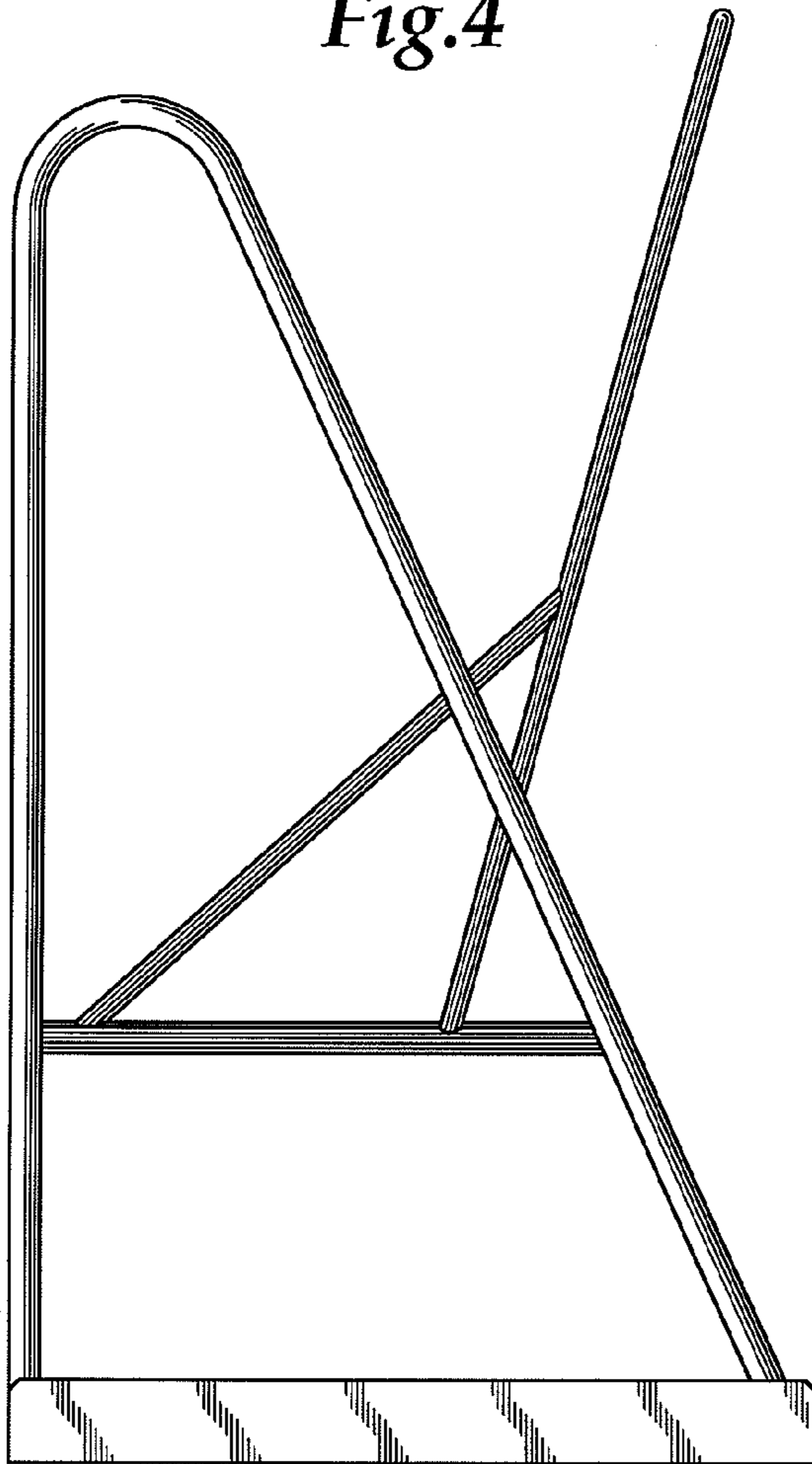


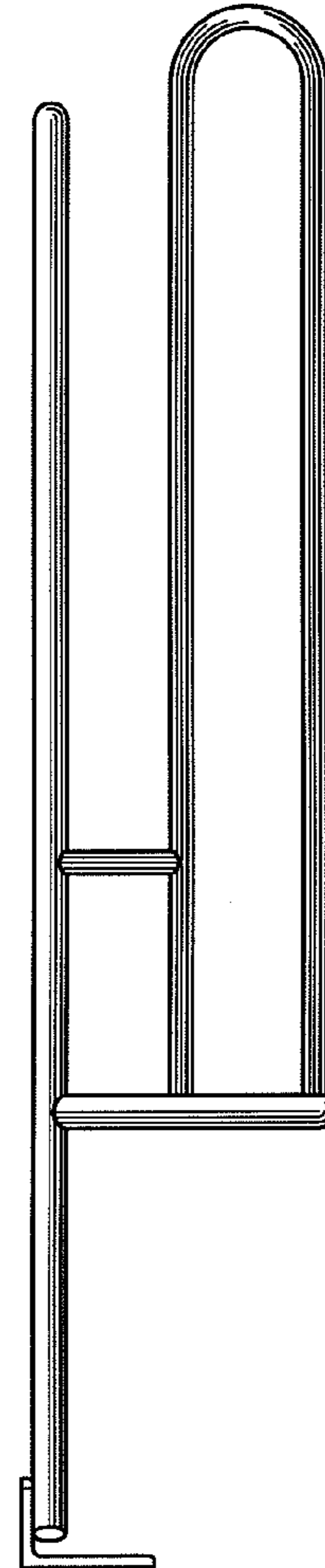
Fig.1



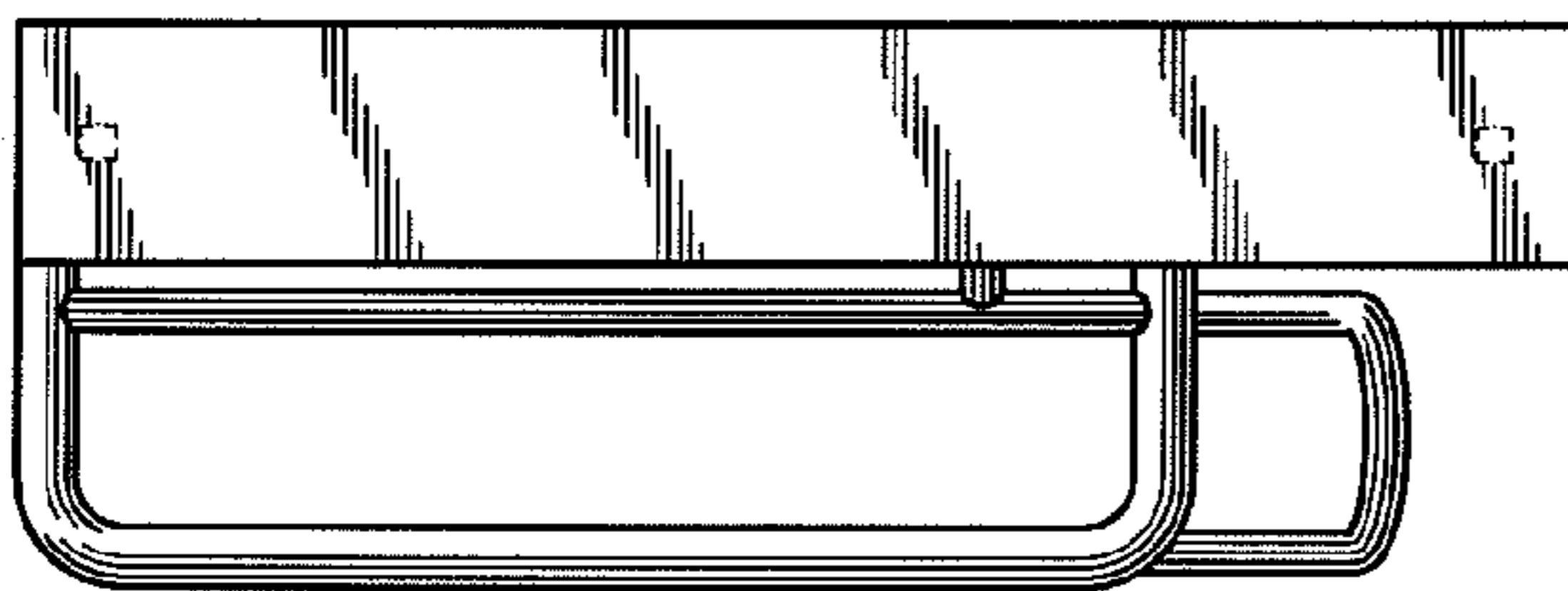
*Fig.4*



*Fig.5*



*Fig.6*



*Fig.7*