



US00D730239S

(12) **United States Design Patent**
Gonzalez

(10) **Patent No.:** **US D730,239 S**

(45) **Date of Patent:** **** May 26, 2015**

(54) **UTILITY VEHICLE**

(71) Applicant: **Polaris Industries Inc.**, Medina, MN
(US)

(72) Inventor: **Salvador Gonzalez**, Fontana, CA (US)

(73) Assignee: **Polaris Industries Inc.**, Medina, MN
(US)

(**) Term: **14 Years**

(21) Appl. No.: **29/449,479**

(22) Filed: **Mar. 15, 2013**

(51) **LOC (10) Cl.** **12-13**

(52) **U.S. Cl.**
USPC **D12/14**

(58) **Field of Classification Search**
USPC D12/14, 1, 87, 86, 433, 15, 16, 107, 82,
D12/88, 89, 90, 91, 92, 93; D21/803;
180/233, 908; 208/DIG. 5, 183, 184,
208/185, 186, 28, 37.7

See application file for complete search history.

(56) **References Cited**

U.S. PATENT DOCUMENTS

D631,395 S * 1/2011 Tandrup et al. D12/14
7,874,606 B2 * 1/2011 Yamamura et al. 296/64

D689,396 S * 9/2013 Wang D12/14
8,585,088 B1 * 11/2013 Kaku et al. 280/756
8,613,337 B2 * 12/2013 Kinsman et al. 180/68.3
2009/0183938 A1 * 7/2009 Cover et al. 180/291
2012/0160589 A1 * 6/2012 Tsumiyama et al. 180/291
2012/0217078 A1 * 8/2012 Kinsman et al. 180/69.4

* cited by examiner

Primary Examiner — T. Chase Nelson

Assistant Examiner — Ania Aman

(74) *Attorney, Agent, or Firm* — Faegre Baker Daniels LLP

(57) **CLAIM**

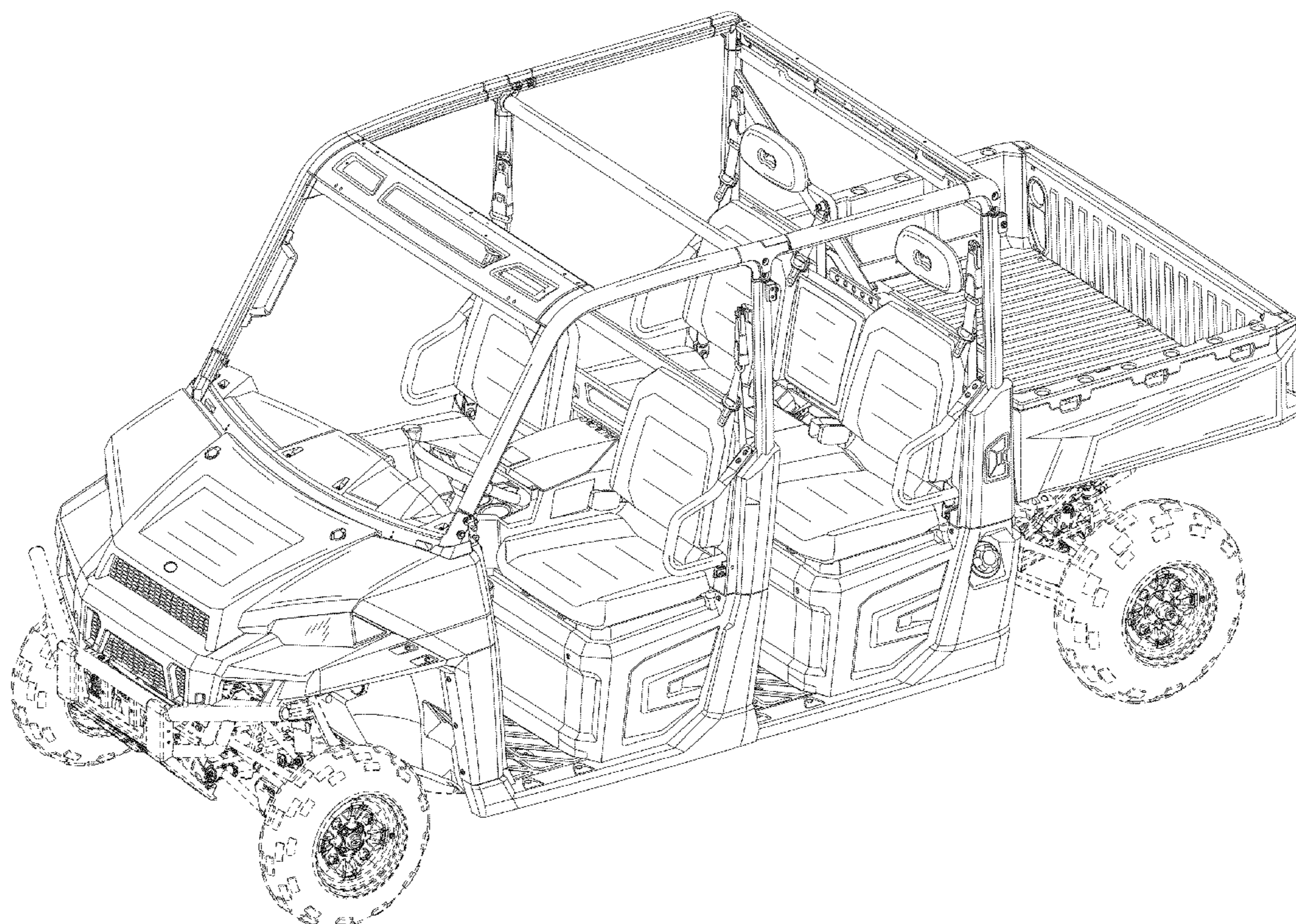
I claim the ornamental design for the utility vehicle, as shown and described.

DESCRIPTION

FIG. 1 is a left front perspective view of the utility vehicle of the present invention;
FIG. 2 is a right rear perspective view of the utility vehicle of FIG. 1;
FIG. 3 is a left side view of the utility vehicle of FIG. 1;
FIG. 4 is a right side view of the utility vehicle of FIG. 1;
FIG. 5 is a top view of the utility vehicle of FIG. 1;
FIG. 6 is a front view of the utility vehicle of FIG. 1; and,
FIG. 7 is a rear view of the utility vehicle of FIG. 1.

The portions of the utility vehicle shown in broken lines form no part of the claimed design.

1 Claim, 6 Drawing Sheets



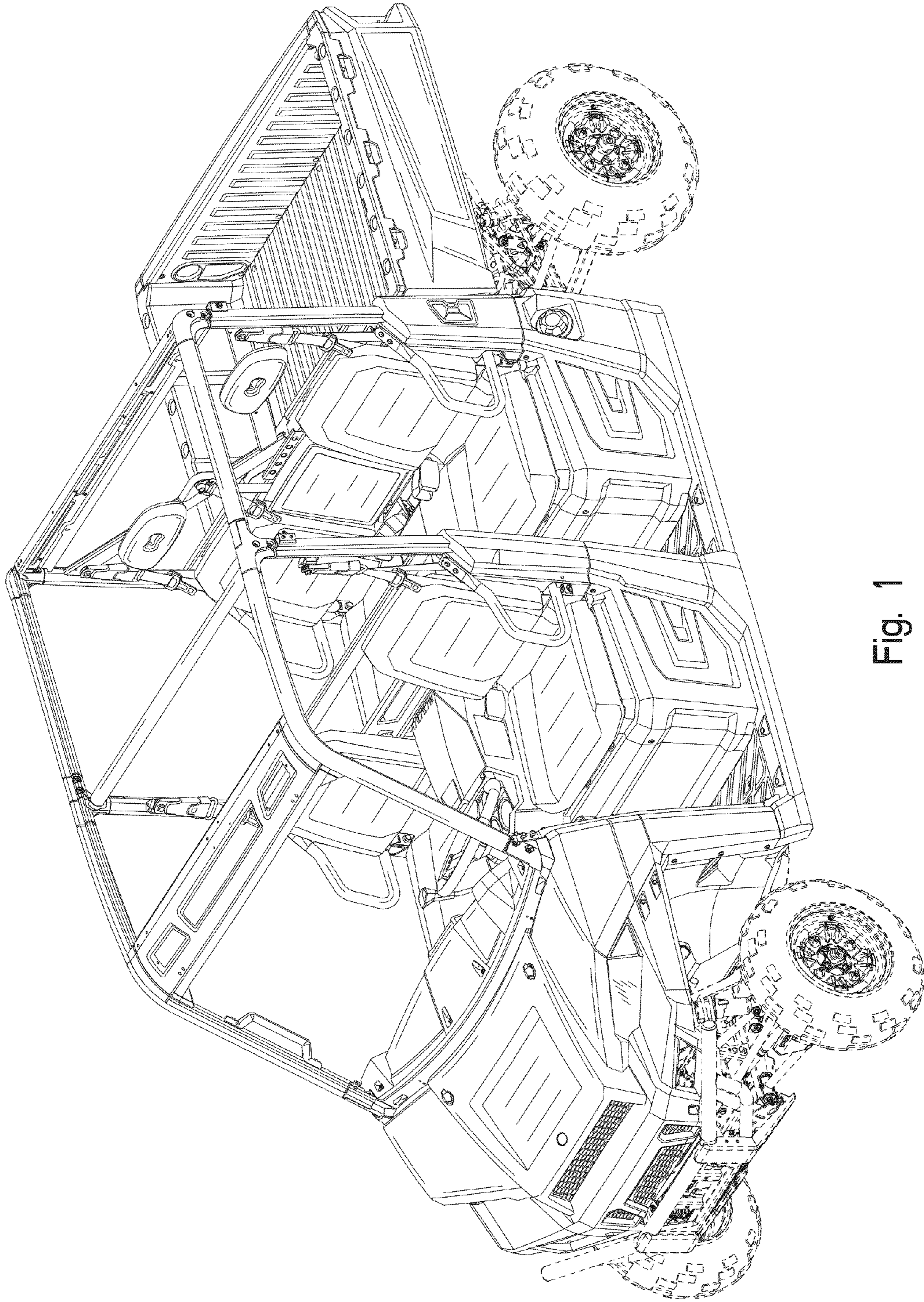


Fig. 1

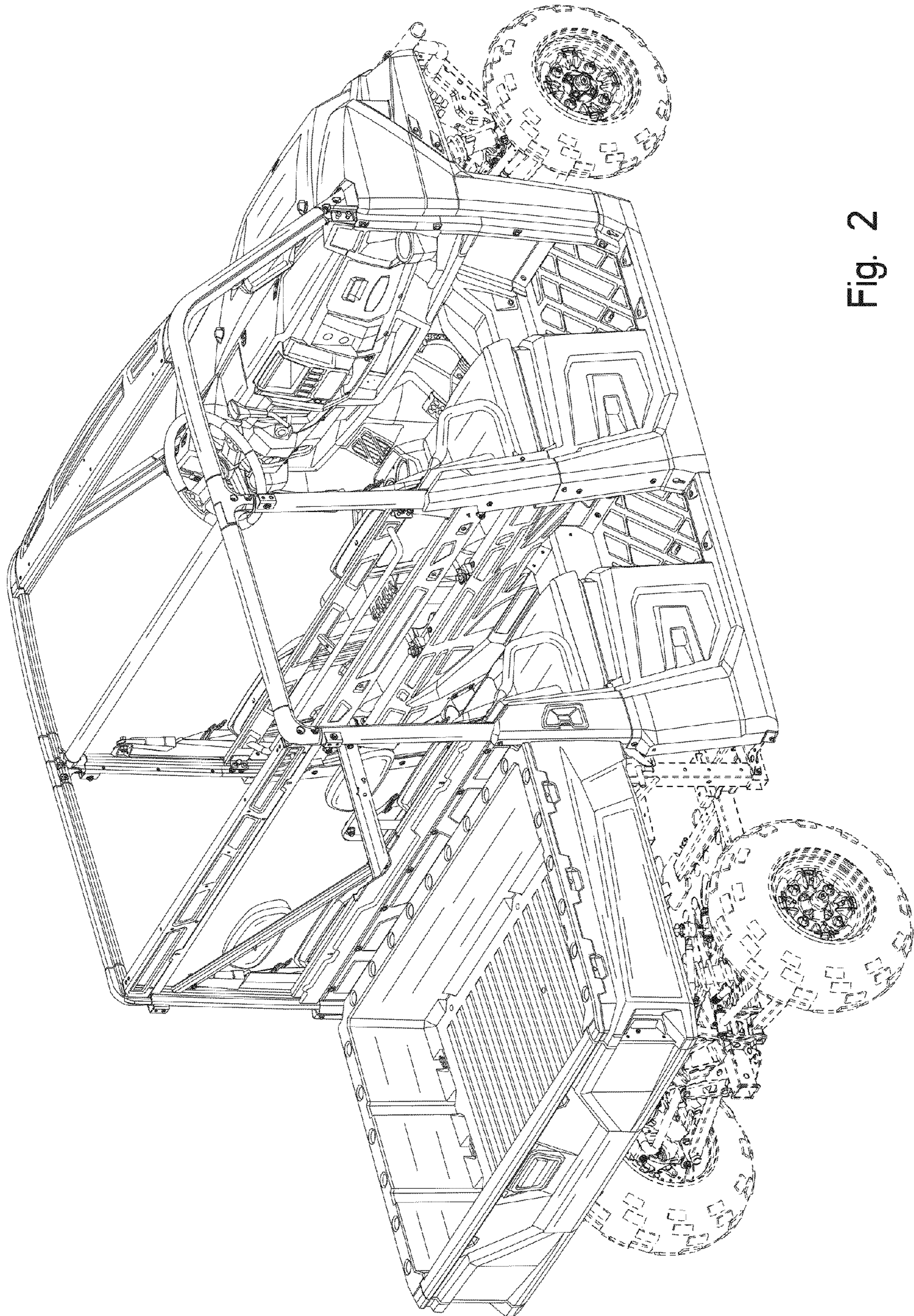


Fig. 2

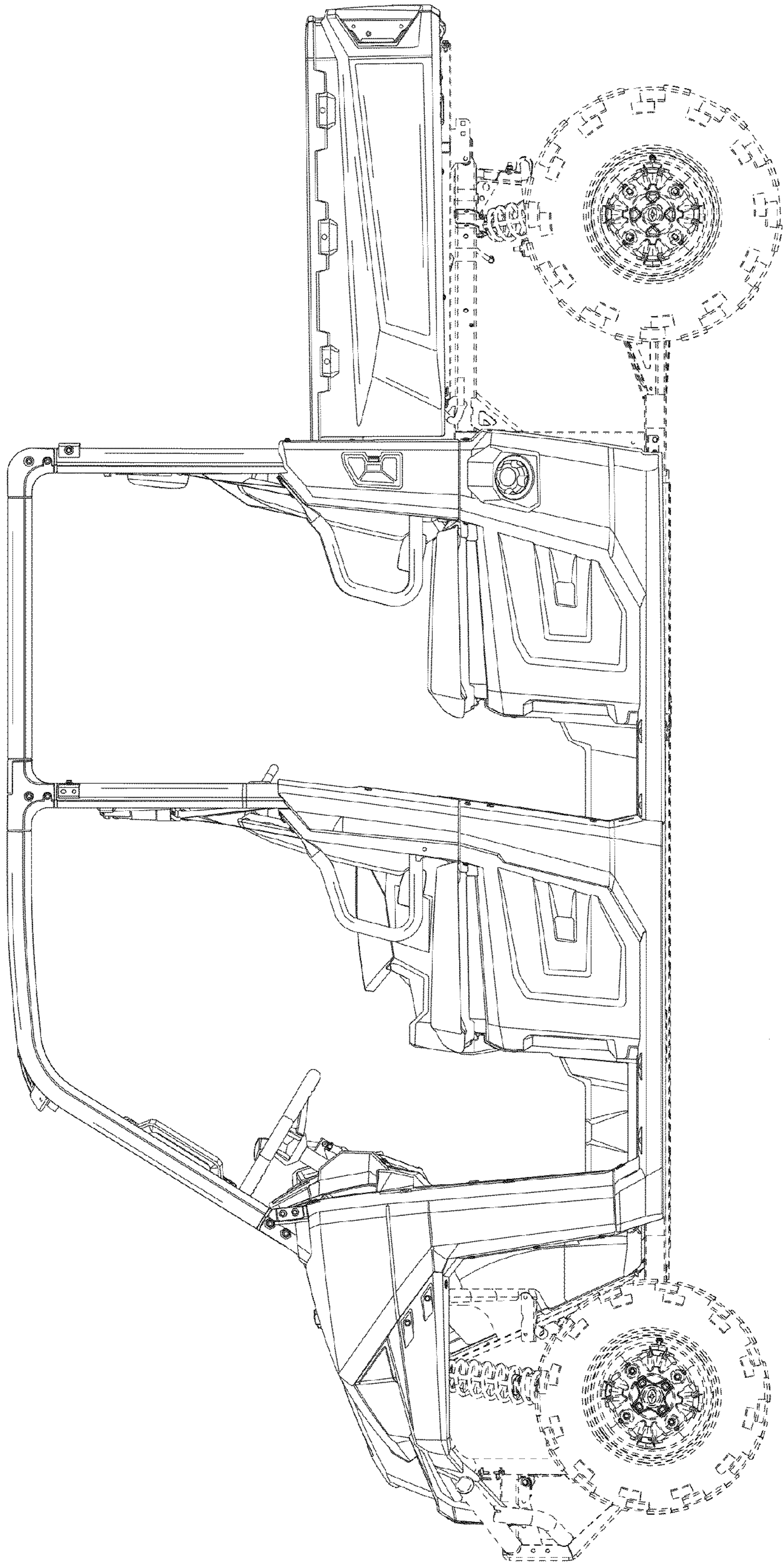


Fig. 3

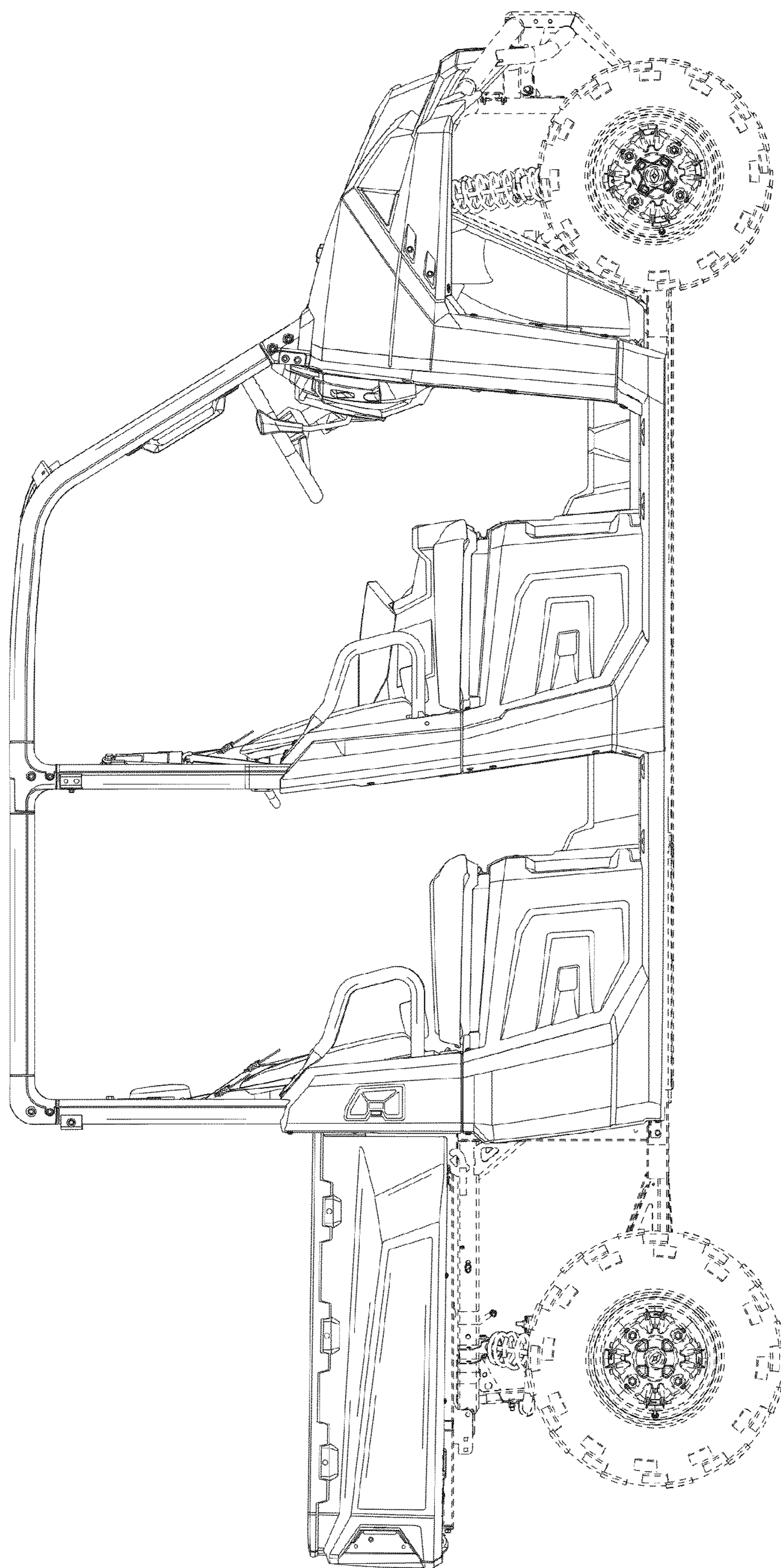


Fig. 4

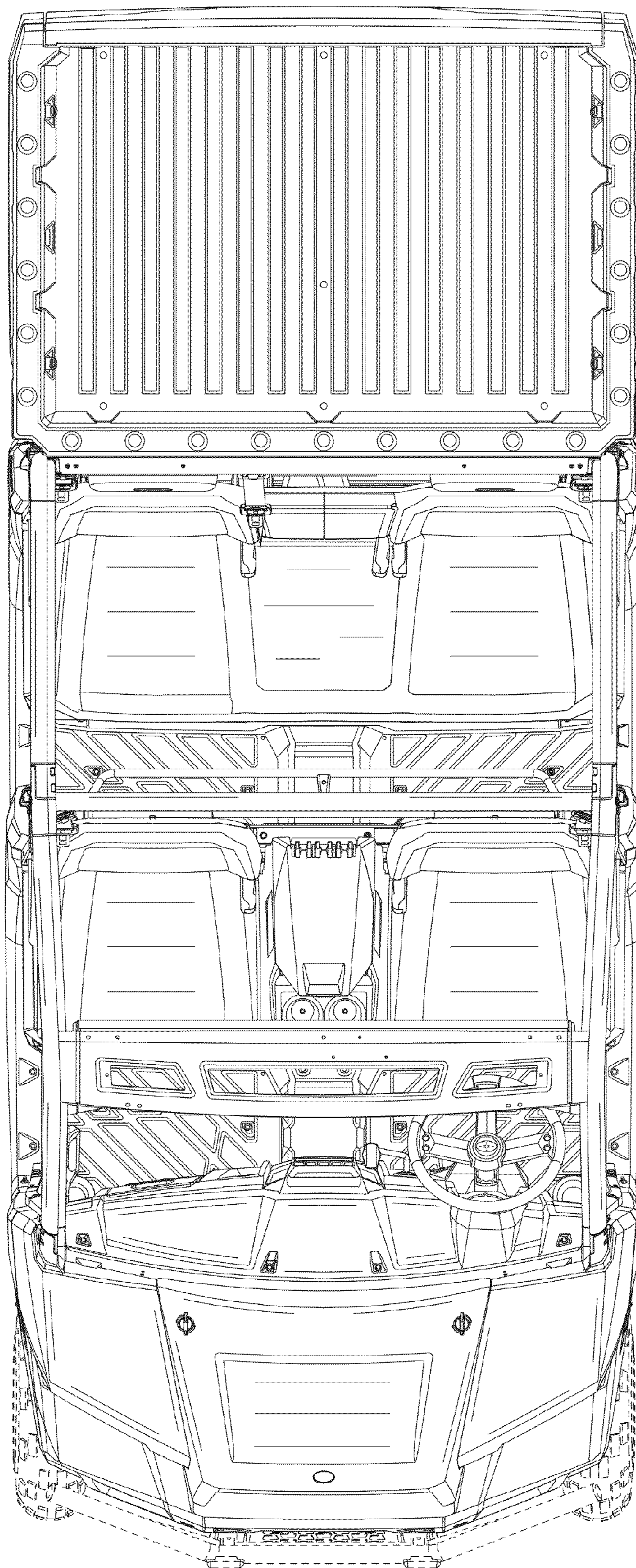


Fig. 5

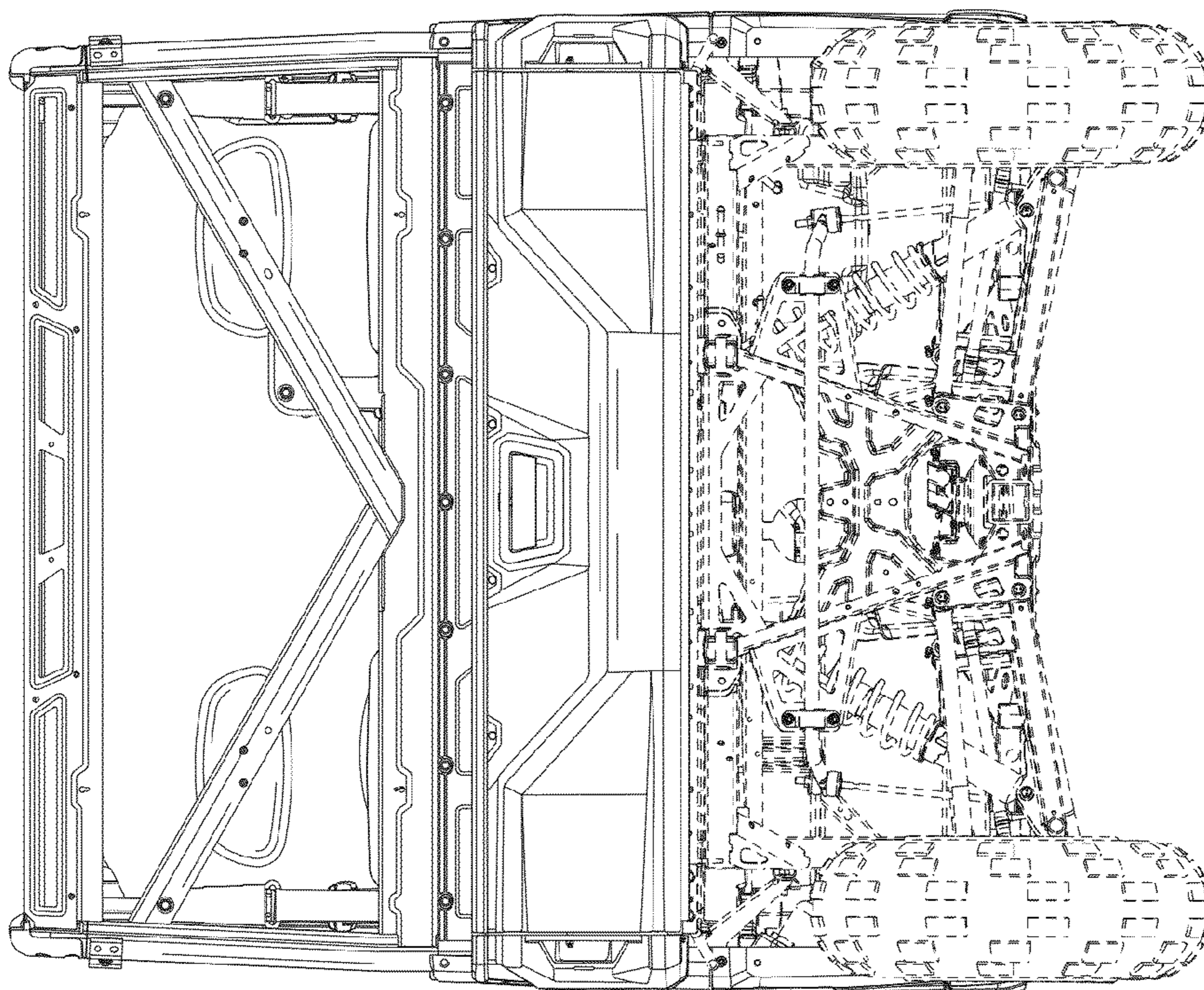


Fig. 7

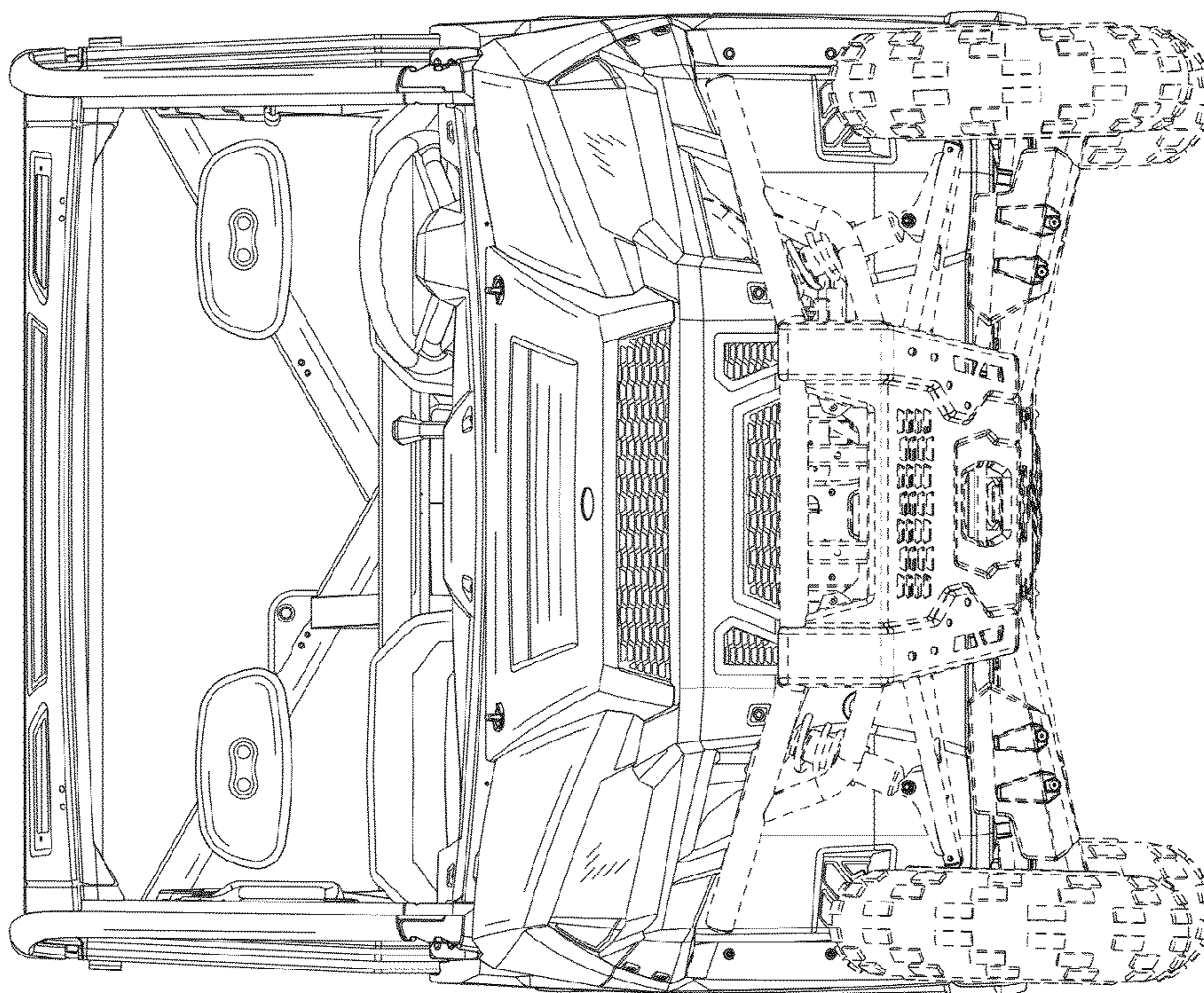


Fig. 6