



US00D730235S

(12) **United States Design Patent**
Korzeniowski

(10) **Patent No.:** **US D730,235 S**

(45) **Date of Patent:** **** May 26, 2015**

(54) **HANGING GARDEN UNIT**

(71) Applicant: **Tomasz Korzeniowski**, Kitchener (CA)

(72) Inventor: **Tomasz Korzeniowski**, Kitchener (CA)

(**) Term: **14 Years**

(21) Appl. No.: **29/486,793**

(22) Filed: **Apr. 2, 2014**

(51) **LOC (10) Cl.** **11-02**

(52) **U.S. Cl.**
USPC **D11/148**

(58) **Field of Classification Search**

CPC A01G 9/00; A01G 9/02; A01G 9/021;
A01G 9/022; A01G 9/024; A01G 9/025;
A01G 9/026; A01G 9/10; A01G 9/104
USPC D6/403-405; D7/586, 587; D9/424,
D9/428, 429, 642; D11/143-156, 164
See application file for complete search history.

(56) **References Cited**

U.S. PATENT DOCUMENTS

2,711,840 A * 6/1955 Gits et al. 220/780
2,799,972 A * 7/1957 Pontes 47/86
D186,038 S * 9/1959 Stageberg D7/586
3,192,665 A * 7/1965 Cloud 47/80
D286,249 S * 10/1986 Carlson D7/587
D345,892 S * 4/1994 Heiberg et al. D7/543
D352,479 S * 11/1994 Carlson D11/153
D383,646 S * 9/1997 Jeppesen et al. D7/584
5,921,025 A * 7/1999 Smith 47/79
6,431,389 B1 * 8/2002 Jerstroem et al. 220/574.3

6,622,430 B1 * 9/2003 Lai 47/79
7,412,798 B2 * 8/2008 Boxsell 47/39
D606,453 S * 12/2009 White D11/153
D625,961 S * 10/2010 Kent D7/586
D634,486 S * 3/2011 Graham-Cretcher D30/129

* cited by examiner

Primary Examiner — Elizabeth Albert

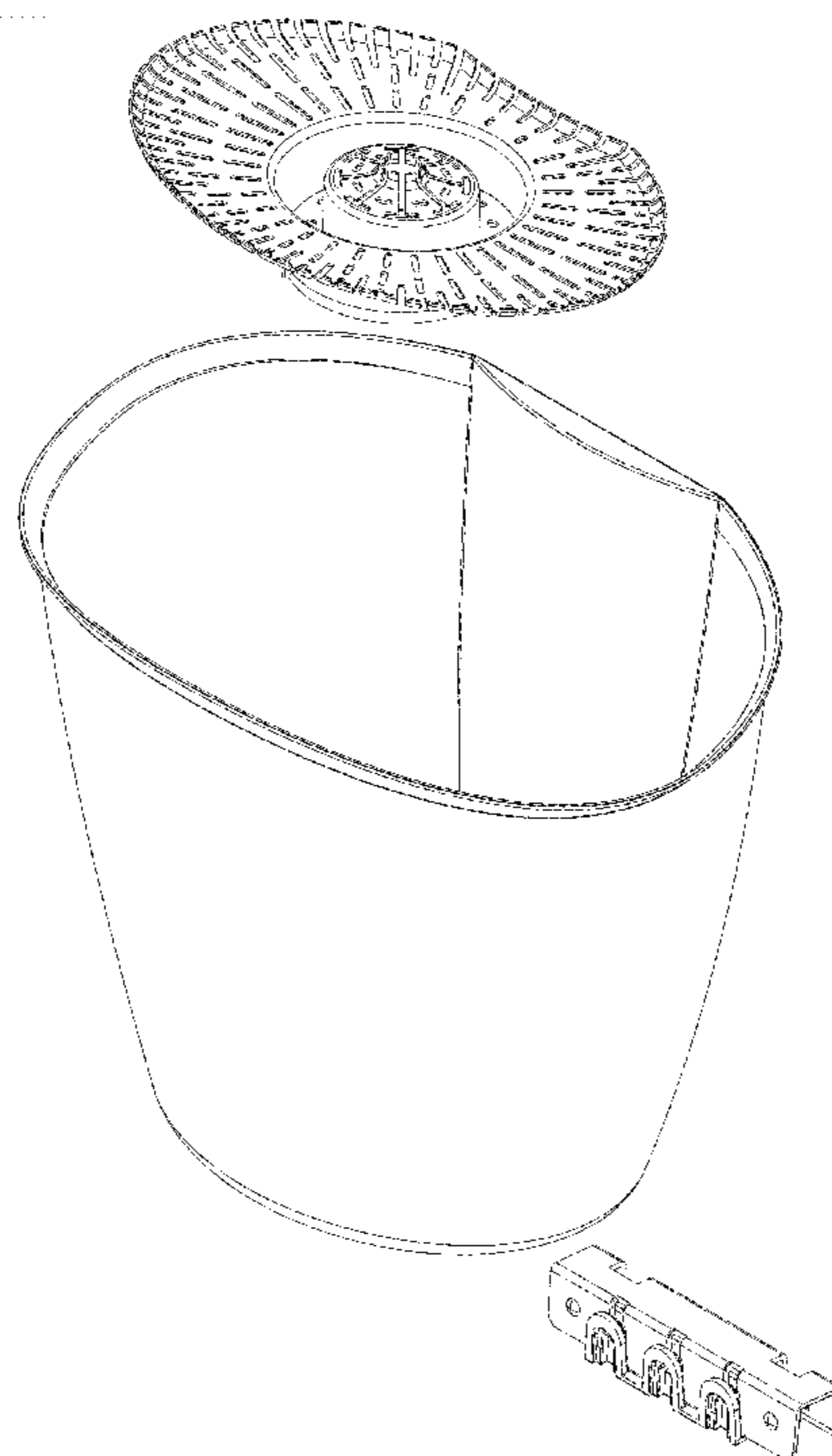
(57) **CLAIM**

The ornamental design for a hanging garden unit, as shown and described.

DESCRIPTION

FIG. 1 is a top perspective view of a hanging garden unit, showing my new design;
FIG. 2 is a top, exploded perspective view thereof;
FIG. 3 is a bottom, exploded perspective view thereof;
FIG. 4 is a front elevation view thereof;
FIG. 5 is a rear elevation view thereof;
FIG. 6 is a top plan view thereof;
FIG. 7 is a top plan view thereof, with the drainage portion not shown for ease of disclosure;
FIG. 8 is a bottom plan view thereof;
FIG. 9 is a right side elevation view thereof;
FIG. 10 is a left side elevation view thereof;
FIG. 11 is a cross-section view thereof, taken on line 11-11 of FIG. 6; and,
FIG. 12 is a cross-section view thereof, taken on line 12-12 of FIG. 6.

1 Claim, 12 Drawing Sheets



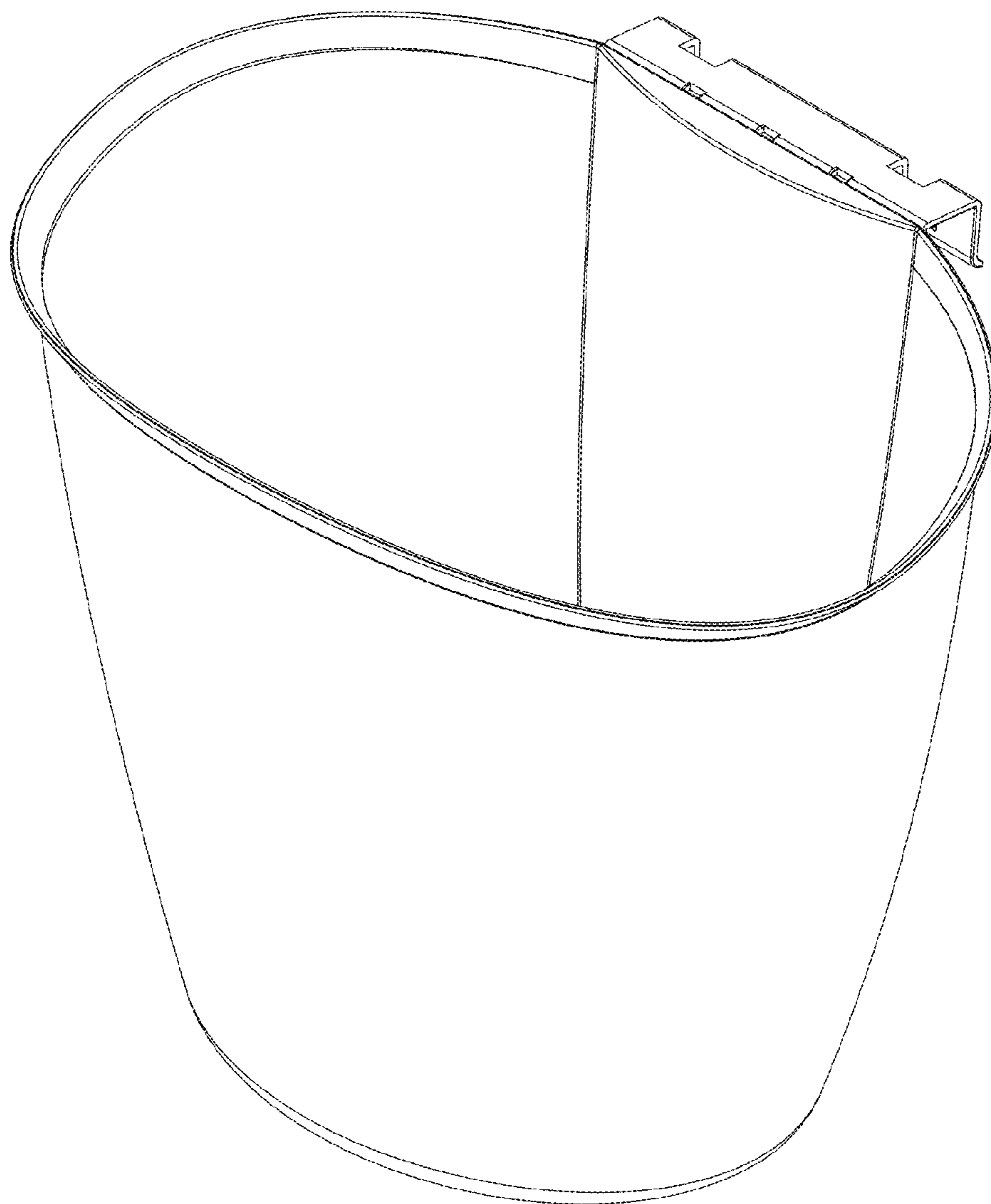
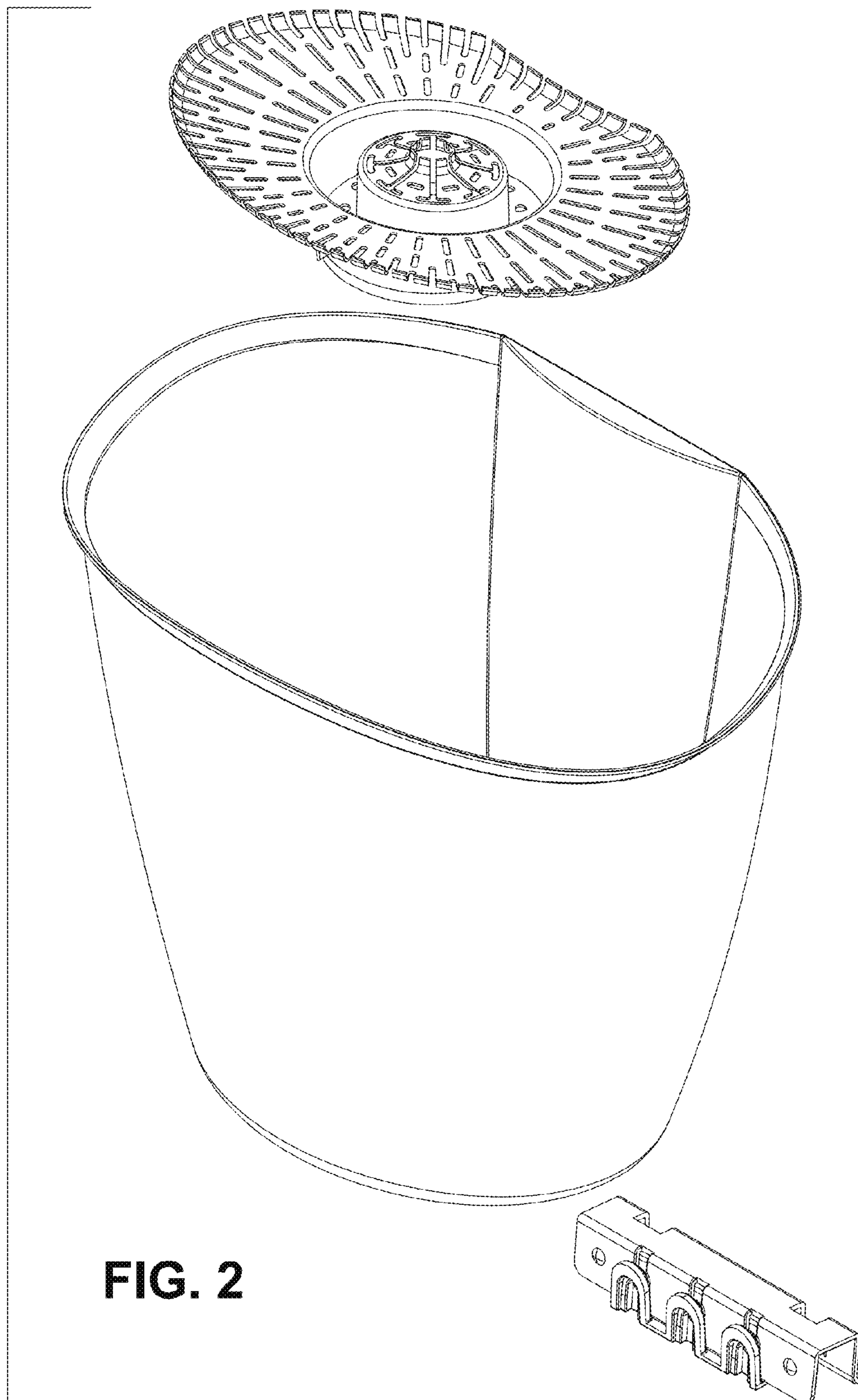


FIG. 1



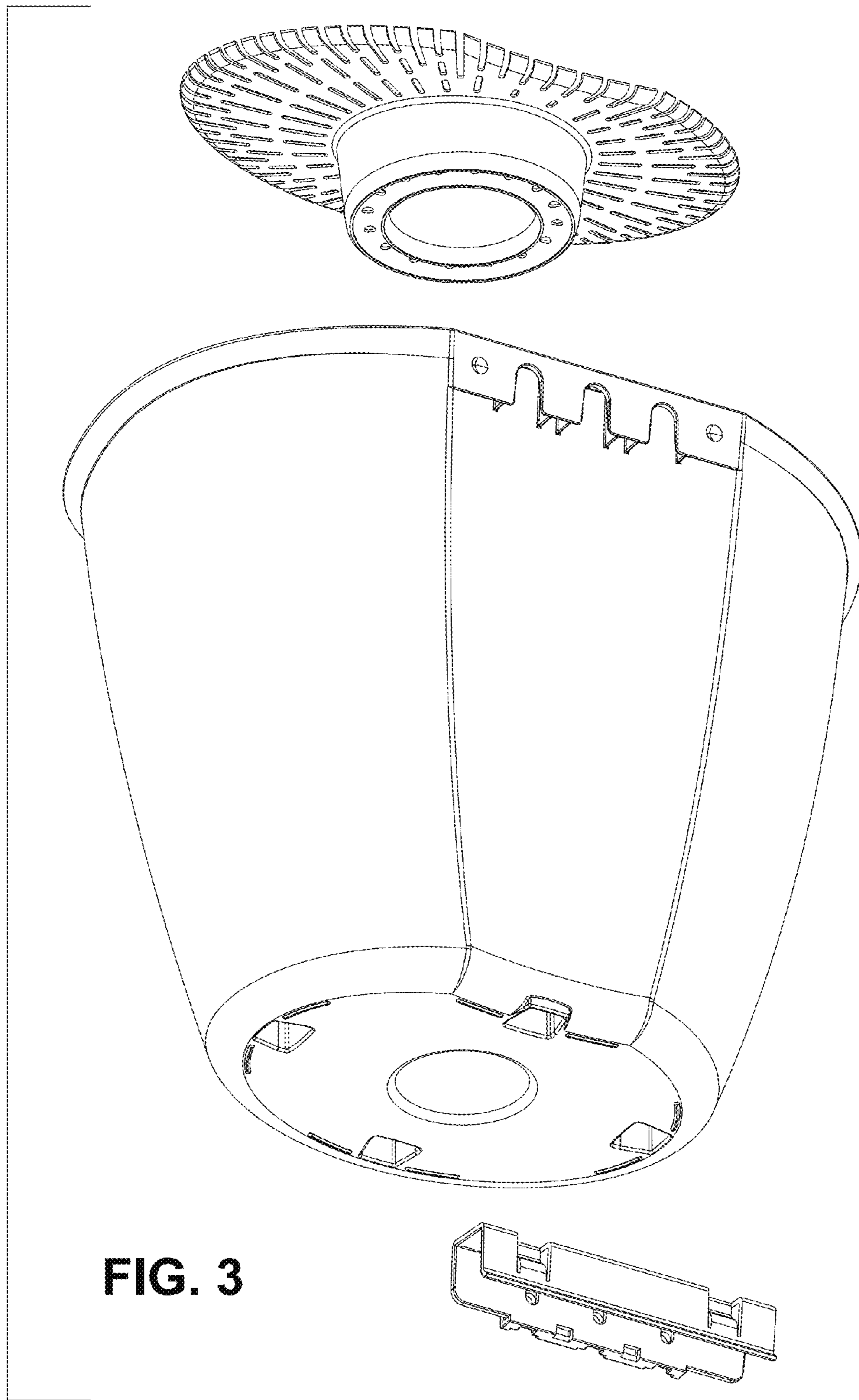


FIG. 3

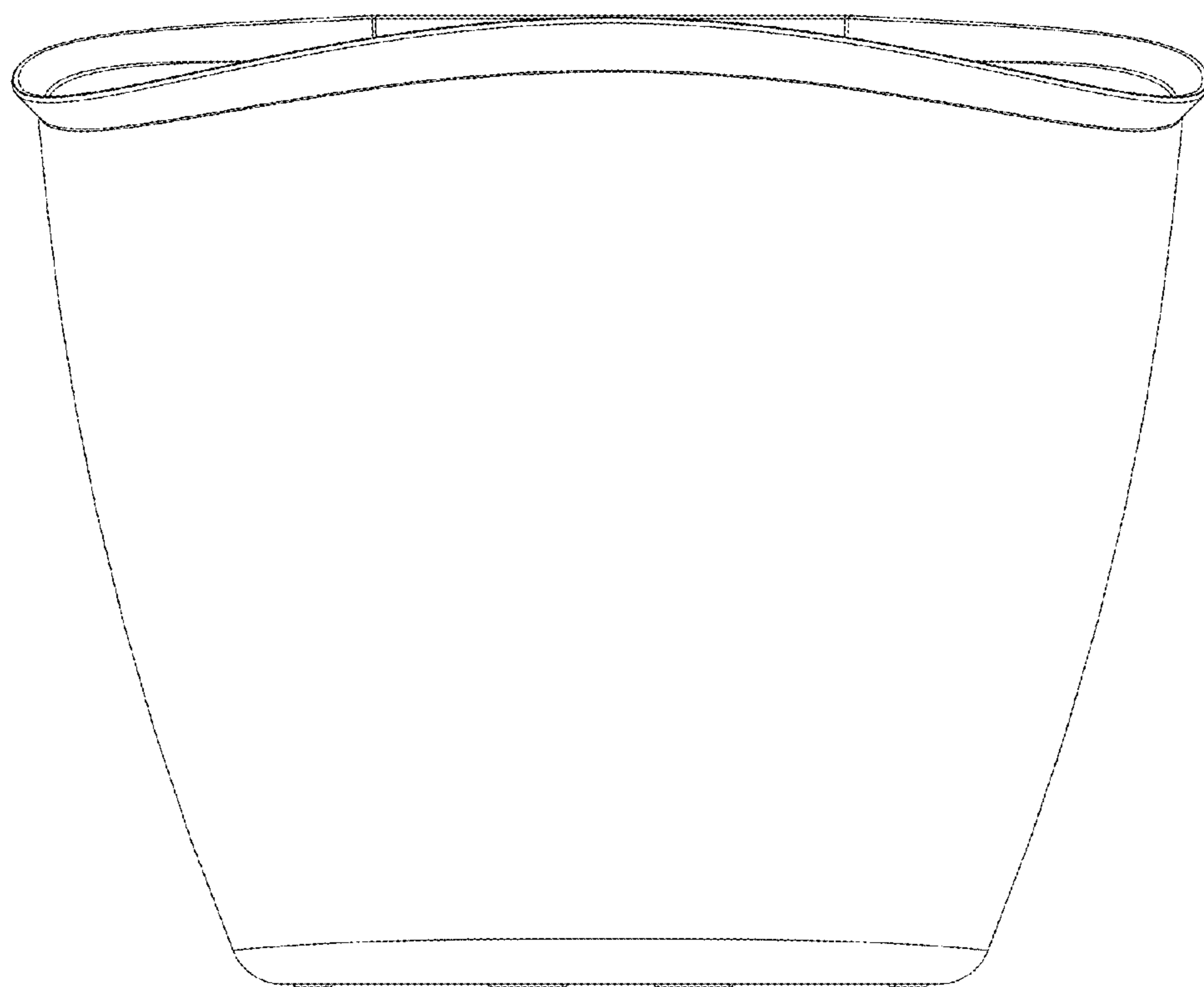


FIG. 4

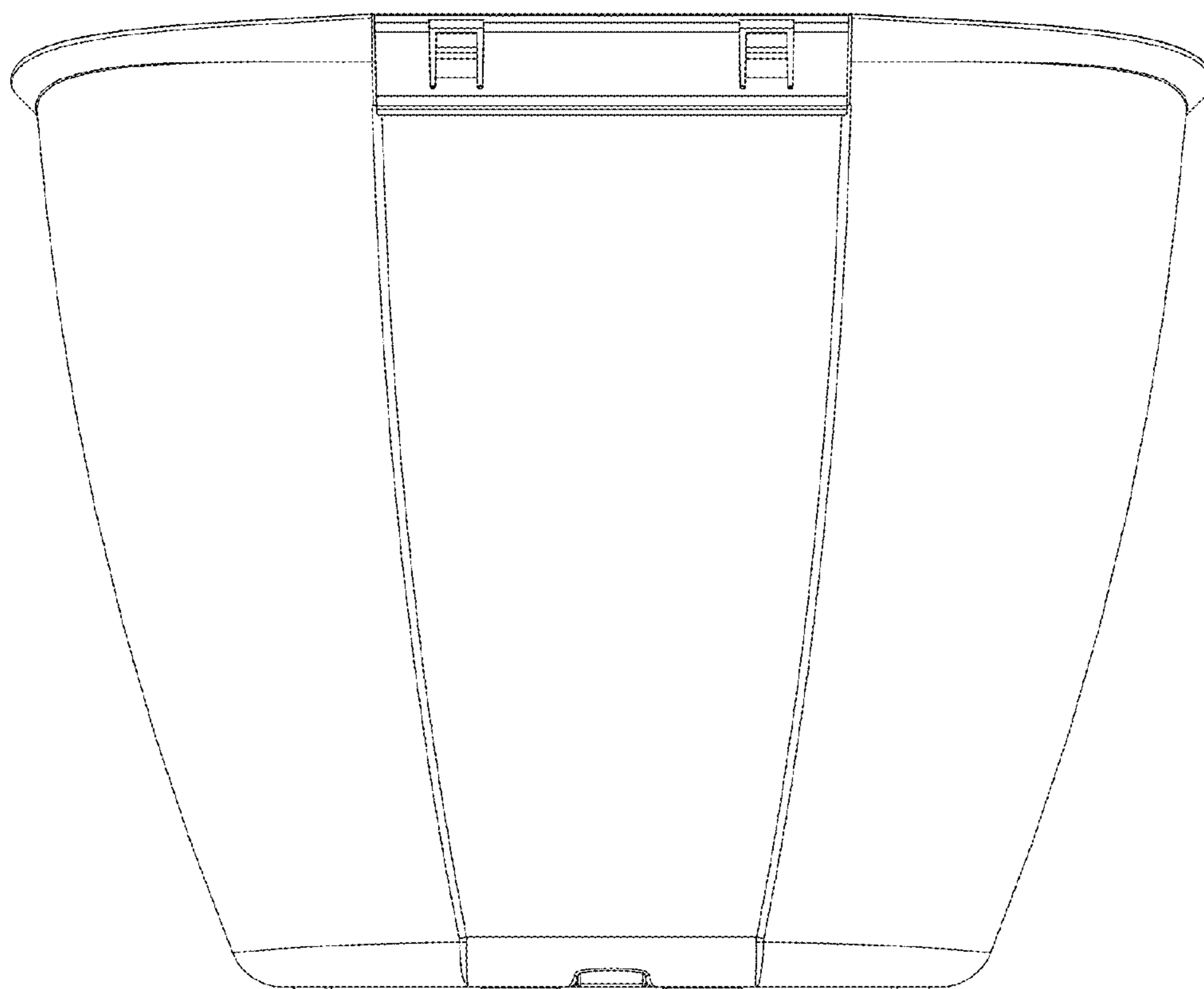


FIG. 5

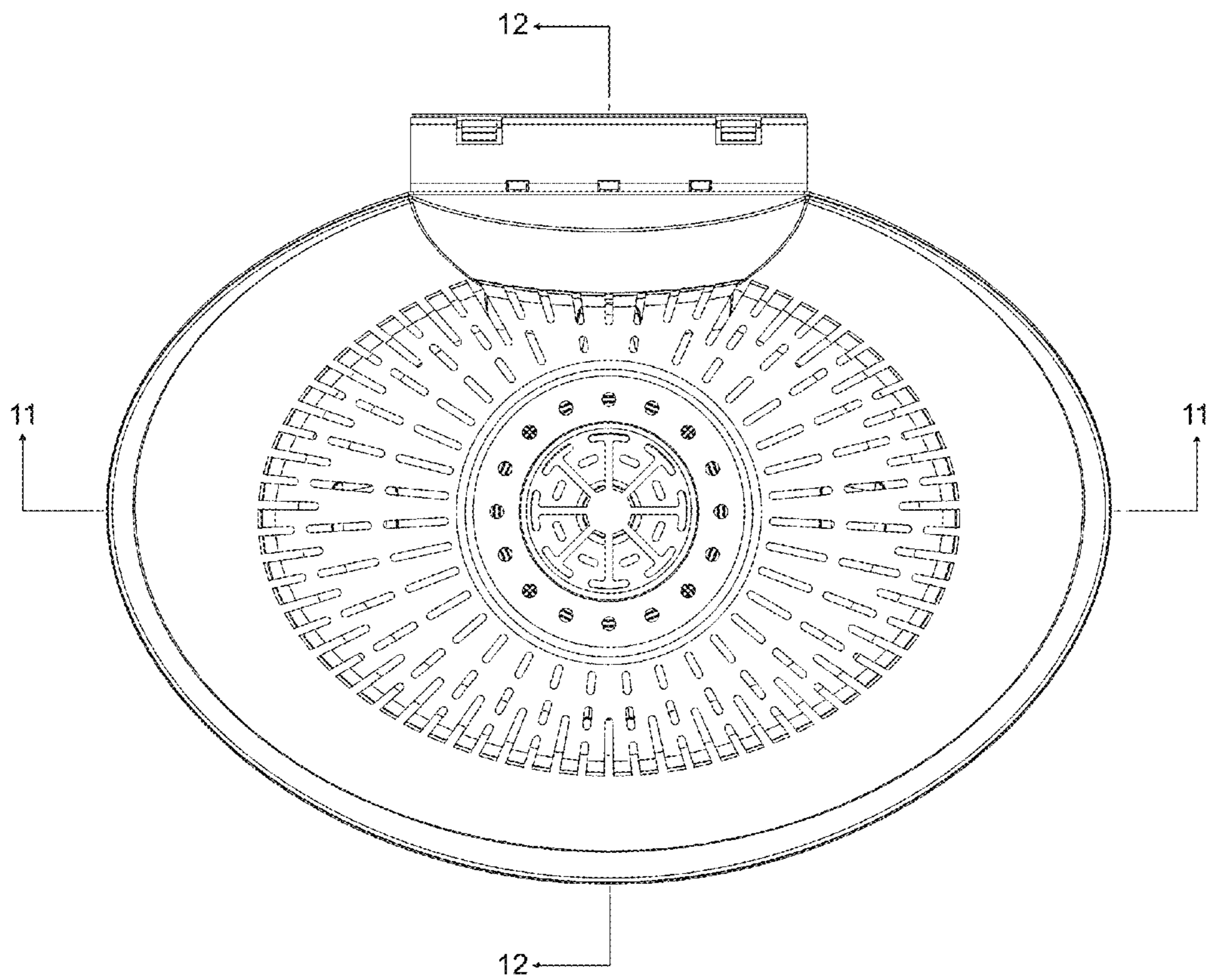


FIG. 6

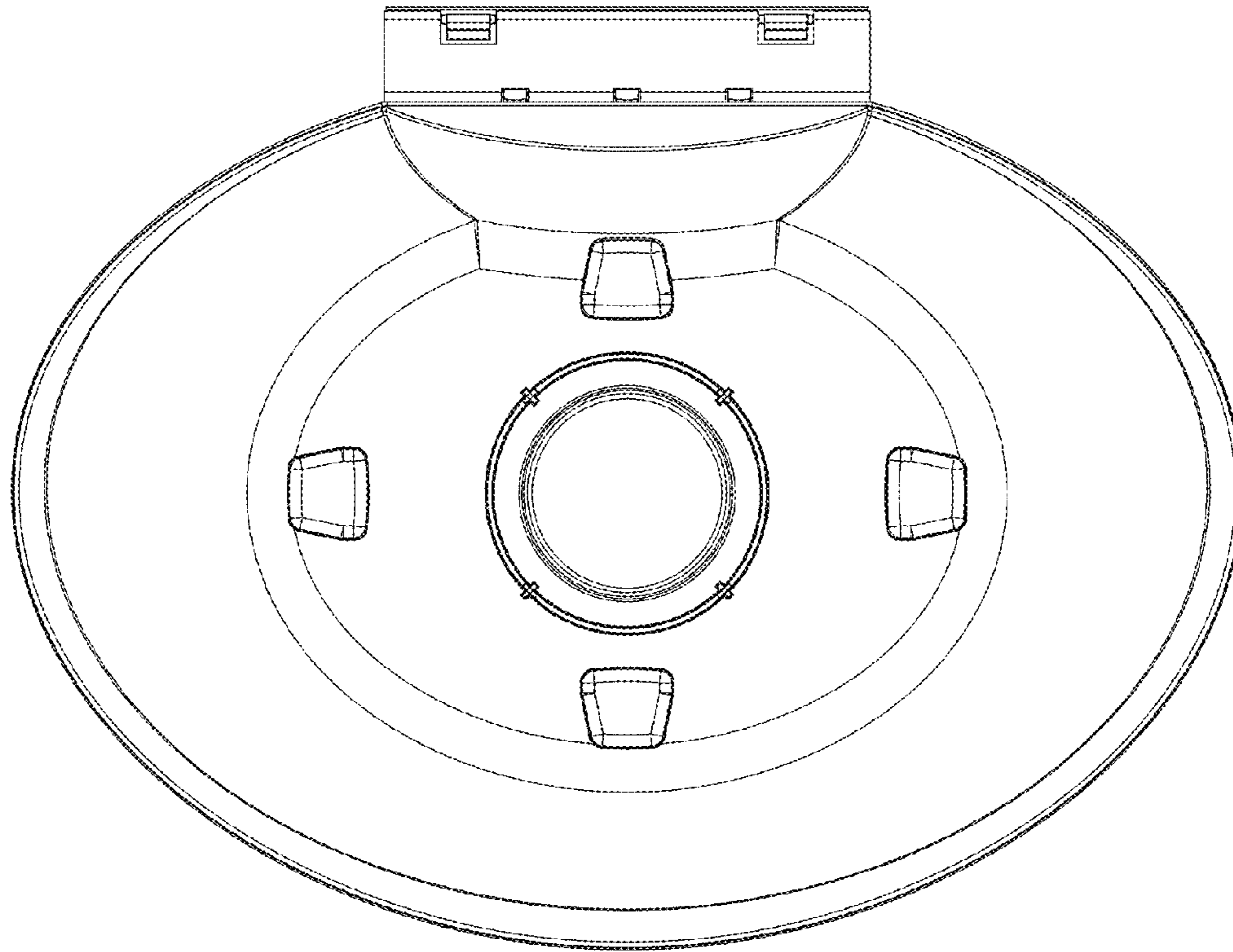


FIG. 7

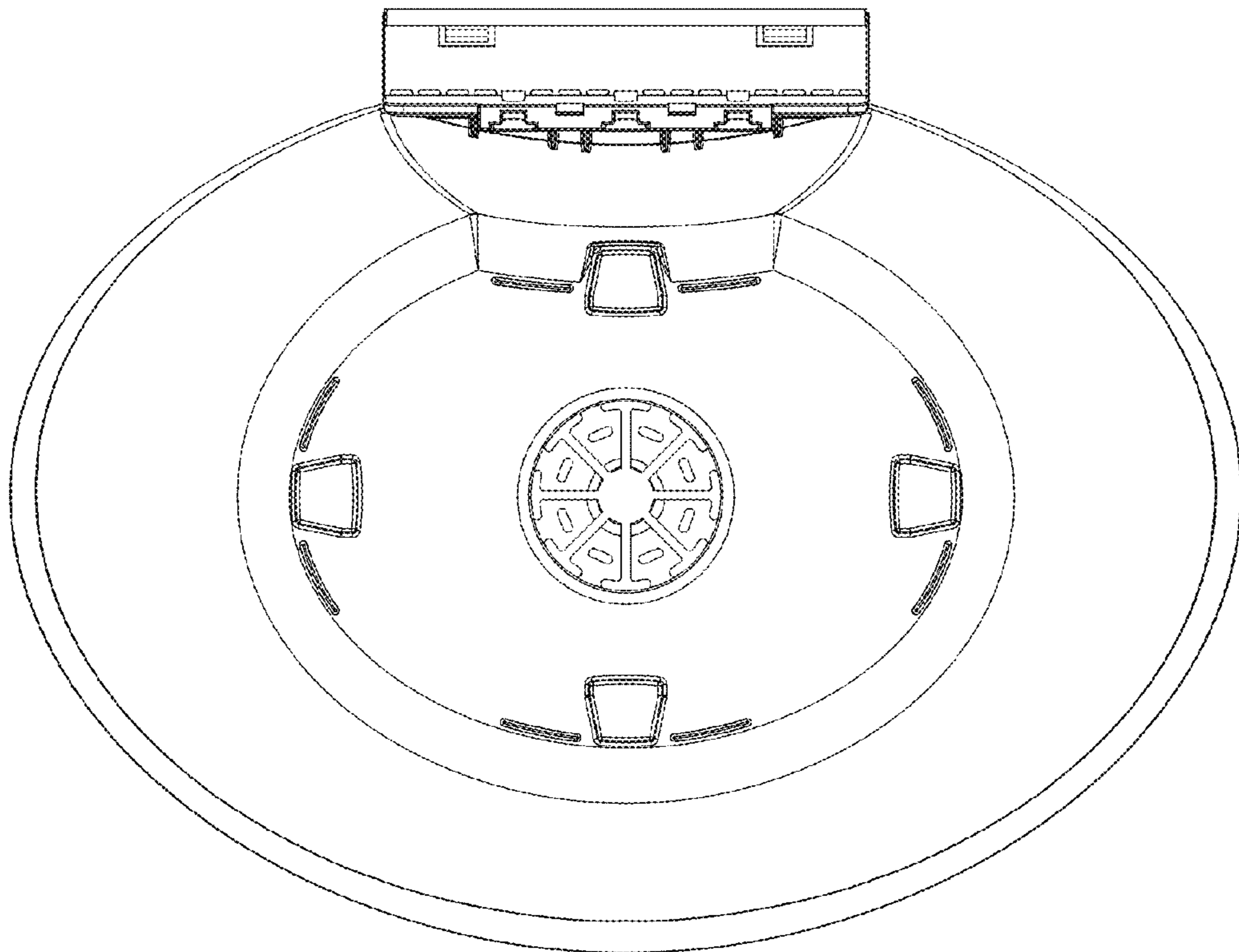


FIG. 8

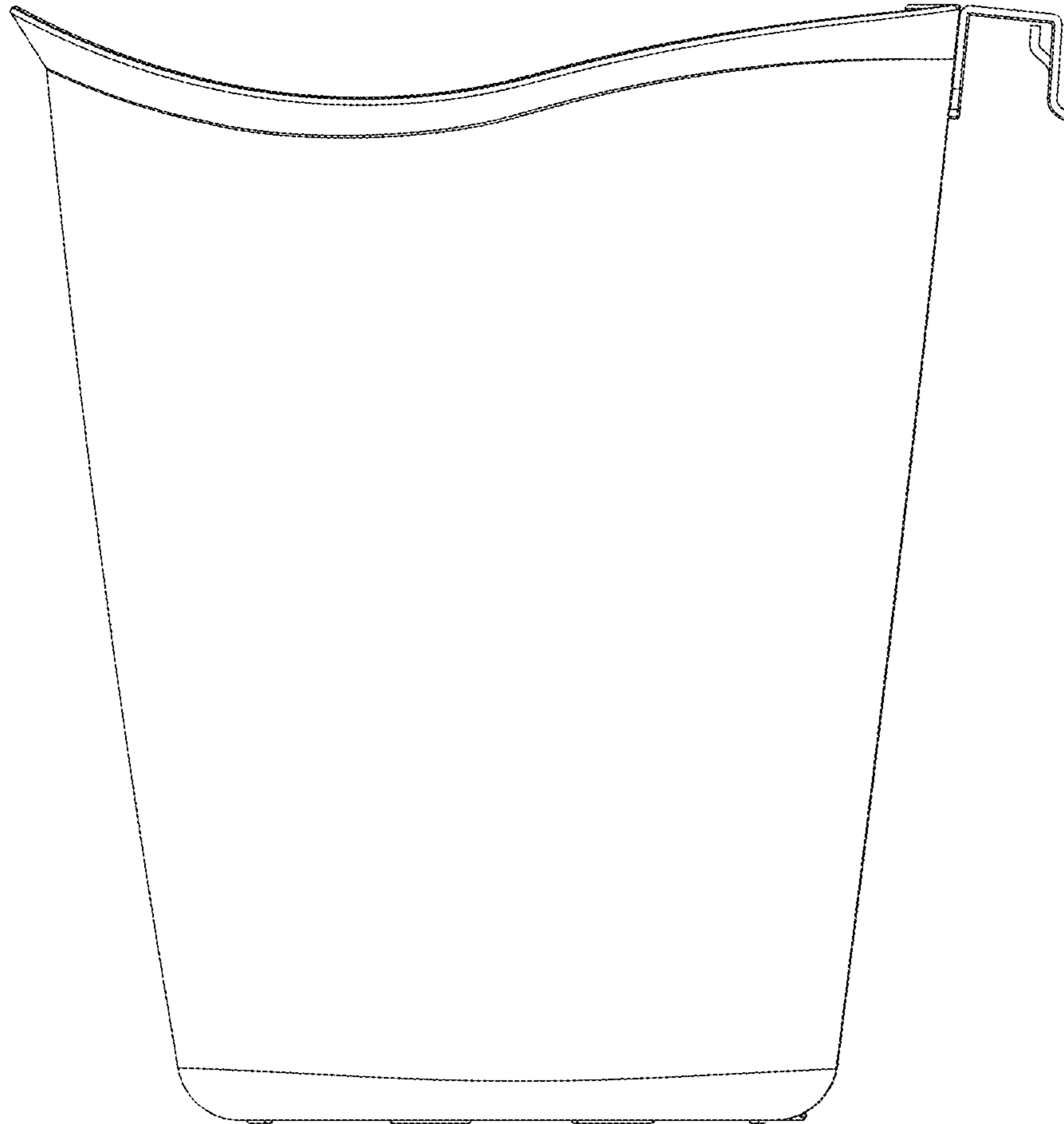


FIG. 9

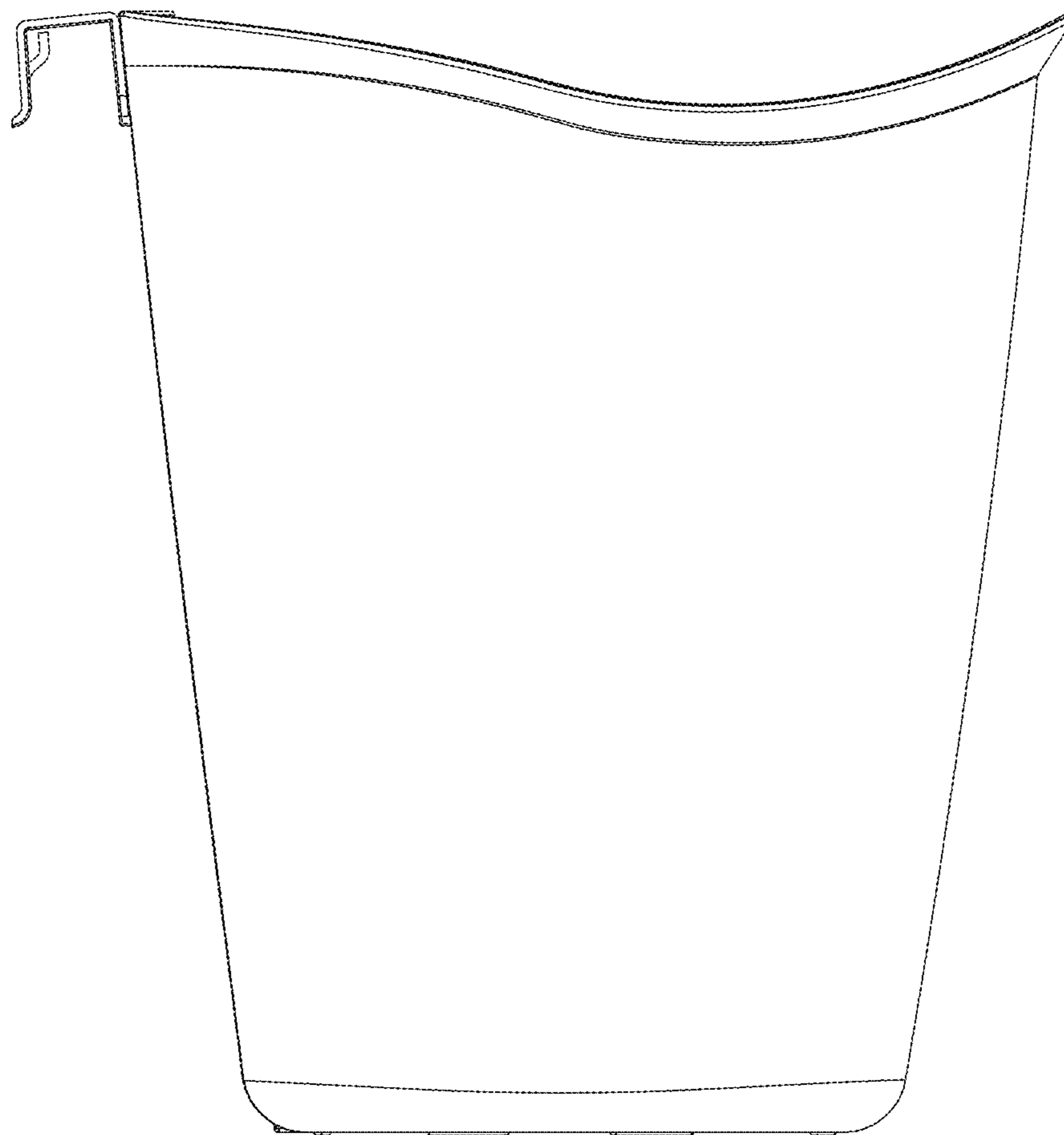


FIG. 10

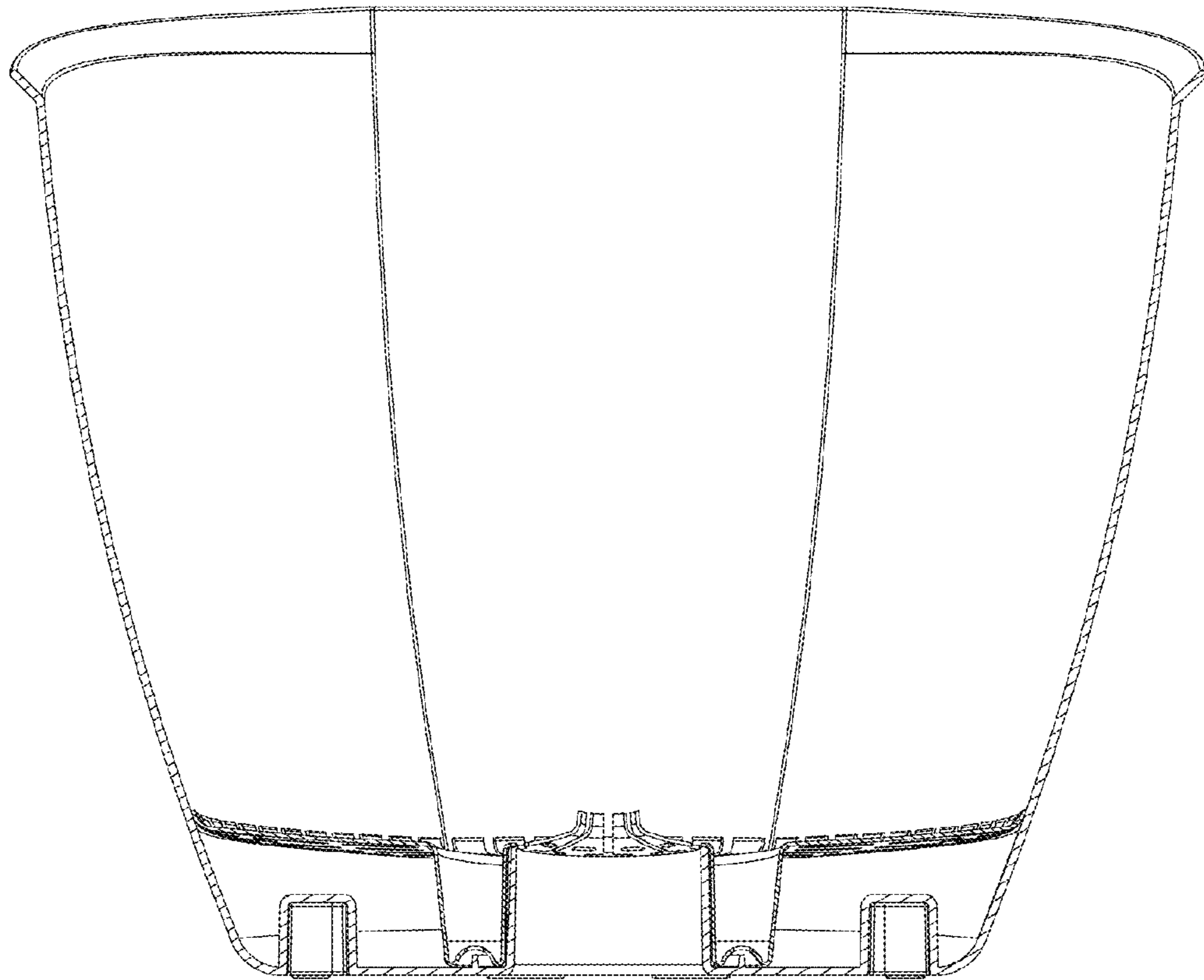


FIG. 11

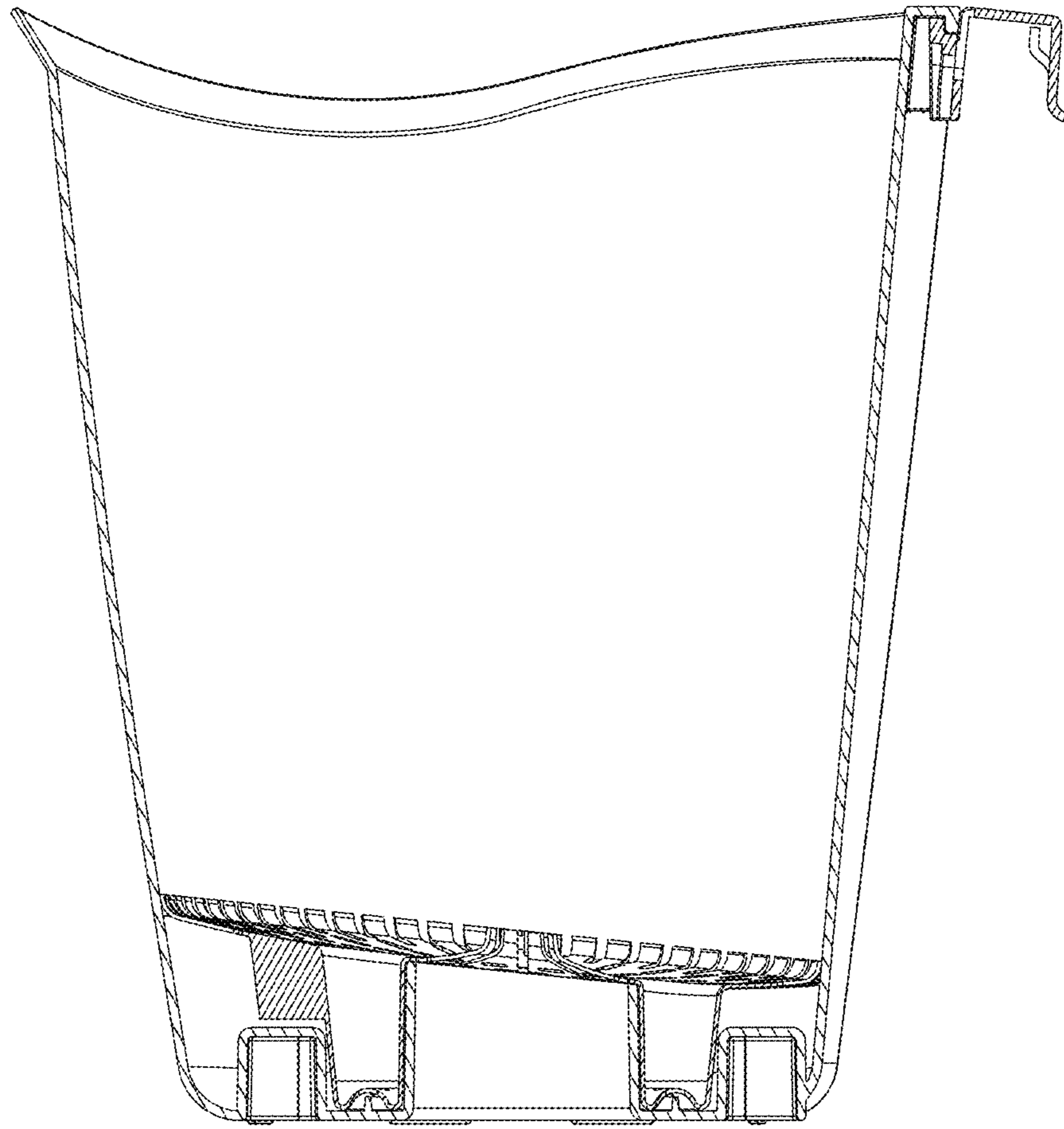


FIG. 12