



US00D730228S

(12) **United States Design Patent**
Kuo

(10) **Patent No.:** **US D730,228 S**

(45) **Date of Patent:** **** May 26, 2015**

(54) **WATCH BEZEL**

(71) Applicant: **Howard Kuo**, Atlanta, GA (US)

(72) Inventor: **Howard Kuo**, Atlanta, GA (US)

(**) Term: **14 Years**

(21) Appl. No.: **29/444,018**

(22) Filed: **Jan. 25, 2013**

(51) **LOC (10) Cl.** **10-07**

(52) **U.S. Cl.**
USPC **D10/128**

(58) **Field of Classification Search**

CPC G04B 19/283; G04B 19/18

USPC D10/30-39, 128; 368/294, 295, 312,
368/313

See application file for complete search history.

(56) **References Cited**

U.S. PATENT DOCUMENTS

1,804,734	A *	5/1931	Balzer	368/295
D157,607	S *	3/1950	Lachman	D10/38
4,034,552	A *	7/1977	Davidson	368/280
D288,668	S *	3/1987	Flury	D10/31
D352,469	S *	11/1994	Schlup	D10/39
5,490,123	A *	2/1996	Biver	368/295
D399,447	S	10/1998	Pandel	
D440,888	S *	4/2001	Strasser	D10/39
D454,076	S *	3/2002	Baroche	D10/31
6,464,390	B1 *	10/2002	Baroche	368/281
6,944,098	B2 *	9/2005	Rochat et al.	368/88
6,950,374	B2 *	9/2005	McKay	368/10
D533,086	S *	12/2006	Bedat	D10/32
D551,093	S *	9/2007	Hegi	D10/31
D551,098	S *	9/2007	Modolo	D10/32
D565,425	S *	4/2008	Liao	D10/30
D576,906	S	9/2008	Calvani	
D591,620	S *	5/2009	Giannini	D10/32
D592,080	S *	5/2009	Mijatovic	D10/39
D603,723	S *	11/2009	Giannini	D10/31
7,901,129	B2	3/2011	Bertrand et al.	

D642,075 S * 7/2011 Crocco D10/39
7,988,350 B2 8/2011 Bonnet et al.
8,052,323 B2 11/2011 Takeda

(Continued)

Primary Examiner — Lucy Lieberman

(74) *Attorney, Agent, or Firm* — Sean P. O’Hanlon, Esq., PLLC

(57) **CLAIM**

The ornamental design for a watch bezel, as shown and described.

DESCRIPTION

FIG. 1 is a perspective view of a watch bezel with a hinged element shown in a first use position.

FIG. 2 is a perspective view of the watch bezel shown with the hinged element at a first transition point between the first use position of FIG. 1 and a second use position.

FIG. 3 is a side view showing the watch bezel with the hinged element in the first use position;

FIG. 4 is a side view of the watch bezel with the hinged element shown at the transition point shown in FIG. 2;

FIG. 5 is a side view of the watch bezel with the hinged element in a second transition point between the first and second use positions.

FIG. 6 is a side view of the watch bezel with the hinged element in a third transition point between the first and second use positions.

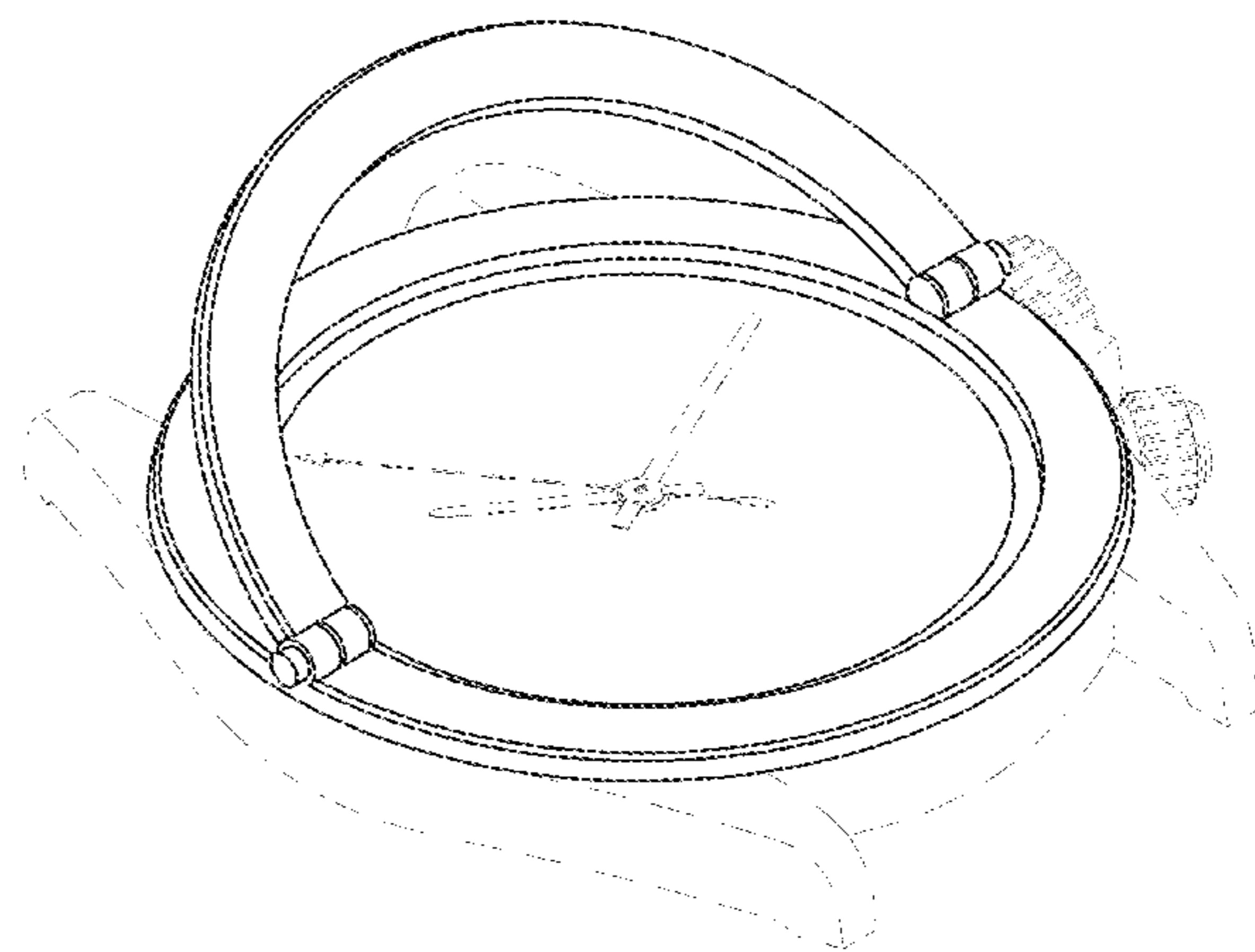
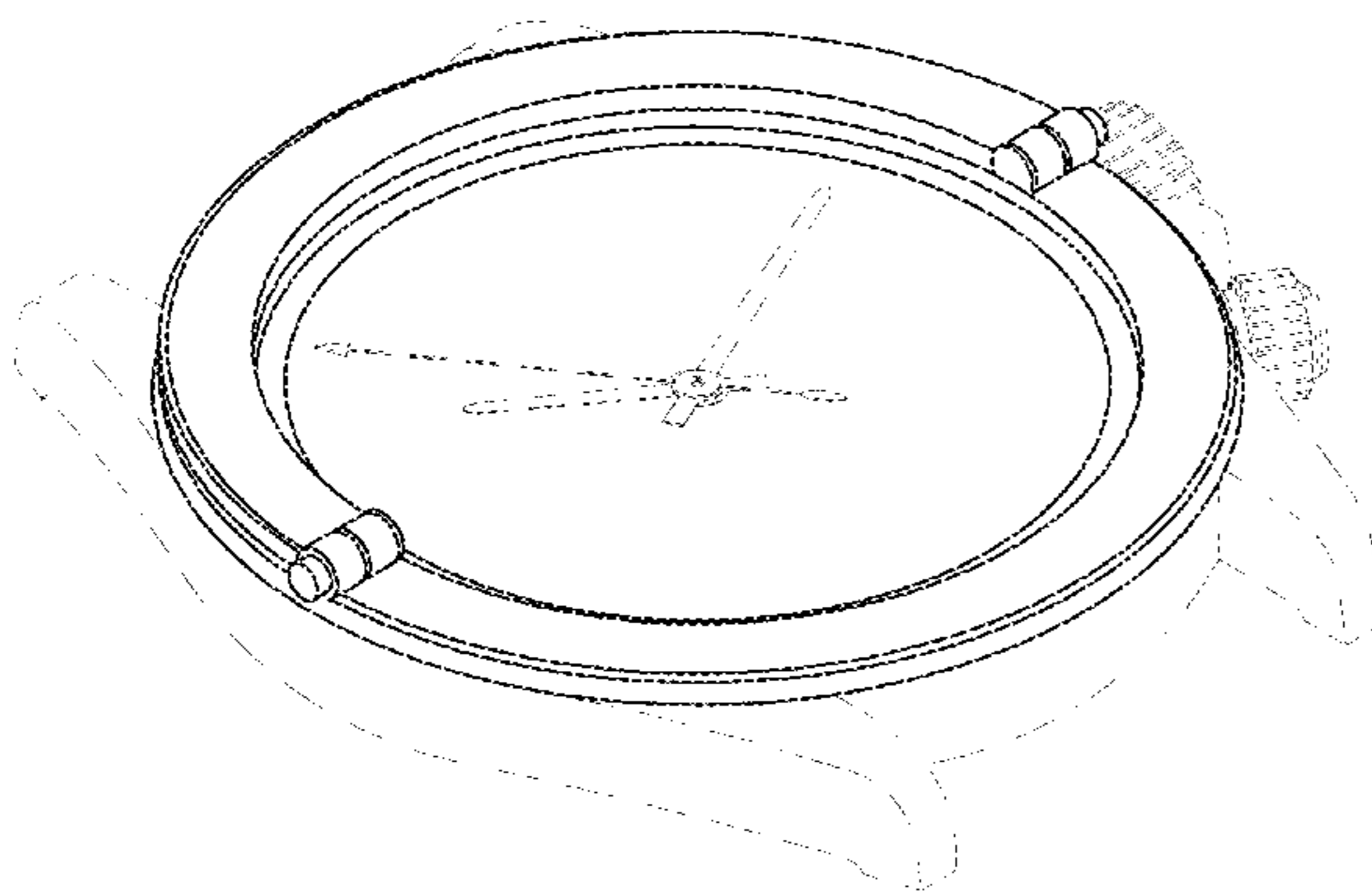
FIG. 7 is a side view of the watch bezel shown with the hinged element in the second use position.

FIG. 8 is a top view of the watch bezel with the hinged element shown in the first use position; and,

FIG. 9 is a top view of the watch bezel shown with the hinged element in the second use position with the entire bezel shown rotated approximately 45 degrees counter-clockwise.

The structures depicted by means of broken lines in the figures have been shown for illustrative purposes only and form no part of the claimed design.

1 Claim, 9 Drawing Sheets



(56)

References Cited

U.S. PATENT DOCUMENTS

D651,929 S 1/2012 Bertucci
D652,326 S 1/2012 Kummer

D668,971 S * 10/2012 Tedeschi D10/39
8,770,832 B1 * 7/2014 Kuo 368/295
2014/0204721 A1 * 7/2014 Kuo 368/295

* cited by examiner

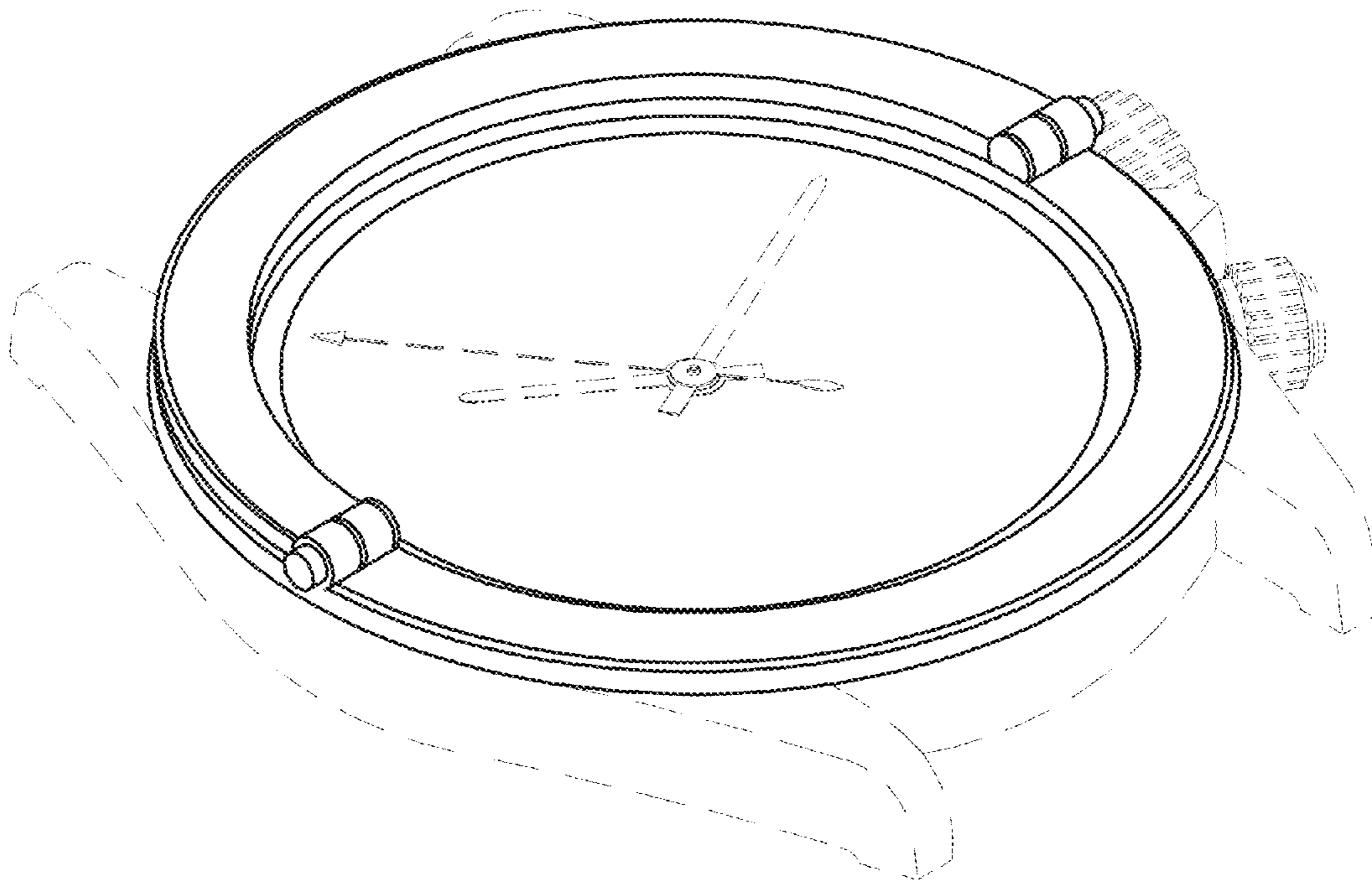


FIG. 1

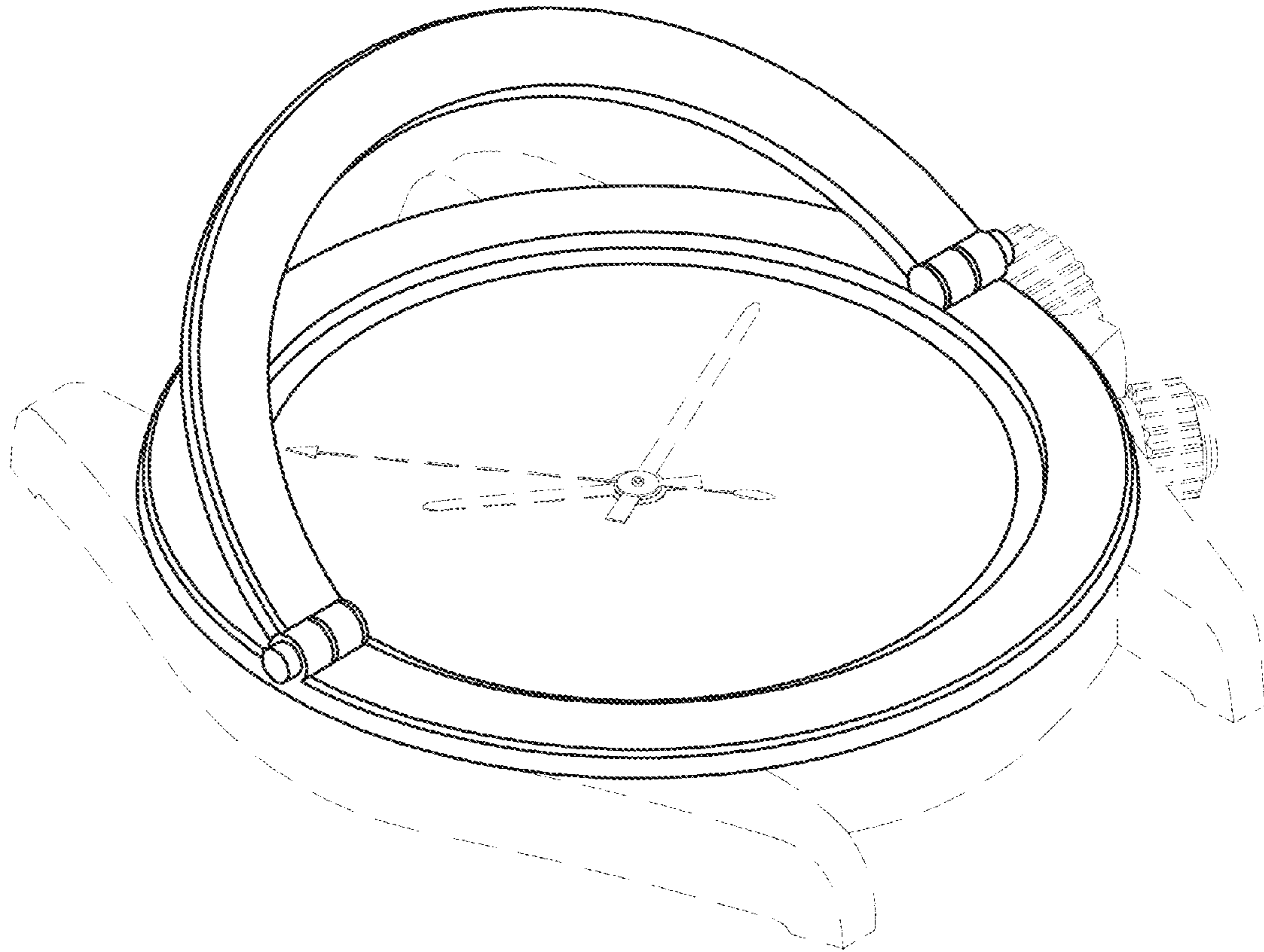


FIG. 2

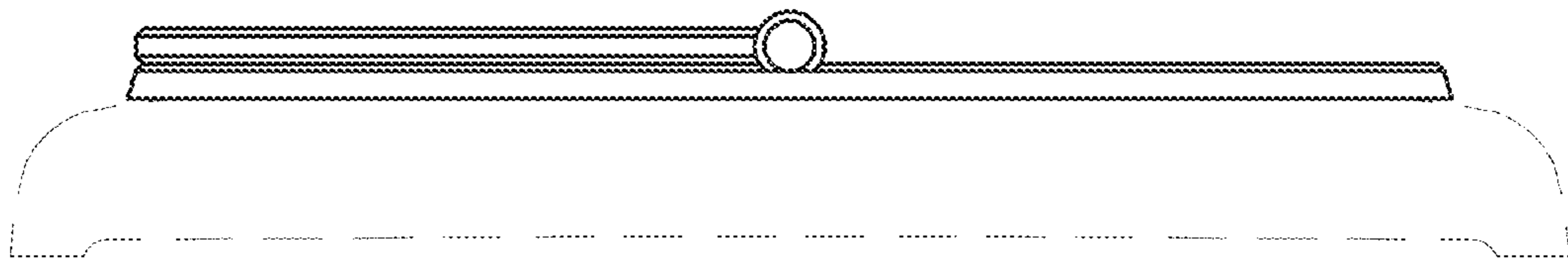


FIG. 3

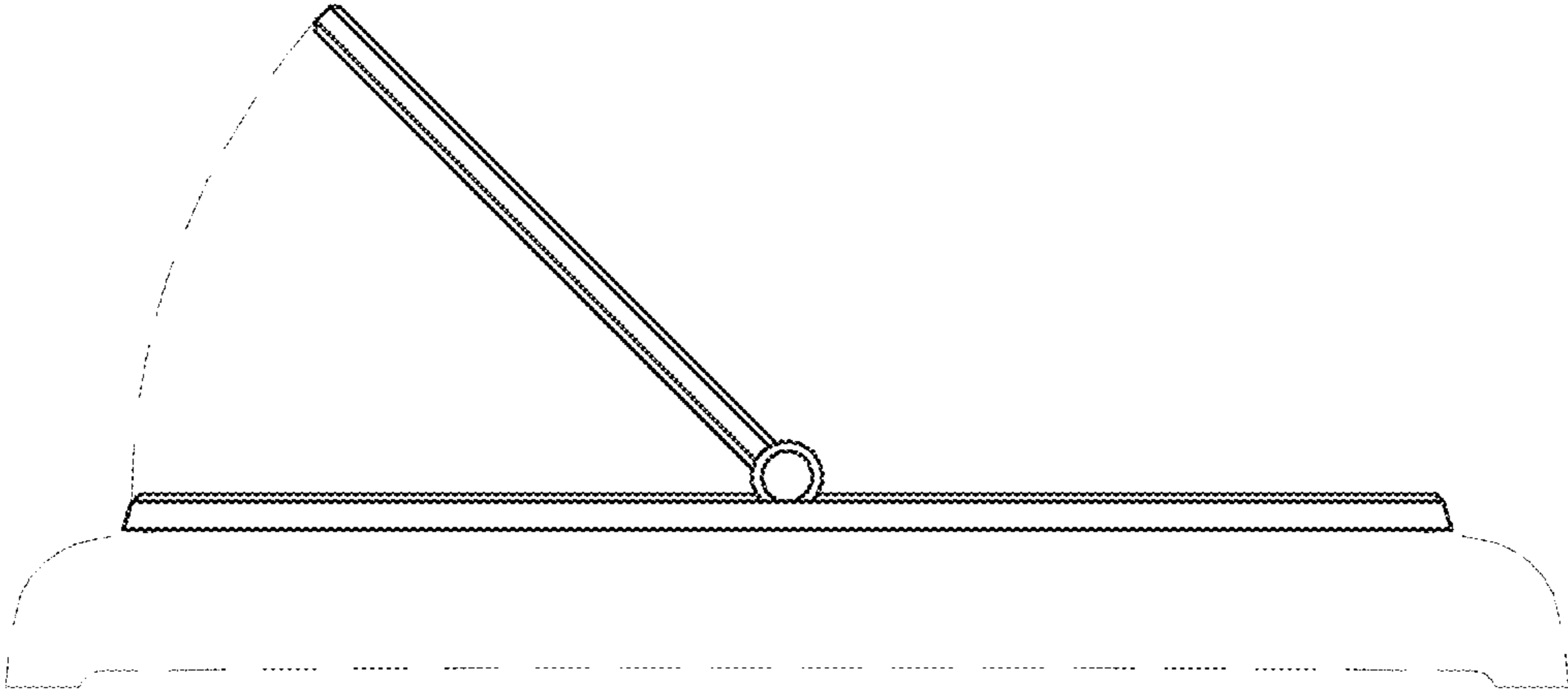


FIG. 4

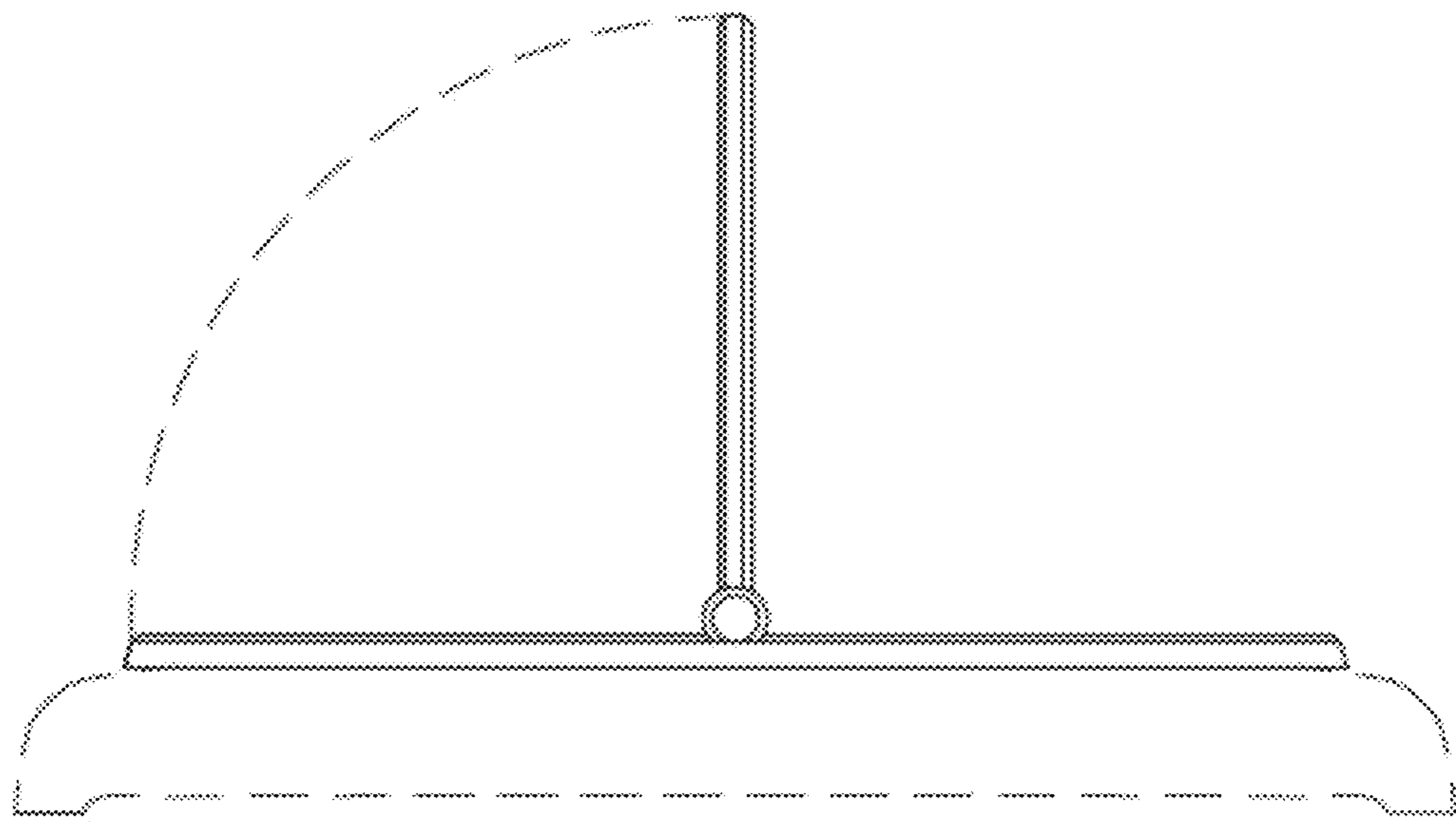


FIG. 5

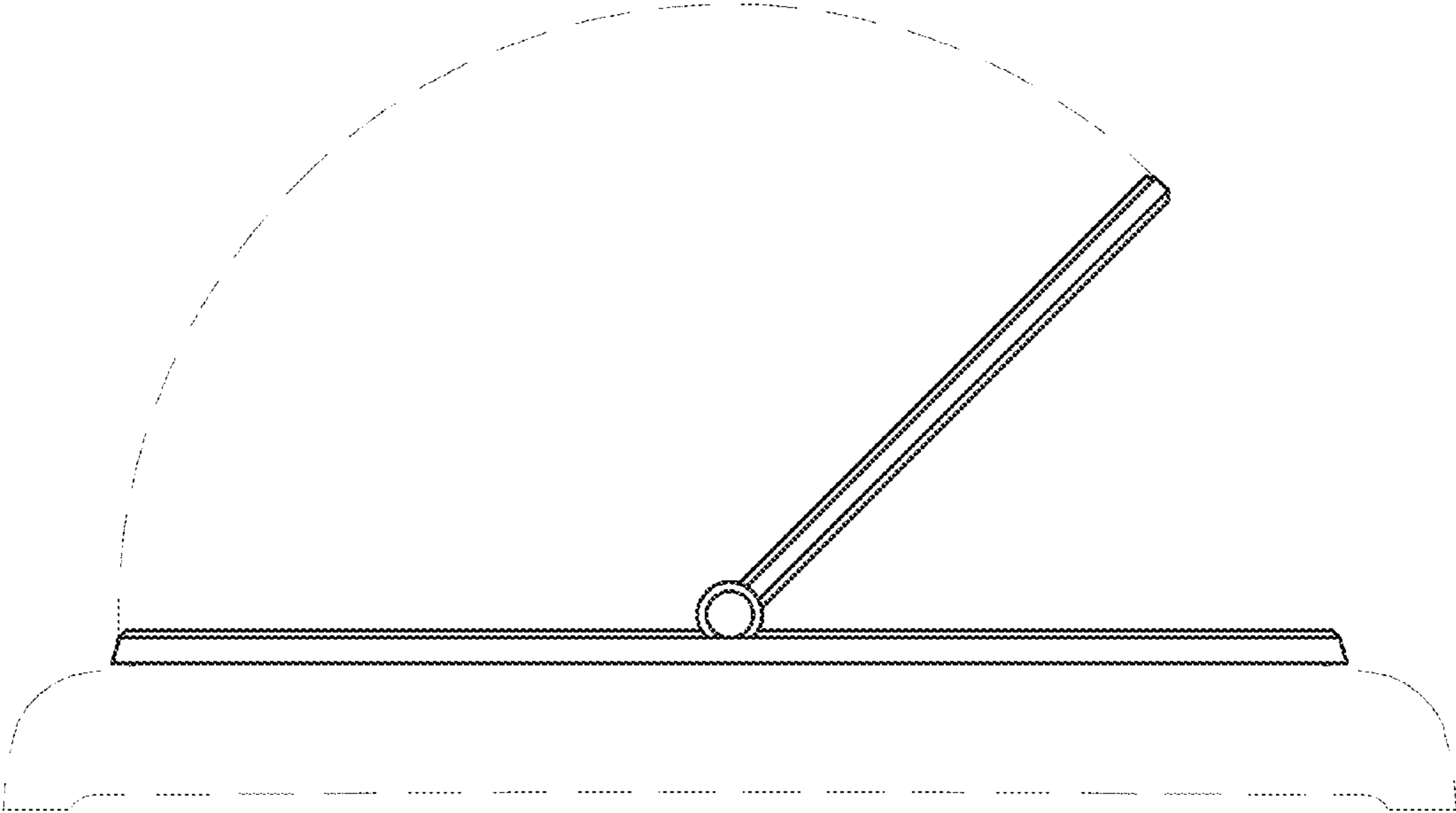


FIG. 6

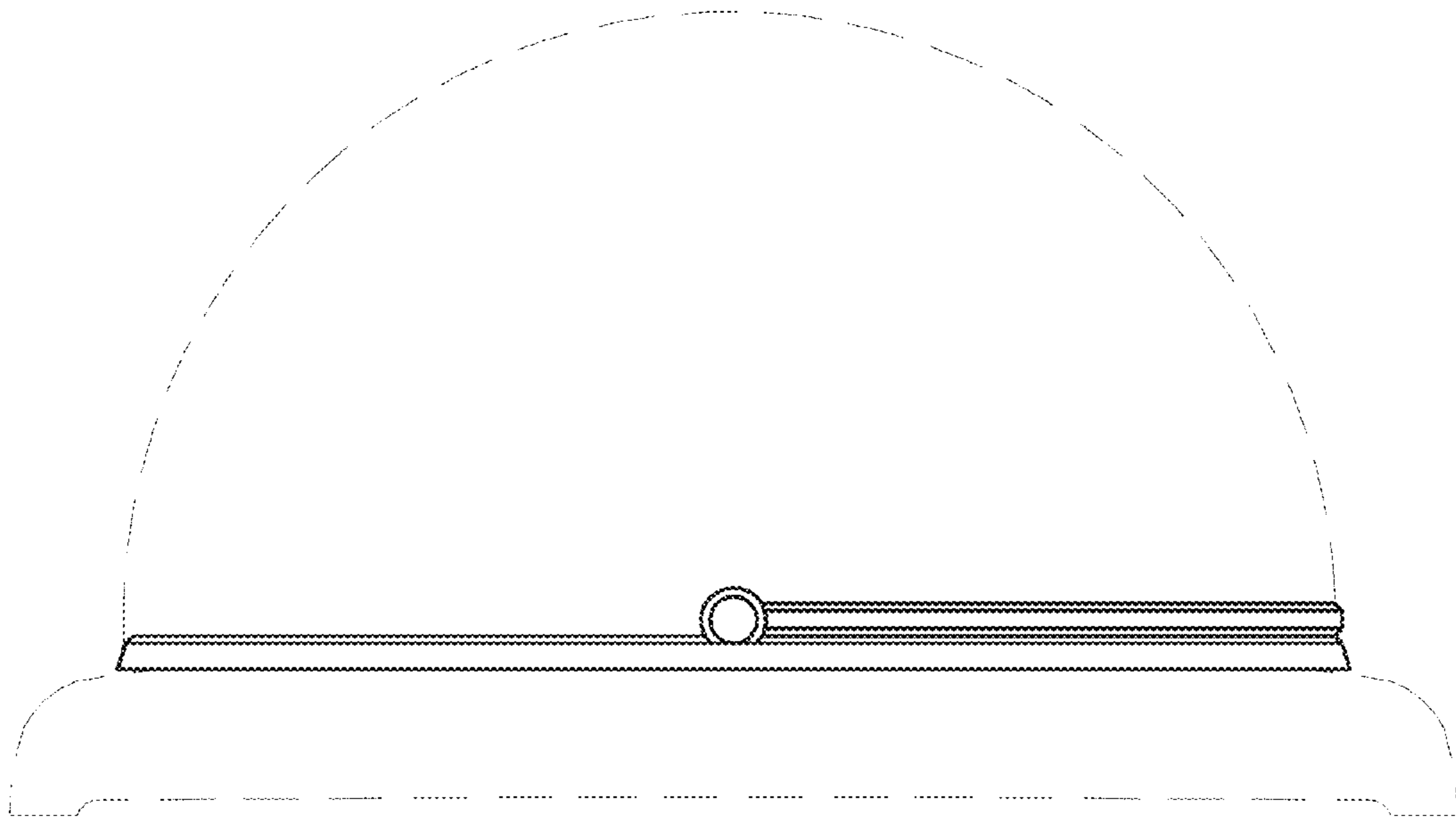


FIG. 7

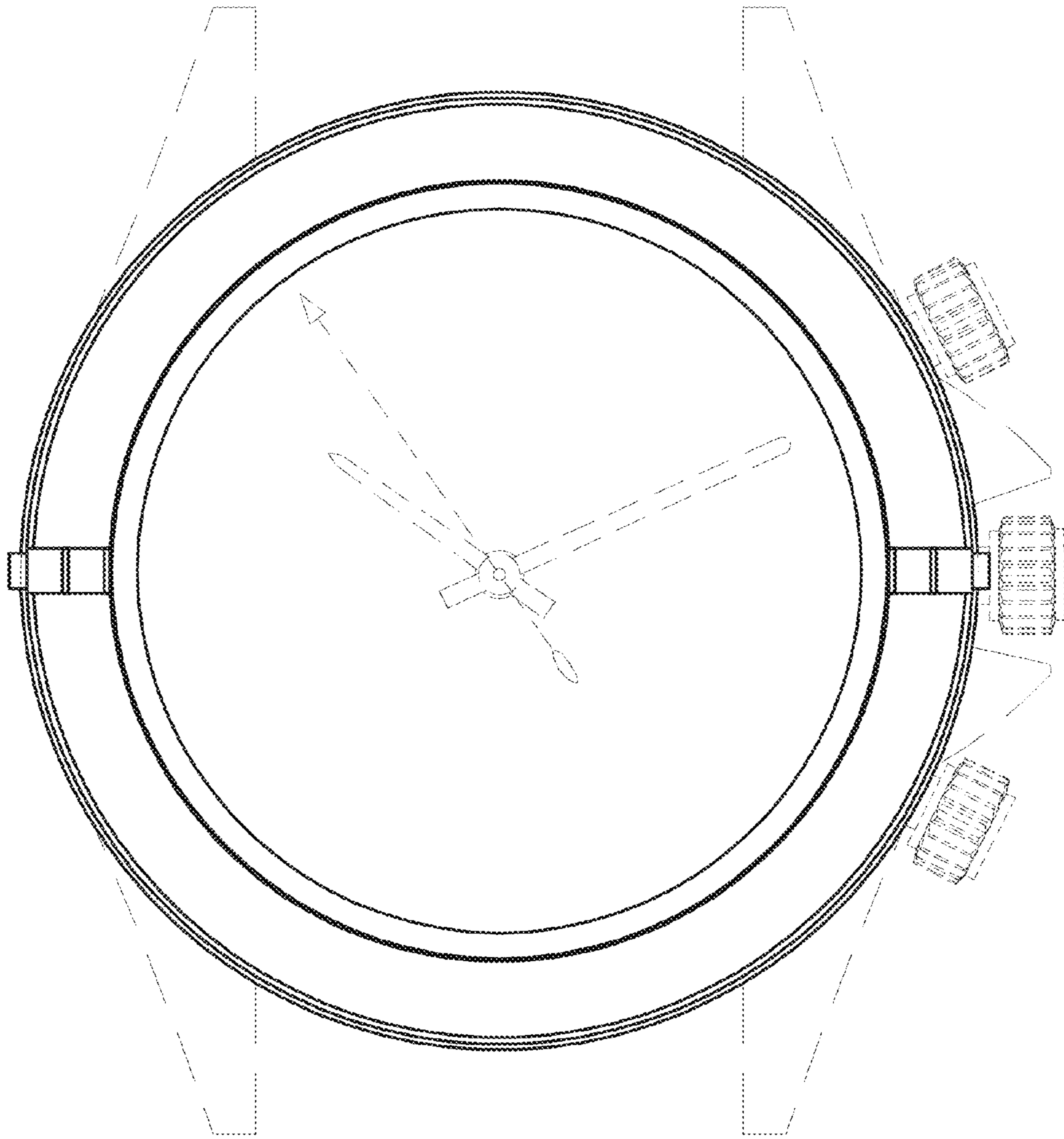


FIG. 8

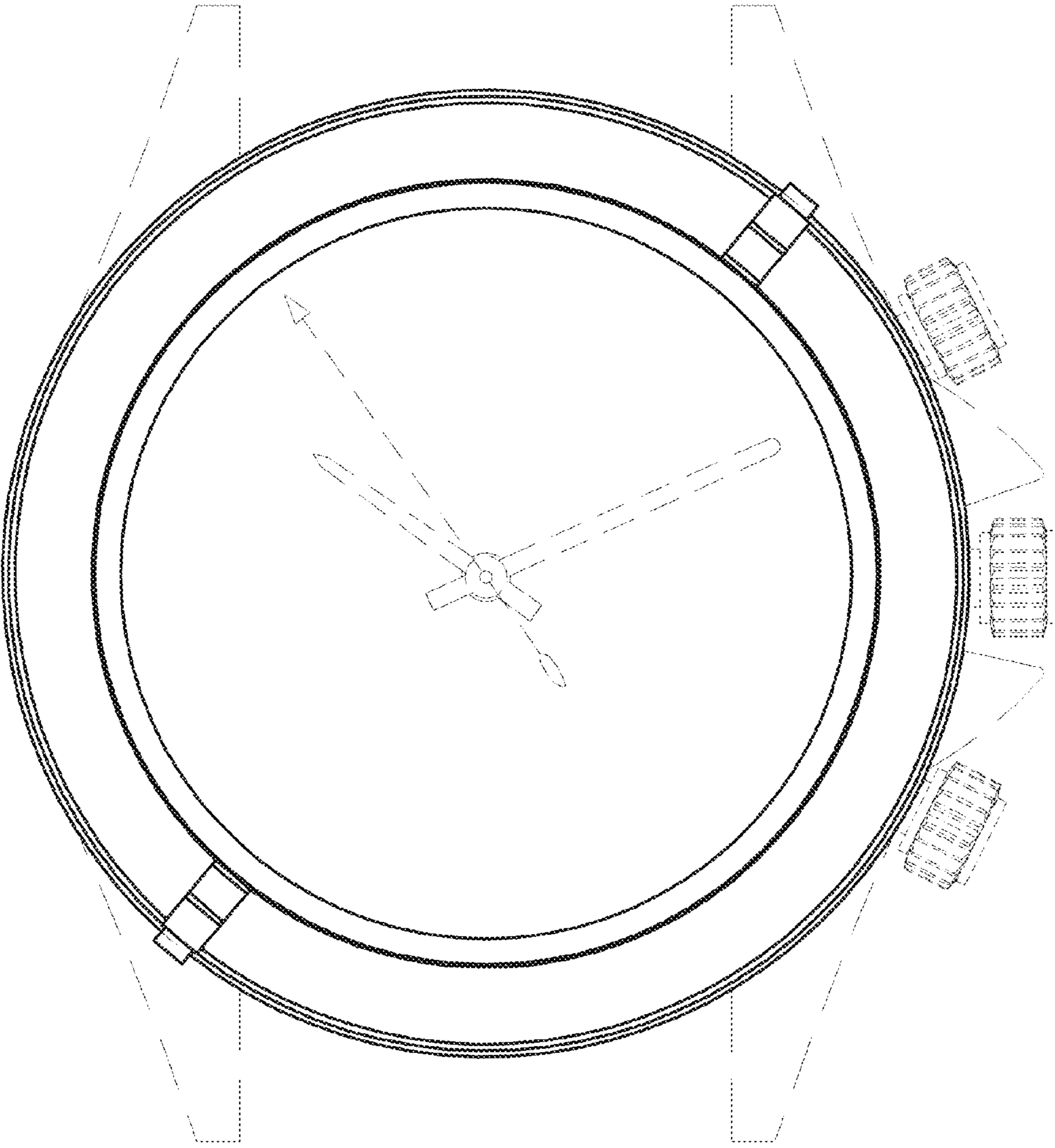


FIG. 9