



US00D730227S

(12) **United States Design Patent**
Haase

(10) **Patent No.:** **US D730,227 S**

(45) **Date of Patent:** **** May 26, 2015**

(54) **HOUR AND MINUTE HANDS FOR USE WITH
A CLOCK FACE**

(71) Applicant: **Rainer Haase**, Berlin (DE)

(72) Inventor: **Rainer Haase**, Berlin (DE)

(73) Assignee: **Rainer Haase**, Berlin (DE)

(**) Term: **14 Years**

(21) Appl. No.: **29/504,426**

(22) Filed: **Oct. 6, 2014**

(51) **LOC (10) Cl.** **10-07**

(52) **U.S. Cl.**

USPC **D10/127**; D10/122

(58) **Field of Classification Search**

CPC G04B 19/00; G04B 19/04; G04B 19/042;
G04B 19/044; G04B 45/0061

USPC D10/1-29, 30-39, 122-132; 368/76,
368/80, 81, 223, 228, 229, 238; 434/131,
434/304; D19/64

See application file for complete search history.

(56) **References Cited**

U.S. PATENT DOCUMENTS

154,717 A * 9/1874 Robert 368/81
D60,020 S * 12/1921 Gaston D10/85
D81,038 S * 4/1930 Wynn D10/124
1,974,357 A * 9/1934 Eklund 368/27
D102,623 S * 1/1937 Schlenker D10/23

D167,787 S * 9/1952 Witmer D10/6
D181,620 S * 12/1957 Bloch D10/124
3,798,892 A * 3/1974 Lukens 368/77
D251,373 S * 3/1979 Herz D10/124
D256,781 S * 9/1980 Mackey D10/6
4,428,682 A * 1/1984 Winter 368/238
5,359,578 A * 10/1994 Truini 368/76
D411,114 S * 6/1999 Mei et al. D10/6
D552,002 S * 10/2007 Eisler D10/126
D553,511 S * 10/2007 Sacca D10/22
D626,876 S * 11/2010 Jones D10/124

* cited by examiner

Primary Examiner — Martie K Holtje

(74) *Attorney, Agent, or Firm* — Notaro, Michalos & Zaccaria P.C.

(57) **CLAIM**

The ornamental design for the hour and minute hands for use with a clock face, as shown and described.

DESCRIPTION

FIG. 1 is a front elevational view of the hour and minute hands for use with a clock face showing my new design with the hands in the 3 o'clock position;

FIG. 2 is a top, right front perspective view thereof;

FIG. 3 is a bottom, right front perspective view thereof;

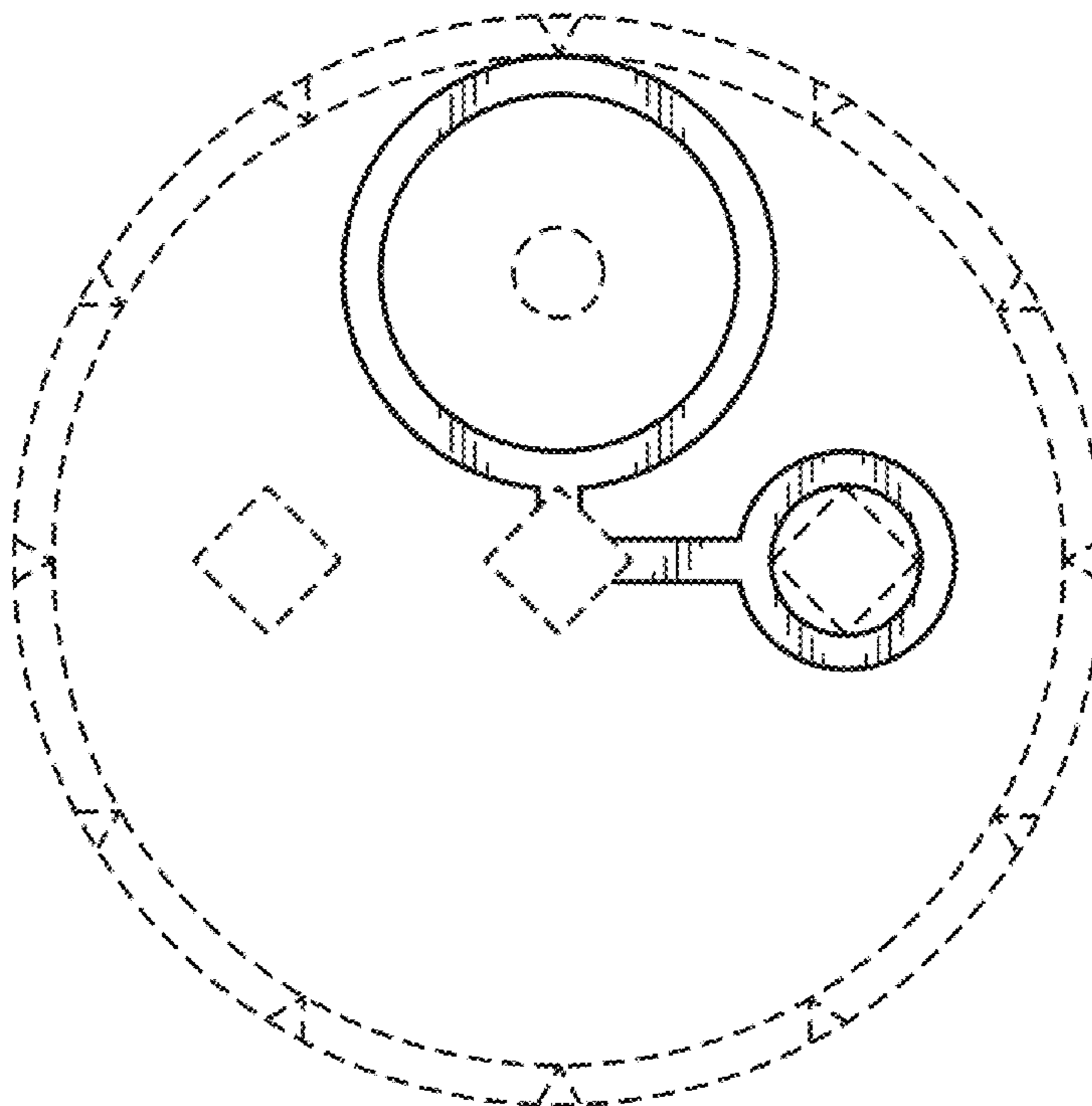
FIG. 4 is a front elevational view thereof with the hands in the 12 o'clock position;

FIG. 5 is a top, right front perspective view of FIG. 4; and,

FIG. 6 is a bottom, right front perspective view of FIG. 4.

The clock face depicted by broken lines represents environment that forms no part of the claimed design.

1 Claim, 2 Drawing Sheets



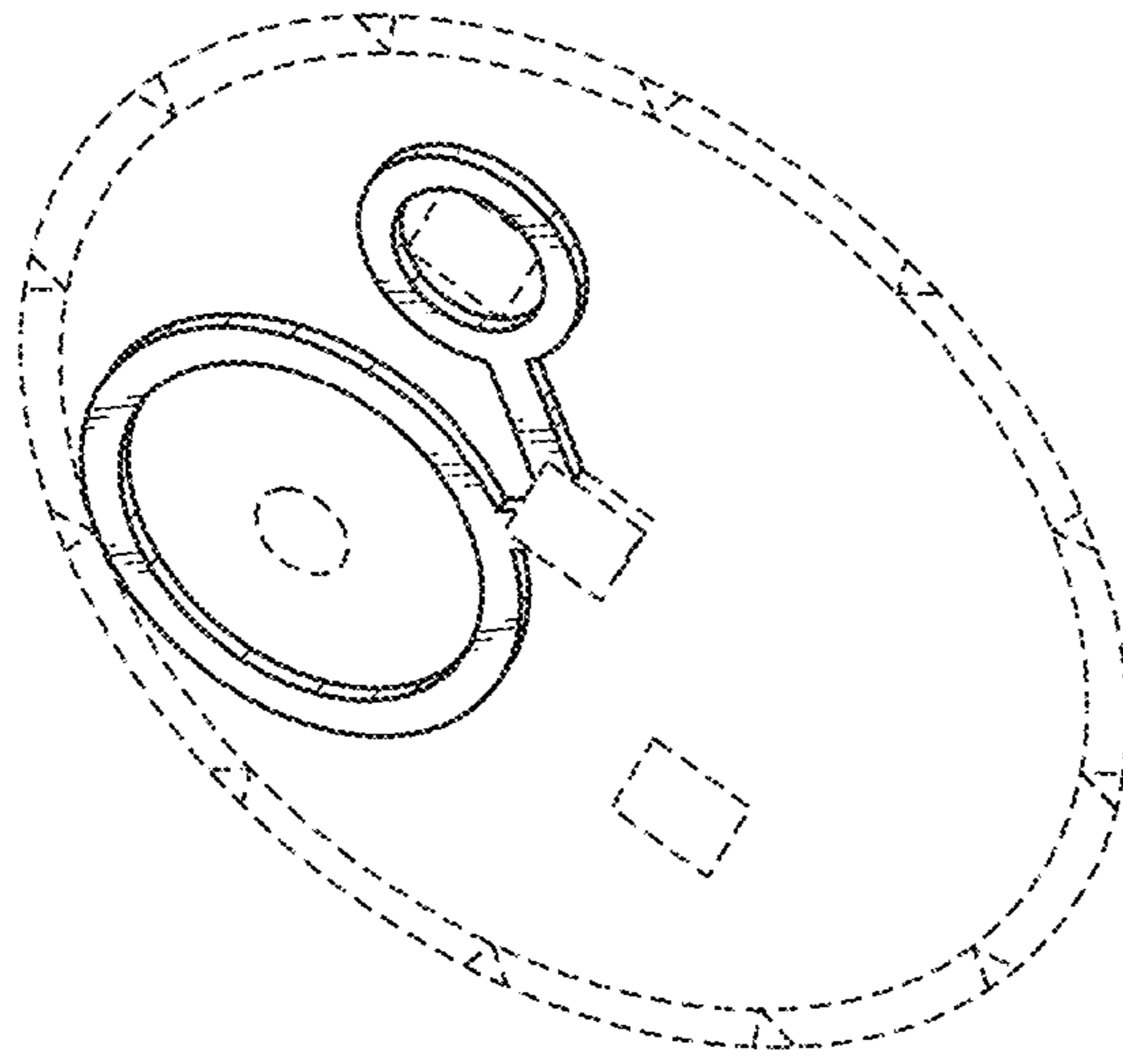


FIG. 1

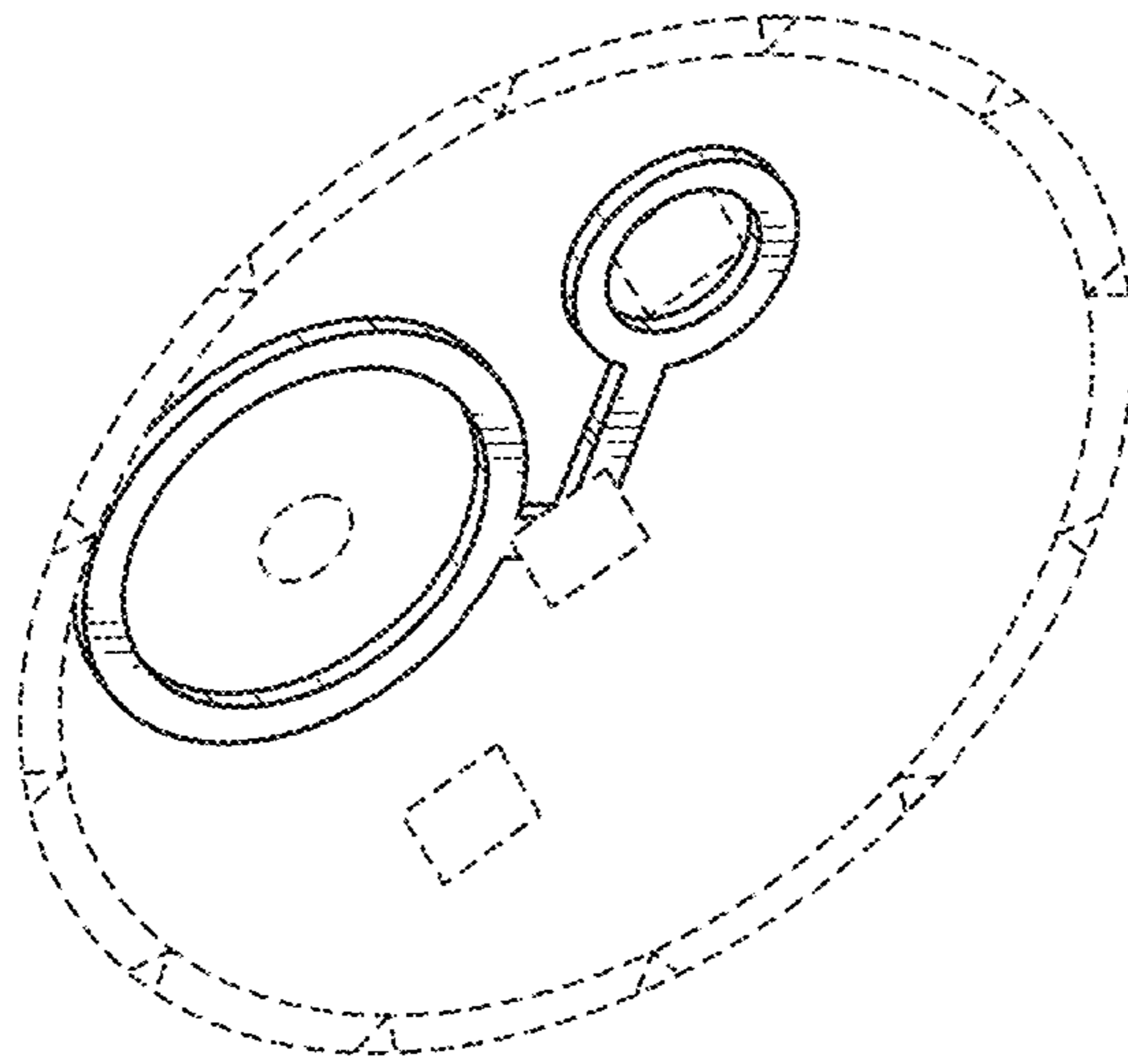


FIG. 2

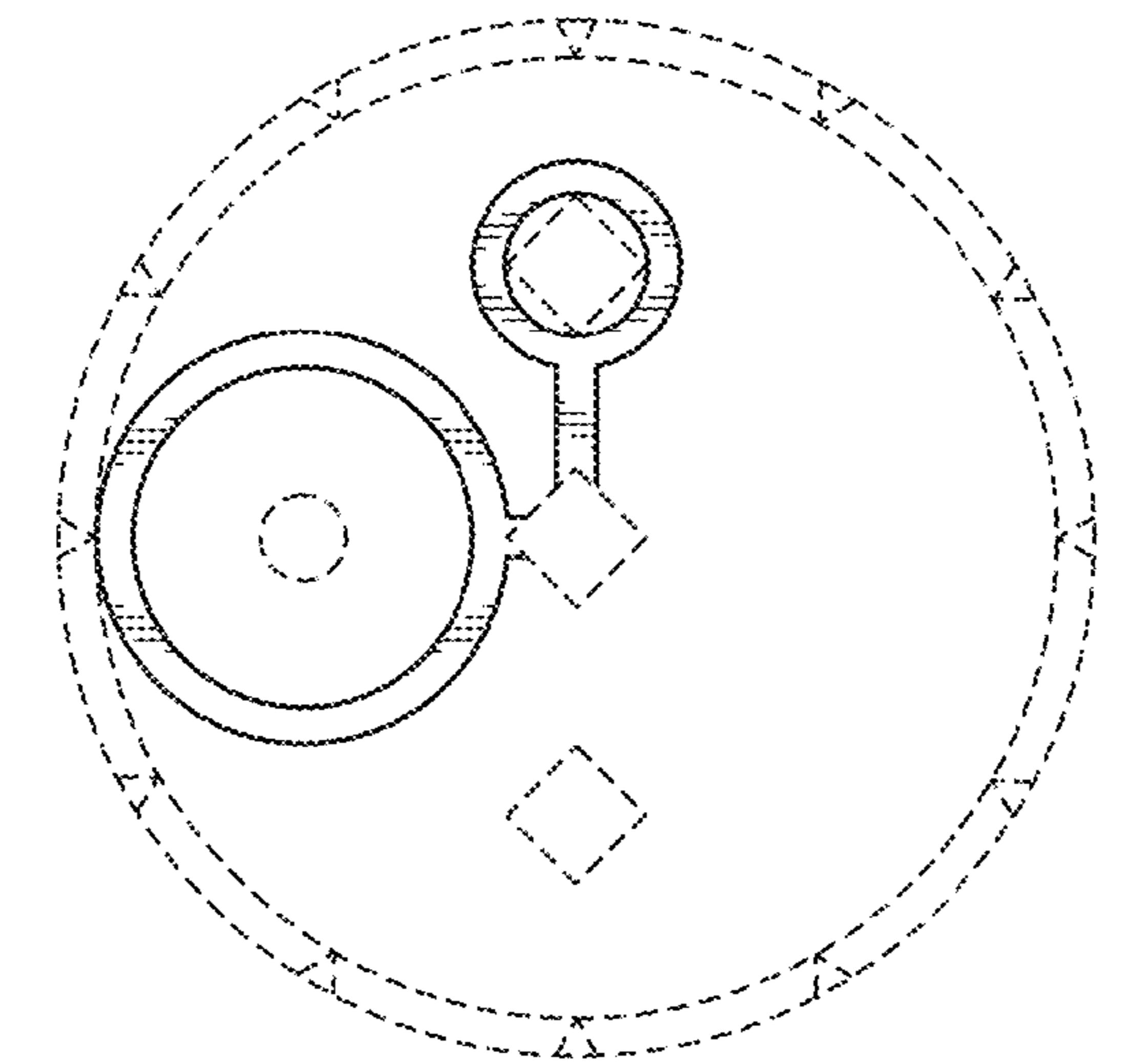


FIG. 3

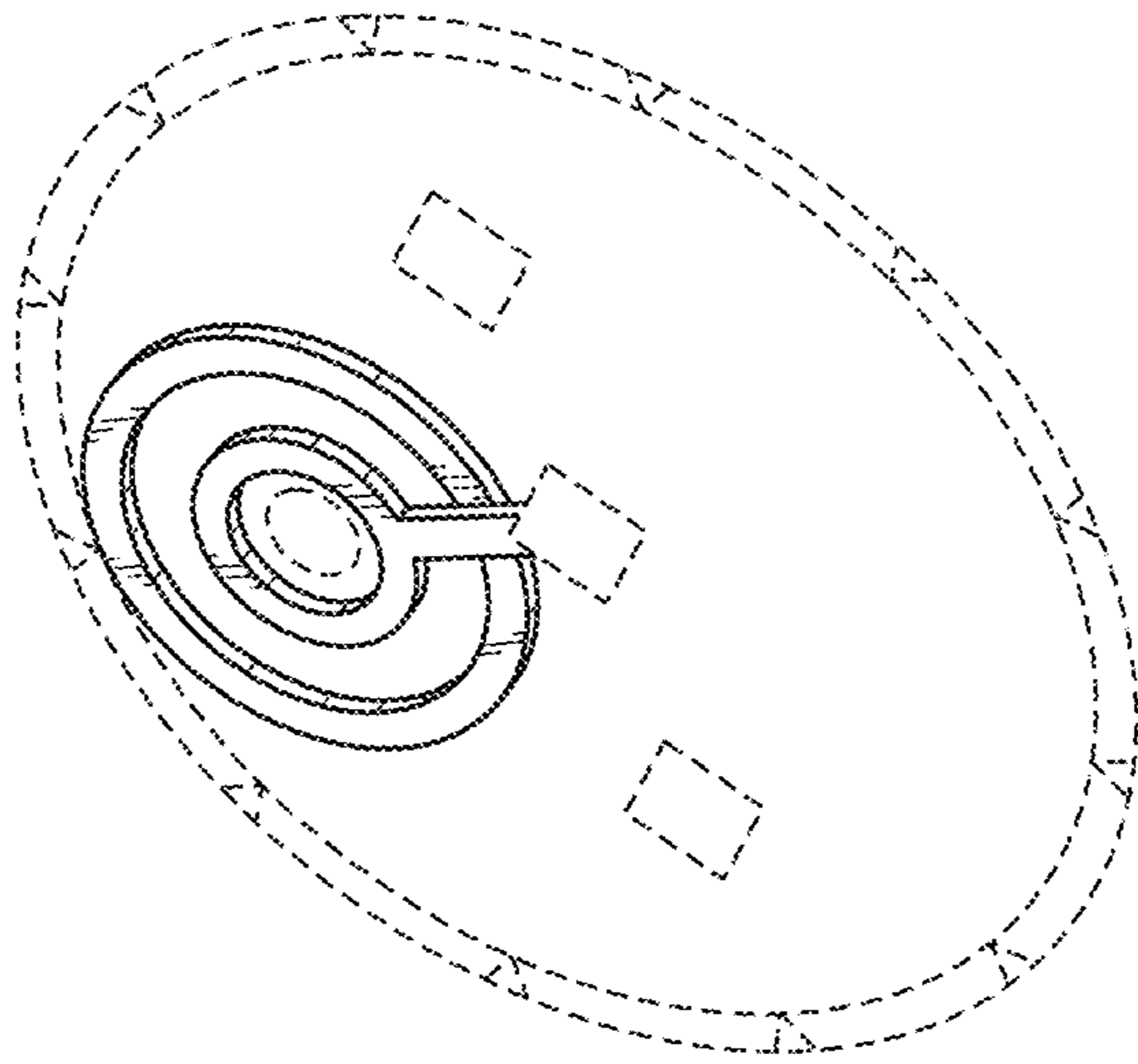


FIG. 4

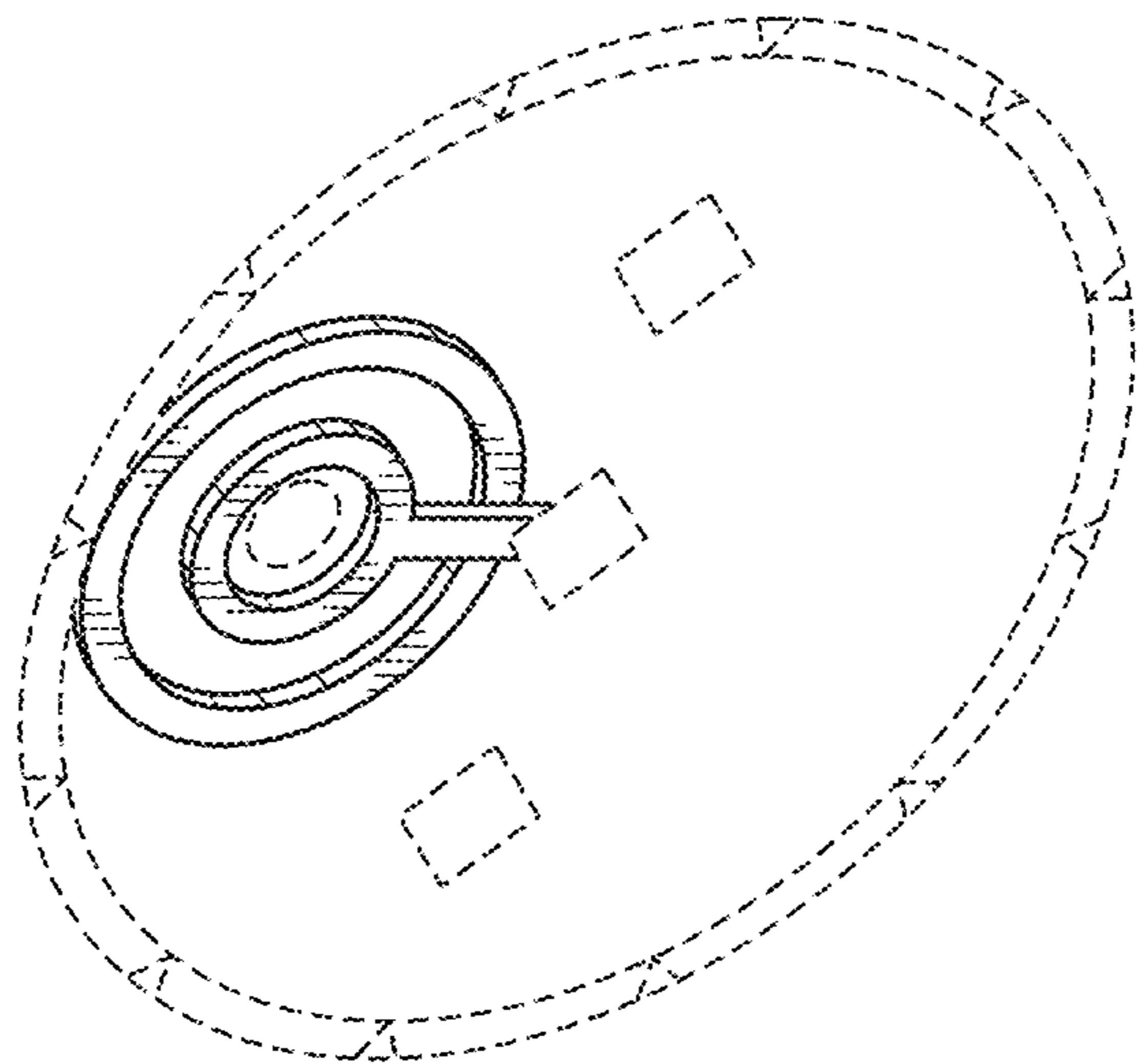


FIG. 5

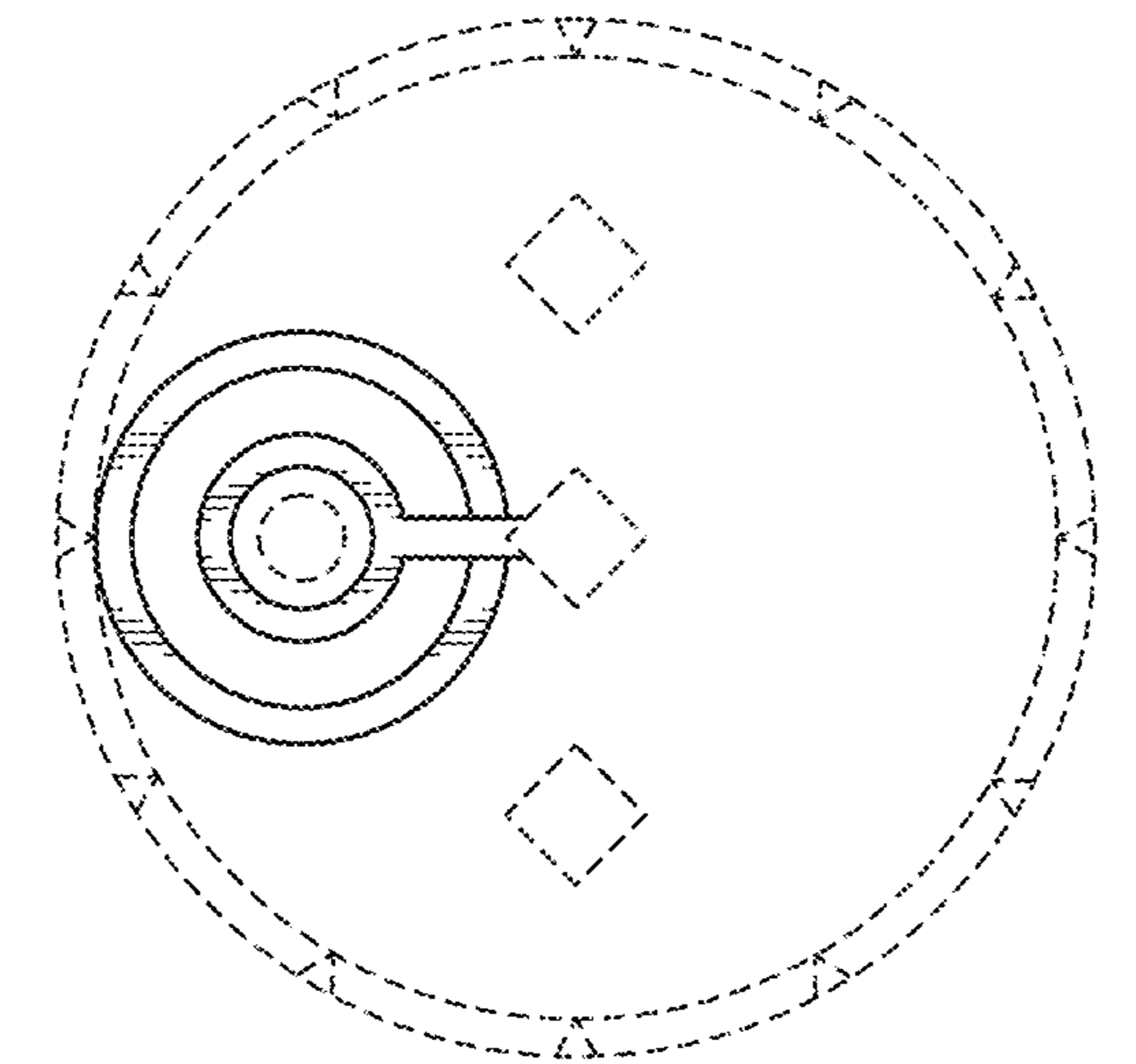


FIG. 6