

US00D730225S

(12) **United States Design Patent**  
**Behar**

(10) **Patent No.:** **US D730,225 S**

(45) **Date of Patent:** **\*\* May 26, 2015**

(54) **ACTIVITY TRACKER CARRIER**

(71) Applicant: **AliphCom**, San Francisco, CA (US)

(72) Inventor: **Yves Albert Behar**, San Francisco, CA (US)

(73) Assignee: **ALIPHCOM**, San Francisco, CA (US)

(\*\*) Term: **14 Years**

(21) Appl. No.: **29/508,196**

(22) Filed: **Nov. 4, 2014**

(51) **LOC (10) Cl.** ..... **10-04**

(52) **U.S. Cl.**  
USPC ..... **D10/103**

(58) **Field of Classification Search**

CPC ..... G08G 1/096883; G08G 1/096872;  
G08G 1/096775; G01C 21/16; G01C 21/3688;  
G01C 21/30; G01V 8/20; G01J 5/02; G01J  
5/023; G01J 5/24; G01J 5/10; G01J 5/20;  
G01J 5/0235; G01J 5/08; G01J 5/0853;  
G01J 5/33; G01J 5/34  
USPC ..... D10/30-39, 65, 70, 78, 97, 98, 103;  
D11/3; D13/173-177; D14/138 R,  
D14/203.5, 247, 338-340, 344, 346, 347;  
D24/167, 168

See application file for complete search history.

(56) **References Cited**

U.S. PATENT DOCUMENTS

D292,677 S	*	11/1987	Jordi	.....	D10/31
D301,120 S	*	5/1989	Alviti	.....	D11/2
D313,759 S	*	1/1991	Nomizu	.....	D10/31
D596,508 S	*	7/2009	Warren	.....	D10/31
D657,702 S	*	4/2012	Au Yeung	.....	D10/70
D666,112 S	*	8/2012	Chang	.....	D10/70
D692,784 S	*	11/2013	Anderssen et al.	.....	D10/65
D709,392 S	*	7/2014	Wang et al.	.....	D10/70

\* cited by examiner

*Primary Examiner* — Antoine D Davis

(74) *Attorney, Agent, or Firm* — Kilpatrick Townsend & Stockton, LLP

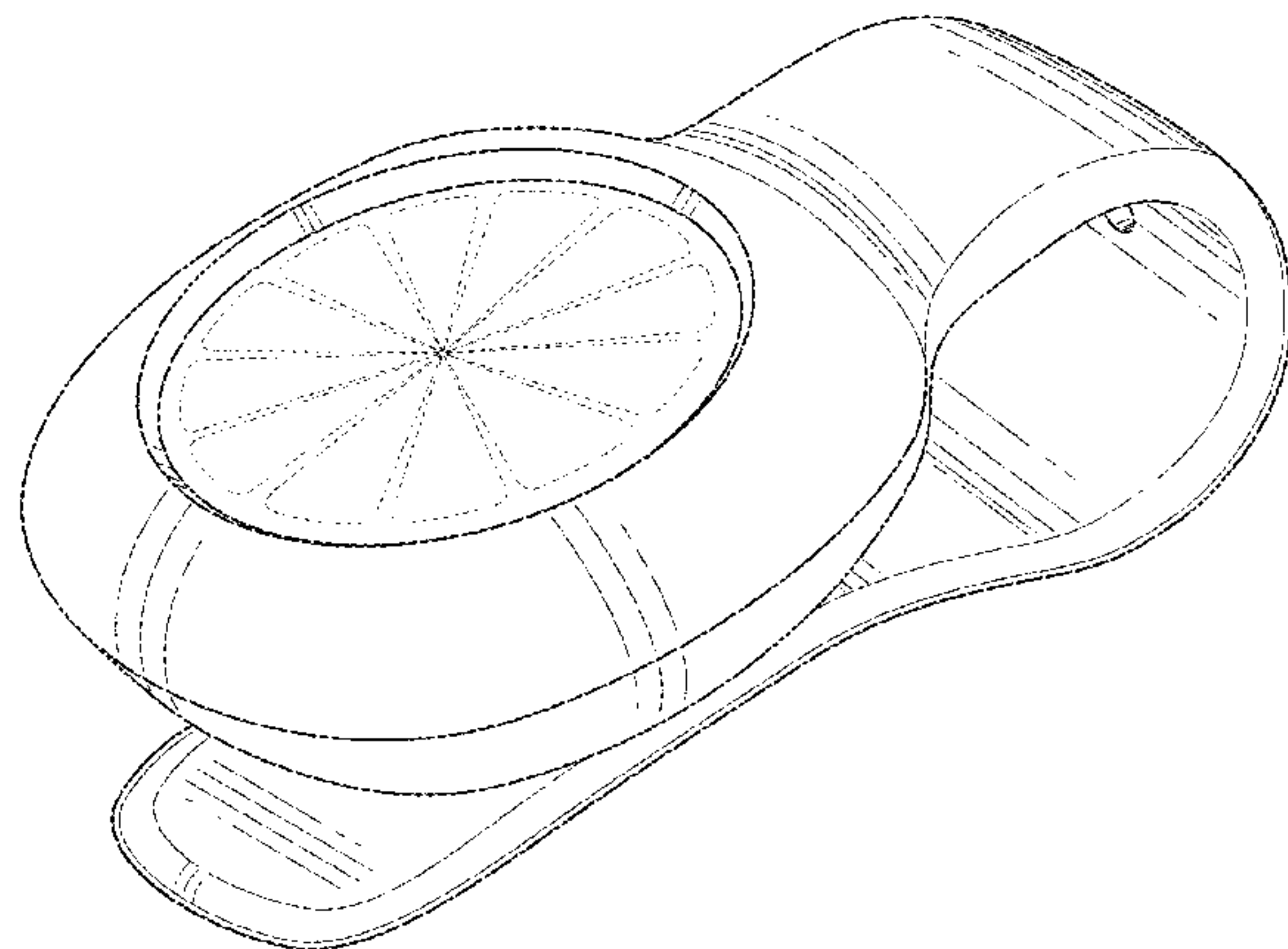
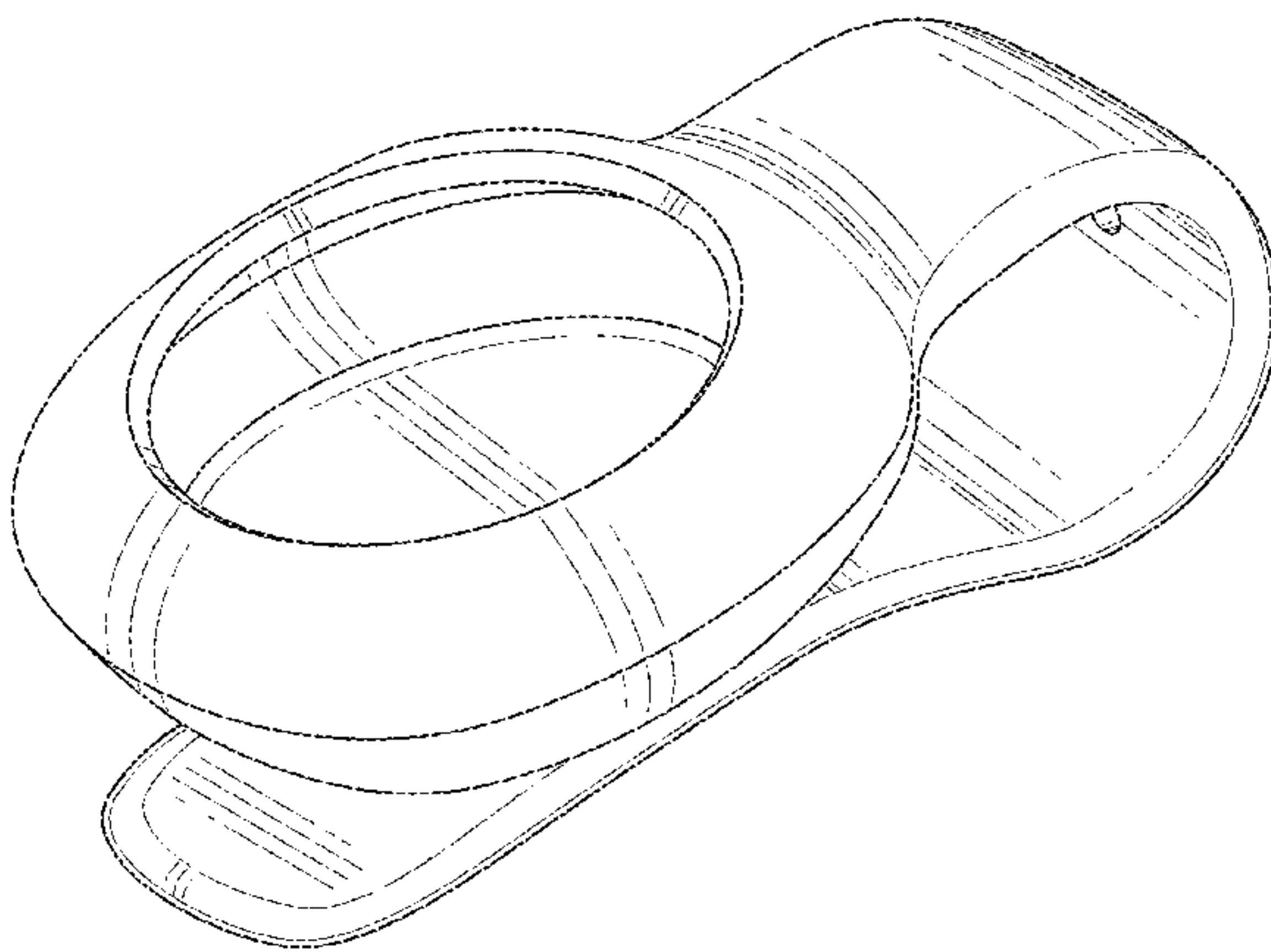
(57) **CLAIM**

The ornamental design for an activity tracker carrier, as shown and described.

**DESCRIPTION**

FIG. 1 is a perspective view of an activity tracker carrier showing my new design;  
FIG. 2 is a front elevational view thereof;  
FIG. 3 is a back elevational view thereof;  
FIG. 4 is a left side elevational view thereof;  
FIG. 5 is a right side elevational view thereof;  
FIG. 6 is a top view thereof;  
FIG. 7 is a bottom view thereof; and,  
FIG. 8 is an alternative perspective view thereof.  
The broken line showing of structural features is included for the purpose of illustrating non-claimed subject matter and forms no part of the claimed design.

**1 Claim, 8 Drawing Sheets**



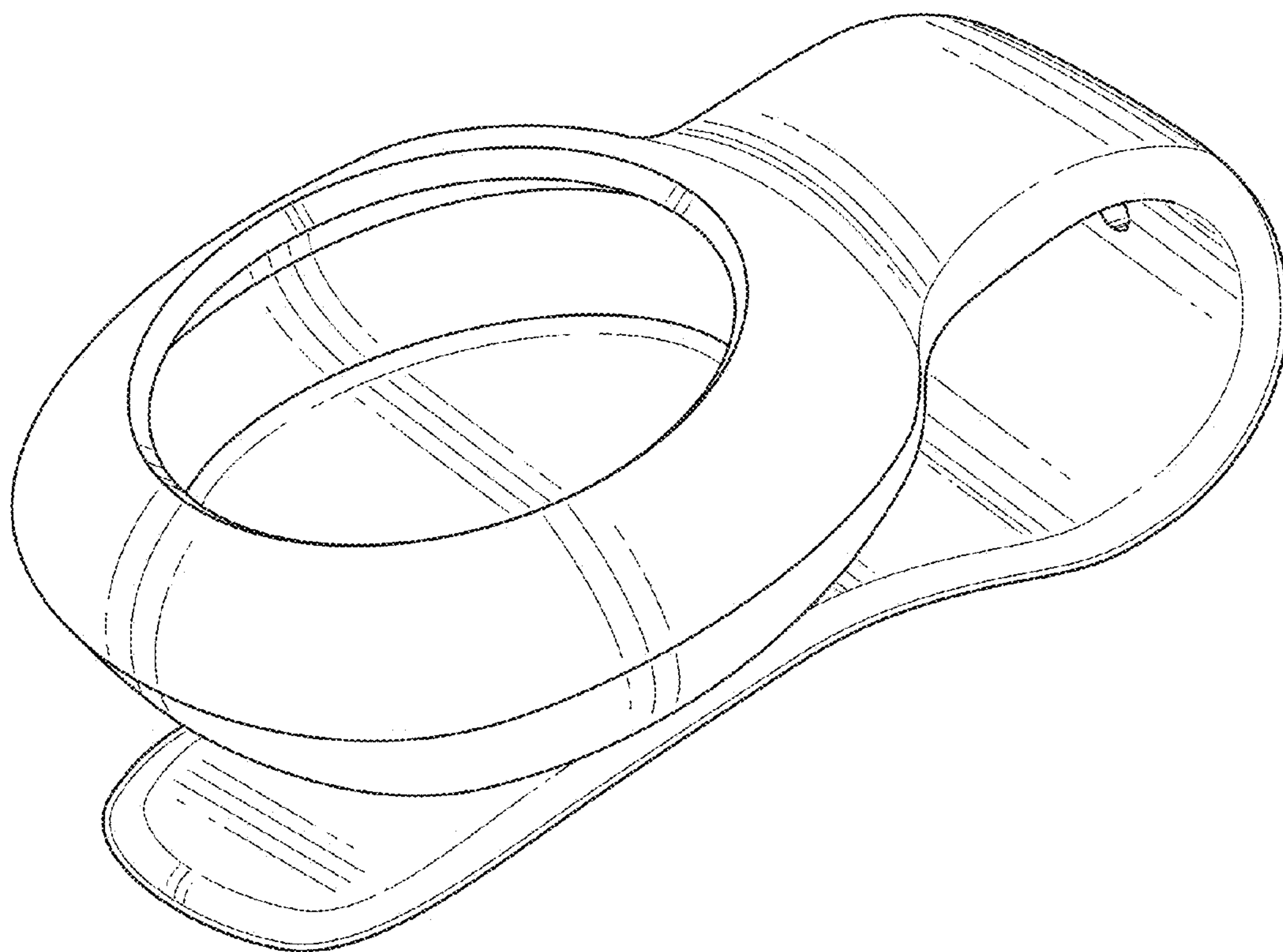


FIG. 1

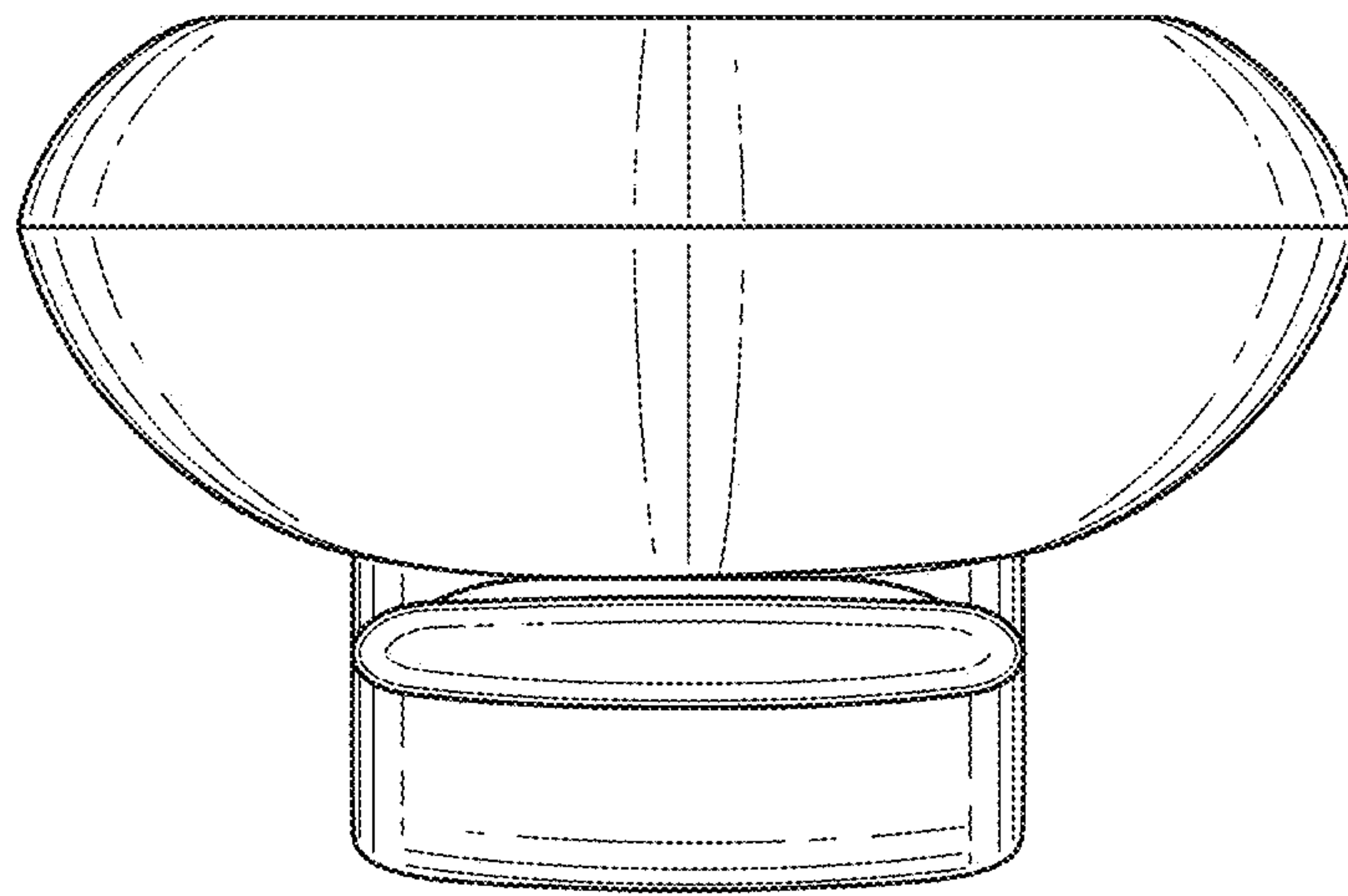


FIG. 2

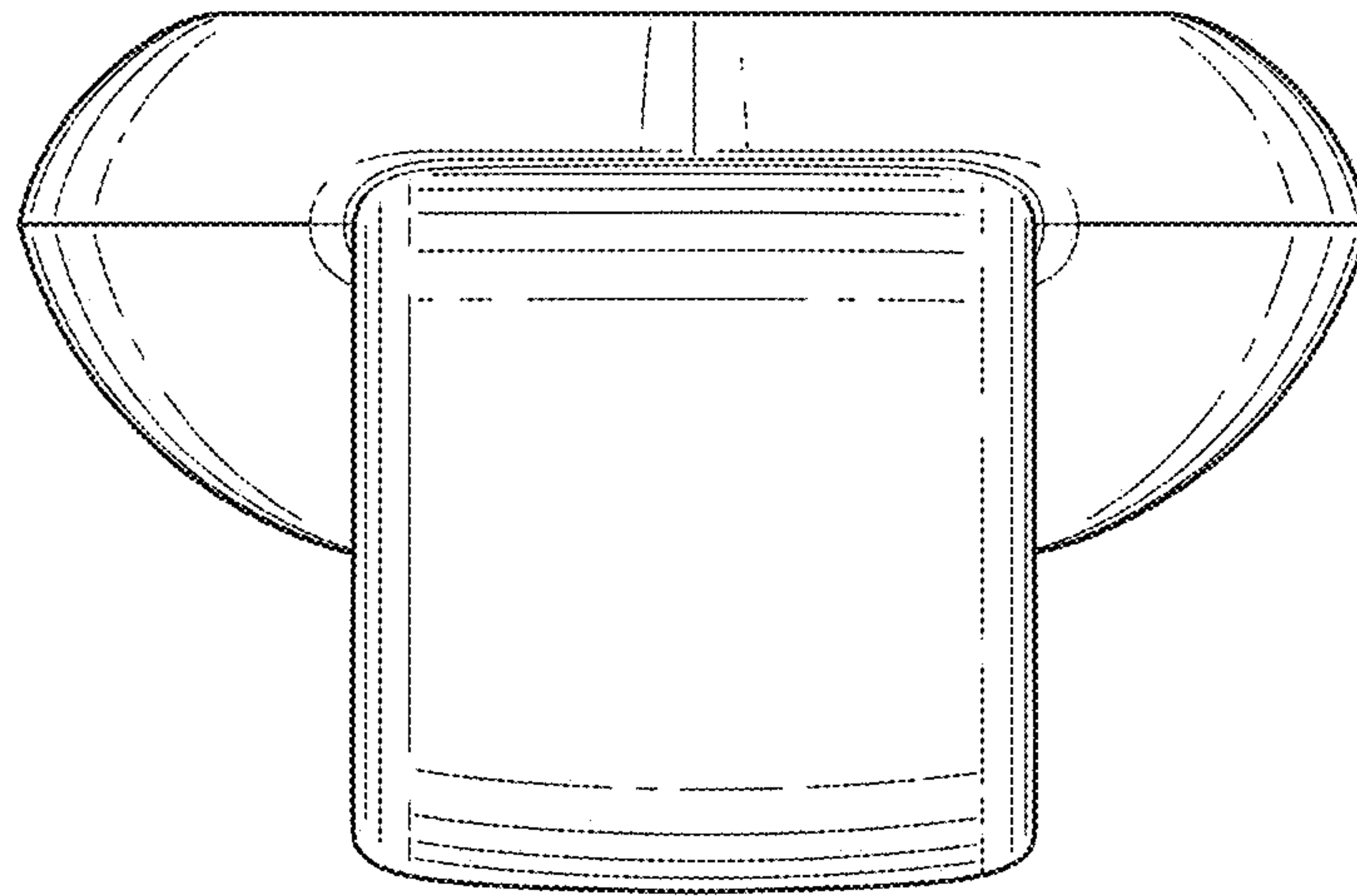


FIG. 3

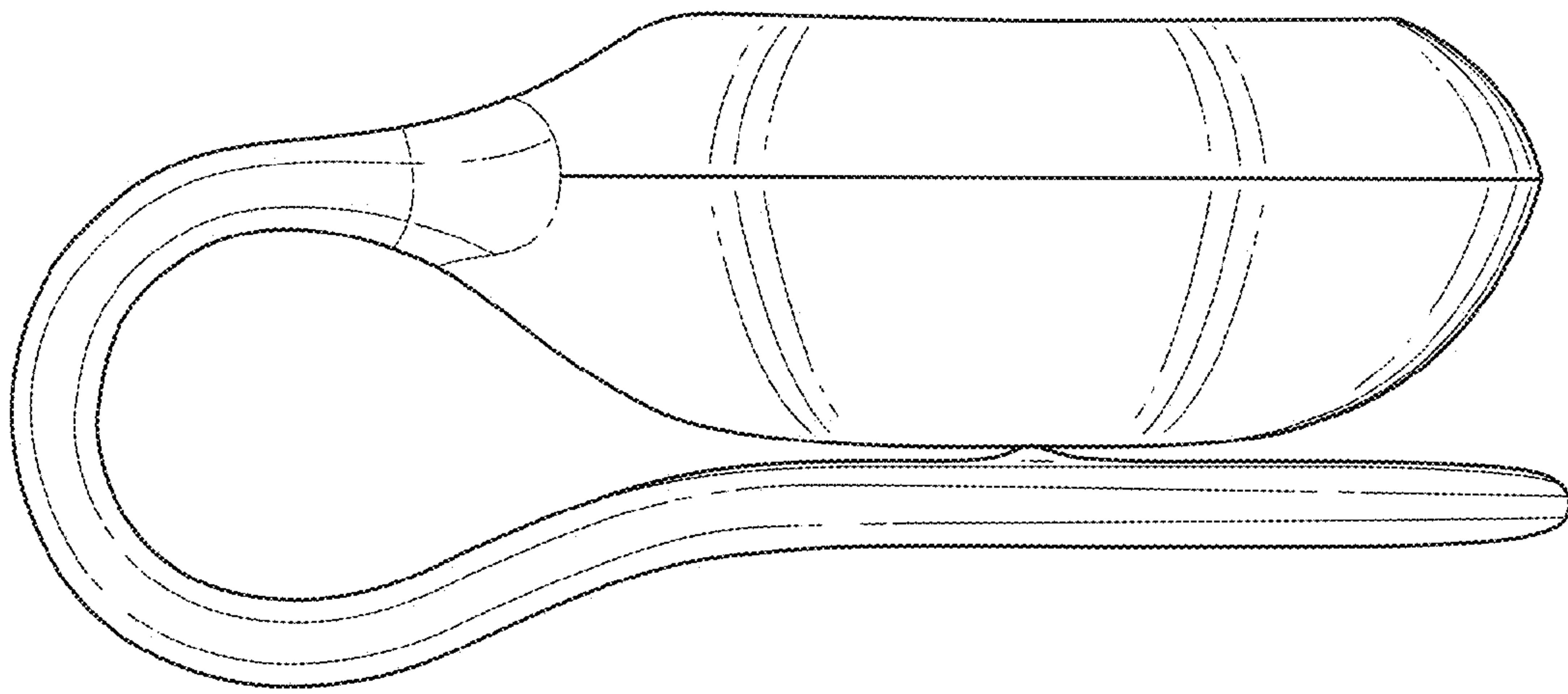


FIG. 4

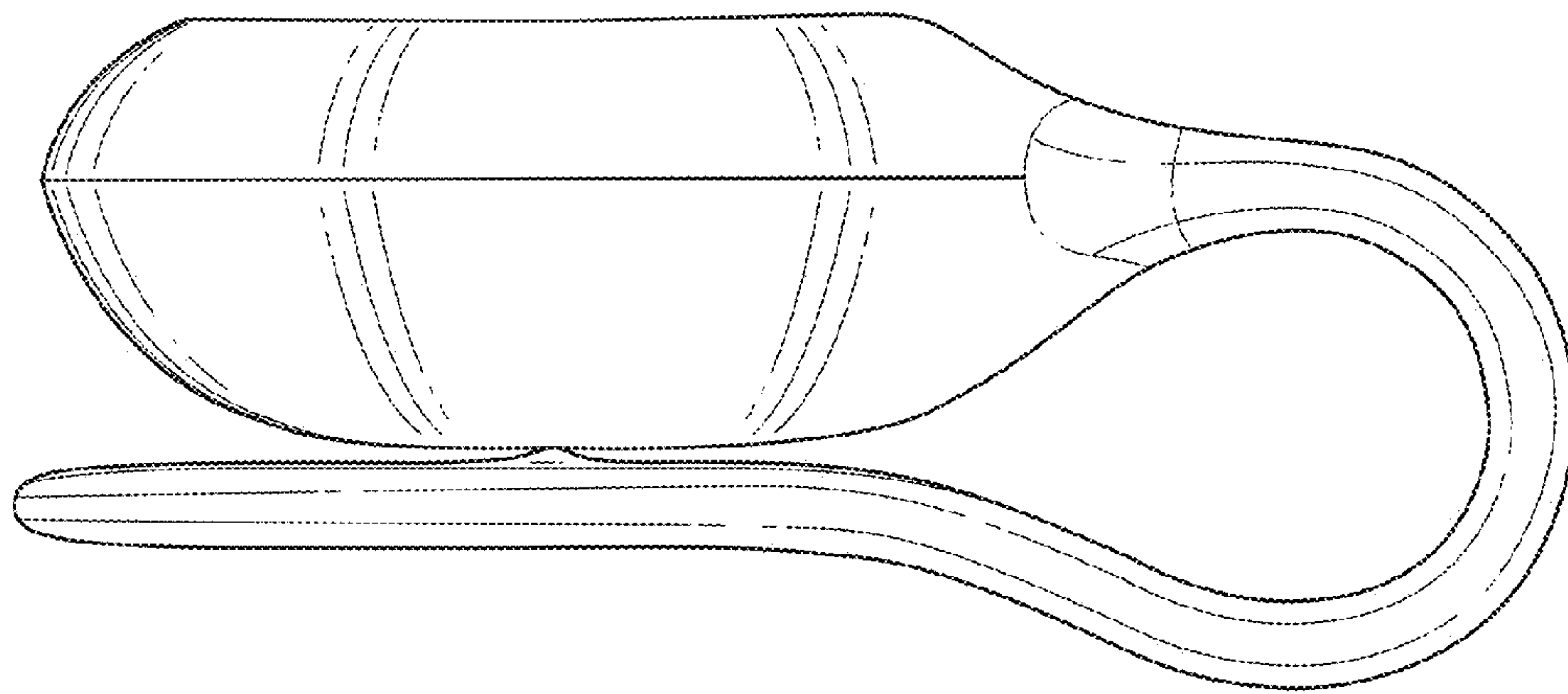


FIG. 5



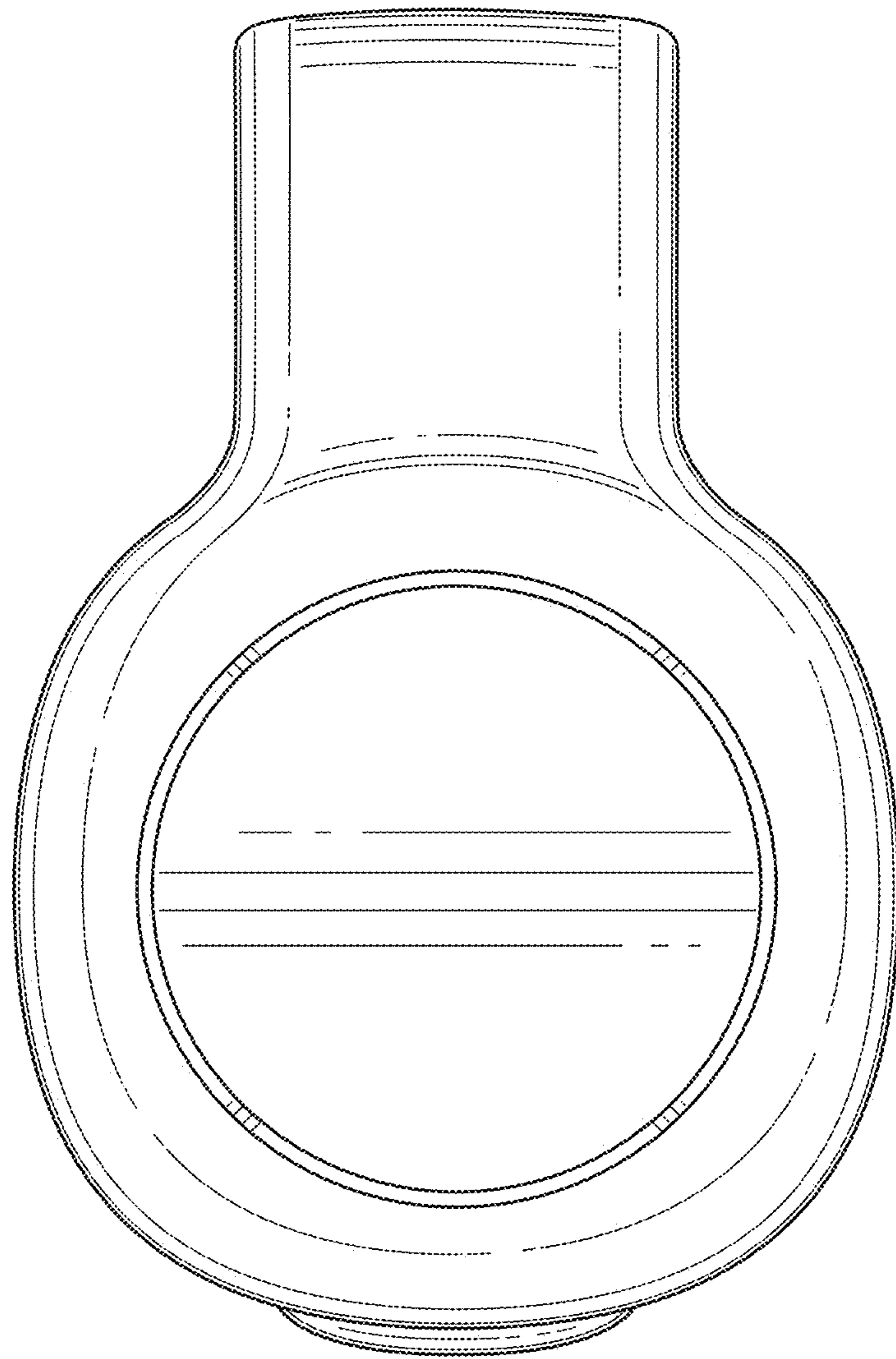


FIG. 6

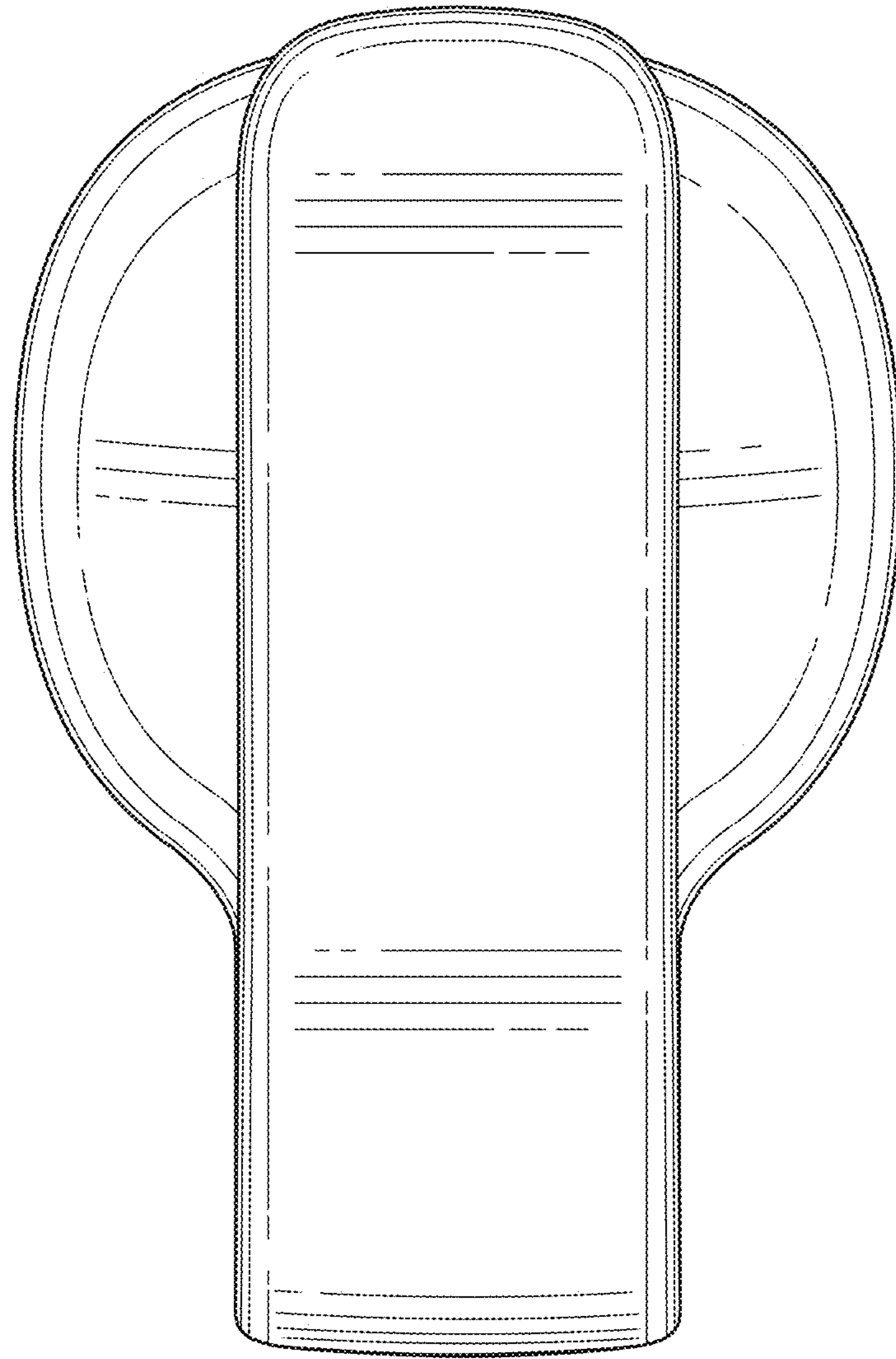


FIG. 7



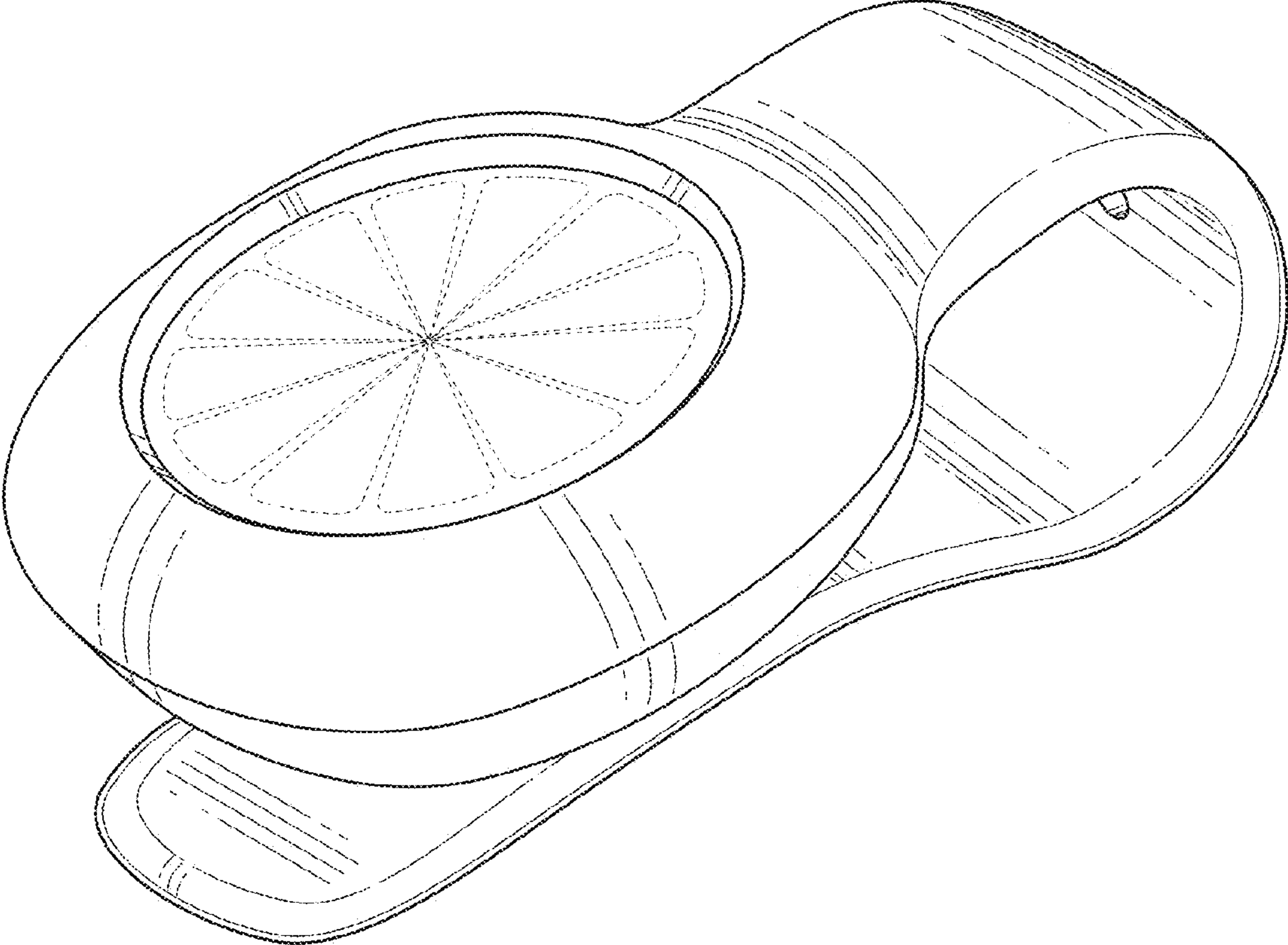


FIG. 8