



US00D730223S

(12) **United States Design Patent**
Behar

(10) **Patent No.:** **US D730,223 S**

(45) **Date of Patent:** **** May 26, 2015**

(54) **ACTIVITY TRACKING POD**

(71) Applicant: **AliphCom**, San Francisco, CA (US)

(72) Inventor: **Yves Albert Behar**, San Francisco, CA (US)

(73) Assignee: **ALIPHCOM**, San Francisco, CA (US)

(**) Term: **14 Years**

(21) Appl. No.: **29/508,187**

(22) Filed: **Nov. 4, 2014**

(51) **LOC (10) Cl.** **10-04**

(52) **U.S. Cl.**
USPC **D10/103; D10/70**

(58) **Field of Classification Search**

CPC G08G 1/096883; G08G 1/096872;
G08G 1/096775; G01C 21/16; G01C 21/3688;
G01C 21/30; G01V 8/20; G01J 5/02; G01J
5/023; G01J 5/24; G01J 5/10; G01J 5/20;
G01J 5/0235; G01J 5/08; G01J 5/0853;
G01J 5/33; G01J 5/34
USPC D10/30-39, 65, 70, 78, 97, 98, 103;
D11/3; D13/173-177; D14/138 R,
D14/203.5, 247, 338-340, 344, 346, 347;
D24/167, 168

See application file for complete search history.

(56) **References Cited**

U.S. PATENT DOCUMENTS

D476,581 S * 7/2003 Calvani et al. D10/30
D486,744 S * 2/2004 Houlihan D10/30
D490,739 S * 6/2004 Gavin D11/26
D495,675 S * 9/2004 Nuovo et al. D14/144
D709,204 S * 7/2014 Kovach et al. D24/187

* cited by examiner

Primary Examiner — Antoine D Davis

(74) *Attorney, Agent, or Firm* — Kilpatrick Townsend & Stockton, LLP

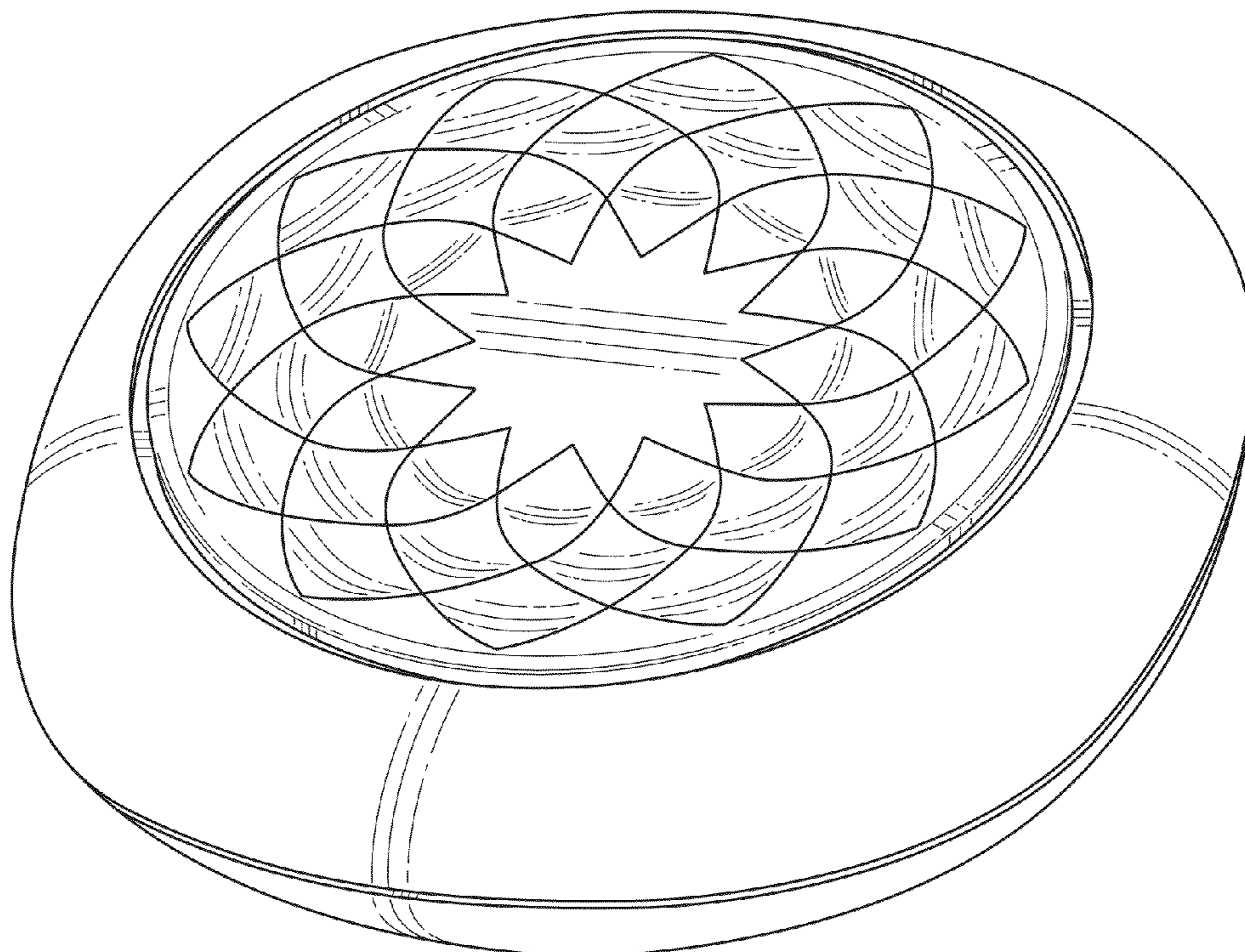
(57) **CLAIM**

The ornamental design for an activity tracking pod, as shown and described.

DESCRIPTION

FIG. 1 is a front perspective view of an activity tracking pod showing my new design;
FIG. 2 is a top view thereof;
FIG. 3 is a bottom view thereof;
FIG. 4 is a front elevational view thereof;
FIG. 5 is a back elevational view thereof;
FIG. 6 is a left side elevational view thereof;
FIG. 7 is a right side elevational view thereof; and,
FIG. 8 is a cross section view thereof as referenced in FIG. 2. The broken line showing of structural features is included for the purpose of illustrating non-claimed subject matter and forms no part of the claimed design.

1 Claim, 8 Drawing Sheets



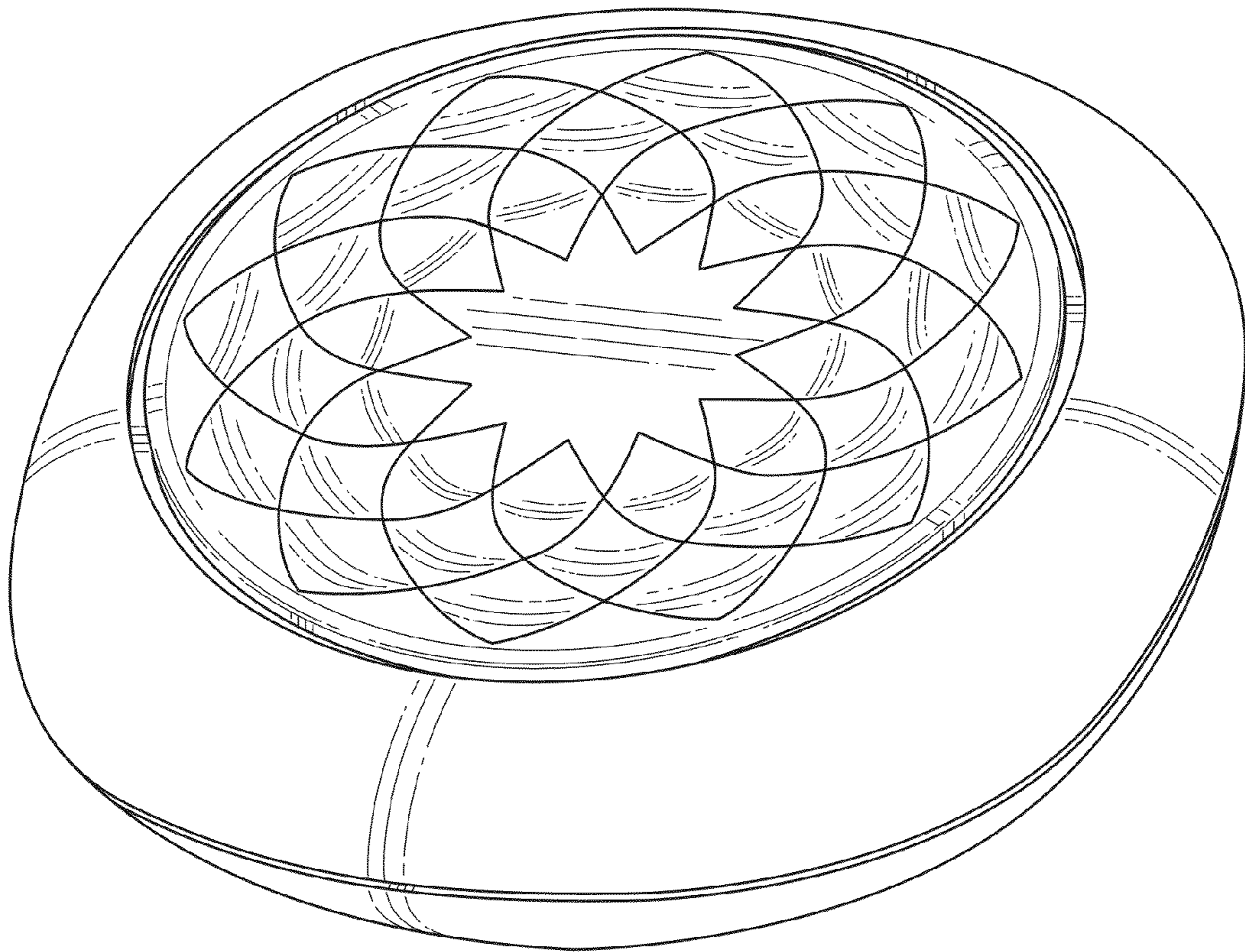


FIG. 1

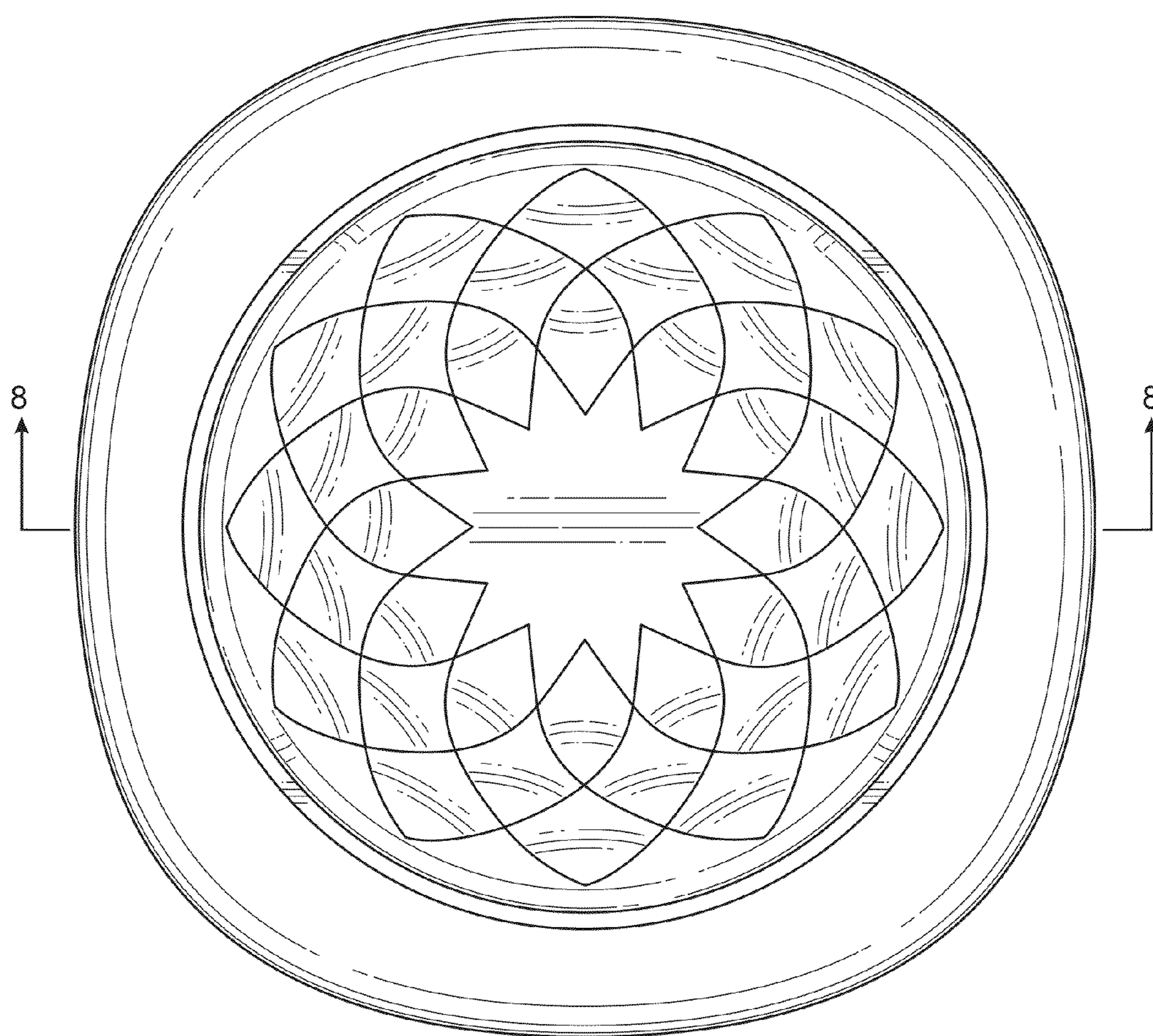


FIG. 2

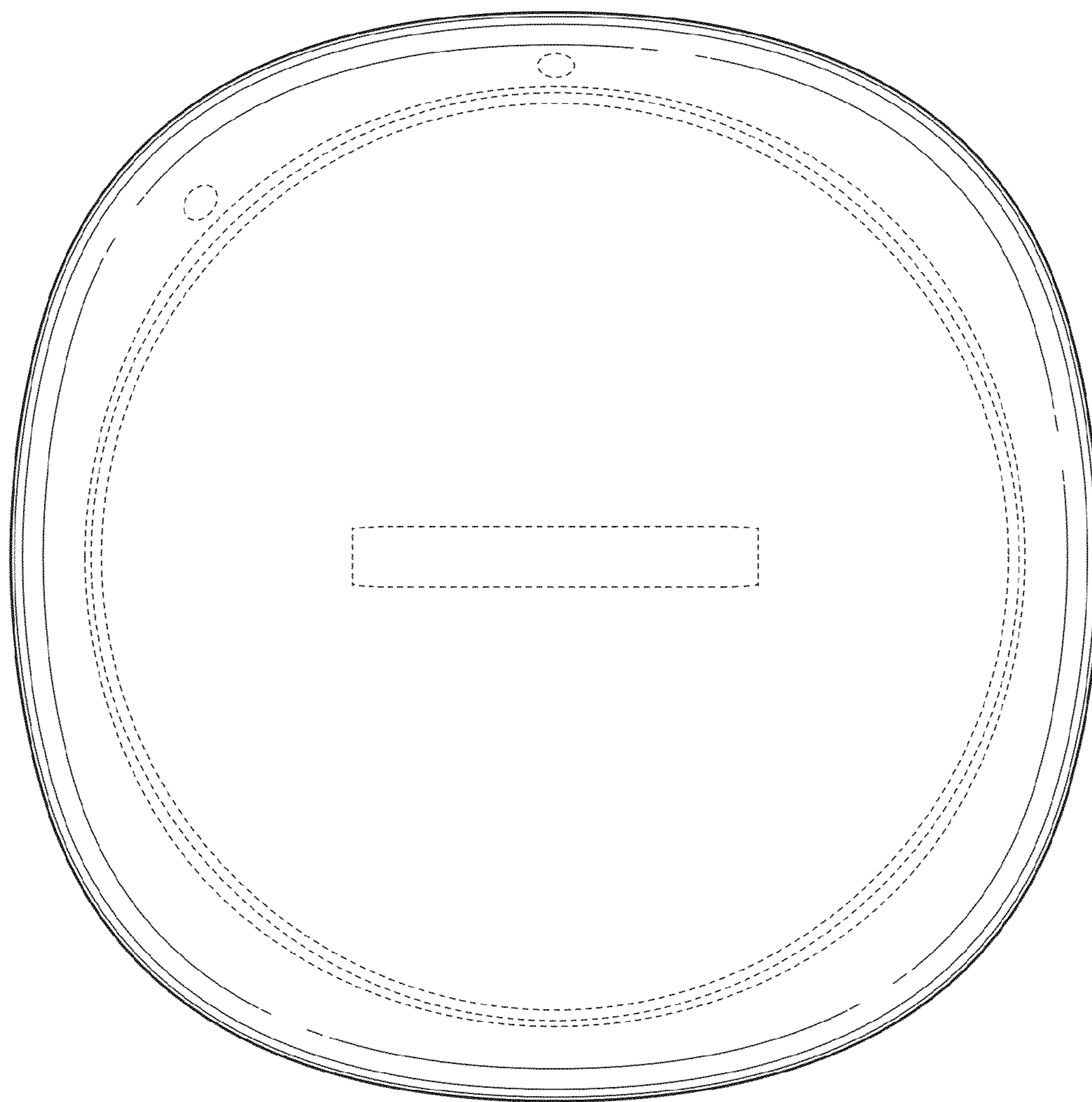


FIG. 3

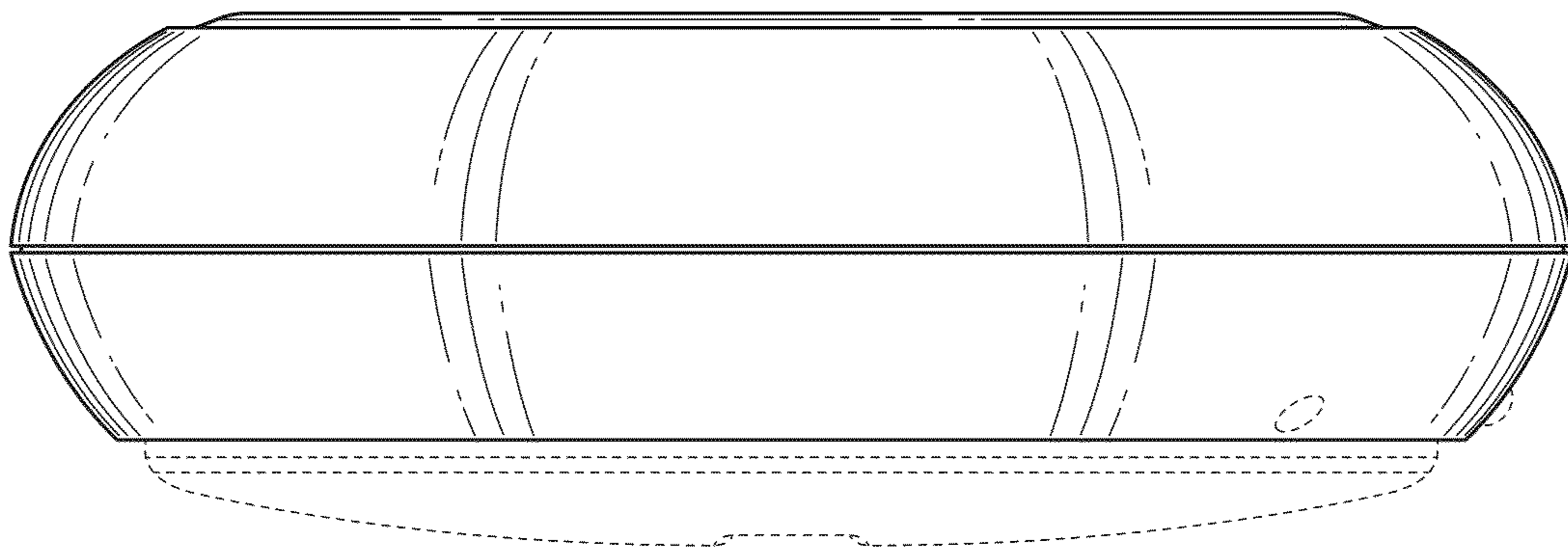


FIG. 4

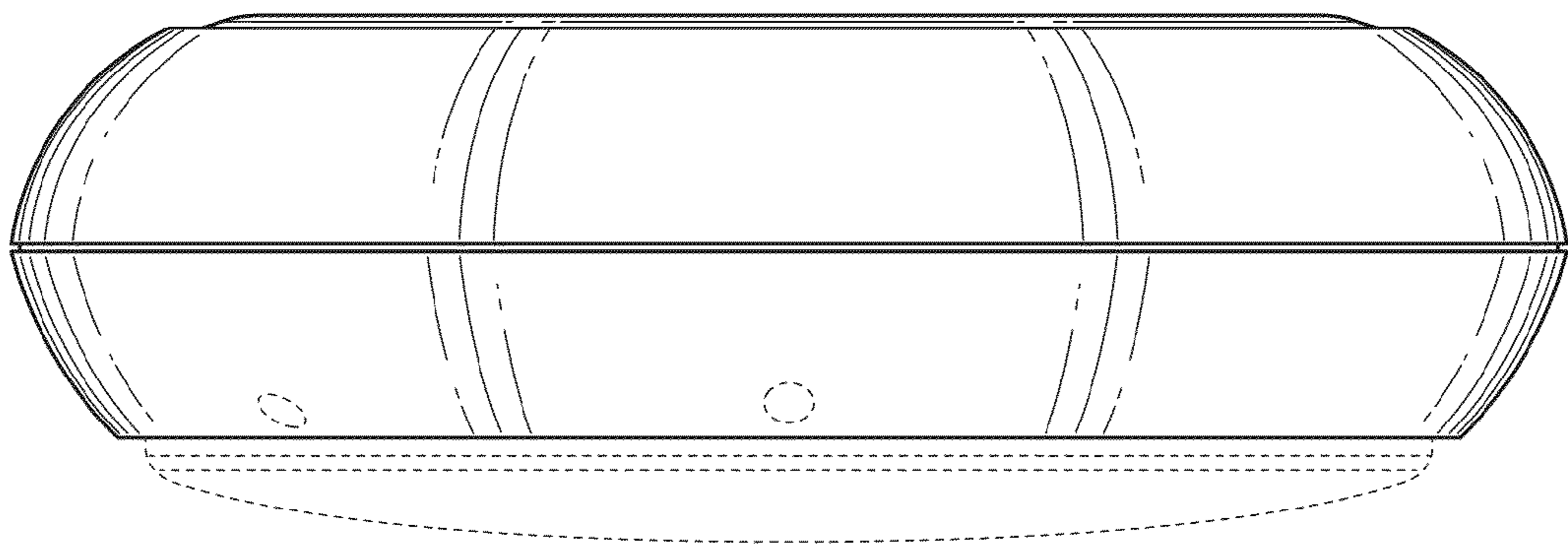


FIG. 5

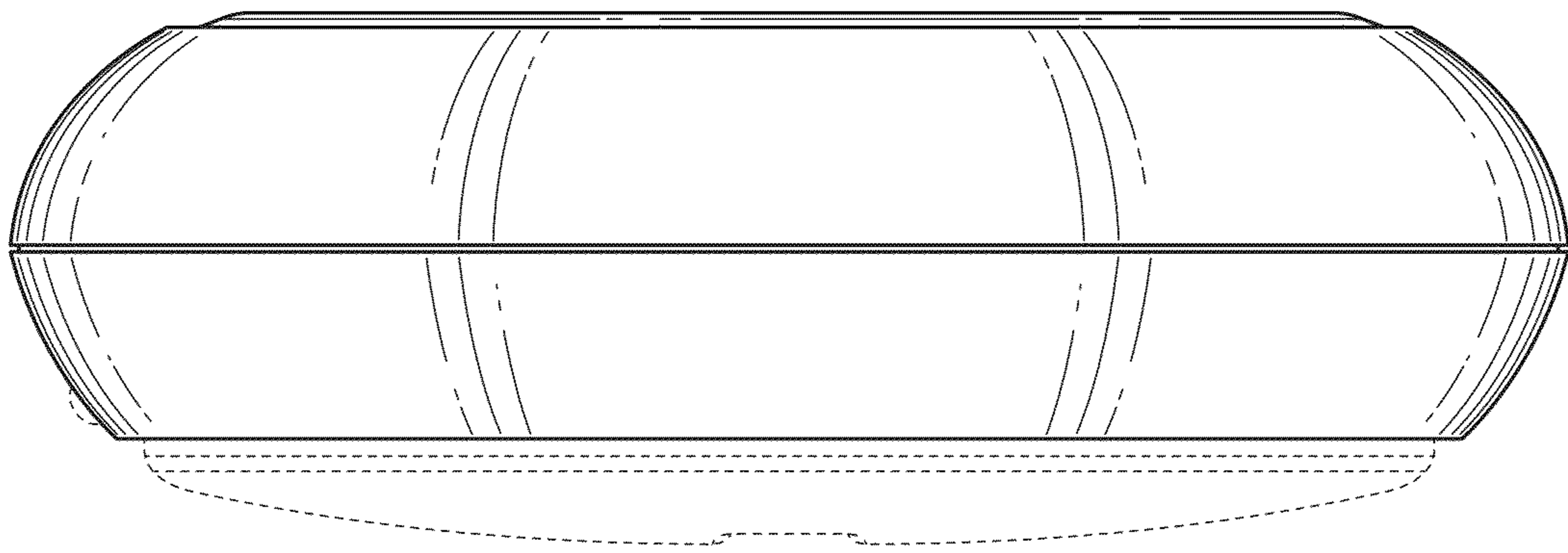


FIG. 6

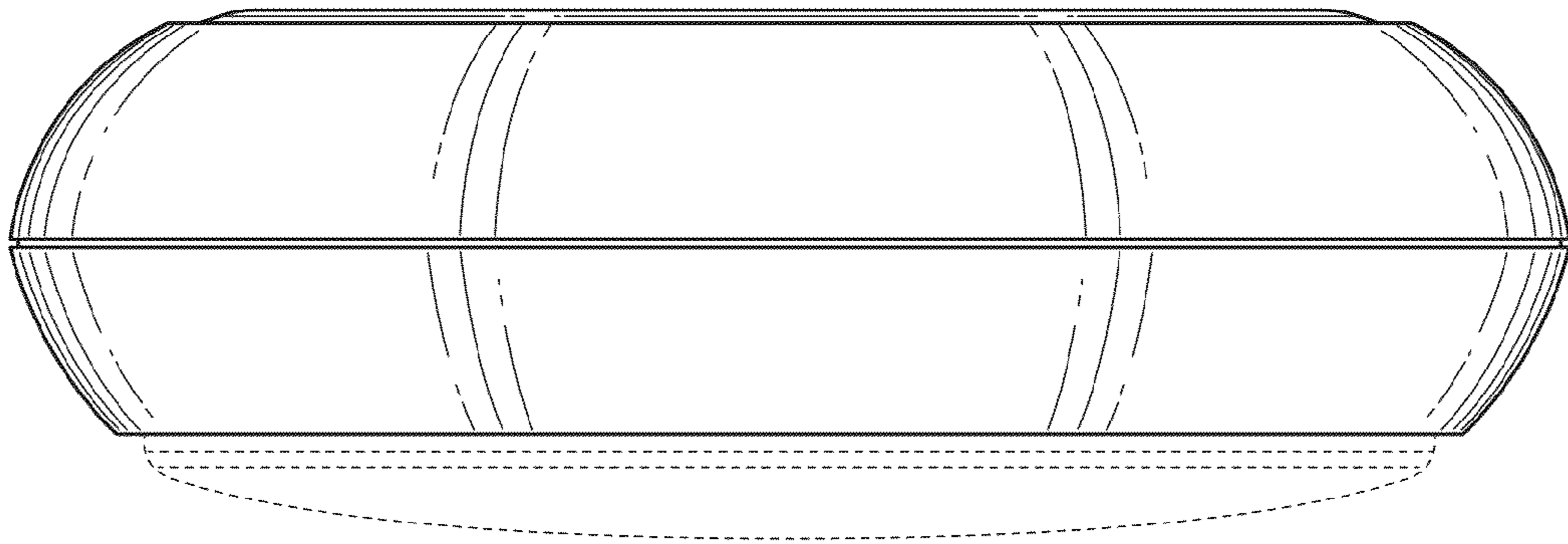


FIG. 7



FIG. 8